



US00D725249S

(12) **United States Design Patent**
O'Brien

(10) **Patent No.:** **US D725,249 S**

(45) **Date of Patent:** **** *Mar. 24, 2015**

(54) **BLOWER ASSEMBLY**

(71) Applicant: **TSI Products, Inc.**, Arlington, TX (US)

(72) Inventor: **Stephen William O'Brien**, Fort Worth, TX (US)

(73) Assignee: **TSI Products, Inc.**, Arlington, TX (US)

(*) Notice: This patent is subject to a terminal disclaimer.

(**) Term: **14 Years**

(21) Appl. No.: **29/449,639**

(22) Filed: **Mar. 15, 2013**

(51) **LOC (10) Cl.** **12-16**

(52) **U.S. Cl.**
USPC **D23/325; D23/383**

(58) **Field of Classification Search**

CPC B60H 1/00528; B60H 3/06; B60H 1/0002;
F24F 1/0007; F24F 13/20; F04D 17/04;
H02K 5/24
USPC D23/351, 354, 364, 365, 370, 381-387,
D23/393, 499, 335, 324-328; 415/208.1,
415/108, 129-128, 196, 203-206,
415/213.1-215.1, 94; 416/158, 178;
454/349, 354, 329, 139, 145; 417/411,
417/423.5; D8/29.1, 29.2, 30; D32/15;
D28/13, 15; D24/110; 62/244, 419,
62/426; D12/400

See application file for complete search history.

(56) **References Cited**

U.S. PATENT DOCUMENTS

D118,964 S *	2/1940	Redmond	D23/326
3,231,176 A *	1/1966	Bowen	417/350
3,303,666 A *	2/1967	Toper	62/426
D208,404 S *	8/1967	Dixon	D23/325
D216,023 S *	11/1969	Dixon	D23/325
D216,886 S *	3/1970	Myers	D23/325
D221,148 S *	7/1971	Cary	D23/325

(Continued)

OTHER PUBLICATIONS

K3G097 Power (emb-Papst). embpapst.com. [online] 1 page. Uploaded Oct. 28, 2009 [retrieved on Nov. 4, 2014]. Retrieved from Internet: <http://www.embpapst.com/de/press/press_releases/press_archive/press_archive_detail_1355.php>.*

Primary Examiner — Susan Bennett Hattan

Assistant Examiner — Marie Fast Horse

(74) *Attorney, Agent, or Firm* — Hitchcock Evert LLP

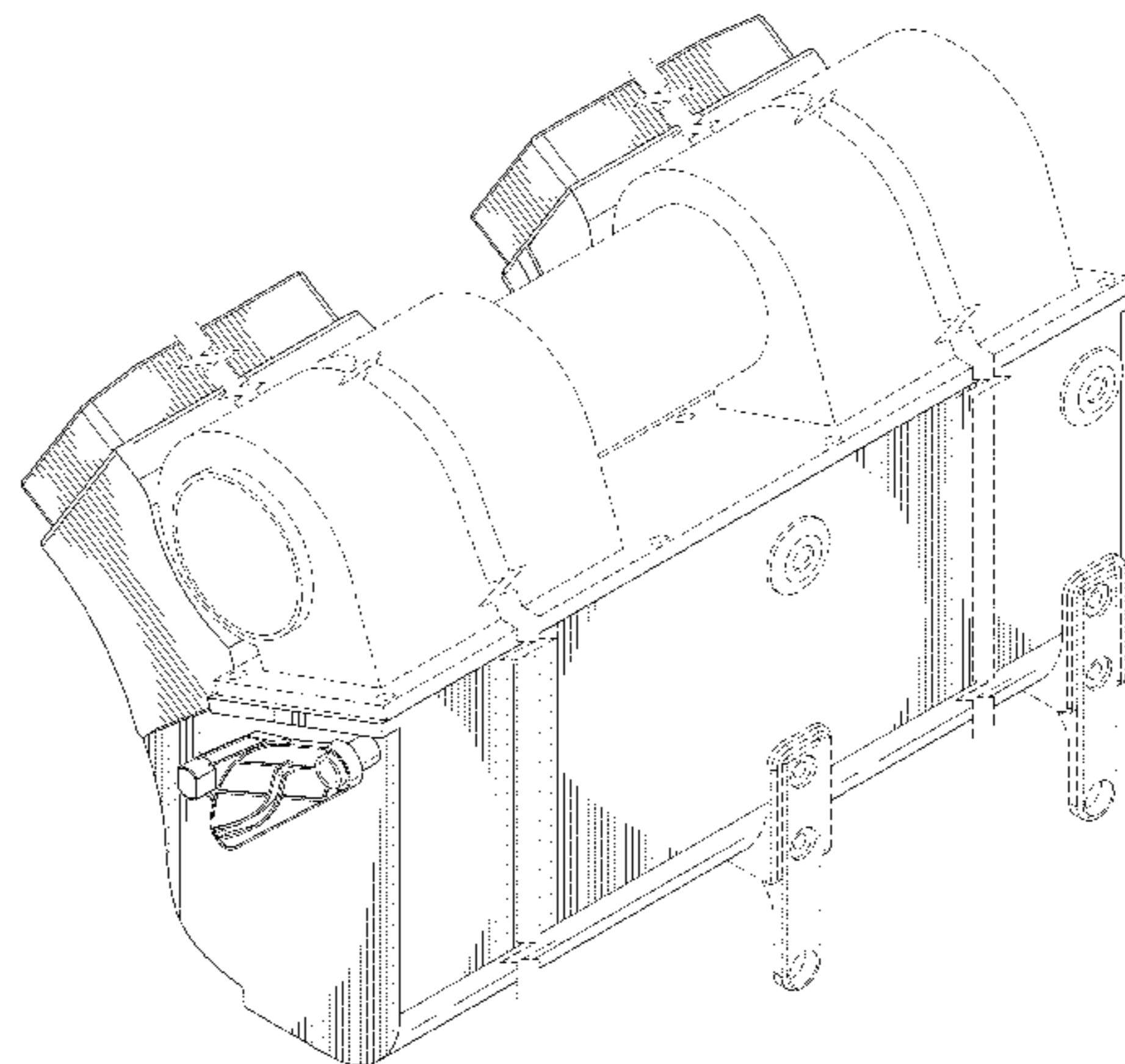
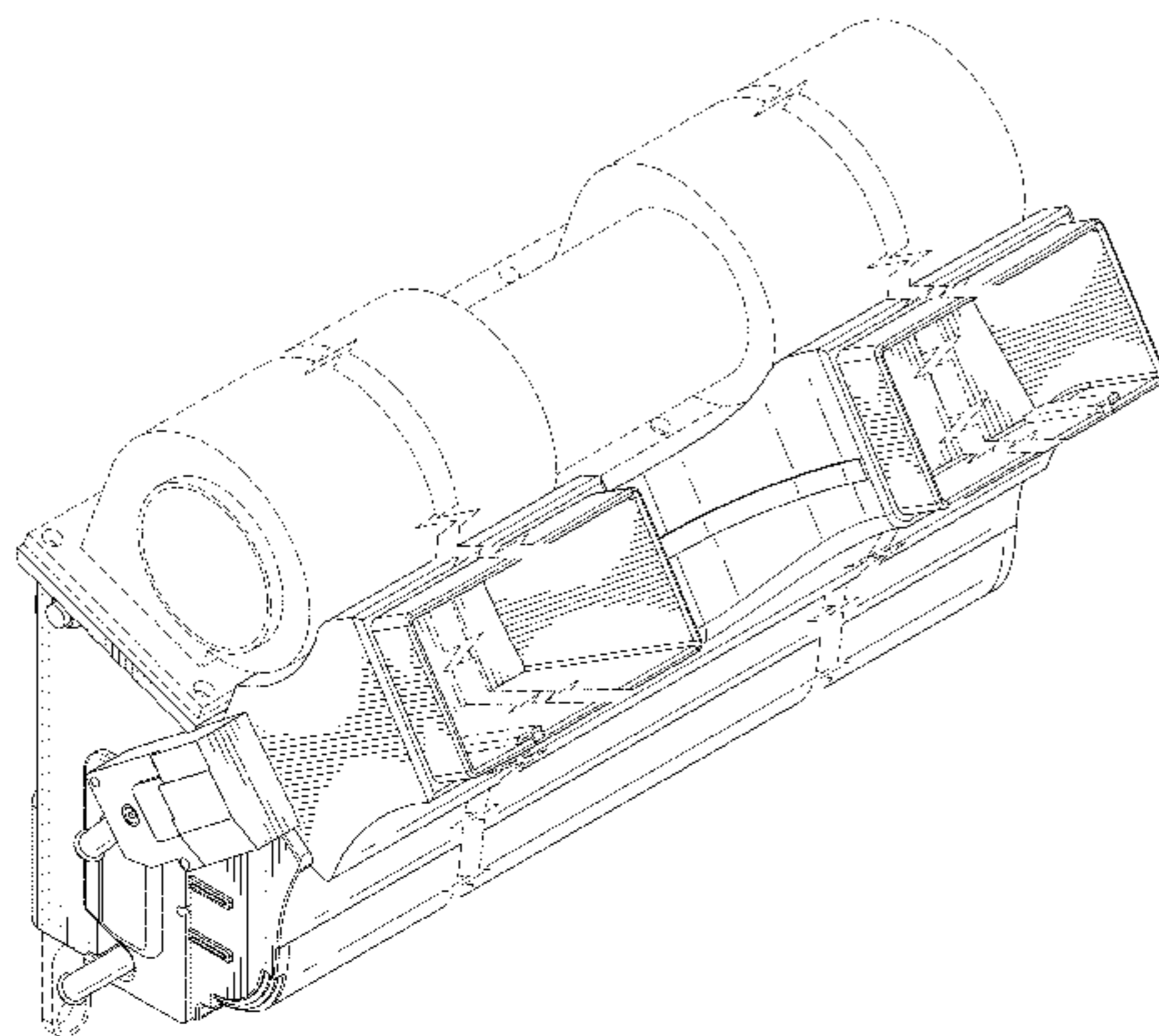
(57) **CLAIM**

The ornamental design for a blower assembly, as shown and described.

DESCRIPTION

FIG. 1 is a perspective view from the top-right of the blower assembly;
FIG. 2 is a back view thereof;
FIG. 3 is a front view thereof;
FIG. 4 is a left side view thereof;
FIG. 5 is a right side view thereof;
FIG. 6 is a top view thereof; and
FIG. 7 is a bottom view thereof;
FIG. 8 is a perspective view from the top-left thereof.
FIG. 9 is a perspective view from the top-right of a second embodiment of the blower assembly;
FIG. 10 is a back view thereof;
FIG. 11 is a front view thereof;
FIG. 12 is a left side view thereof;
FIG. 13 is a right side view thereof;
FIG. 14 is a top view thereof; and
FIG. 15 is a bottom view thereof; and
FIG. 16 is a perspective view from the top-left thereof.
The broken lines depict parts of the blower assembly that form no part of the claimed design. The breakaway lines wrapping vertically around segments of the blower assembly indicate the appearance of any portion of the article between the break lines forms no part of the claimed design.

1 Claim, 16 Drawing Sheets



(56)

References Cited

U.S. PATENT DOCUMENTS

3,846,040 A * 11/1974 Dennis 415/204
 3,874,191 A * 4/1975 Hudson 62/426
 D247,306 S * 2/1978 Magee D23/325
 4,171,190 A * 10/1979 Hudson 417/350
 D290,747 S * 7/1987 Tigner et al. D23/325
 5,308,224 A * 5/1994 Olivero et al. 415/53.1
 D363,980 S * 11/1995 Roach D23/325
 5,474,422 A * 12/1995 Sullivan 415/206
 D367,925 S * 3/1996 Smilo D23/370
 D380,043 S * 6/1997 Chiu et al. D23/370
 D447,795 S * 9/2001 Hudson D23/327
 6,385,984 B2 * 5/2002 Aoki 62/244
 6,651,453 B2 * 11/2003 Klingler et al. 62/244

D512,500 S * 12/2005 Wilson, Jr. D23/383
 D512,501 S * 12/2005 Wilson, Jr. D23/383
 D537,517 S * 2/2007 Hancock D23/383
 D546,438 S * 7/2007 Demirdjian et al. D23/383
 D593,192 S * 5/2009 Spaggiari D23/370
 D609,323 S * 2/2010 Spaggiari D23/370
 8,240,164 B2 * 8/2012 Tokunaga et al. 62/244
 D687,137 S * 7/2013 Nemes D23/332
 2003/0136139 A1 * 7/2003 Matsunaga et al. 62/244
 2003/0143941 A1 * 7/2003 Fujiwara 454/139
 2006/0245920 A1 * 11/2006 Hou 415/206
 2011/0138844 A1 * 6/2011 Yamada et al. 62/419
 2012/0076648 A1 * 3/2012 McBride et al. 415/204
 2013/0101449 A1 * 4/2013 Dickinson et al. 417/423.7
 2014/0271166 A1 * 9/2014 Ghosh et al. 415/204

* cited by examiner

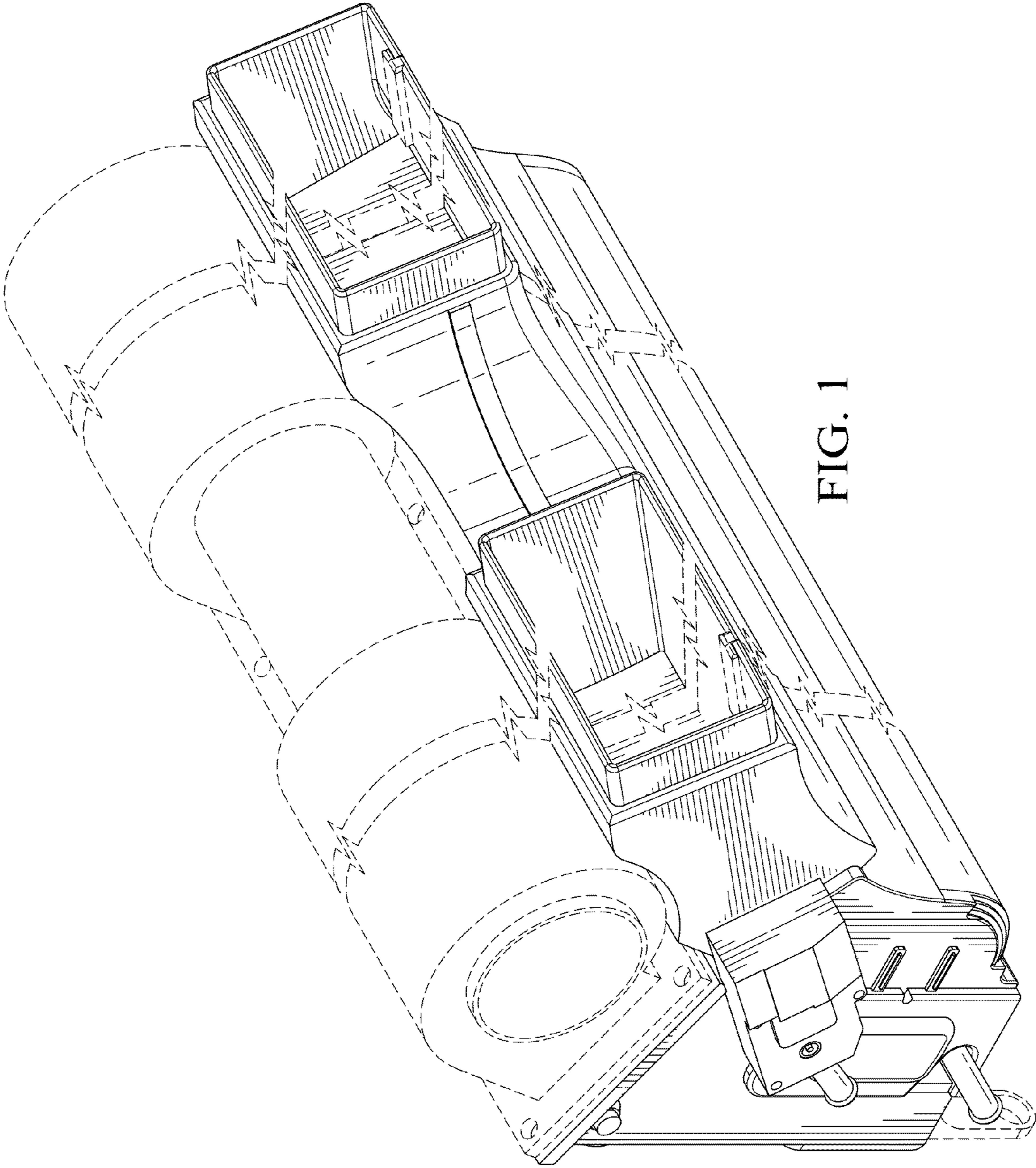
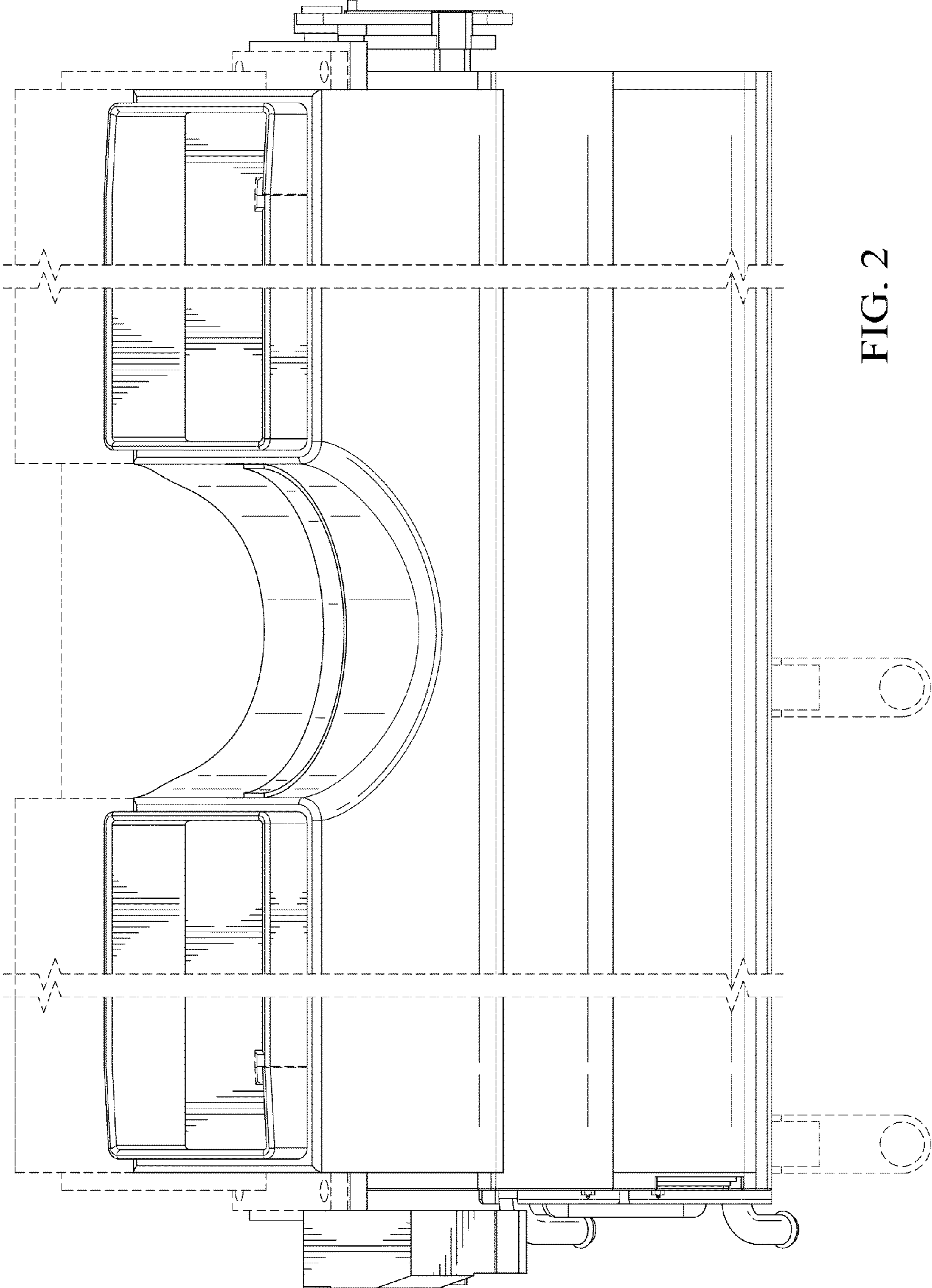


FIG. 1



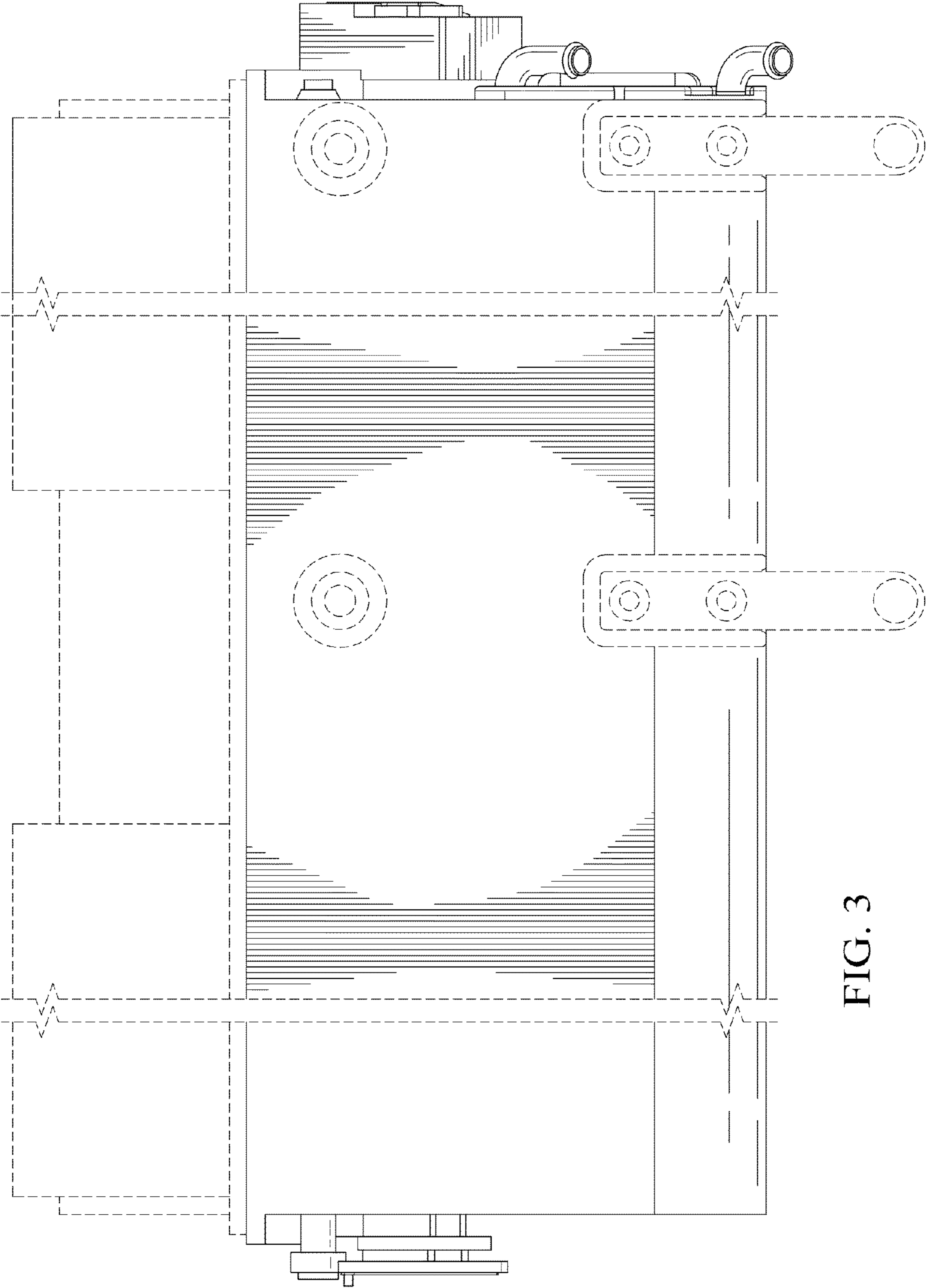


FIG. 3

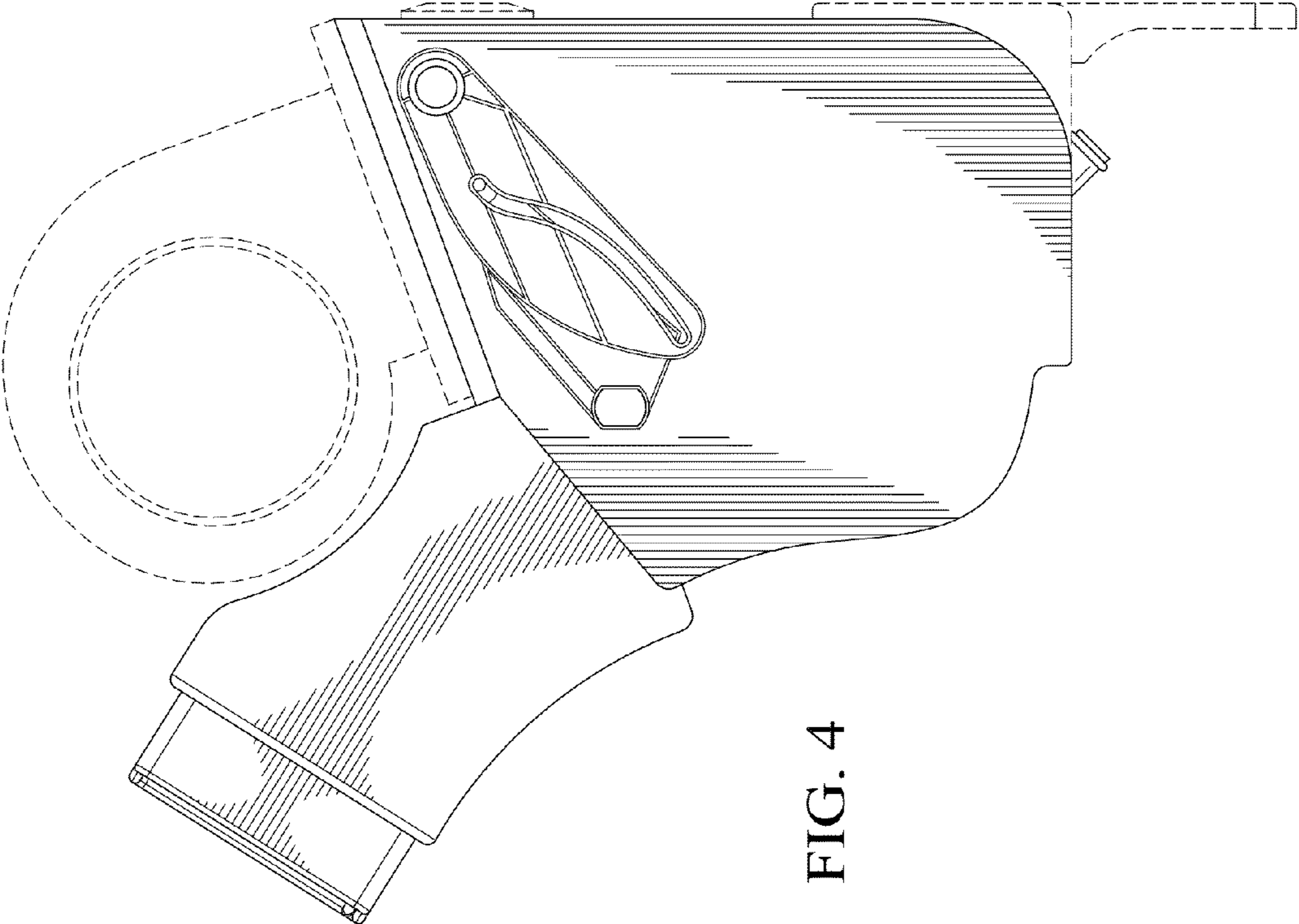


FIG. 4

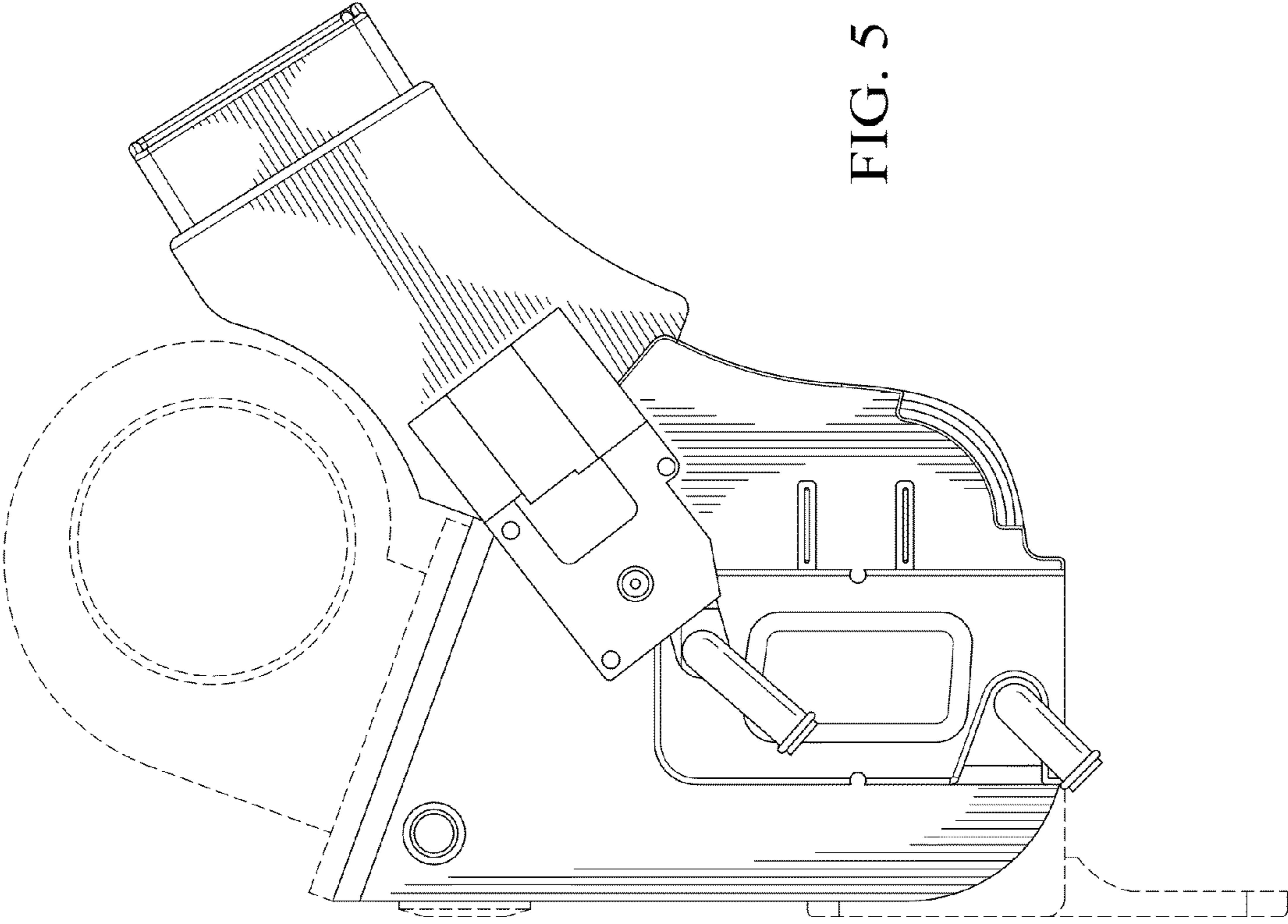


FIG. 5

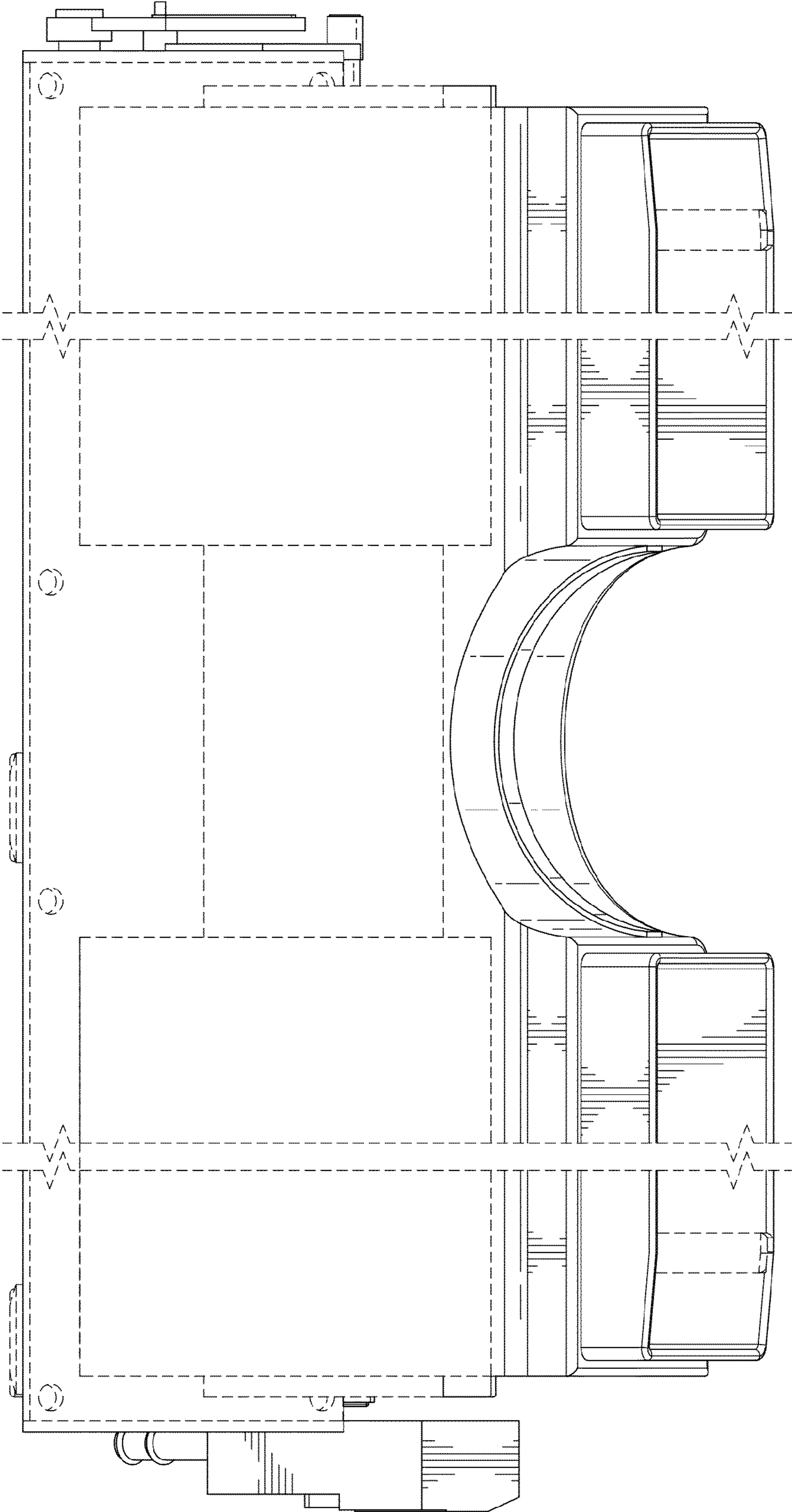


FIG. 6

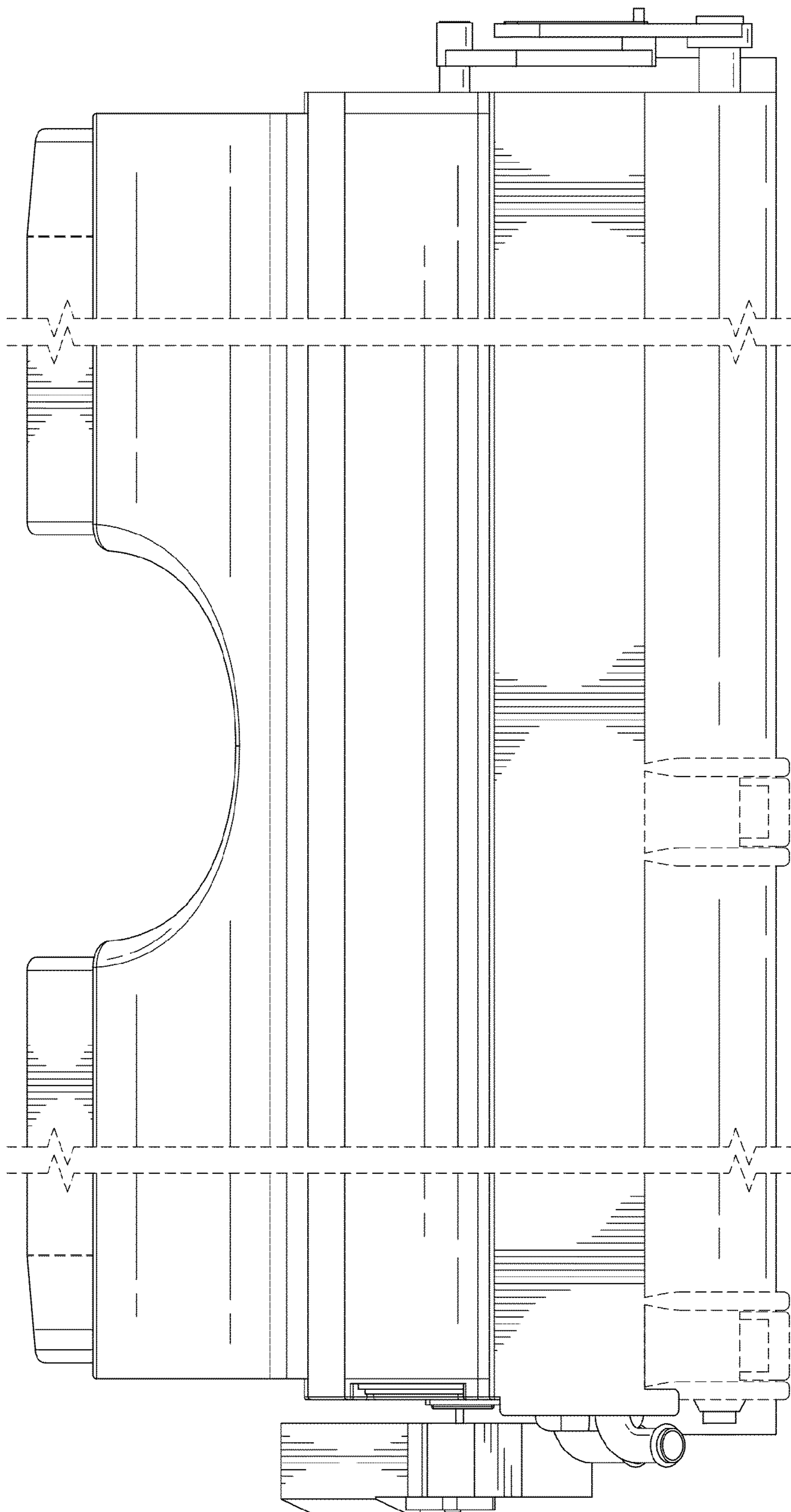


FIG. 7

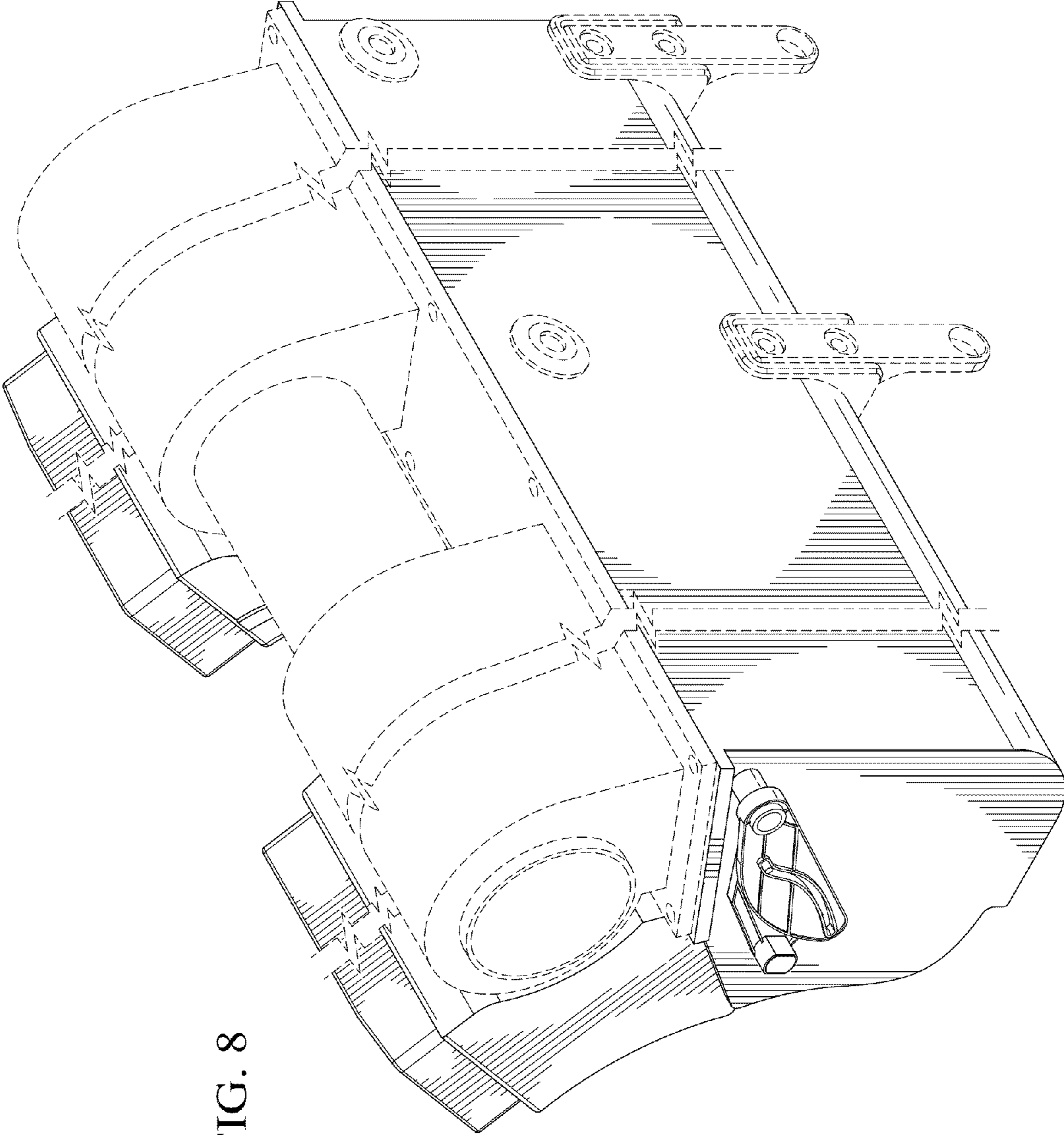


FIG. 8

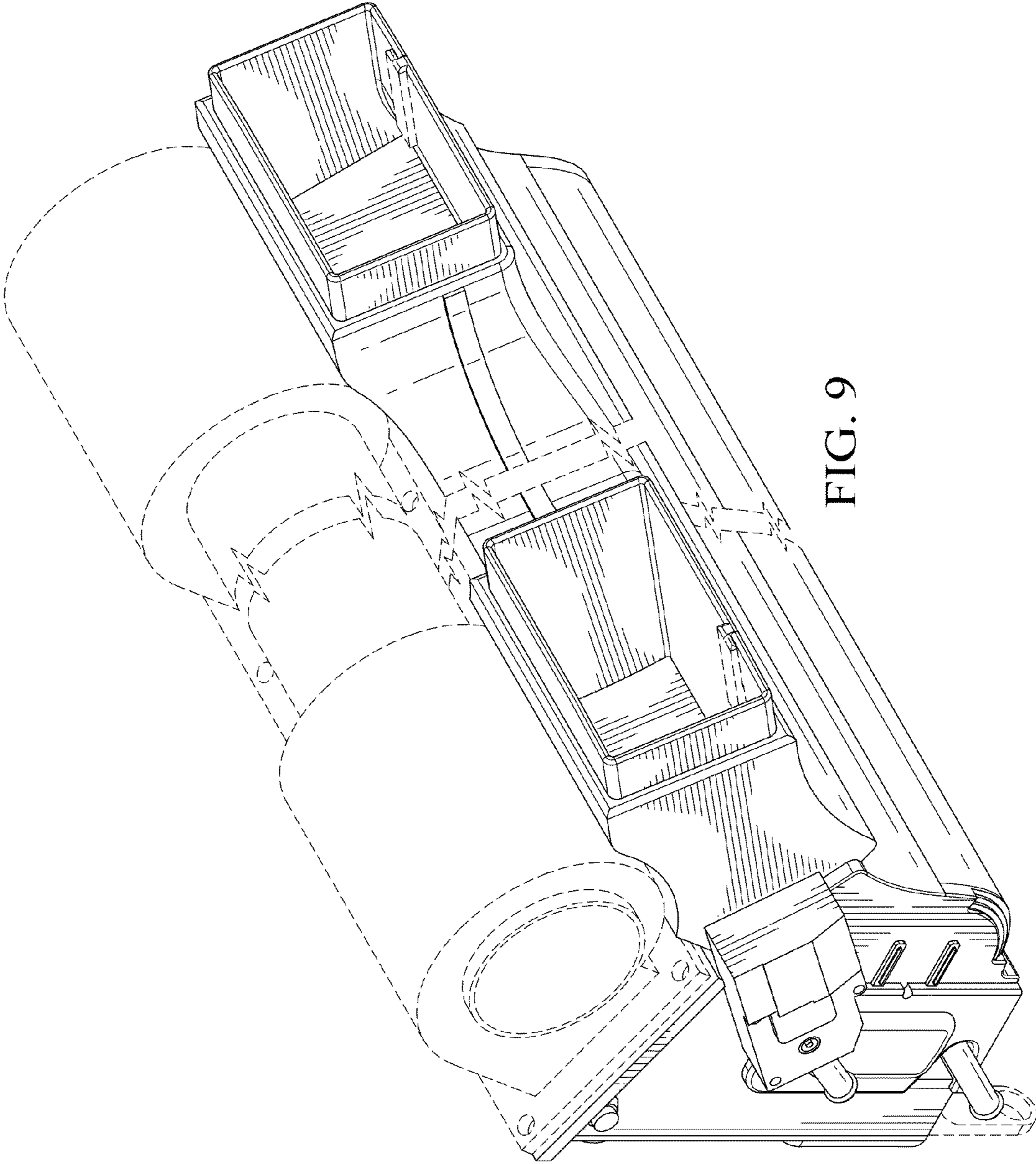


FIG. 9

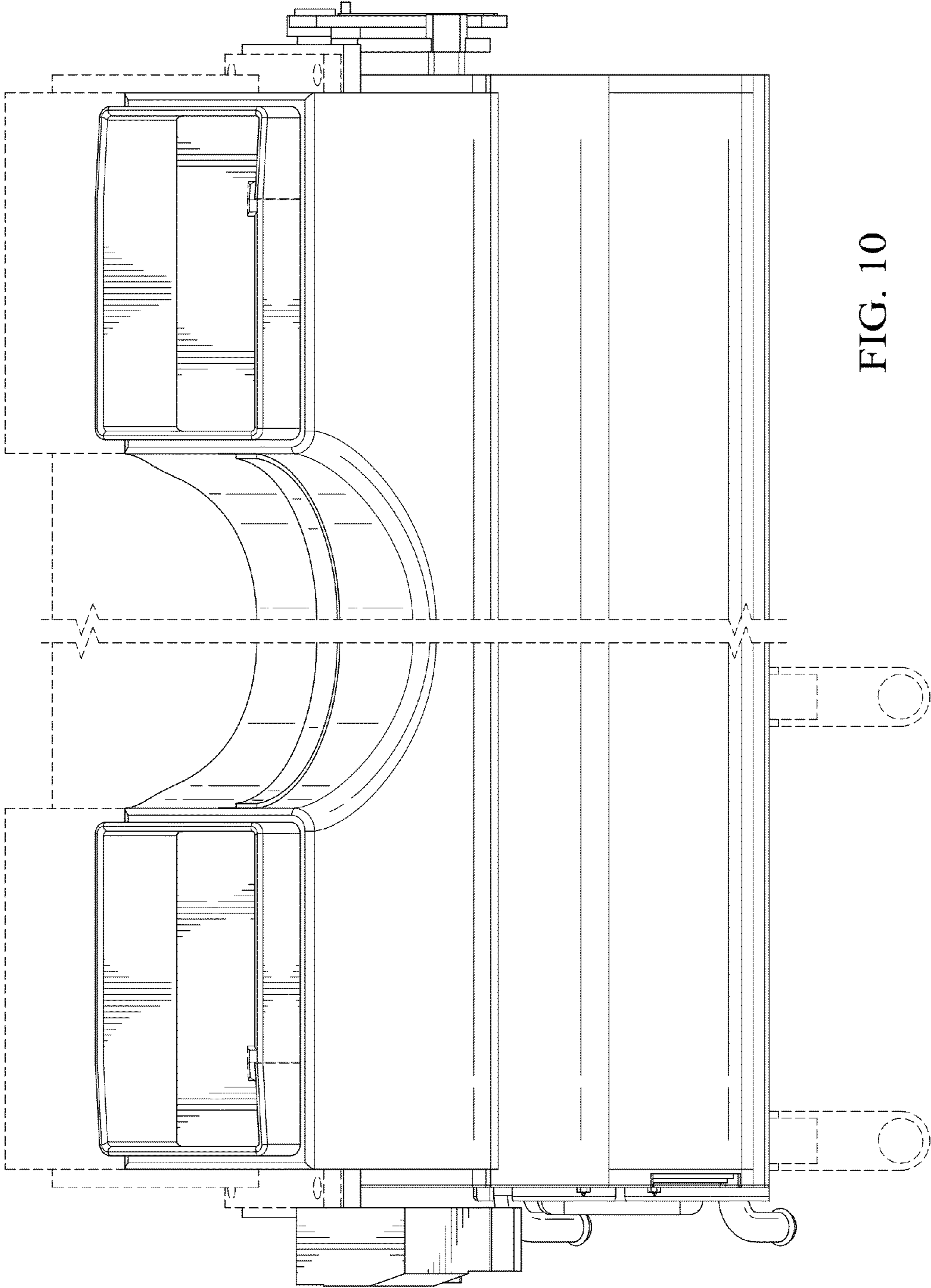


FIG. 10

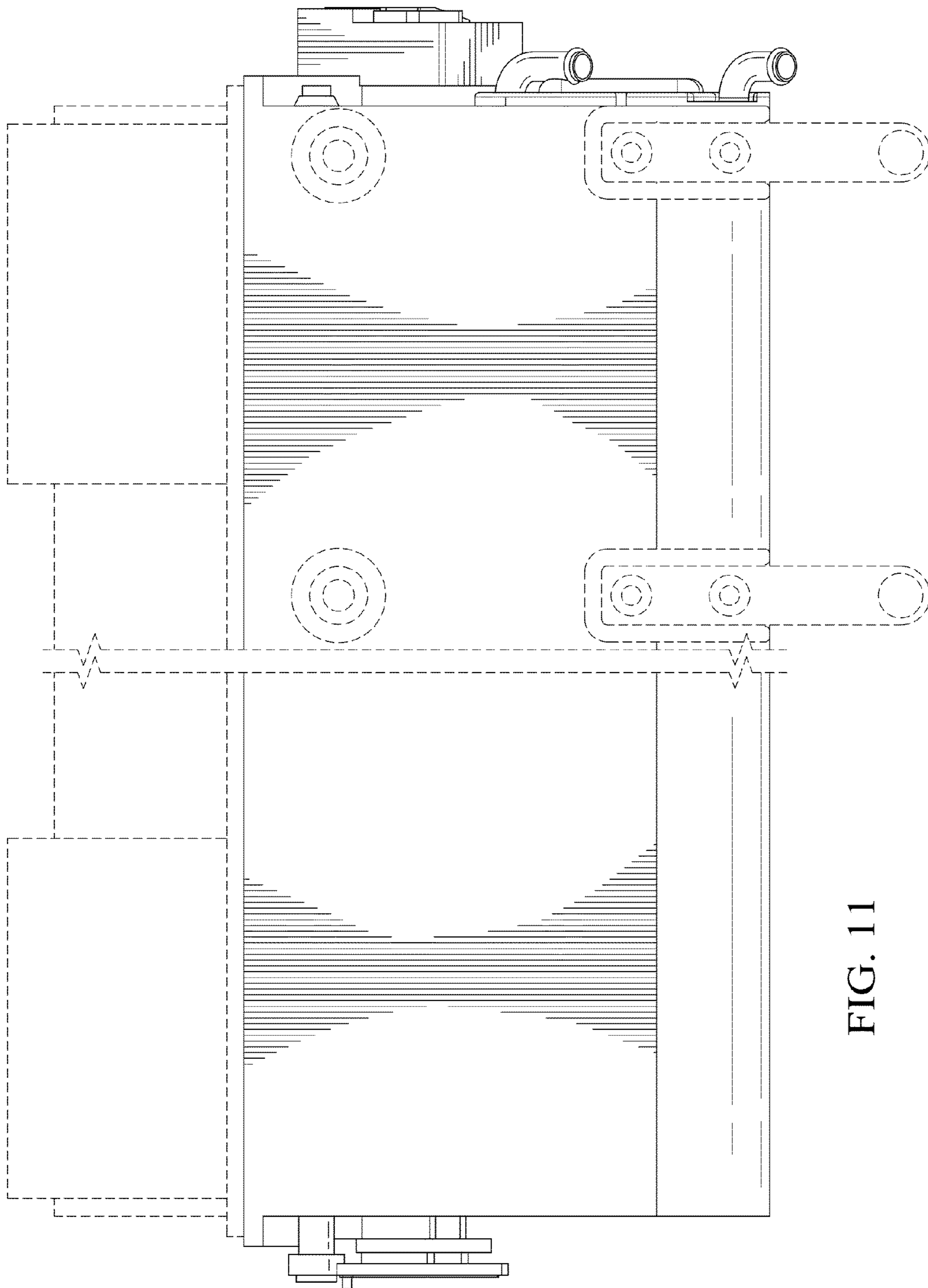


FIG. 11

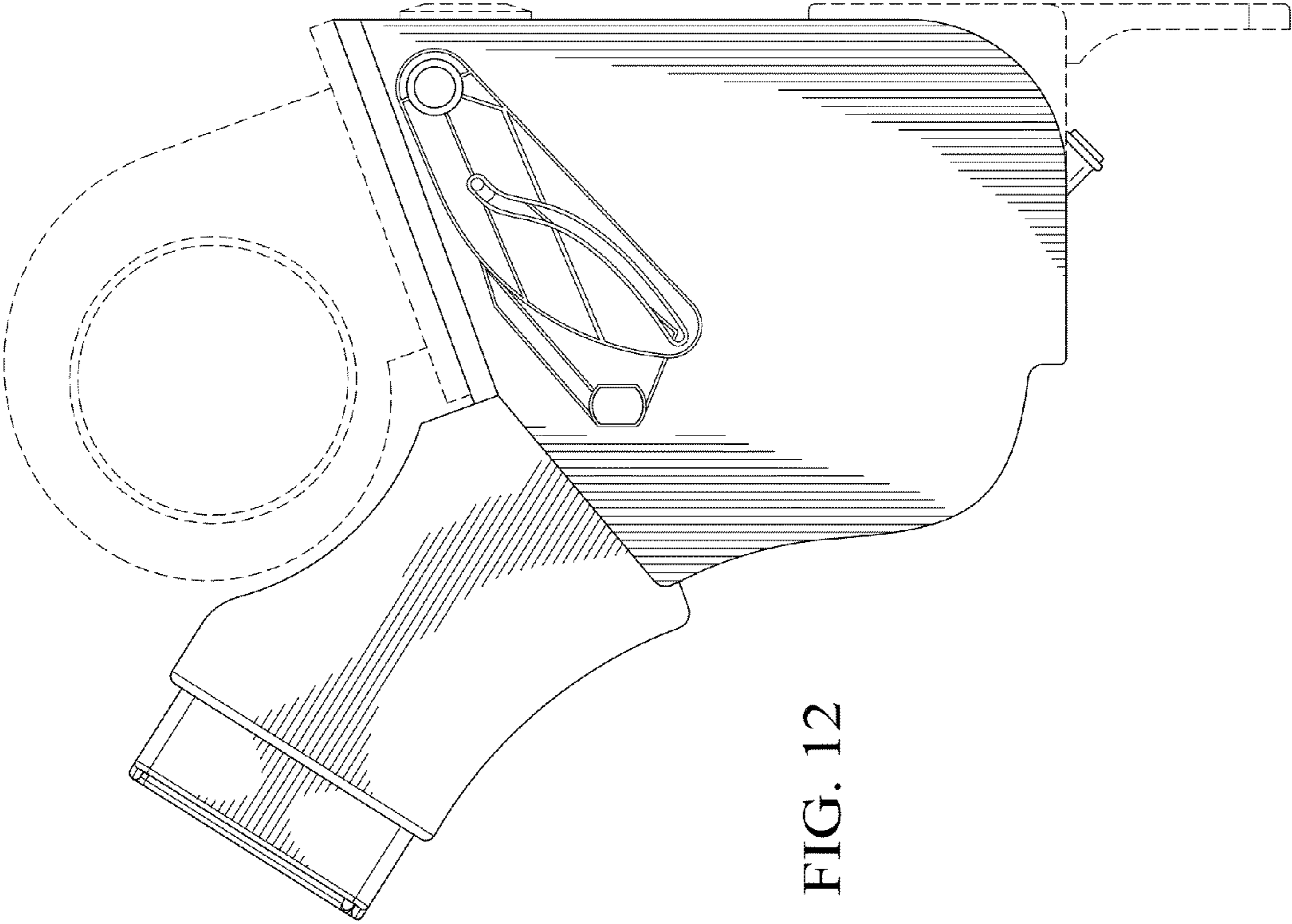


FIG. 12

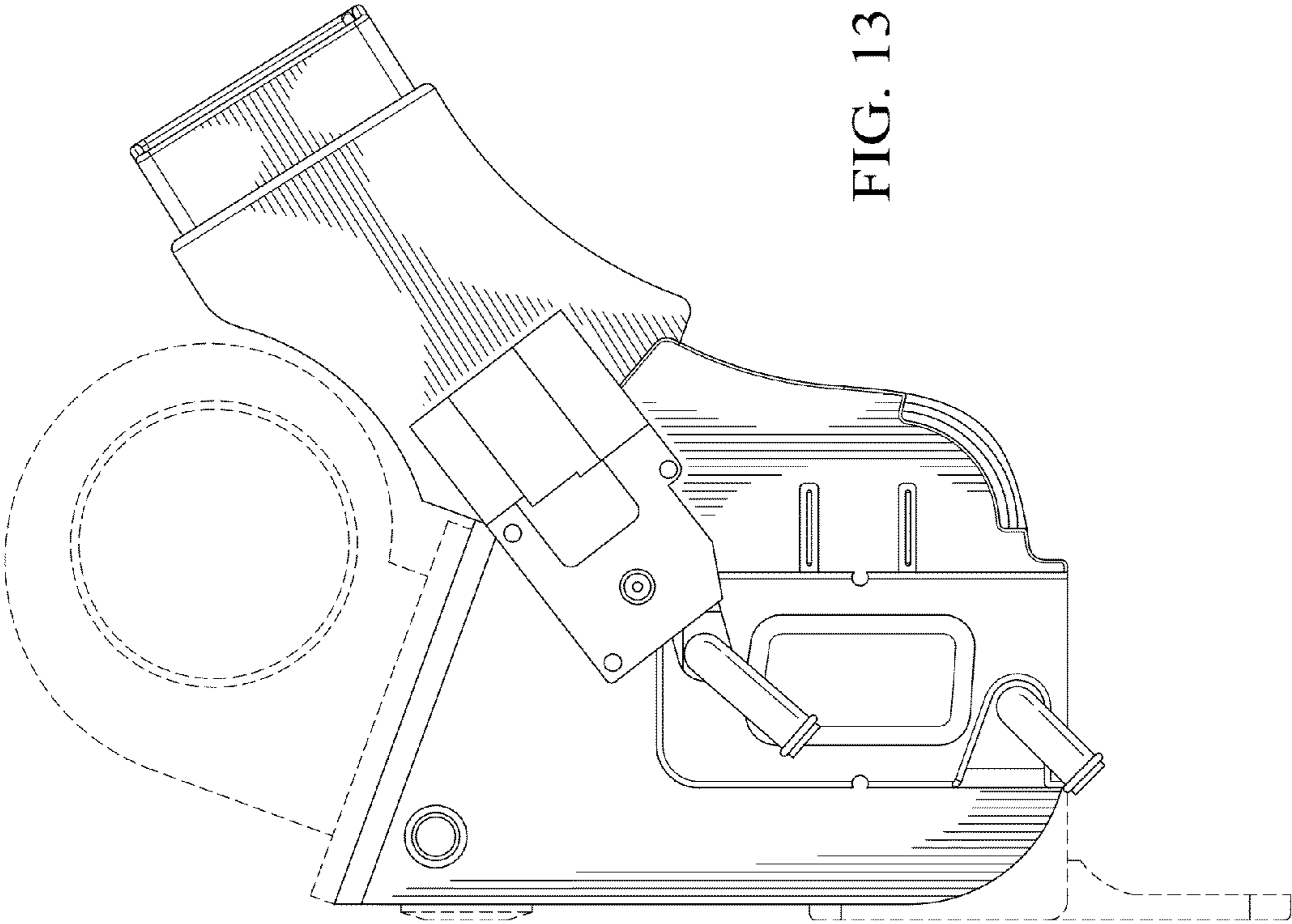


FIG. 13

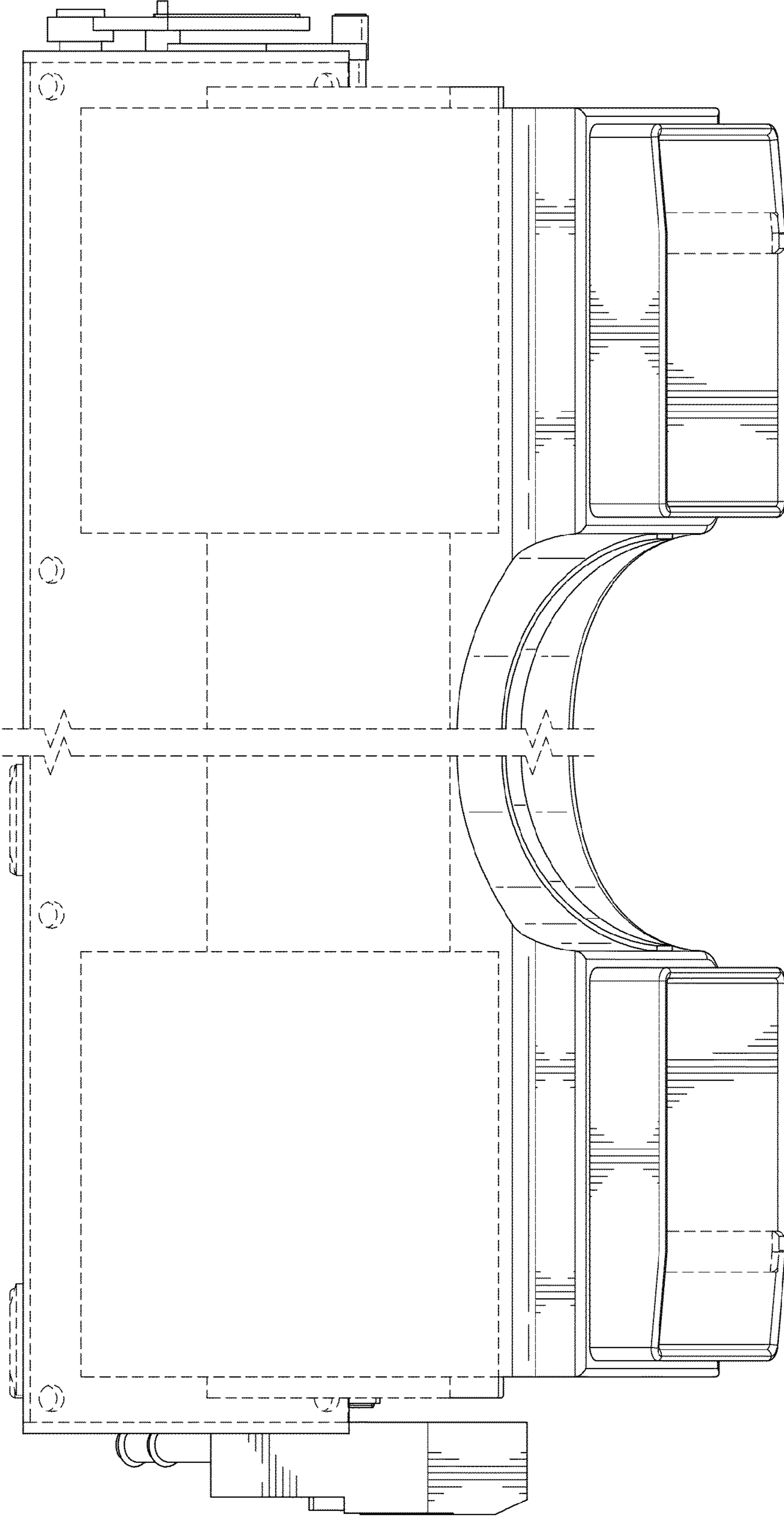


FIG. 14

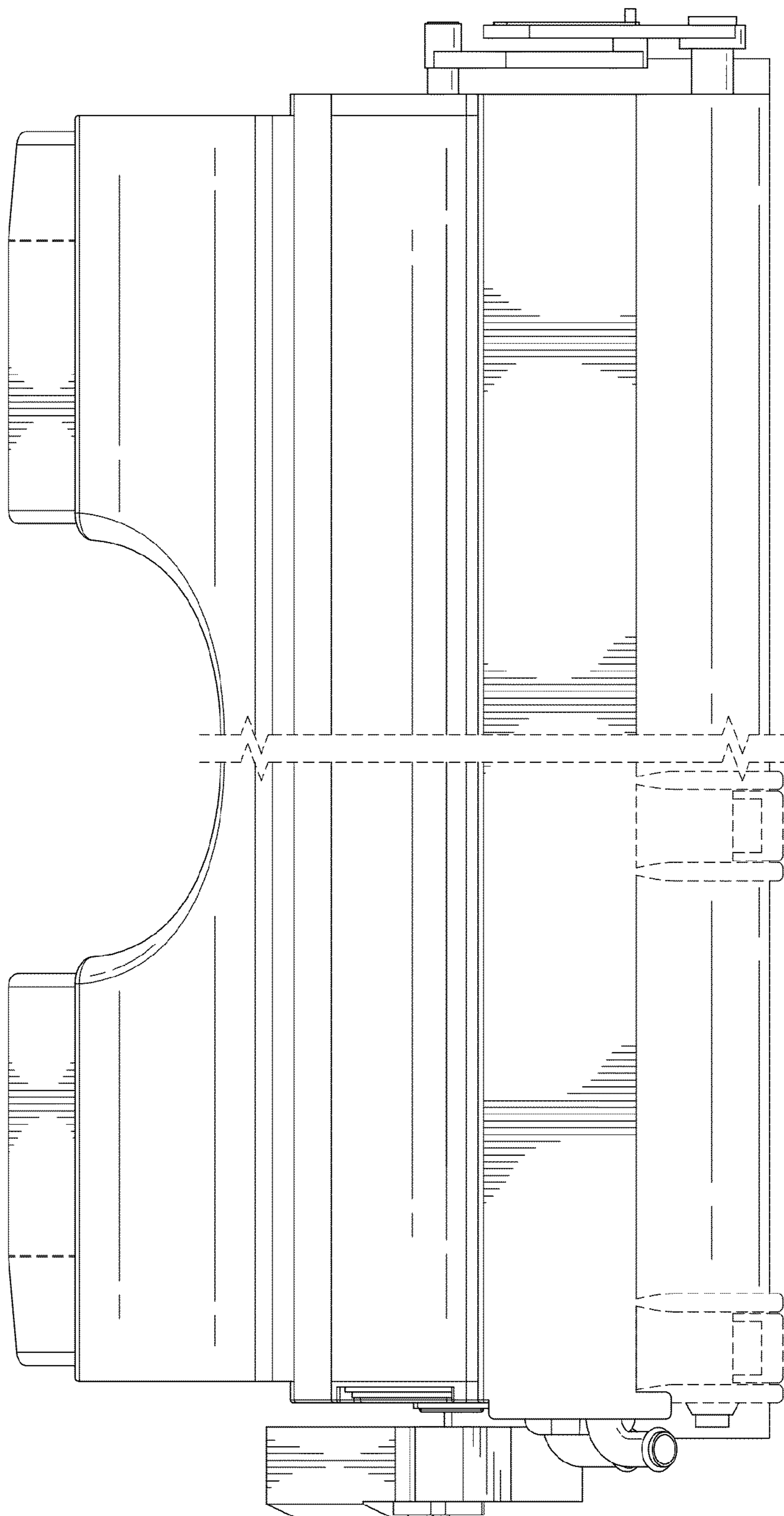


FIG. 15

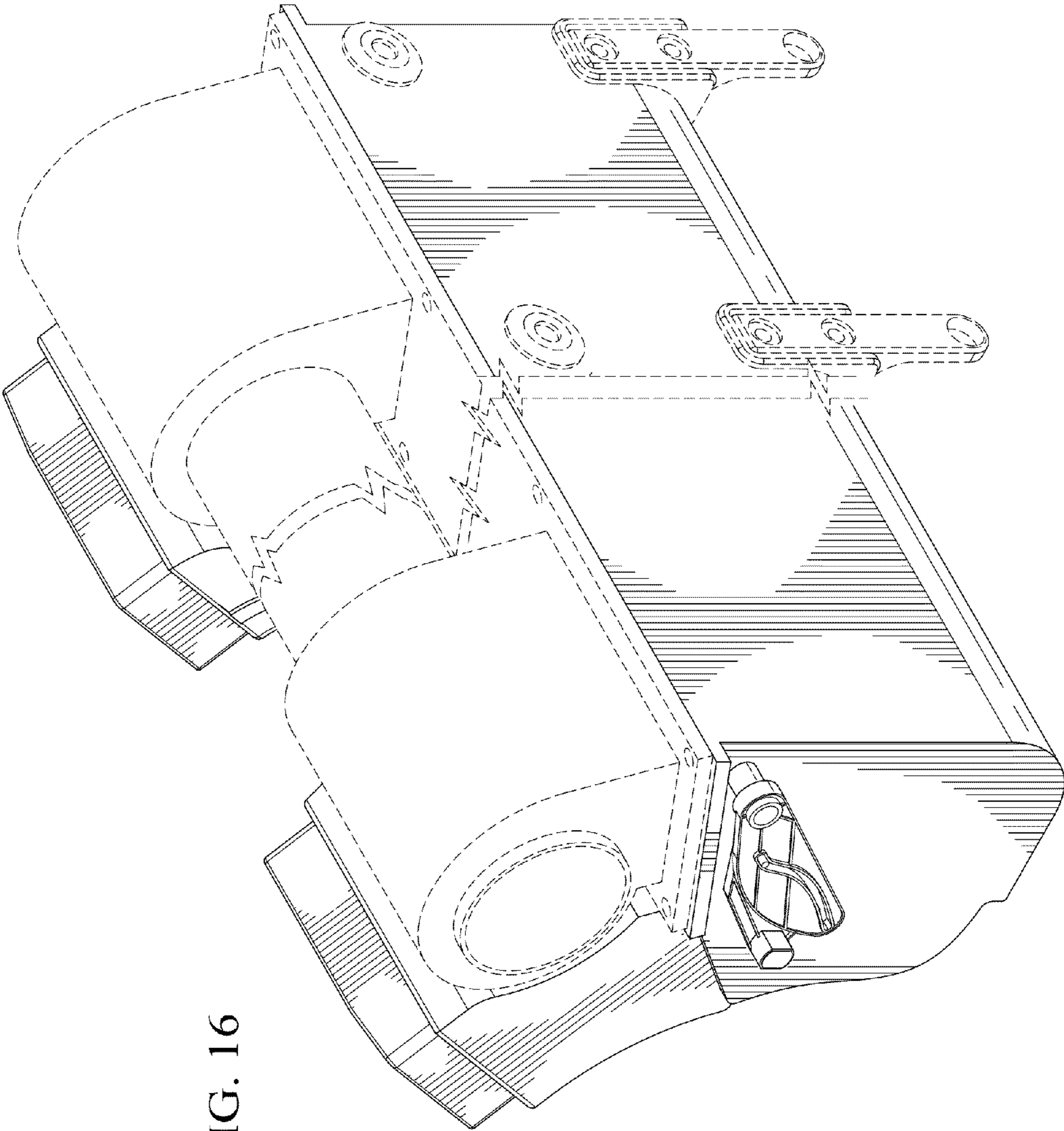


FIG. 16