



US00D725248S

(12) **United States Design Patent**
Bates

(10) **Patent No.:** **US D725,248 S**
(45) **Date of Patent:** **** Mar. 24, 2015**

- (54) **TOILET**
- (71) Applicant: **Kohler Co.**, Kohler, WI (US)
- (72) Inventor: **Michael R. Bates**, Rogers, MI (US)
- (73) Assignee: **Kohler Co.**, Kohler, WI (US)
- (**) Term: **14 Years**
- (21) Appl. No.: **29/480,989**
- (22) Filed: **Jan. 31, 2014**
- (51) **LOC (10) Cl.** **23-02**
- (52) **U.S. Cl.**
USPC **D23/309**
- (58) **Field of Classification Search**
USPC D23/295, 301, 303, 309, 313; 4/353,
4/420, DIG. 15
See application file for complete search history.

- D647,184 S 10/2011 Bates
- D657,852 S 4/2012 Vanderheyden et al.
- D667,092 S * 9/2012 Vanderheyden et al. D23/309
- D670,368 S * 11/2012 Vanderheyden et al. D23/309
- D685,071 S * 6/2013 Vanderheyden et al. D23/309

OTHER PUBLICATIONS

Toto, Eco Soirée® One-Piece Toilet; 1.28GPF; 2 pages; Dec. 2012.
(Continued)

Primary Examiner — Robert Delehanty
(74) *Attorney, Agent, or Firm* — Foley & Lardner LLP

(57) **CLAIM**
I claim the ornamental design for a toilet, as shown and described.

DESCRIPTION

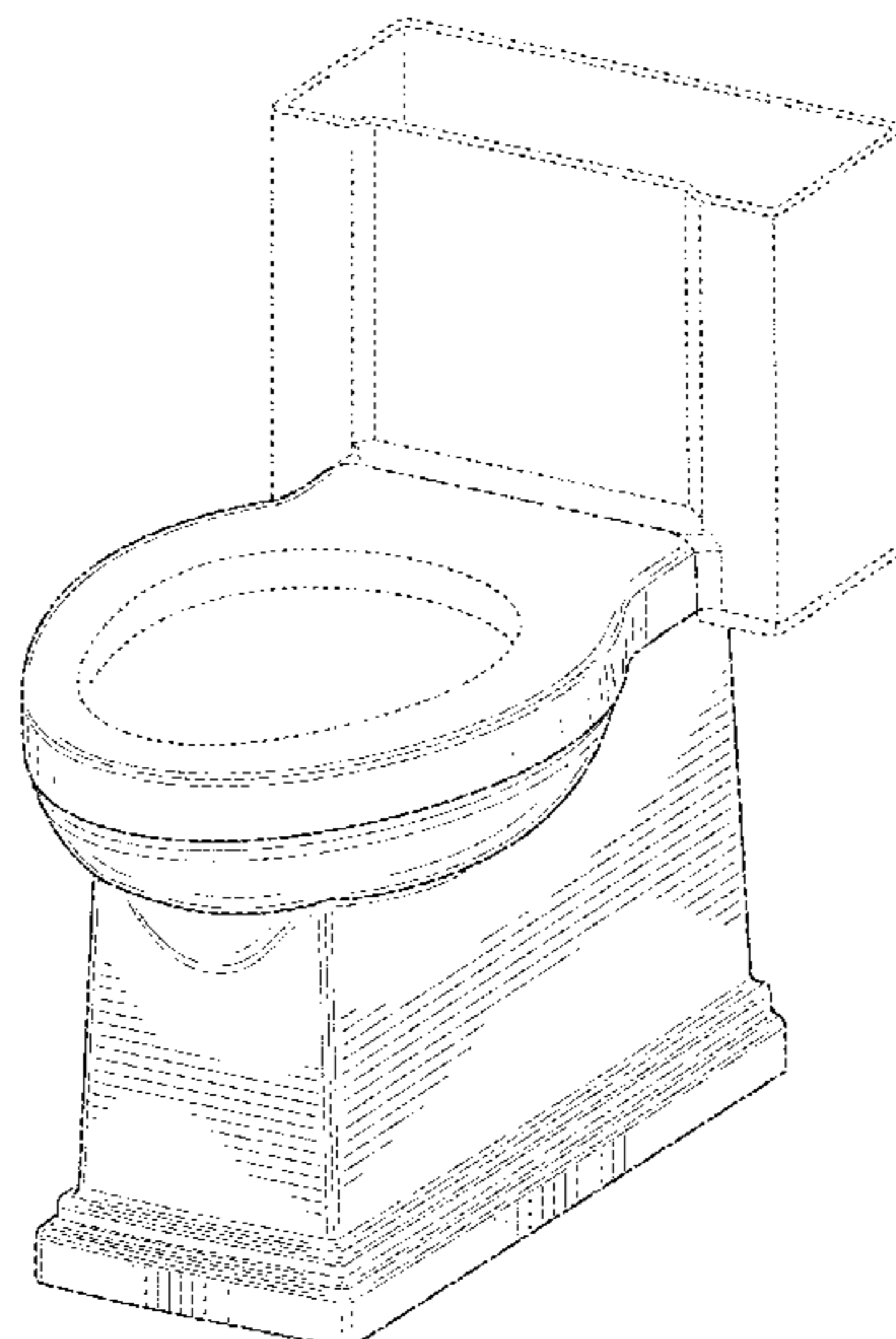
FIG. 1 is a perspective view of an embodiment of the claimed design;
FIG. 2 is a front plan view of the design of FIG. 1;
FIG. 3 is a rear plan view of the design of FIG. 1;
FIG. 4 is a left side plan view of the design of FIG. 1;
FIG. 5 is a right side plan view of the design of FIG. 1; and,
FIG. 6 is a top plan view of the design of FIG. 1.
The ornamental design which is claimed is shown in solid lines in the drawings. The broken lines in the drawings are for illustrative purposes only and form no part of the claimed design. Broken lines formed by equal length dashes show unclaimed portions of the design. Broken lines formed of unequal length dashes (i.e., dash-dot) show boundaries between claimed and unclaimed portions of the design. Dashed lines having a jagged element are not part of the claimed design and show that no particular length of the portion is claimed, such that a length of the portion could be shorter or longer. Portions shown in stipple shading as opposed to line shading show contrasting surfaces unlimited by colors.

1 Claim, 6 Drawing Sheets

(56) **References Cited**

U.S. PATENT DOCUMENTS

- D86,995 S * 5/1932 Brain D23/301
- D323,880 S 2/1992 McKeone et al.
- D387,858 S 12/1997 McKeone
- D441,437 S 5/2001 McKeone
- D444,864 S 7/2001 McKeone
- D455,822 S 4/2002 McKeone
- D496,442 S 9/2004 Bates
- D496,443 S 9/2004 Bates
- D506,537 S 6/2005 Lanius
- D514,673 S 2/2006 Lanius
- D515,185 S 2/2006 Daikubara
- D515,186 S 2/2006 Lanius
- D523,126 S 6/2006 Bates
- D621,012 S 8/2010 Bucher
- D621,013 S 8/2010 Bucher
- D621,488 S 8/2010 Bucher
- D628,279 S 11/2010 Jiang



(56)

References Cited

OTHER PUBLICATIONS

Toto, Eco Guinevere® One-Piece Toilet; 1.28 GPF, 2 pages; Jun. 2009.

American Standard; Boulevard® Siphonic Dual Flush Right Height® Elongated One-Piece Toilet with Seat; 2 pages; May 2011.

* cited by examiner

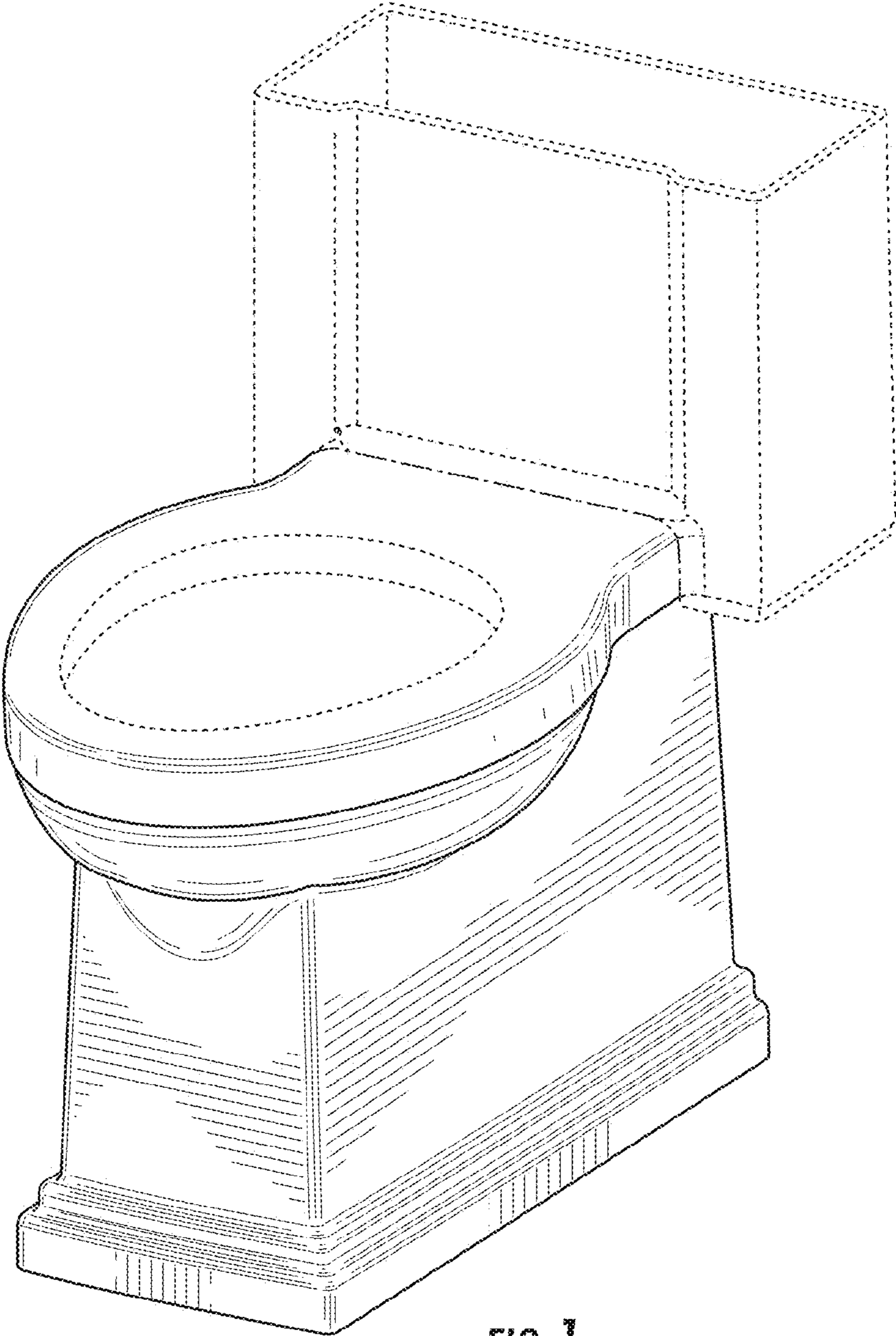


FIG. 1

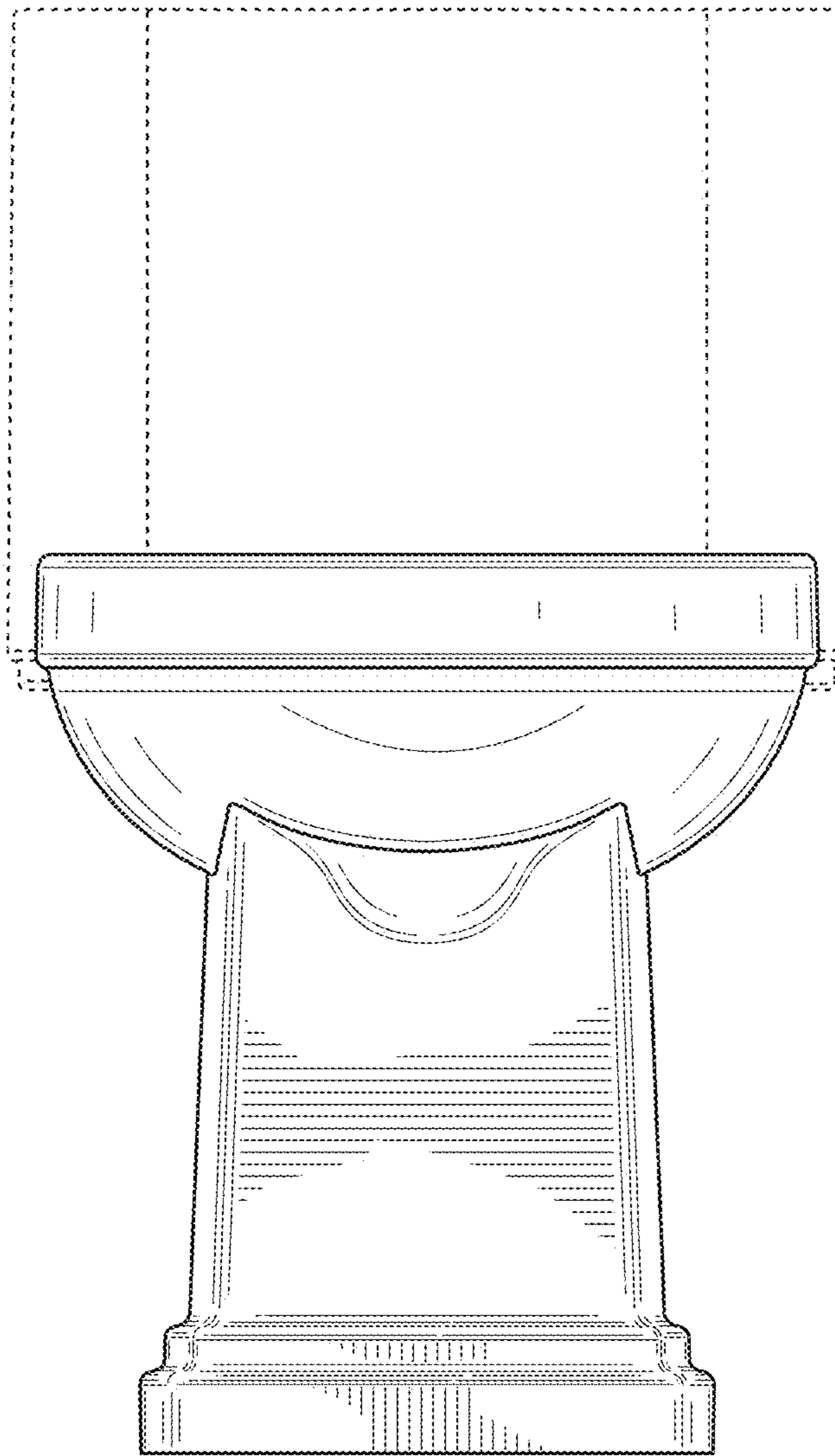


FIG. 2

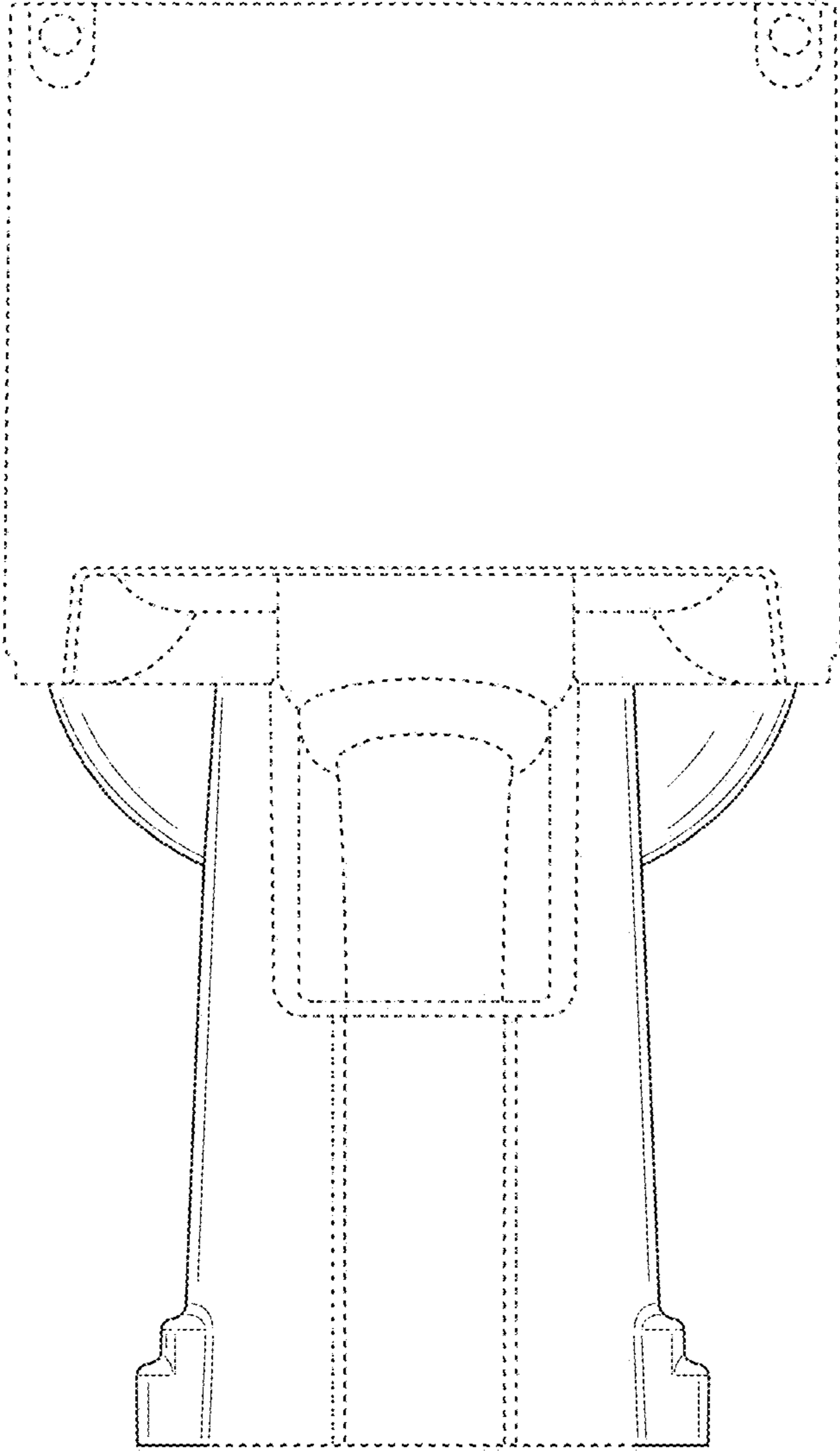


FIG. 3

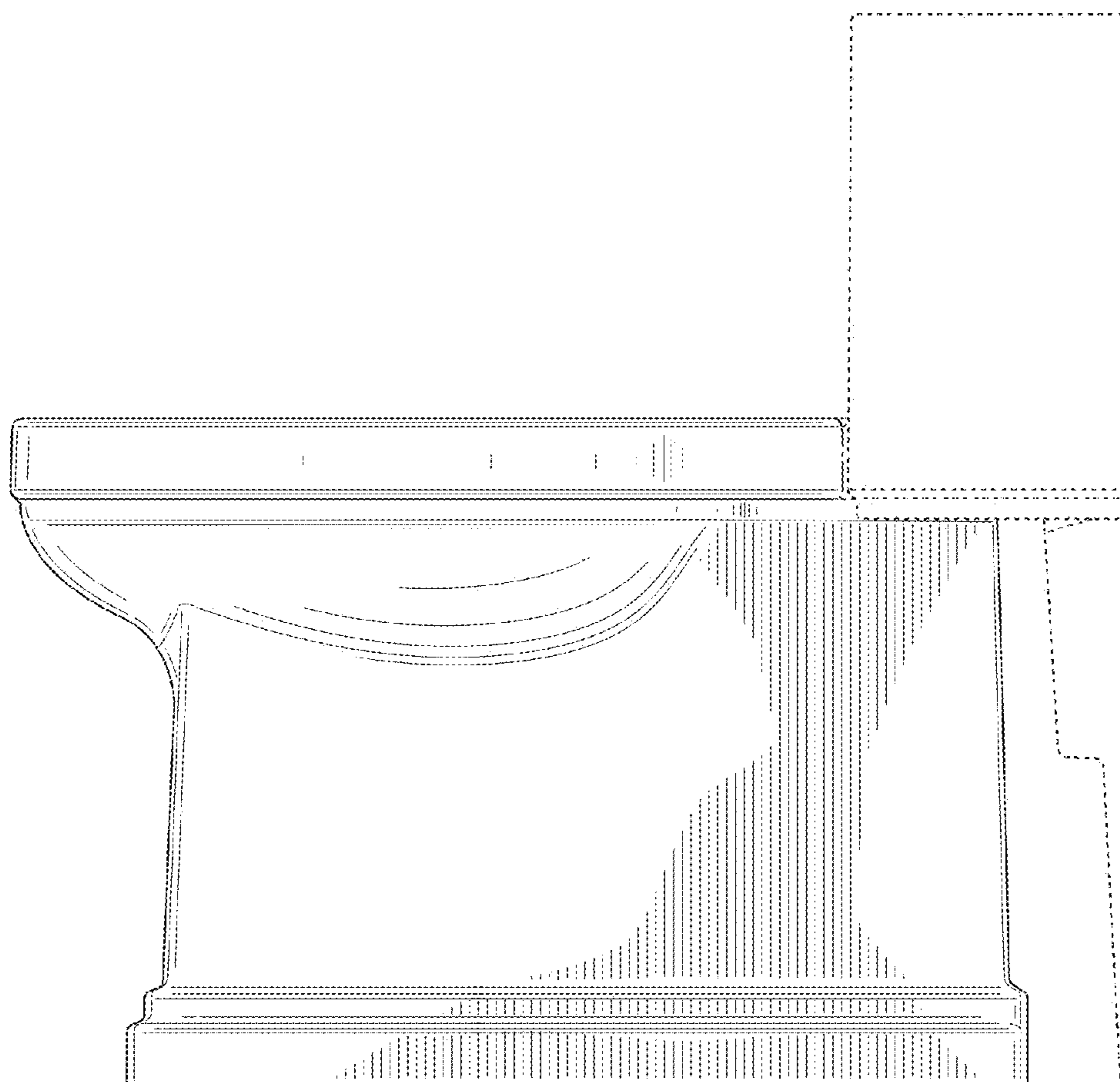


FIG. 4

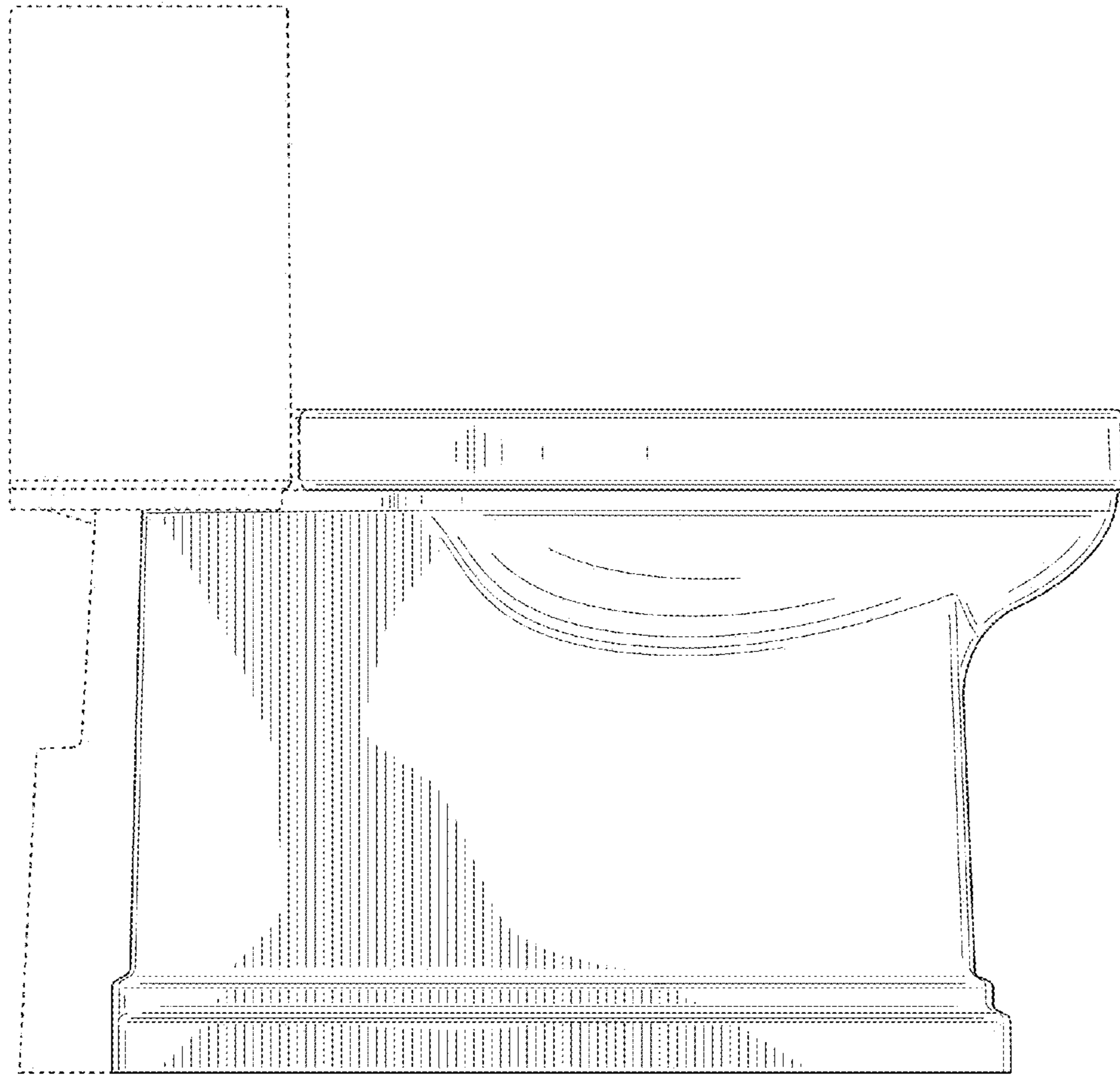


FIG. 5

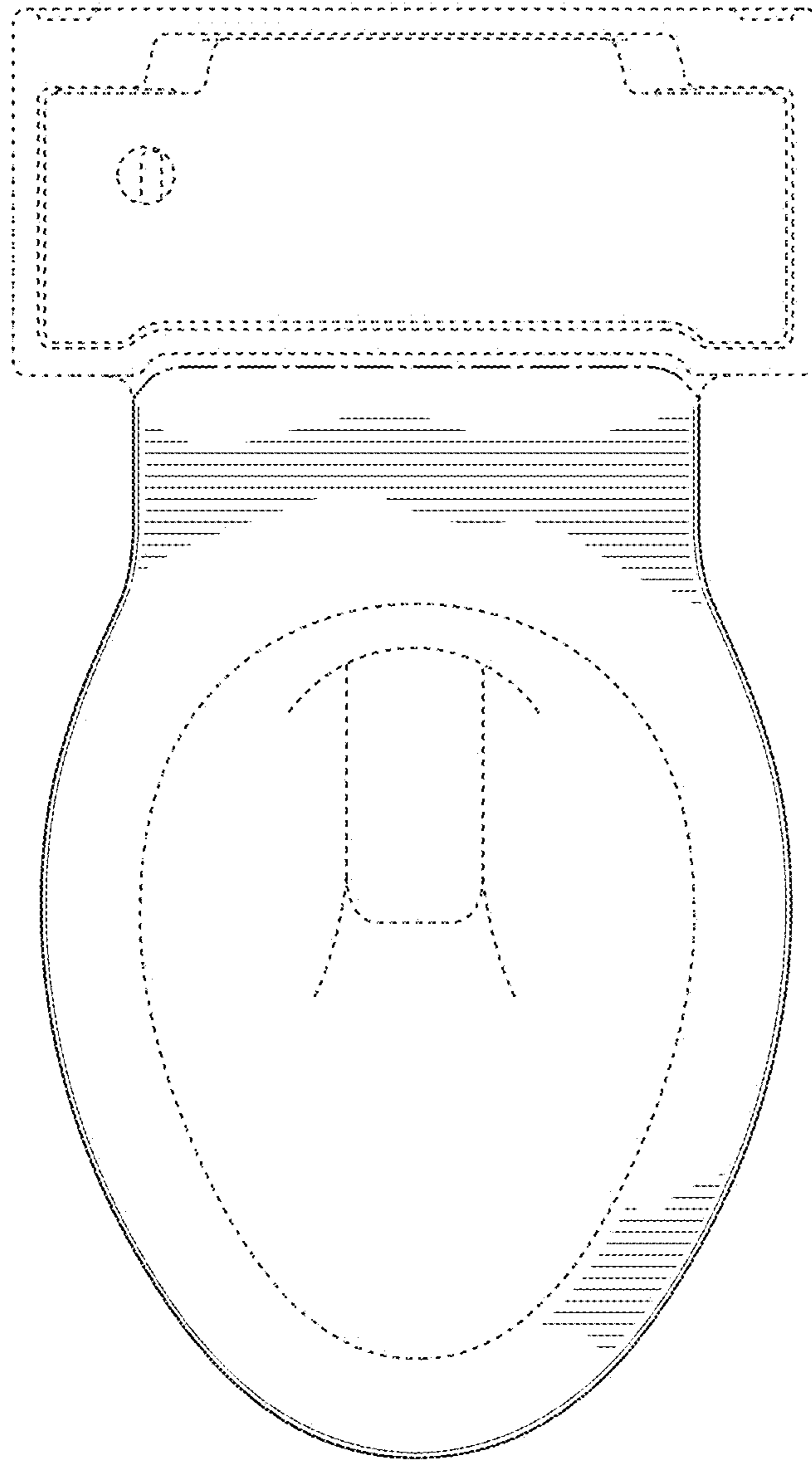


FIG. 6