



US00D725242S

(12) **United States Design Patent**
Spangler

(10) **Patent No.:** **US D725,242 S**
(45) **Date of Patent:** **** Mar. 24, 2015**

(54) **TUB**

(71) Applicant: **Masco Corporation of Indiana,**
Indianapolis, IN (US)

(72) Inventor: **Anthony Spangler,** Indianapolis, IN
(US)

(73) Assignee: **Masco Corporation of Indiana,**
Indianapolis, IN (US)

(**) Term: **14 Years**

(21) Appl. No.: **29/483,784**

(22) Filed: **Mar. 3, 2014**

(51) **LOC (10) Cl.** **23-02**

(52) **U.S. Cl.**
USPC **D23/277**

(58) **Field of Classification Search**
CPC A47K 4/00; A47K 3/02
USPC D23/275, 277, 280.1, 303-304, 306;
4/663-665, 538

See application file for complete search history.

(56) **References Cited**

U.S. PATENT DOCUMENTS

D314,611 S * 2/1991 Doman et al. D23/280.1
D335,701 S * 5/1993 Zaccai et al. D23/277
D502,989 S * 3/2005 Turcotte et al. D23/277
D579,091 S * 10/2008 Biagi et al. D23/277

* cited by examiner

Primary Examiner — Robert Delehanty

(74) *Attorney, Agent, or Firm* — Edgar A. Zarins; Nirav D. Parikh

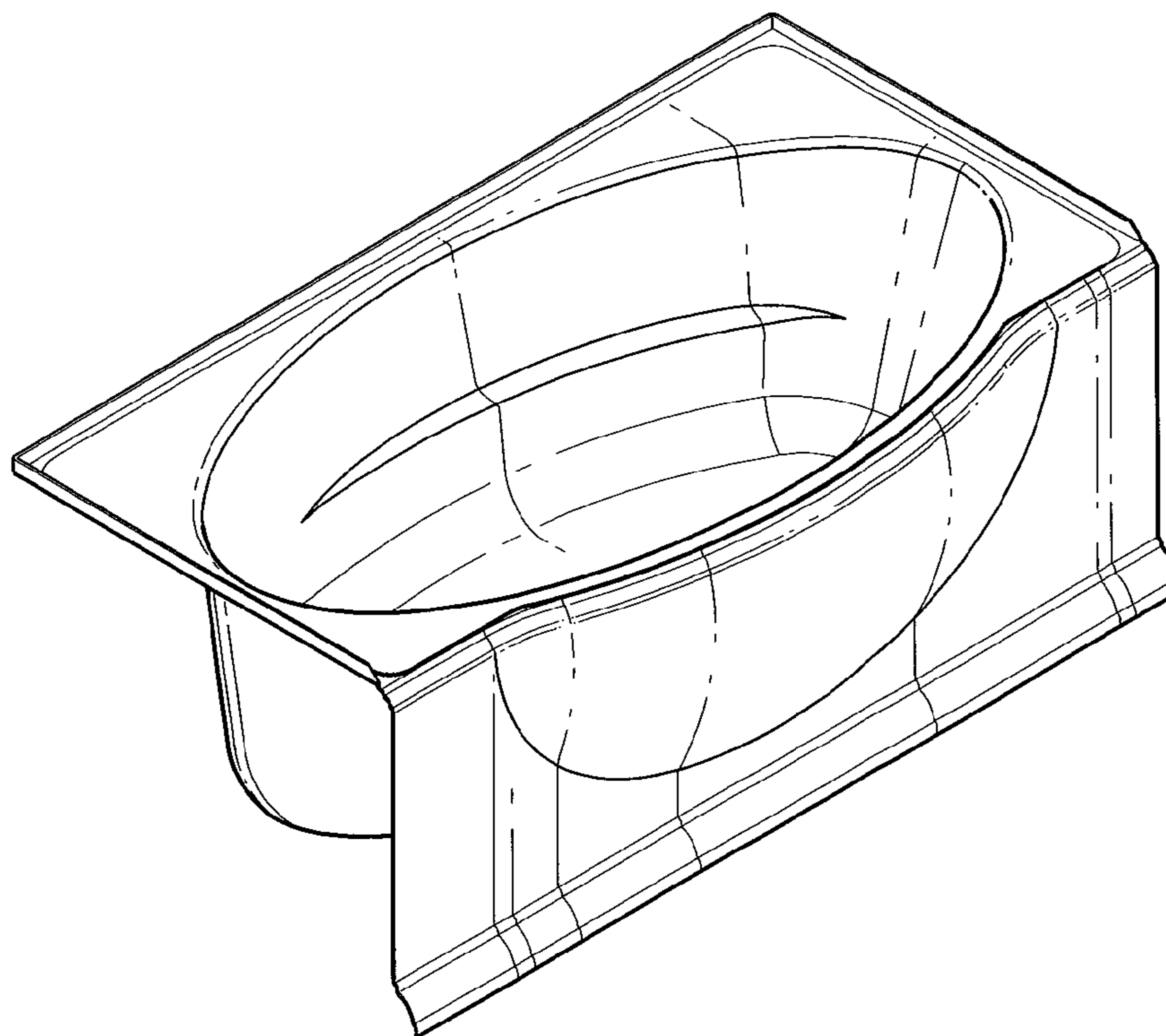
(57) **CLAIM**

The ornamental design for a tub, as shown and described.

DESCRIPTION

FIG. 1 is a perspective view of a tub showing my new design;
FIG. 2 is a top plan view thereof;
FIG. 3 is a front elevational view thereof;
FIG. 4 is a rear view thereof;
FIG. 5 is a bottom view thereof;
FIG. 6 is a first end view thereof; and,
FIG. 7 is a second end view thereof.

1 Claim, 2 Drawing Sheets



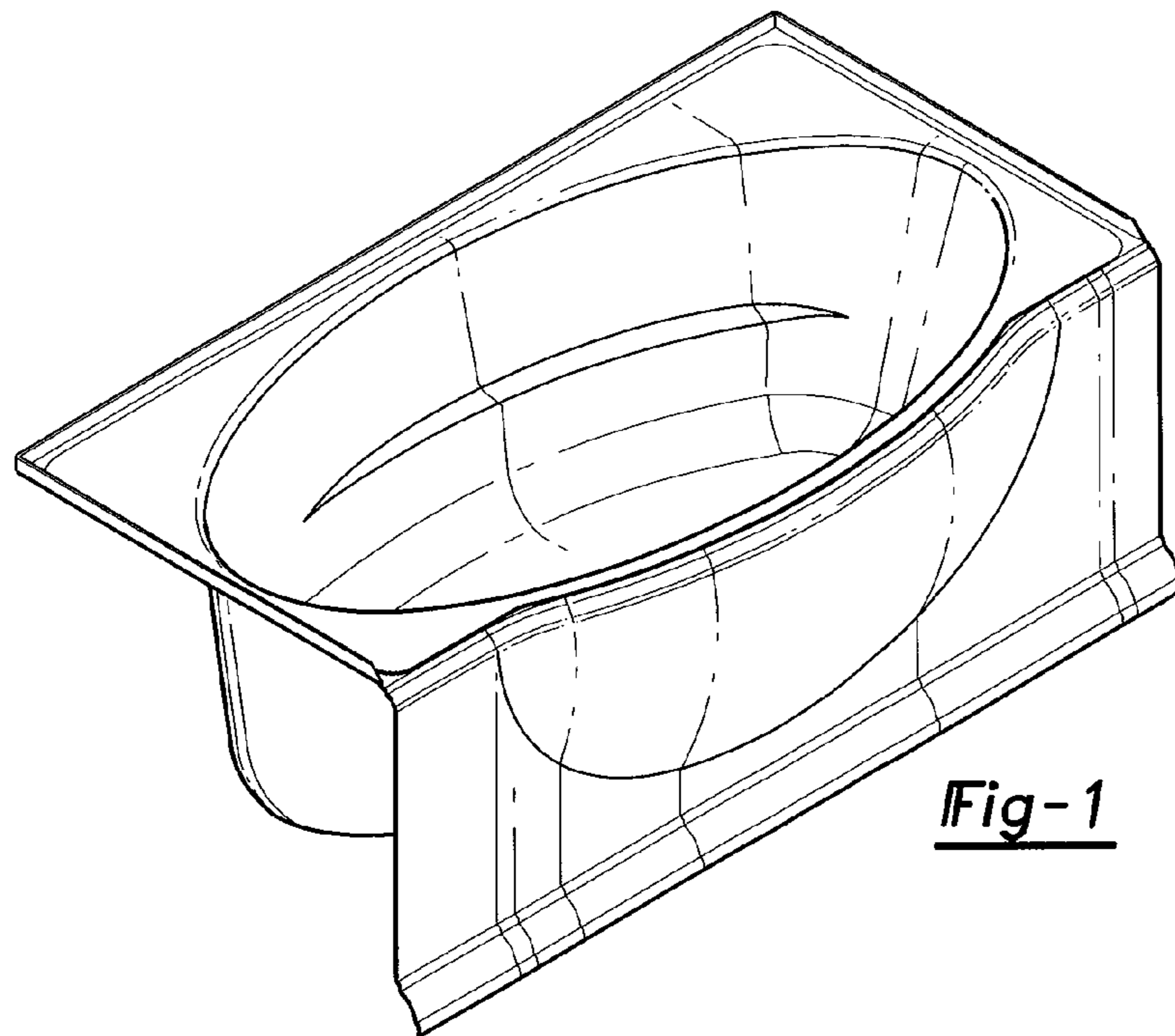


Fig-1

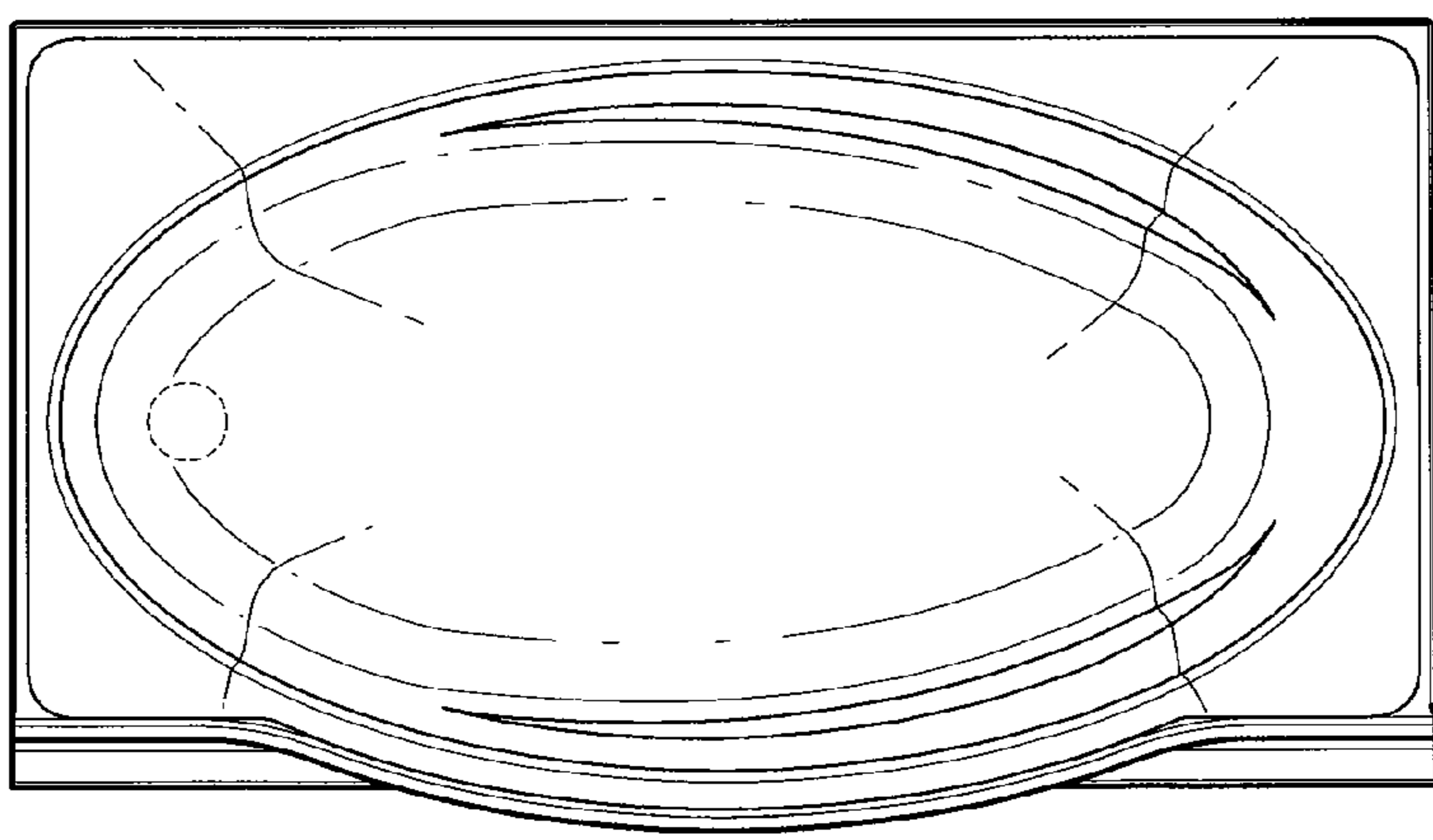


Fig-2

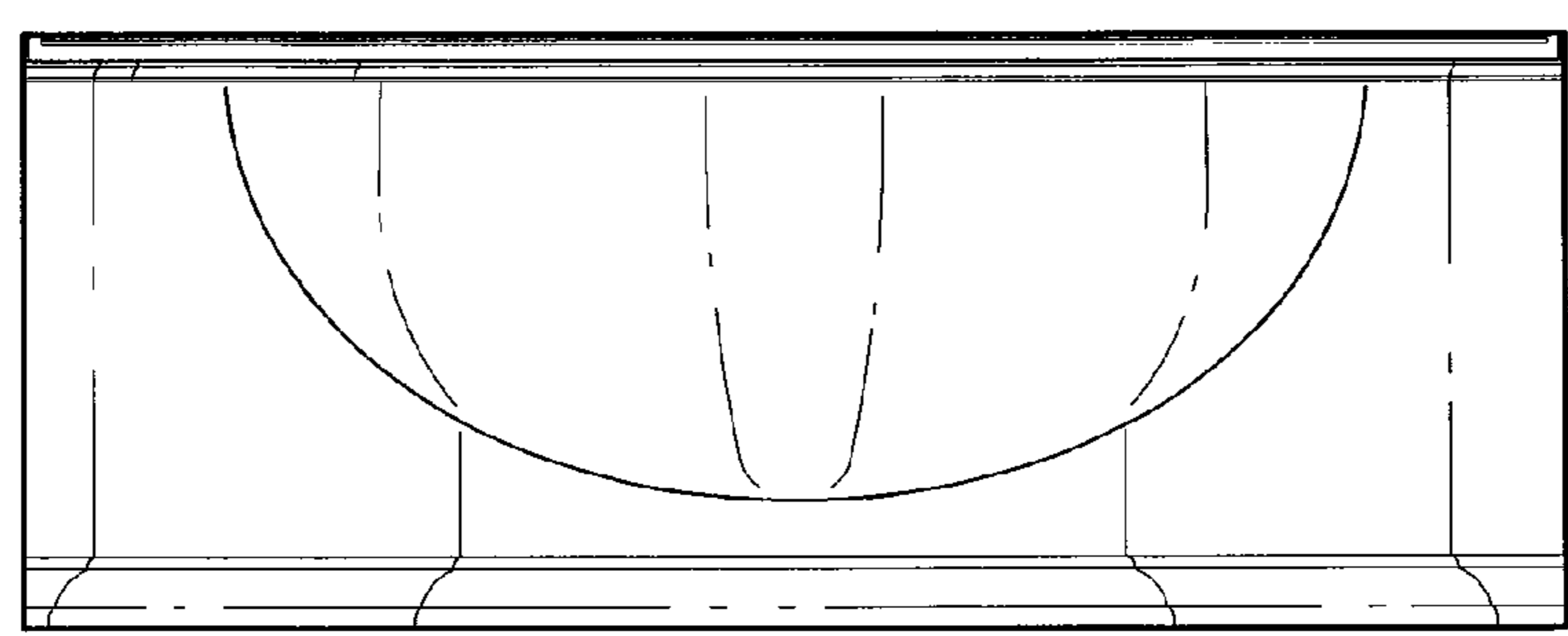


Fig-3

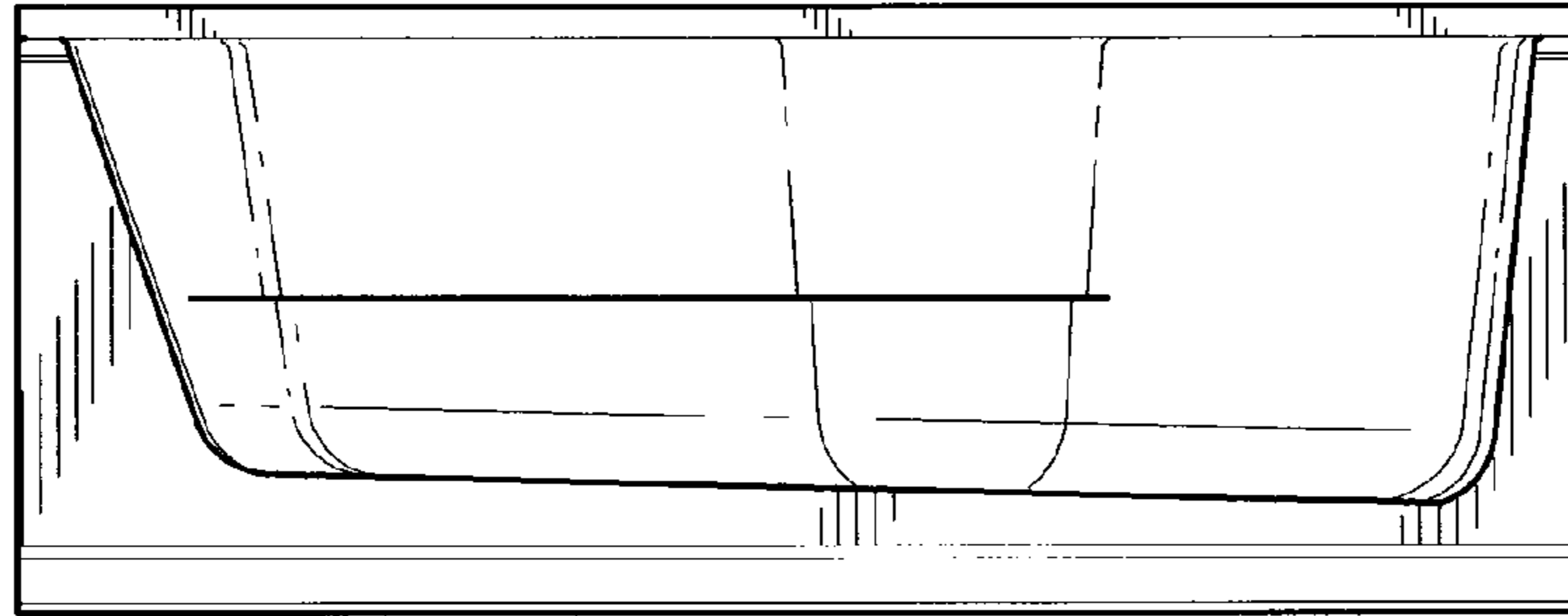


Fig-4

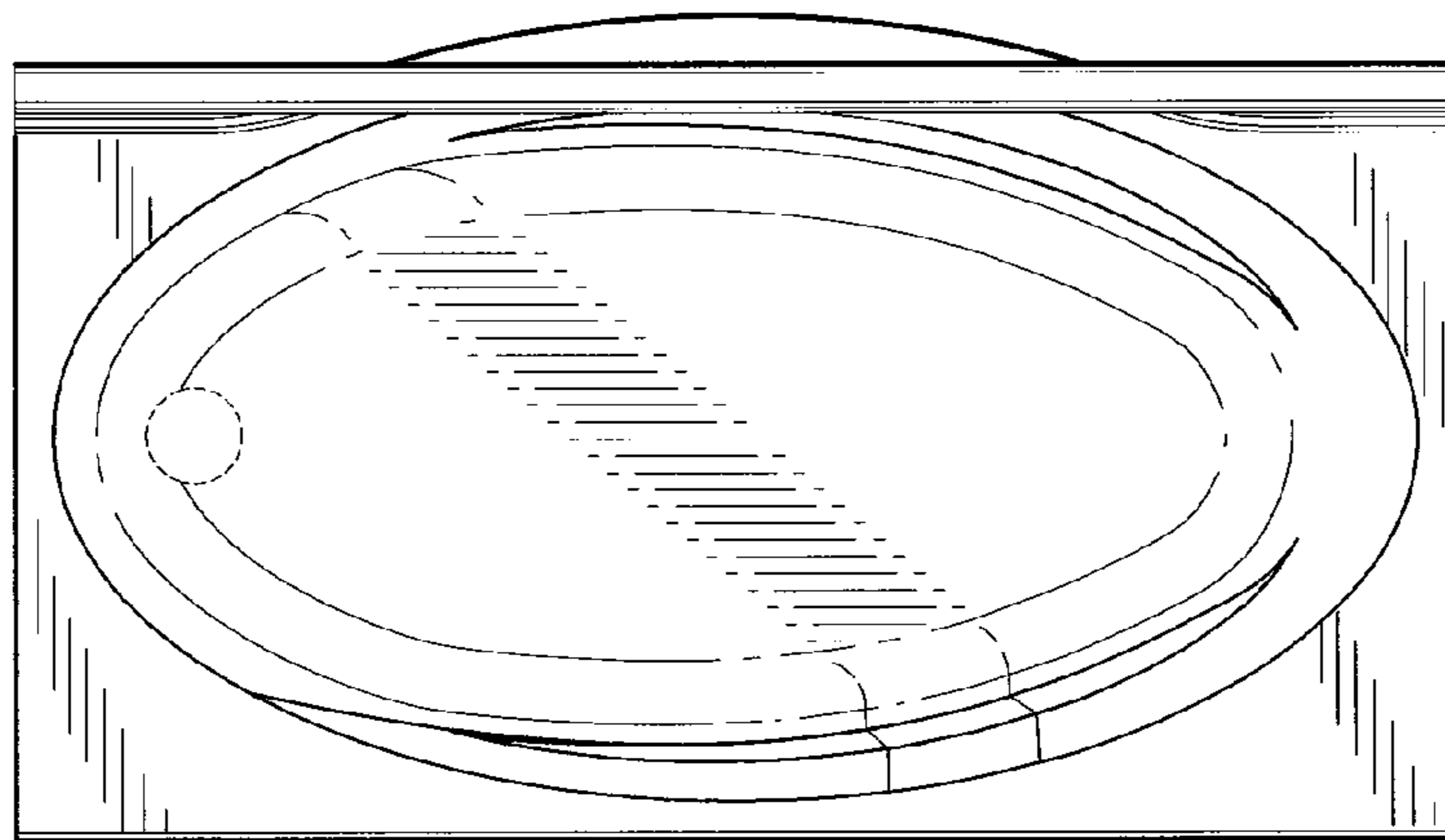


Fig-5

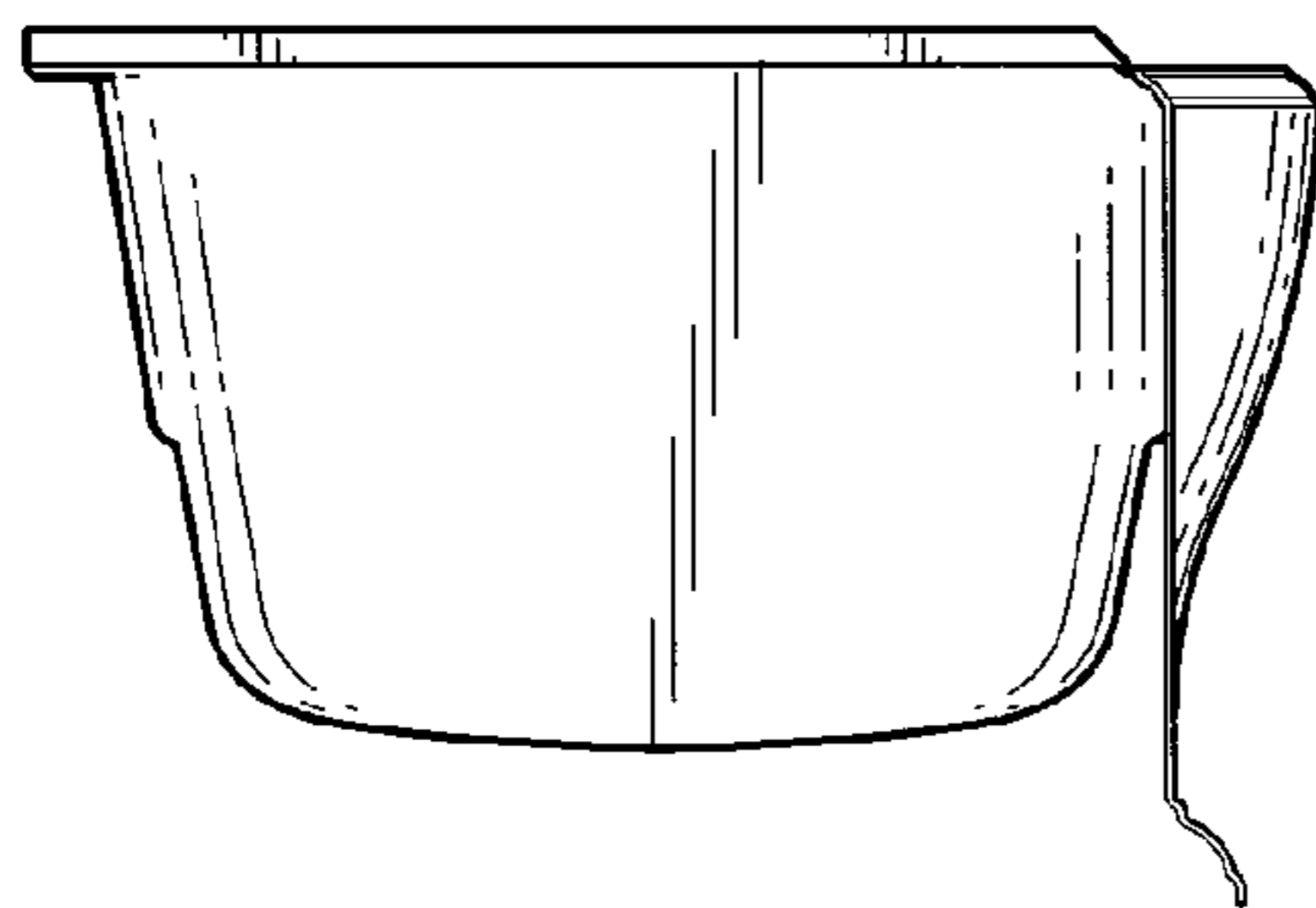


Fig-6

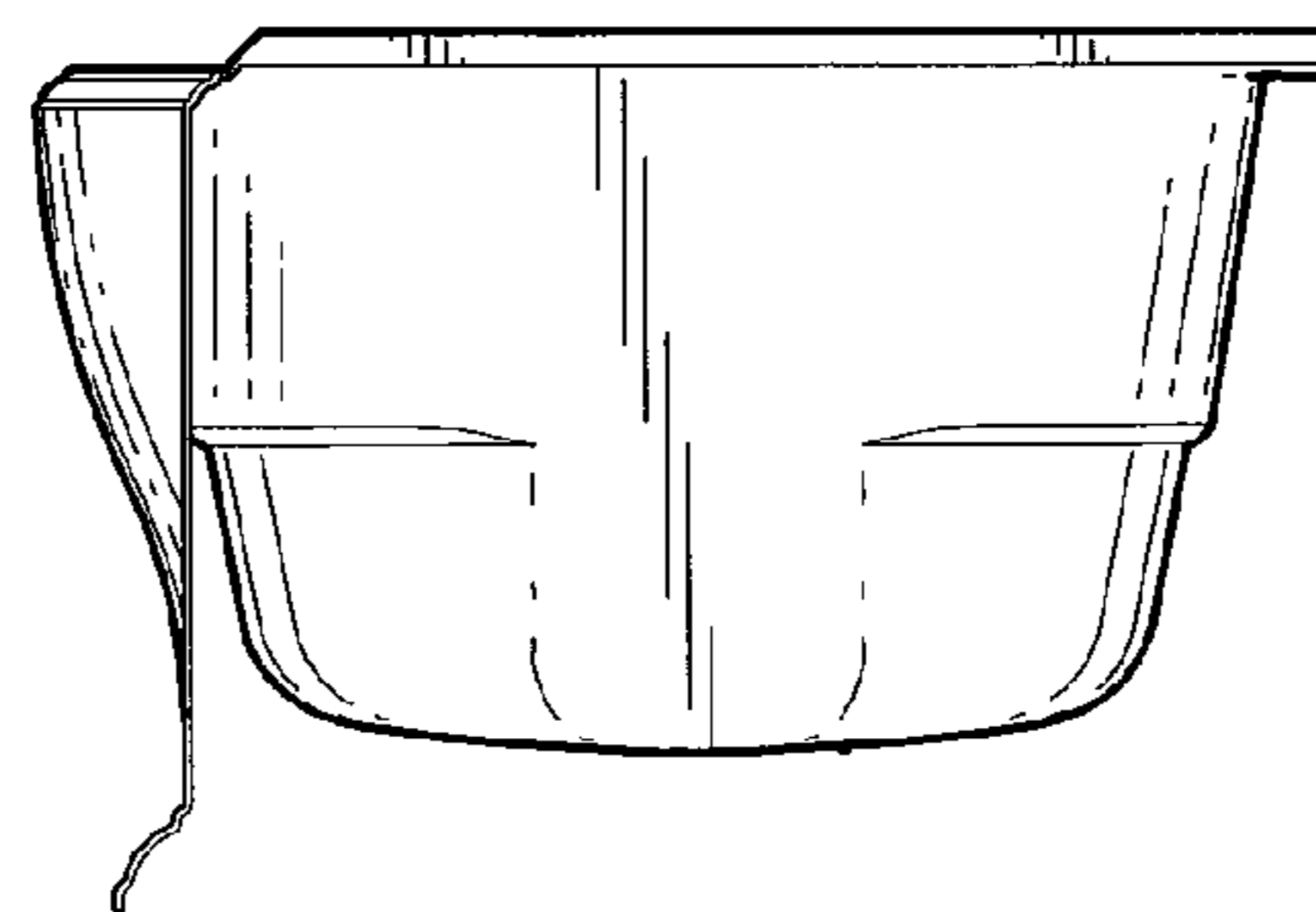


Fig-7