



US00D725241S

(12) **United States Design Patent**
Lo

(10) **Patent No.:** **US D725,241 S**
(45) **Date of Patent:** **** Mar. 24, 2015**

(54) **SINK AND INDUCTION COOKTOP ASSEMBLY**

(71) Applicant: **Metalchef Equipment Limited**, Hong Kong (HK)

(72) Inventor: **Ming Shing Lo**, Hong Kong (HK)

(73) Assignee: **Metalchef Equipment Limited**, Hong Kong (HK)

(**) Term: **14 Years**

(21) Appl. No.: **29/460,730**

(22) Filed: **Jul. 15, 2013**

(30) **Foreign Application Priority Data**

Jan. 24, 2013 (HK) 1300125.0

(51) **LOC (10) Cl.** **23-02**

(52) **U.S. Cl.**
USPC **D23/272**

(58) **Field of Classification Search**

USPC D23/271–272, 284, 287, 293.1, 303,
D23/308; 4/619, 630, 631, 638, 661;
D7/346, 363

See application file for complete search history.

(56) **References Cited**

U.S. PATENT DOCUMENTS

D235,605 S *	7/1975	Shelley	D7/346
D292,472 S *	10/1987	Oh	D7/360
D506,535 S *	6/2005	Piatt	D23/293.1
7,240,380 B2 *	7/2007	Erickson	4/631
D676,945 S *	2/2013	Schindler	D23/286

* cited by examiner

Primary Examiner — Robert Delehanty

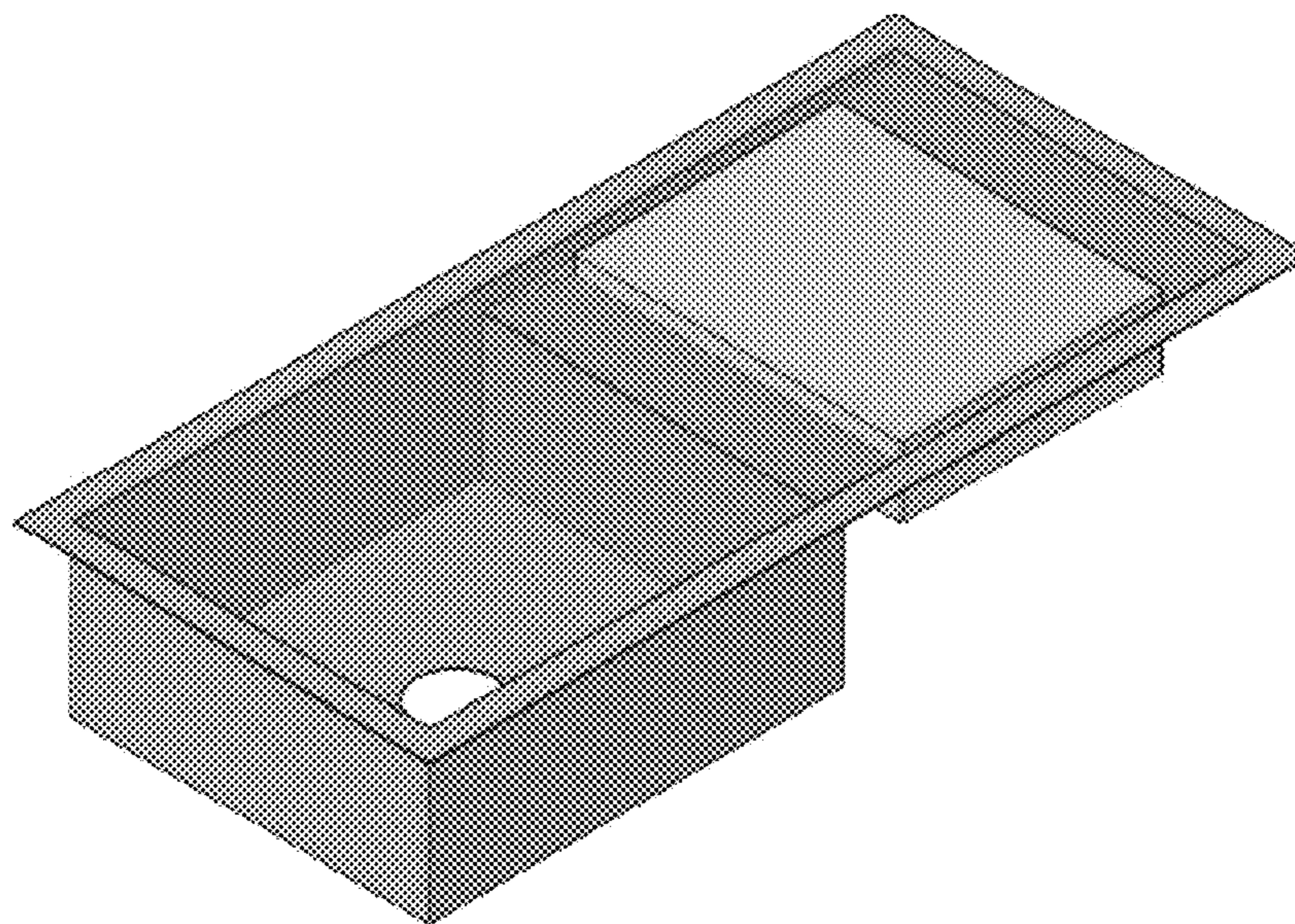
(57) **CLAIM**

The ornamental design for a sink and induction cooktop assembly, as shown and described.

DESCRIPTION

FIG. 1 is a front view of a sink and induction cooktop assembly of my new design;
FIG. 2 is a rear view of the sink and induction cooktop assembly thereof;
FIG. 3 is a right view of the sink and induction cooktop assembly thereof;
FIG. 4 is a left view of the sink and induction cooktop assembly thereof;
FIG. 5 is a top view of the sink and induction cooktop assembly thereof;
FIG. 6 is a bottom view of the sink and induction cooktop assembly thereof;
FIG. 7 is a bottom perspective view of the sink and induction cooktop assembly thereof; and,
FIG. 8 is a top perspective view of the sink and induction cooktop assembly thereof.

1 Claim, 3 Drawing Sheets



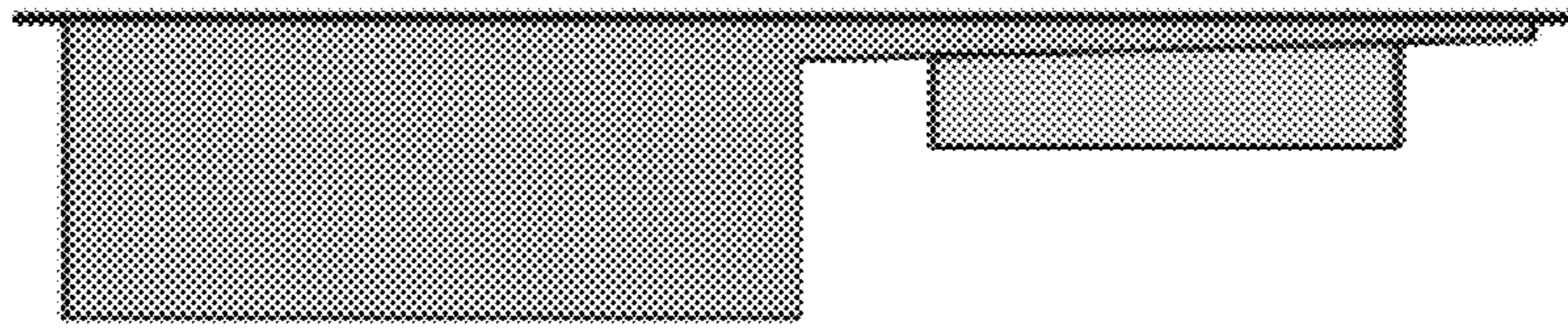


Fig. 1

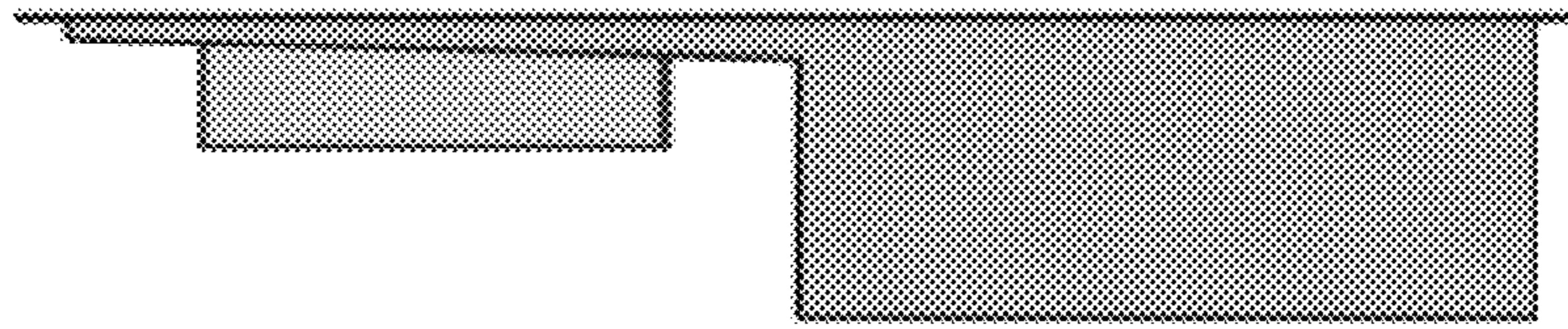


Fig. 2

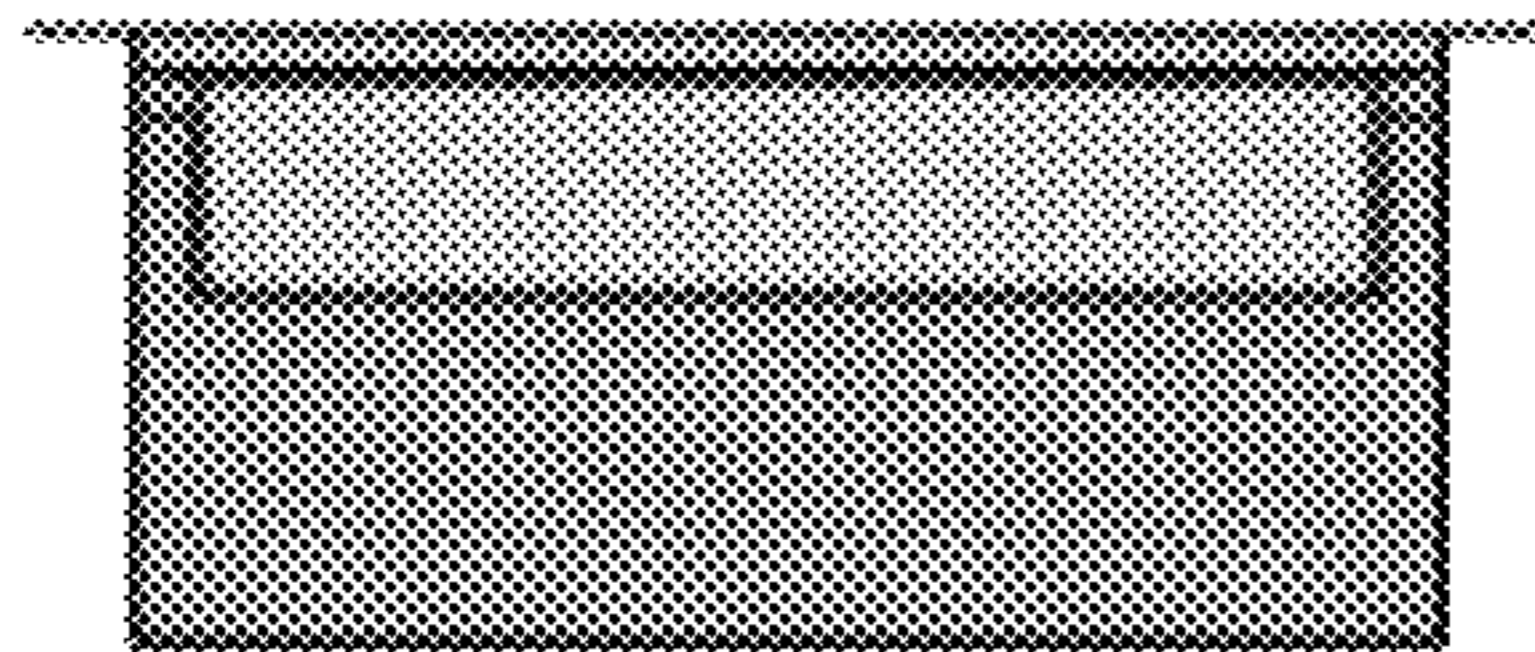


Fig. 3

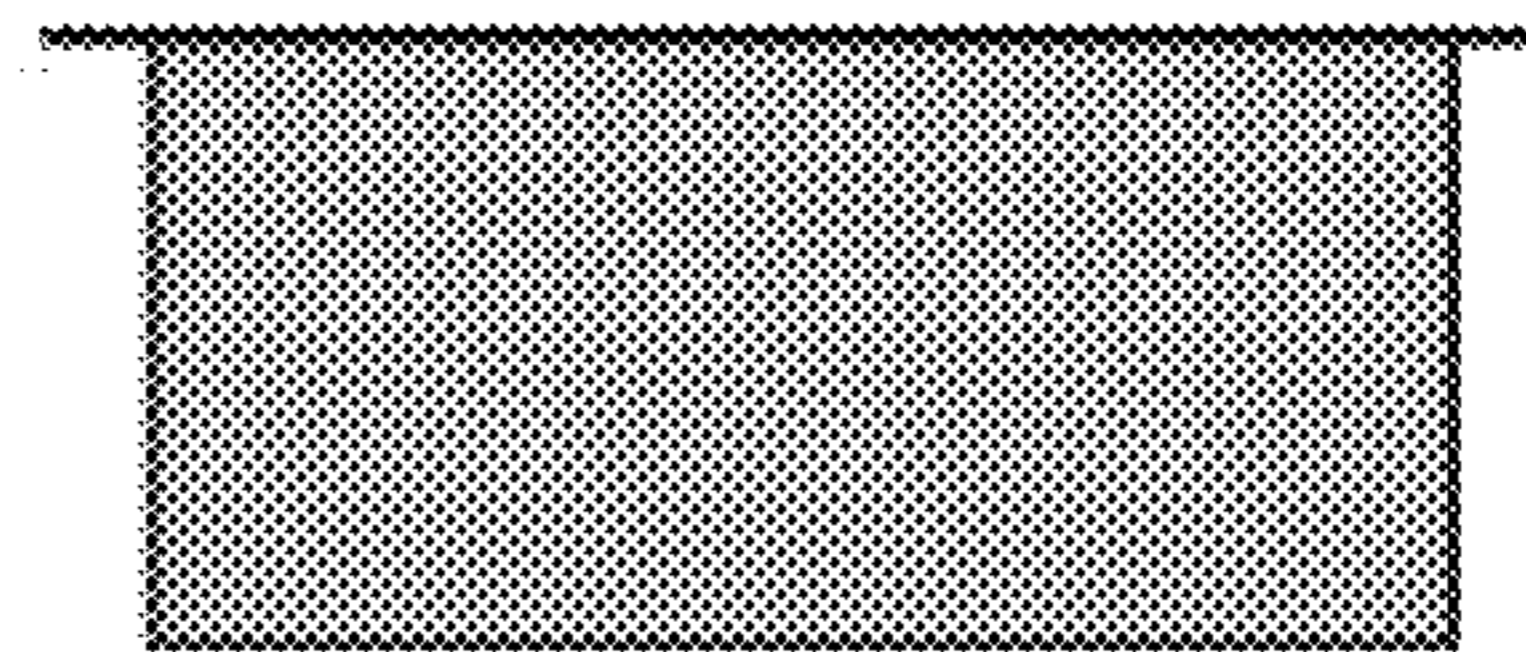


Fig. 4

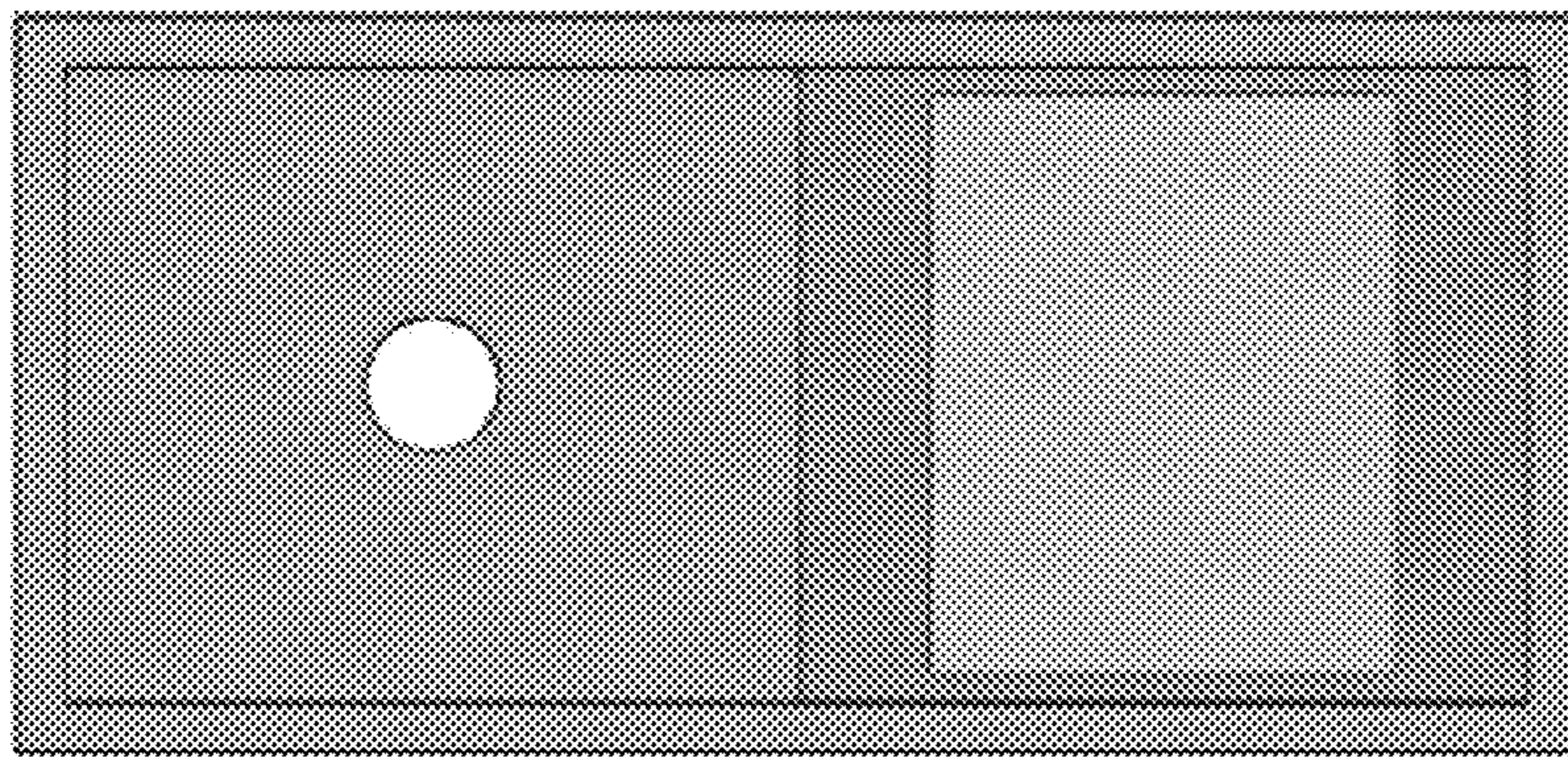


Fig. 5

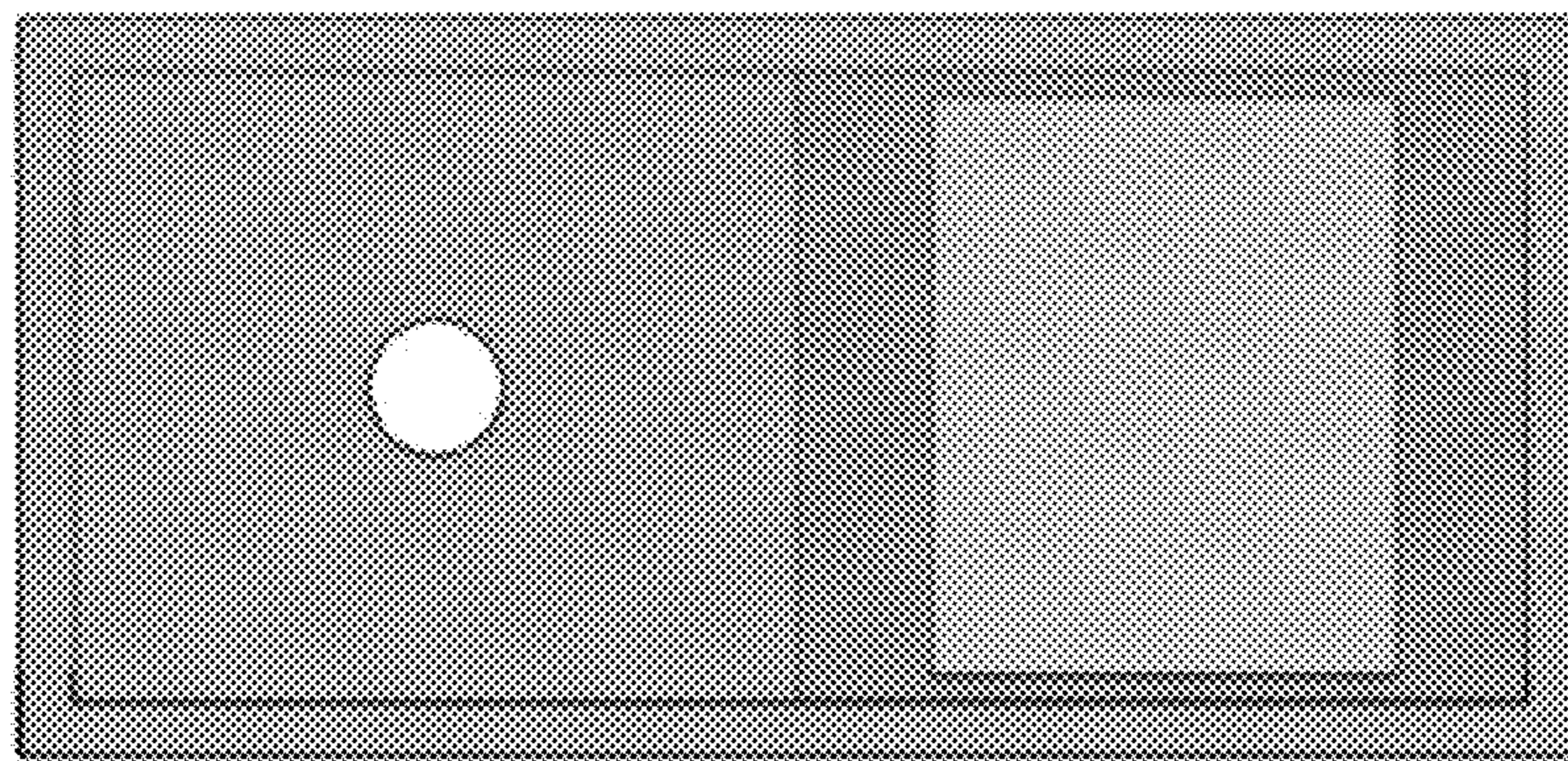


Fig. 6

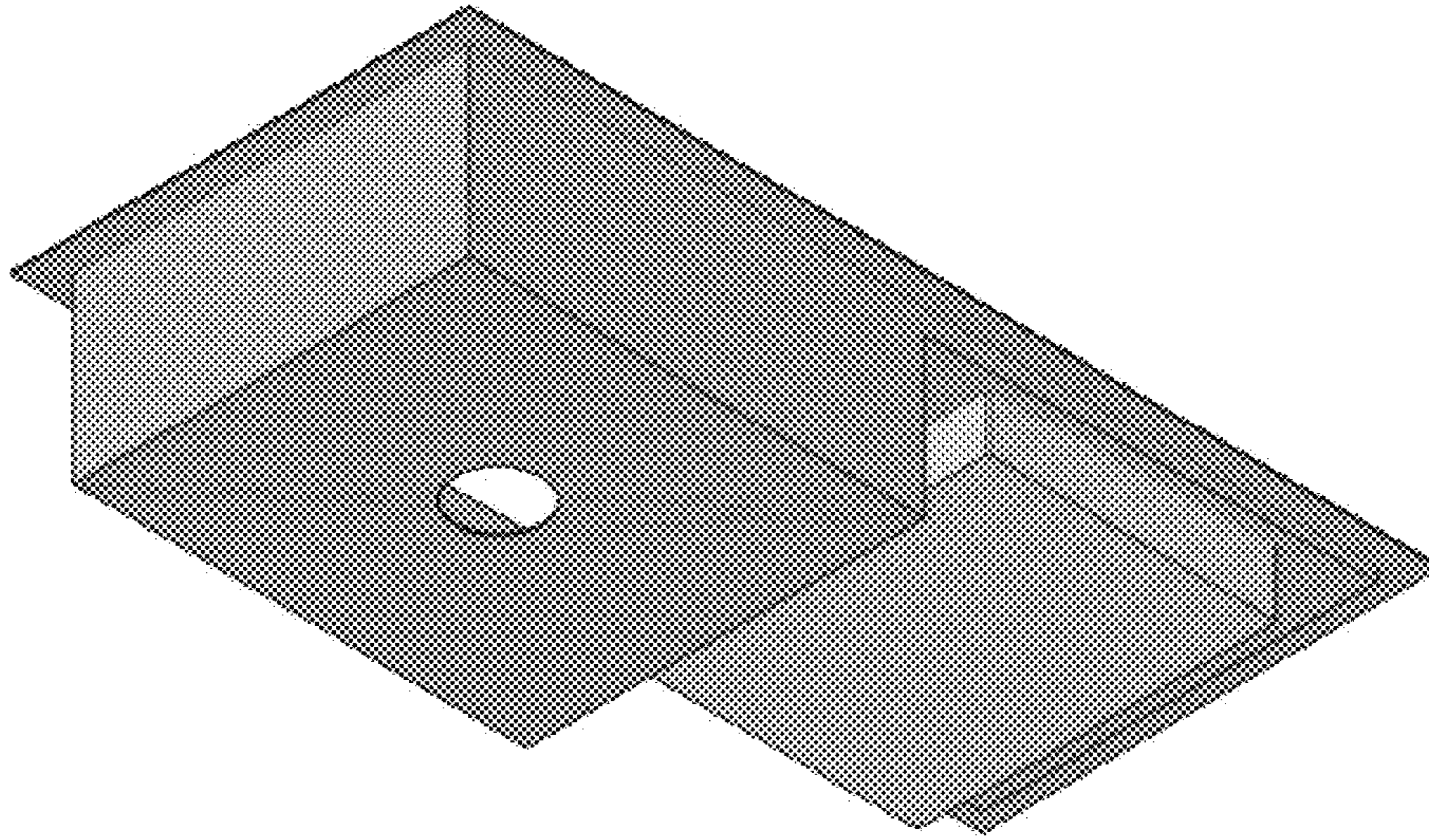


Fig. 7

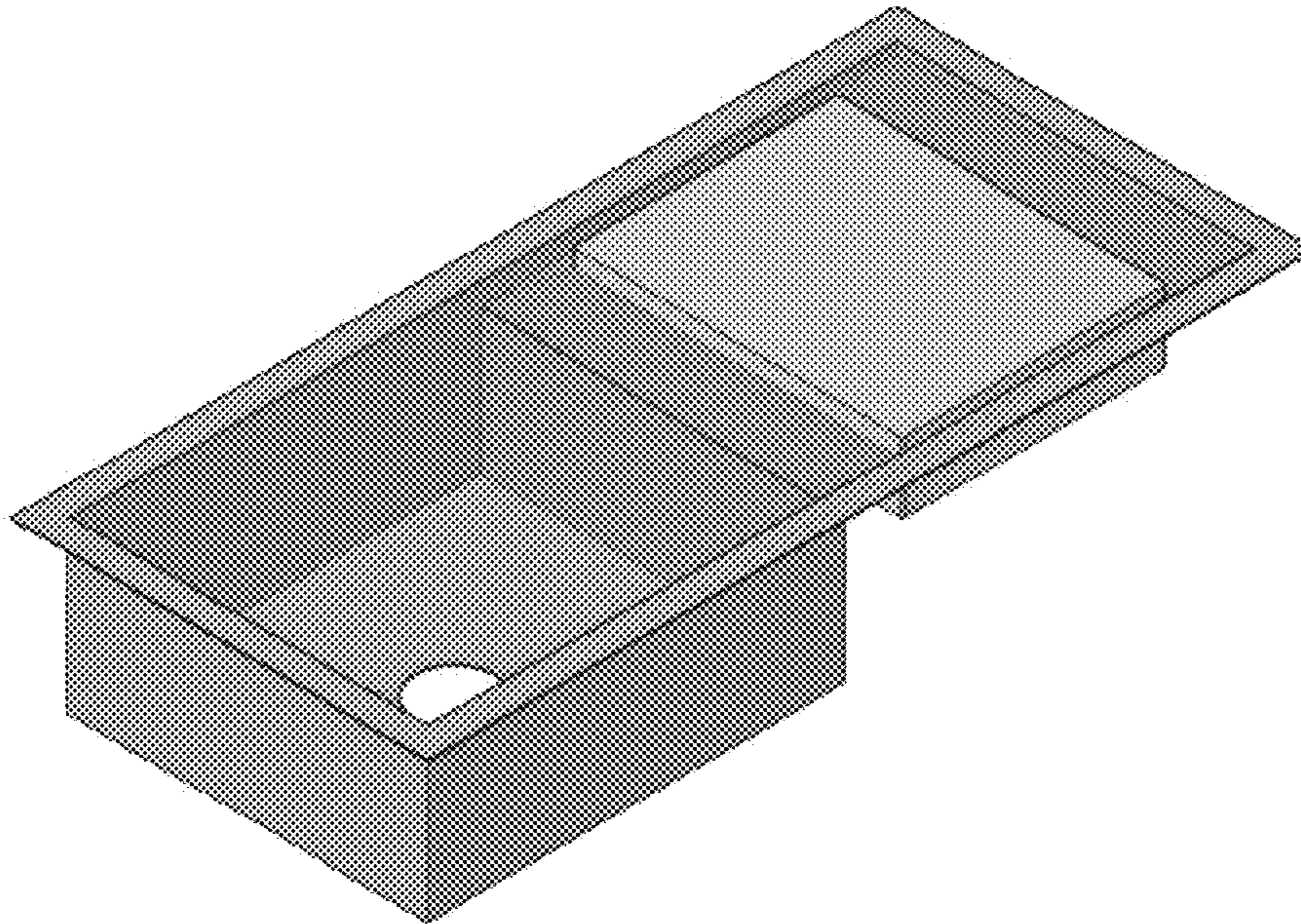


Fig. 8