



US00D725240S

(12) **United States Design Patent**  
**Nielson et al.**

(10) **Patent No.:** **US D725,240 S**

(45) **Date of Patent:** **\*\* Mar. 24, 2015**

(54) **HOSE SUPPORT**

(71) Applicants: **Jeffrey T. Nielson**, Piscataway, NJ (US);  
**Daniel Perrone**, Highland Park, NJ (US)

(72) Inventors: **Jeffrey T. Nielson**, Piscataway, NJ (US);  
**Daniel Perrone**, Highland Park, NJ (US)

(73) Assignee: **Saint-Gobain Performance Plastics Corporation**, Aurora, OH (US)

(\*\*) Term: **14 Years**

(21) Appl. No.: **29/453,376**

(22) Filed: **Apr. 29, 2013**

(51) **LOC (10) Cl.** ..... **23-01**

(52) **U.S. Cl.**

USPC ..... **D23/269**

(58) **Field of Classification Search**

USPC ..... D23/40, 43, 233, 235, 259, 260, 261,  
D23/262, 266, 269; D24/129; D8/373, 380;  
285/368, 373, 412, 414, 419, 423;  
241/46.013-46.016

See application file for complete search history.

(56) **References Cited**

**U.S. PATENT DOCUMENTS**

1,995,474 A \* 3/1935 Gunther ..... 4/287  
2,793,373 A \* 5/1957 Ewing ..... 241/46.016  
4,161,182 A \* 7/1979 Burton ..... 134/166 C  
D263,415 S \* 3/1982 Roche ..... D23/265  
4,951,914 A \* 8/1990 Meyers et al. .... 249/11  
D330,073 S \* 10/1992 Valls ..... D23/269  
D461,233 S \* 8/2002 Whalen ..... D23/261  
6,619,596 B1 \* 9/2003 Caine et al. .... 248/49  
6,927,199 B2 \* 8/2005 Takemura et al. .... 510/195  
D526,705 S \* 8/2006 Wortmann et al. .... D23/269  
7,748,418 B2 \* 7/2010 Johnson ..... 141/231  
7,926,768 B2 4/2011 Prest  
7,967,225 B1 \* 6/2011 Schulz ..... 241/46.013

D644,306 S \* 8/2011 Douglass, III ..... D23/269  
D648,836 S \* 11/2011 Drenth ..... D23/269  
D654,152 S \* 2/2012 Schulz ..... D23/260  
D673,244 S \* 12/2012 Magargal et al. .... D23/260  
D682,994 S \* 5/2013 Schulz ..... D23/259  
D691,698 S \* 10/2013 Frey ..... D23/206  
D692,391 S \* 10/2013 Kim ..... D13/154  
D696,751 S \* 12/2013 Beagen, Jr. .... D23/269  
D710,977 S \* 8/2014 Chen ..... D23/259  
2005/0194464 A1 \* 9/2005 Bruninga ..... 239/200  
2010/0187812 A1 \* 7/2010 Radzik et al. .... 285/148.28

**OTHER PUBLICATIONS**

Hose Supports, no reference date available online, [site visited Oct. 7, 2014]. Available from internet <URL: [http://www.processsystems.saint-gobain.com/product\\_detail.aspx?id=254846](http://www.processsystems.saint-gobain.com/product_detail.aspx?id=254846)>.\*

Hose Savers, no reference date available online, [site visited Oct. 7, 2014]. Available from internet <URL: <http://www.rubberandaccessories.com/hose-supports.html>>.\*

HD Hose Supports, reference date May 19, 2006 online, [site visited Oct. 7, 2014]. Available from internet <URL: <http://www.unisource-mfg.com/products/oneproduct.php?categoryid=35&productid=128>>.\*

\* cited by examiner

*Primary Examiner* — Eric Goodman

*Assistant Examiner* — Daniel J Domino

(74) *Attorney, Agent, or Firm* — Abel Law Group, LLP; Chi S. Kim

(57) **CLAIM**

The ornamental design for a hose support, as shown and described.

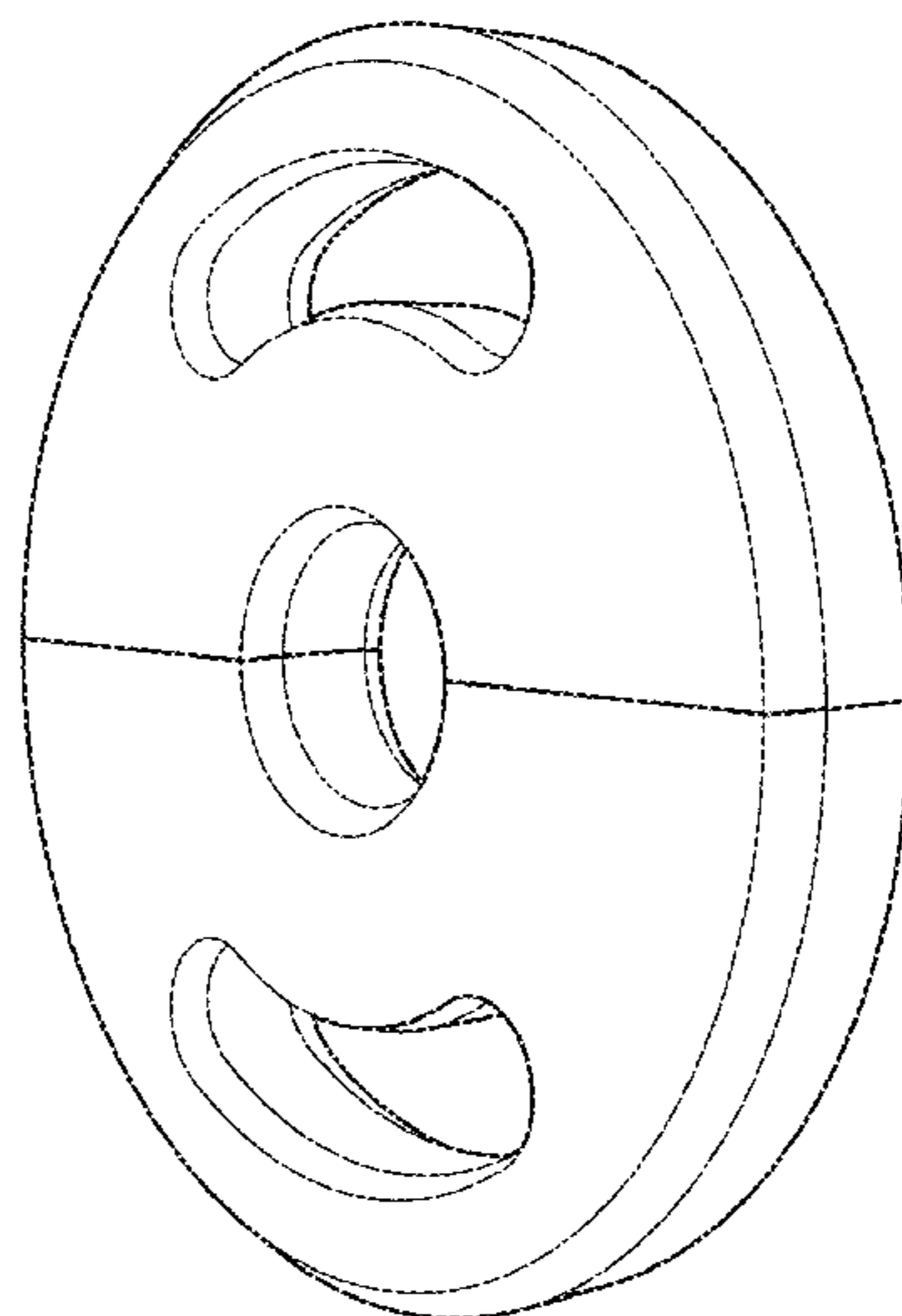
**DESCRIPTION**

FIG. 1 is a perspective view of a hose support showing our new design.

FIG. 2 is a front view thereof; and,

FIG. 3 is a side view thereof.

**1 Claim, 2 Drawing Sheets**



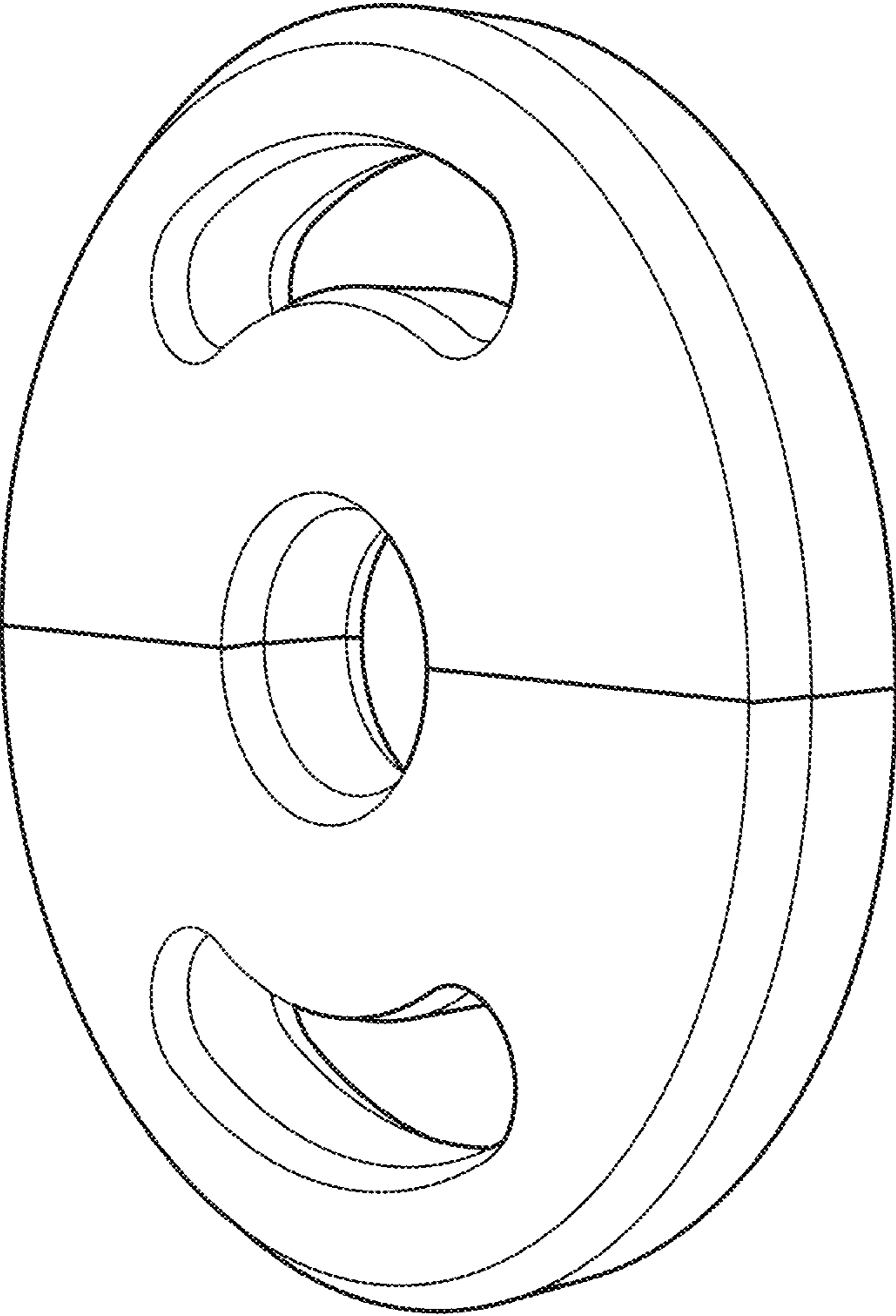


FIG. 1

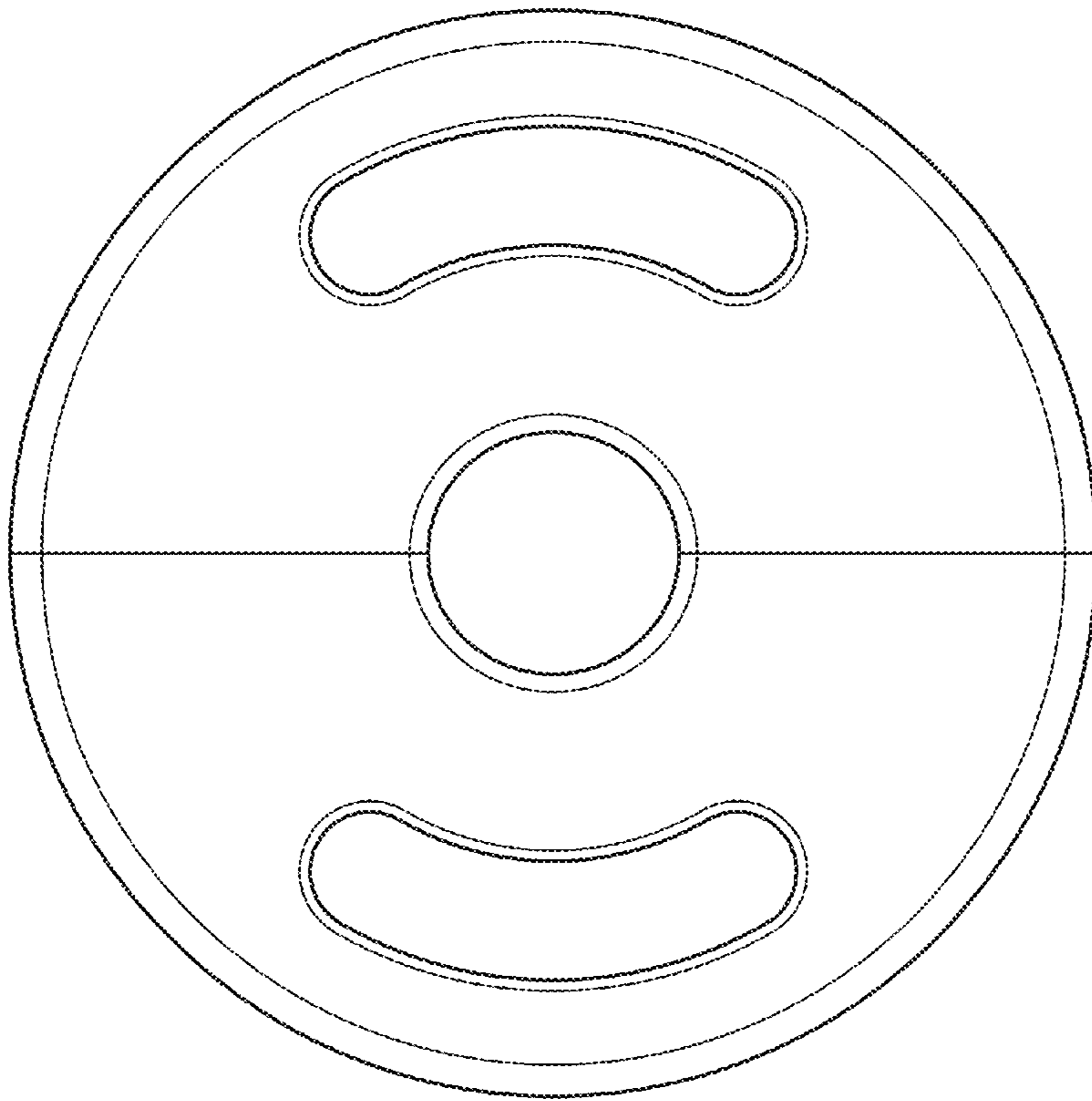


FIG. 2

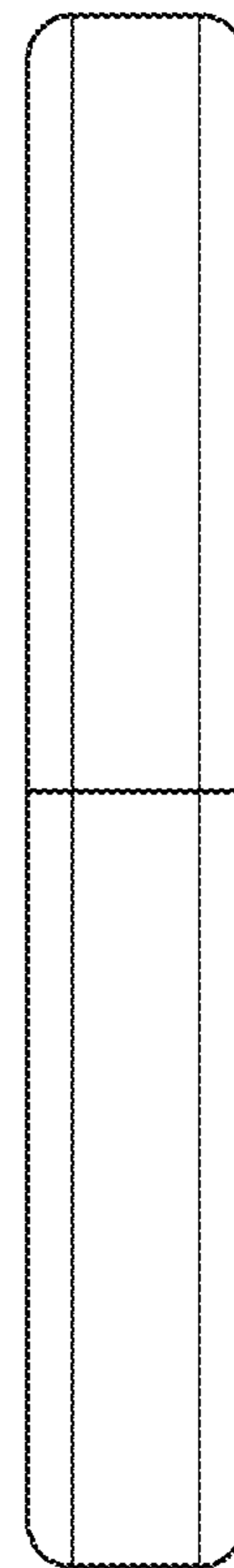


FIG. 3