



US00D725239S

(12) **United States Design Patent**  
**Nakamura**

(10) **Patent No.:** **US D725,239 S**  
(45) **Date of Patent:** **\*\* Mar. 24, 2015**

(54) **PIPE FLANGE SEPARATOR**

(71) Applicant: **Rodney S. Nakamura**, Honolulu, HI  
(US)

(72) Inventor: **Rodney S. Nakamura**, Honolulu, HI  
(US)

(\*\*) Term: **14 Years**

(21) Appl. No.: **29/434,648**

(22) Filed: **Oct. 15, 2012**

(51) **LOC (10) Cl.** ..... **23-01**

(52) **U.S. Cl.**  
USPC ..... **D23/265**

(58) **Field of Classification Search**  
USPC ..... D23/233, 259, 260, 262, 263, 265;  
29/237; 137/247.13, 545, 798; 251/62,  
251/205; D8/349, 354, 382  
See application file for complete search history.

(56) **References Cited**

**U.S. PATENT DOCUMENTS**

|           |     |         |                   |       |         |
|-----------|-----|---------|-------------------|-------|---------|
| 3,419,290 | A * | 12/1968 | Campbell et al.   | ..... | 285/223 |
| 3,502,354 | A * | 3/1970  | Walker            | ..... | 285/24  |
| 4,106,322 | A * | 8/1978  | Moshnin et al.    | ..... | 72/356  |
| 6,112,968 | A * | 9/2000  | Jin et al.        | ..... | 227/2   |
| D706,390  | S * | 6/2014  | McLauchlan et al. | ..... | D23/233 |
| D706,394  | S * | 6/2014  | Evans et al.      | ..... | D23/233 |
| D712,513  | S * | 9/2014  | Kainuma et al.    | ..... | D23/233 |
| D714,909  | S * | 10/2014 | Boothe            | ..... | D23/233 |
| D714,910  | S * | 10/2014 | Roden             | ..... | D23/233 |

|              |      |         |                |       |           |
|--------------|------|---------|----------------|-------|-----------|
| D715,405     | S *  | 10/2014 | McAlpine       | ..... | D23/233   |
| 2003/0230897 | A1 * | 12/2003 | Lundstrom      | ..... | 285/337   |
| 2004/0239114 | A1 * | 12/2004 | Barron et al.  | ..... | 285/337   |
| 2005/0140139 | A1 * | 6/2005  | Lundstrom      | ..... | 285/337   |
| 2005/0224114 | A1 * | 10/2005 | Cook et al.    | ..... | 137/68.14 |
| 2005/0225087 | A1 * | 10/2005 | McMahon et al. | ..... | 285/412   |
| 2006/0096641 | A1 * | 5/2006  | Williams       | ..... | 137/597   |
| 2009/0260216 | A1 * | 10/2009 | Avnon          | ..... | 29/525    |
| 2012/0192393 | A1 * | 8/2012  | Sindelar       | ..... | 29/237    |
| 2014/0101906 | A1 * | 4/2014  | Nakamura       | ..... | 29/237    |

\* cited by examiner

*Primary Examiner* — Eric Goodman

*Assistant Examiner* — Daniel J Domino

(74) *Attorney, Agent, or Firm* — Martin E. Hsia; Keri Ann K. S. Krzykowski

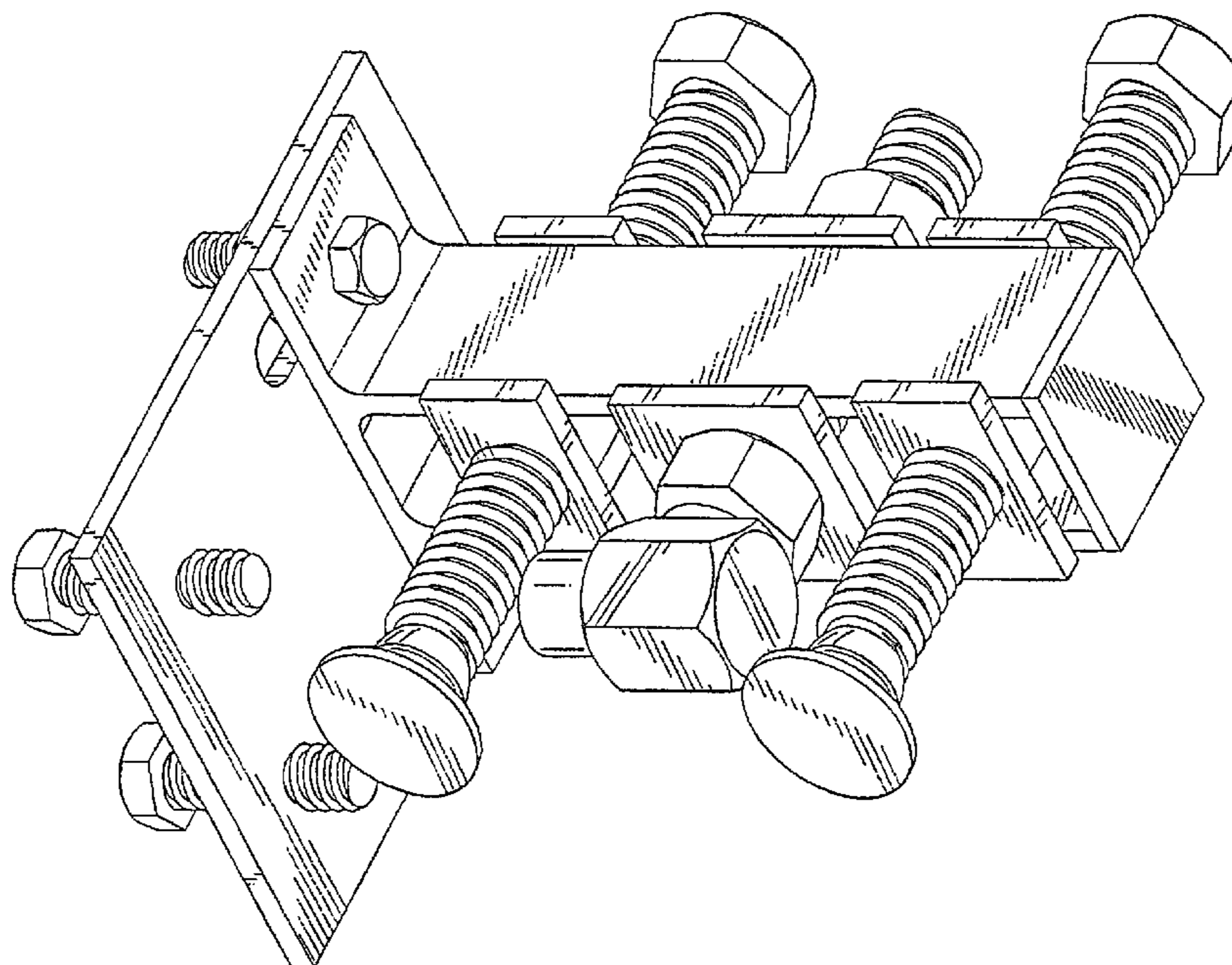
(57) **CLAIM**

The ornamental design for a pipe flange separator, as shown and described.

**DESCRIPTION**

FIG. 1 is a perspective view from the bottom, rear, and right of a pipe flange separator;  
FIG. 2 is a bottom plan view thereof;  
FIG. 3 is a top plan view thereof;  
FIG. 4 is a right elevation view thereof;  
FIG. 5 is a left elevation view thereof;  
FIG. 6 is a rear elevation view thereof; and,  
FIG. 7 is a front elevation view thereof.

**1 Claim, 7 Drawing Sheets**



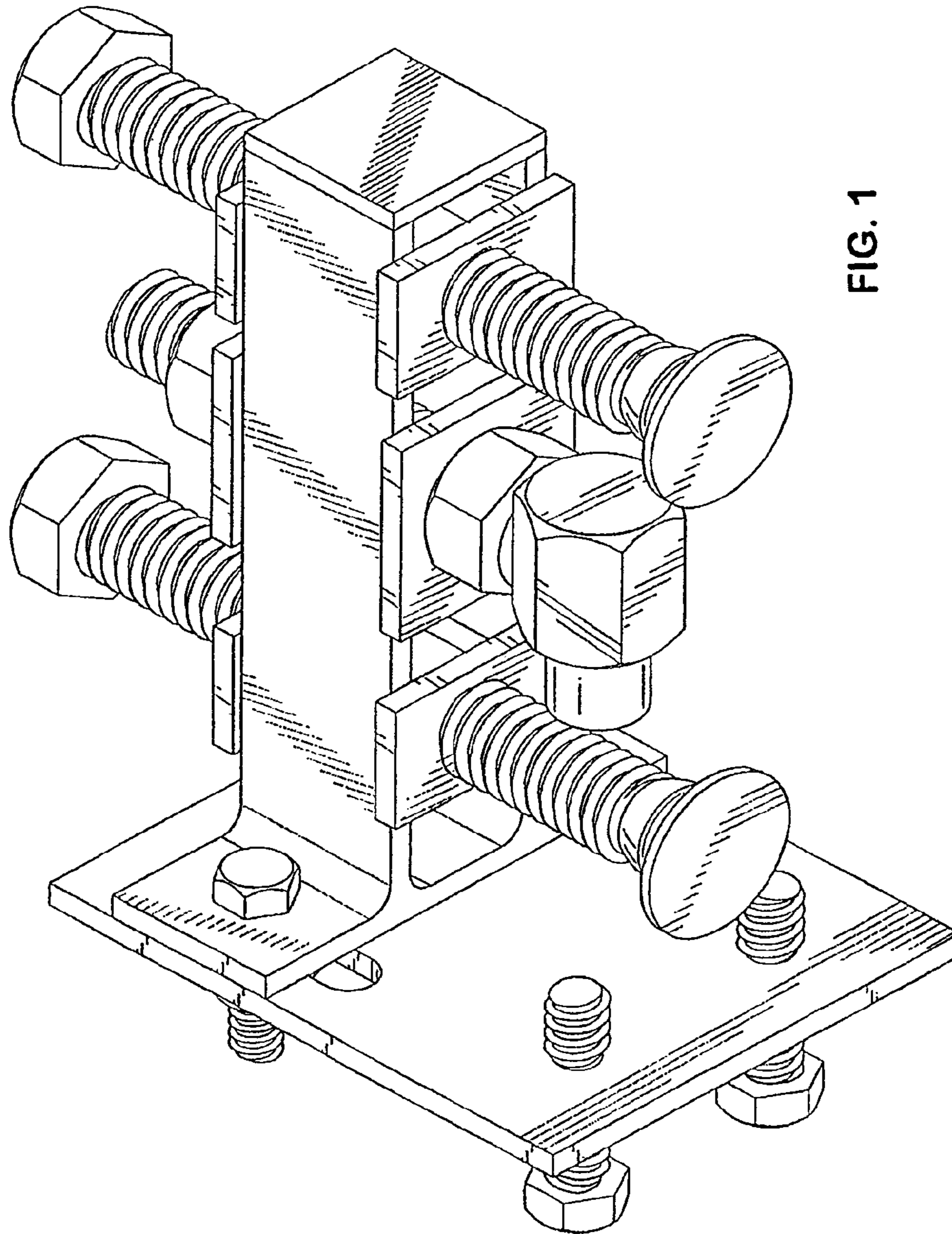


FIG. 1

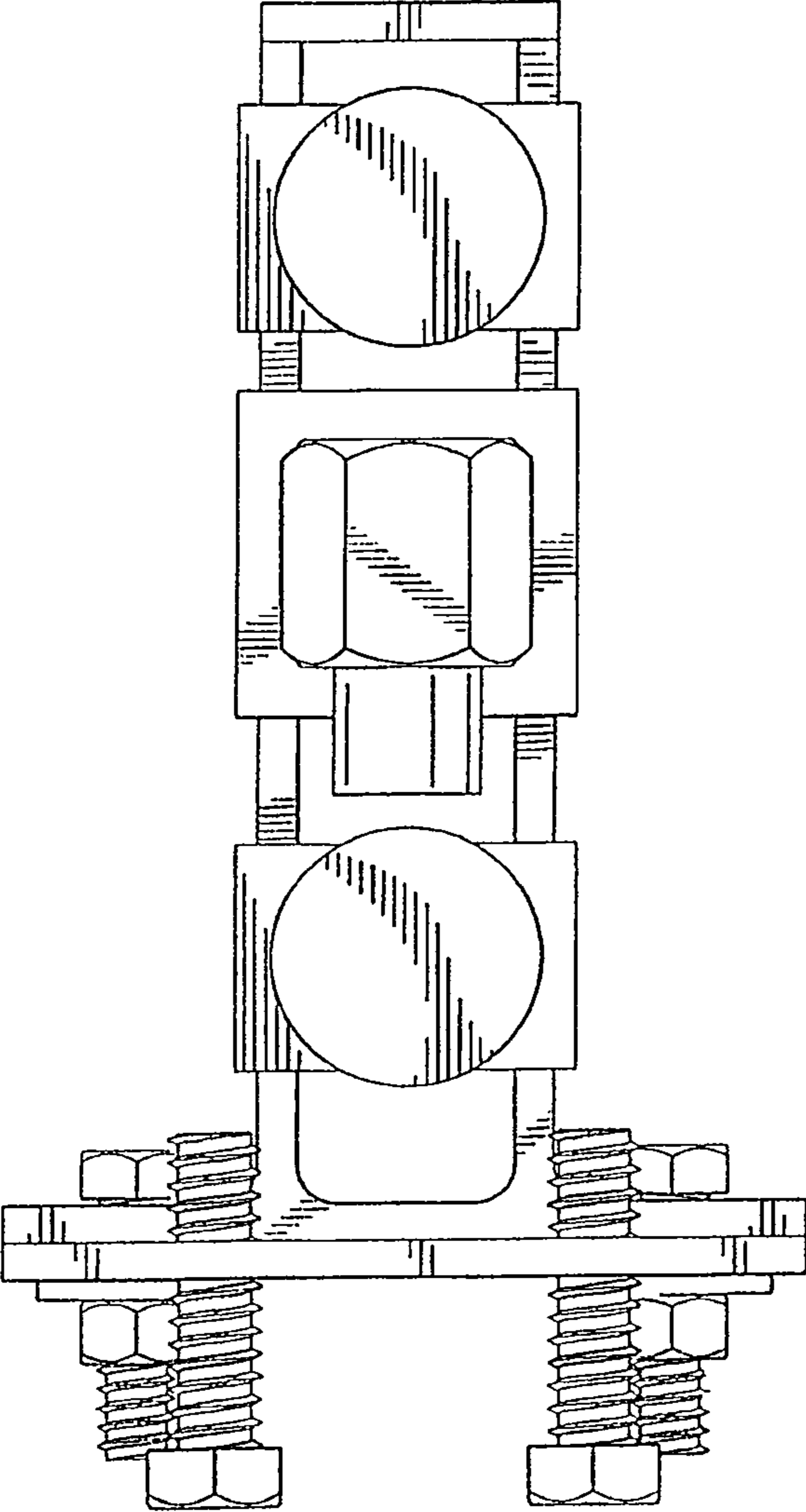


FIG. 2

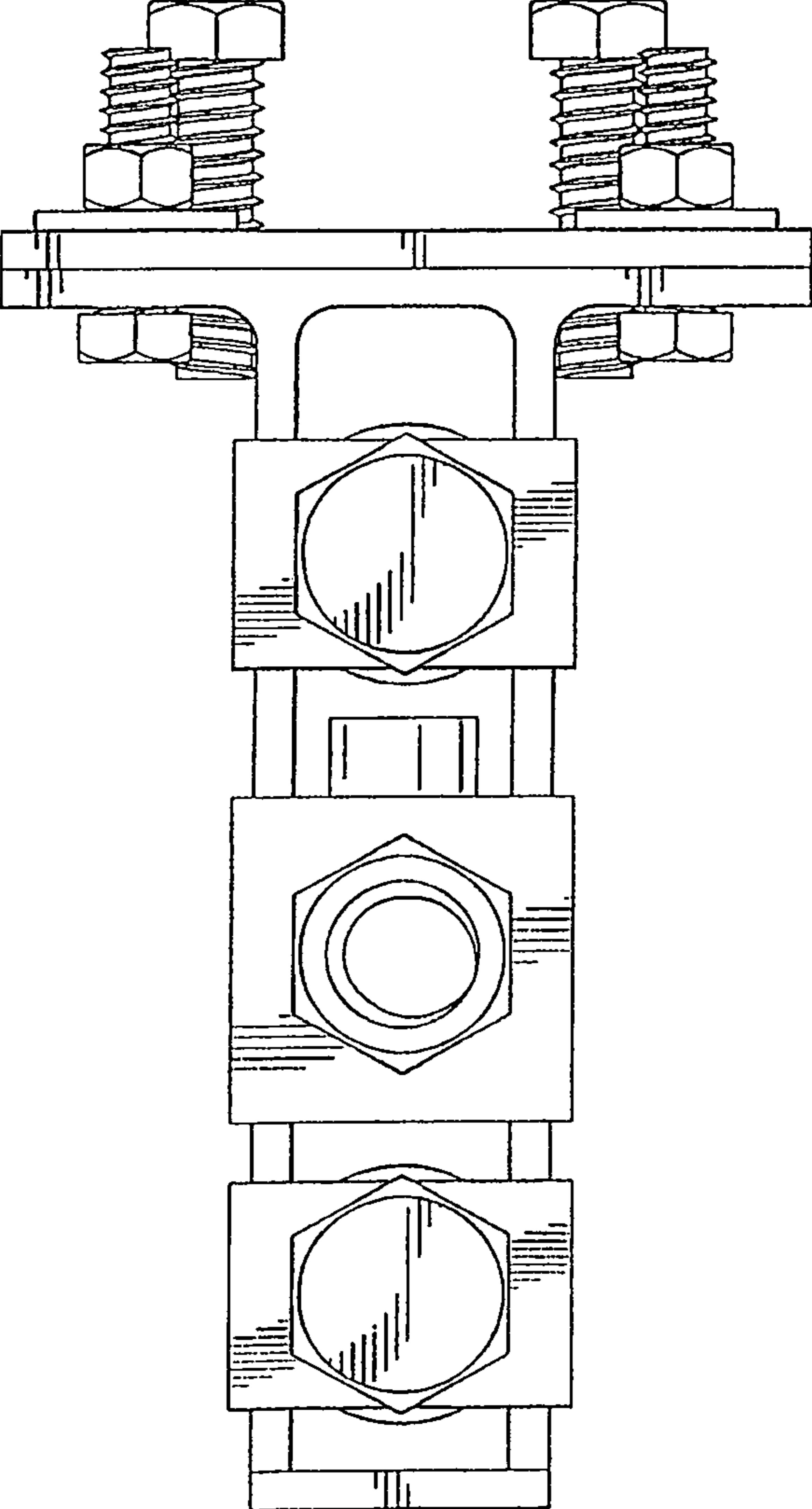


FIG. 3

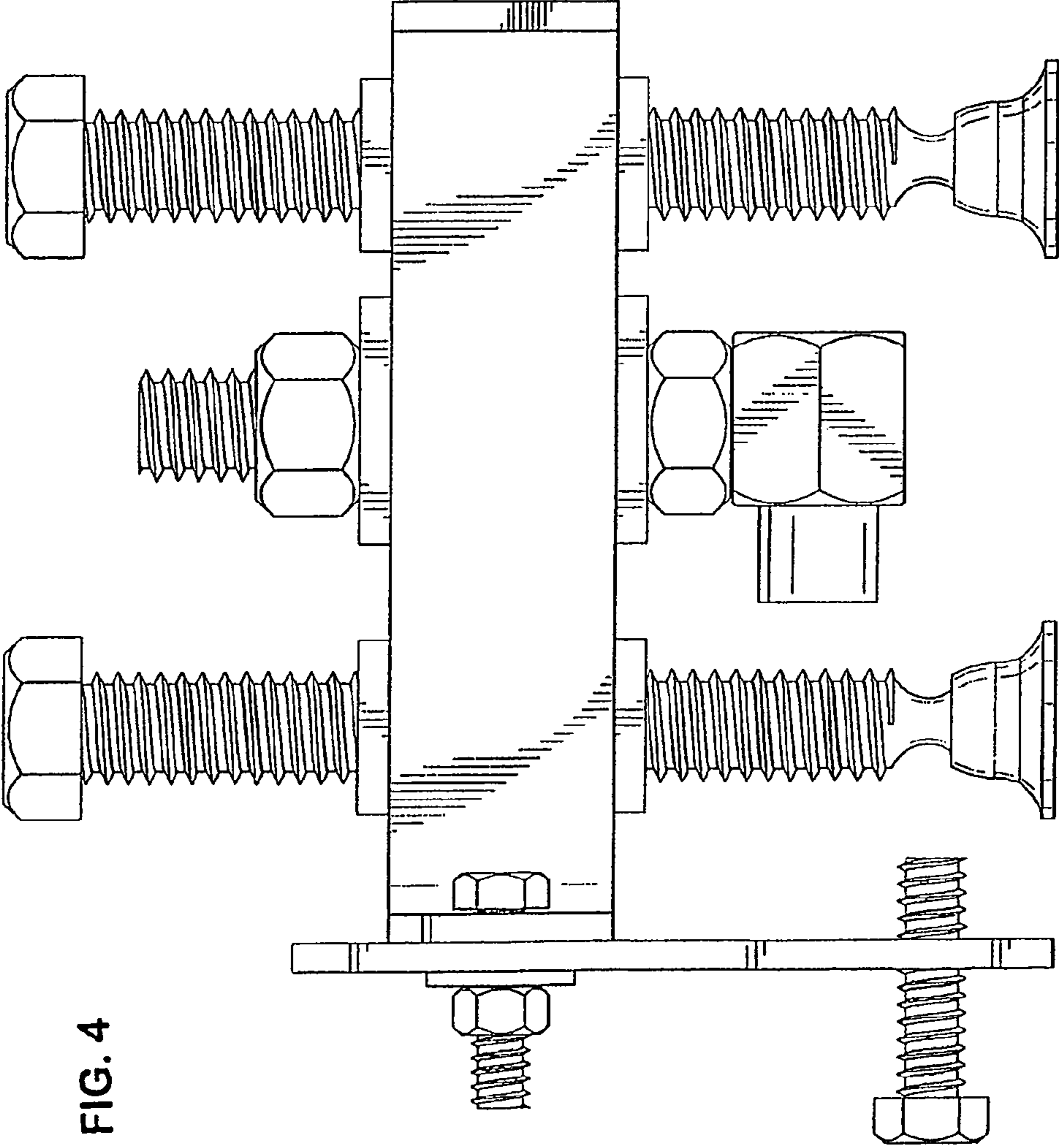


FIG. 4

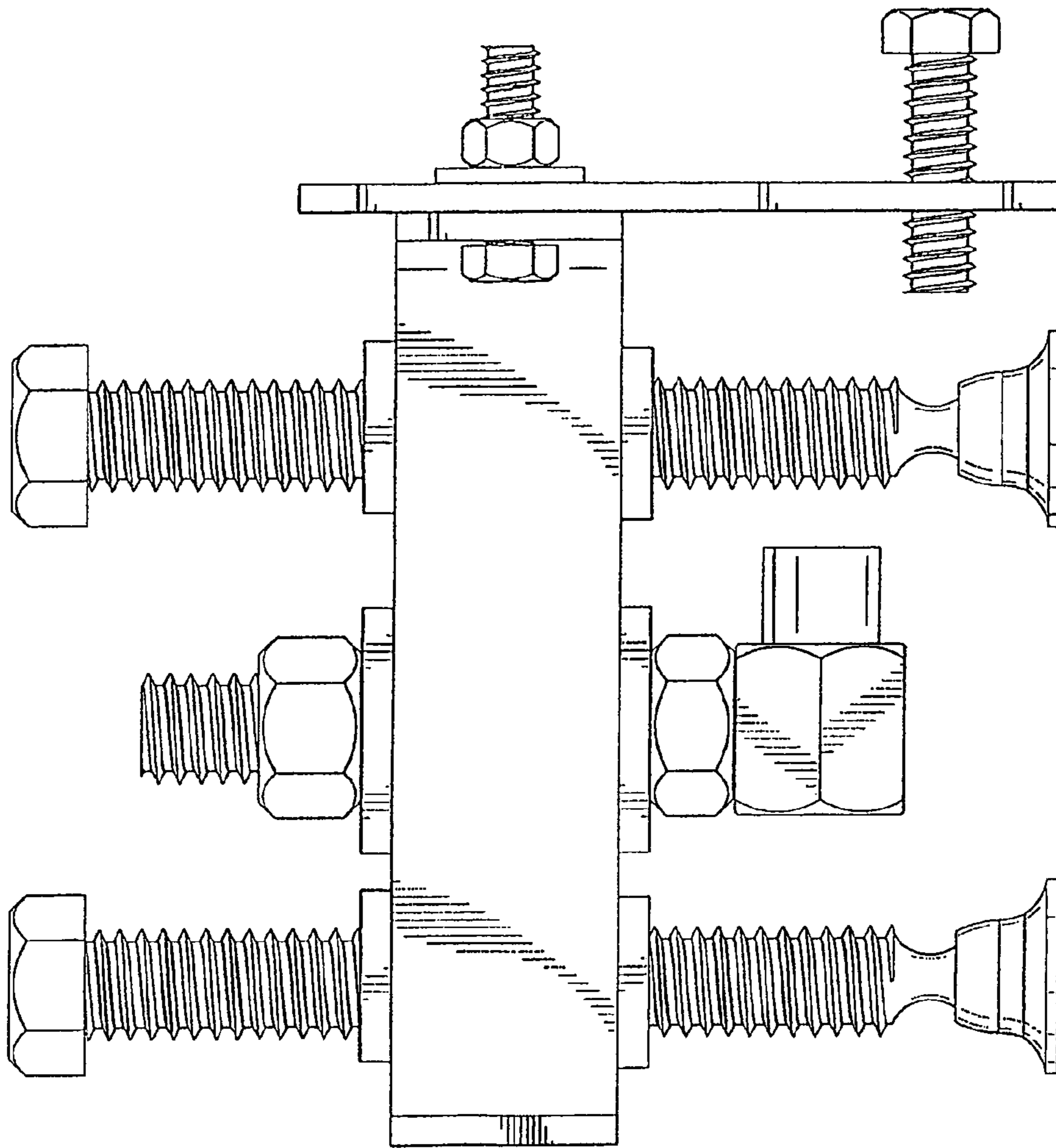


FIG. 5

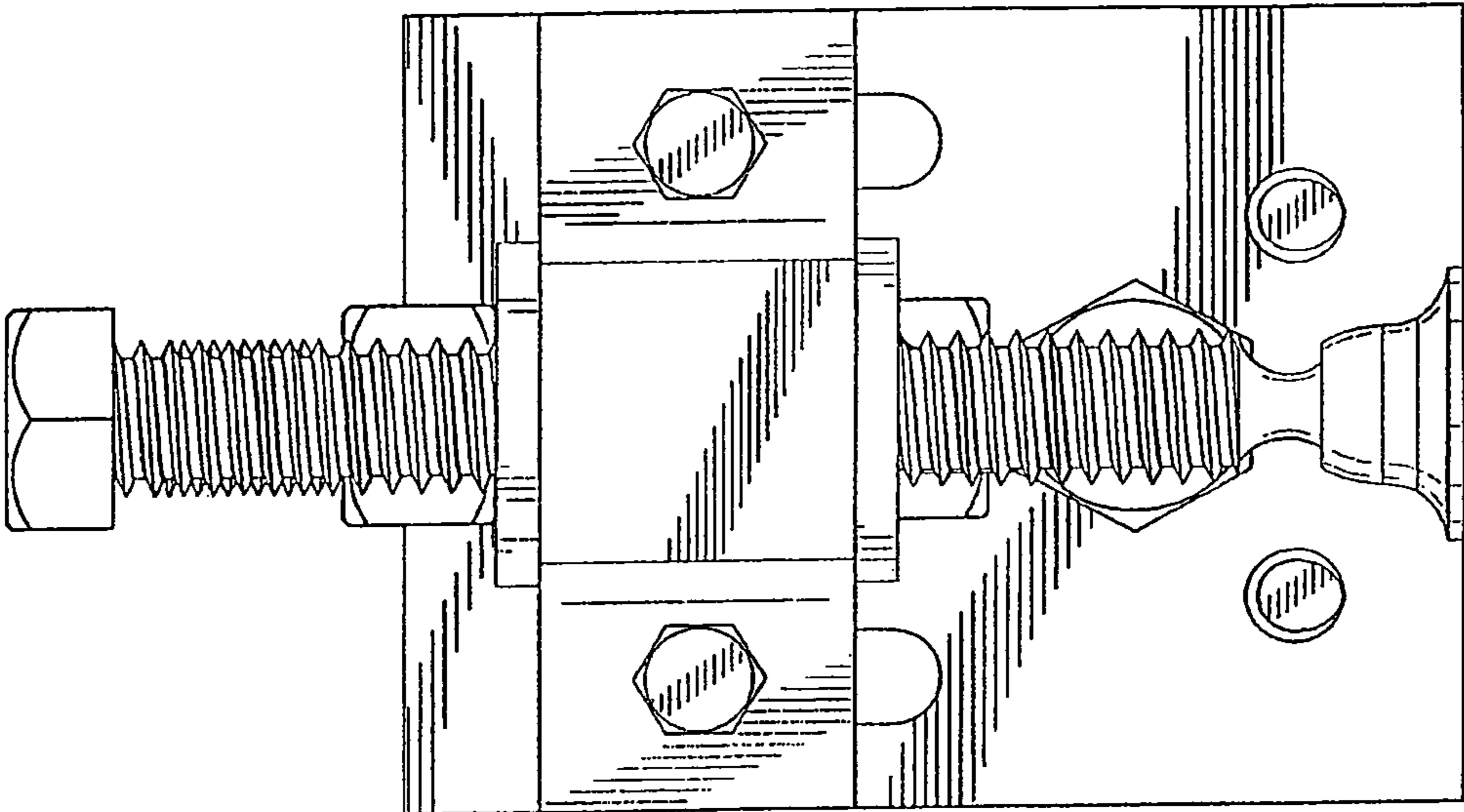


FIG. 6

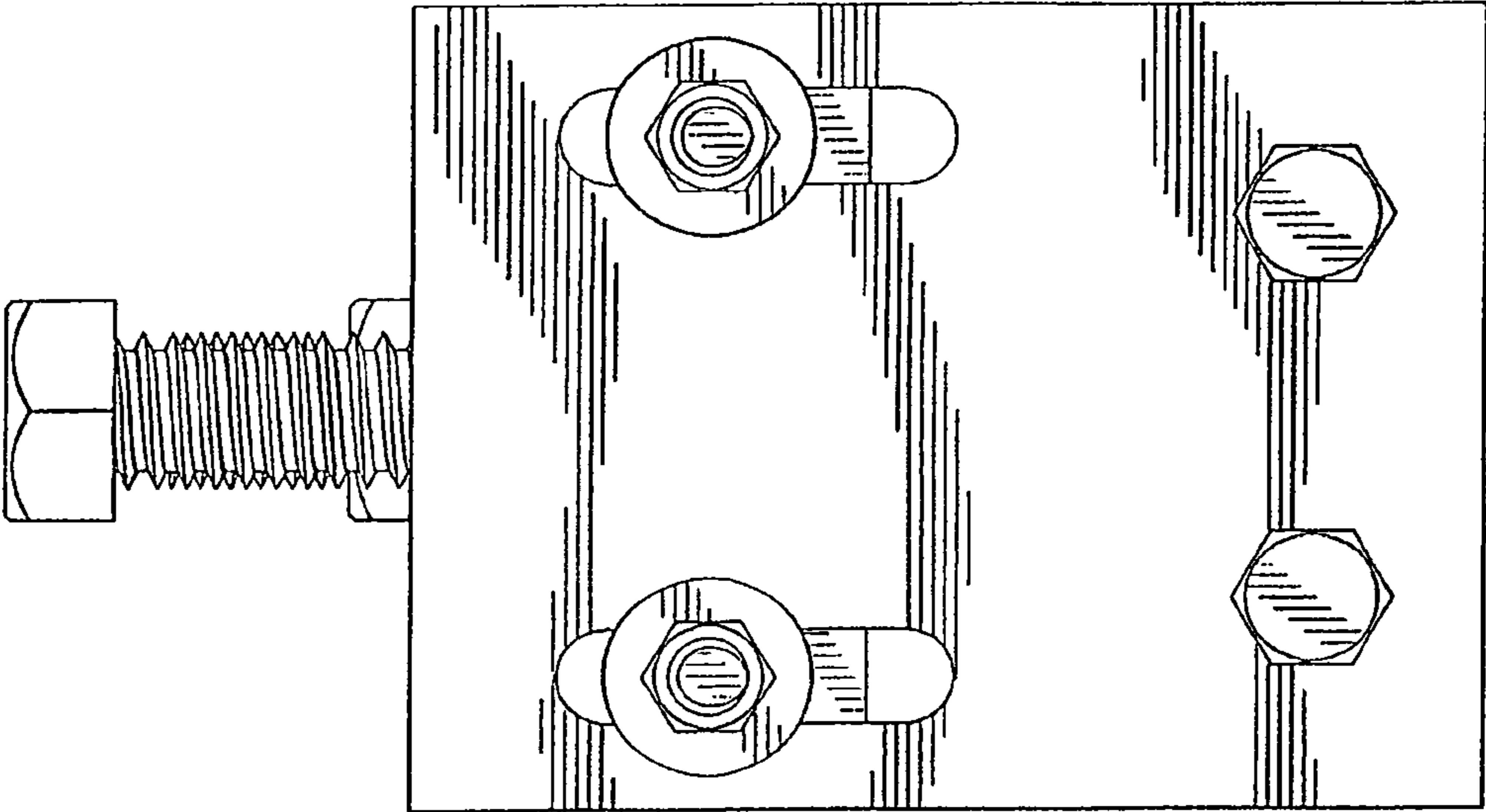


FIG. 7