



US00D725237S

(12) **United States Design Patent**
Barber et al.

(10) **Patent No.:** **US D725,237 S**
(45) **Date of Patent:** **** Mar. 24, 2015**

(54) **SHOWER CONTROL PANEL**

(71) Applicant: **Hansgrohe SE**, Schiltach (DE)

(72) Inventors: **Edward Barber**, London (GB); **Jay Osgerby**, London (GB)

(73) Assignee: **Hansgrohe SE**, Schiltach (DE)

(**) Term: **14 Years**

(21) Appl. No.: **29/507,327**

(22) Filed: **Oct. 27, 2014**

(30) **Foreign Application Priority Data**

Apr. 29, 2014 (EM) 002455196-0009

(51) **LOC (10) Cl.** **23-01**

(52) **U.S. Cl.**
USPC **D23/254**

(58) **Field of Classification Search**
CPC E03C 1/04; E03C 1/0401; E03C 1/0402;
E03C 1/0404

USPC D23/238, 241–243, 249–250, 253–254;
D8/350–358; 137/359; 16/402

See application file for complete search history.

(56) **References Cited**

U.S. PATENT DOCUMENTS

D233,341 S *	10/1974	Arbon	D23/228
D371,433 S *	7/1996	Lobermeier	D23/304
D563,908 S *	3/2008	Kohler et al.	D8/353
D610,237 S *	2/2010	Schönherr et al.	D23/245
D613,825 S *	4/2010	Ishikawa et al.	D23/254
D621,007 S *	8/2010	Bardsley et al.	D23/254
D627,444 S *	11/2010	Yokoyama et al.	D23/254
D705,401 S *	5/2014	Schoenherr et al.	D23/254

* cited by examiner

Primary Examiner — Robert Delehanty

(74) *Attorney, Agent, or Firm* — Lora J. Graentzdoerffer

(57) **CLAIM**

The ornamental design for a shower control panel, as shown and described.

DESCRIPTION

FIG. 1 is a perspective view of a shower control panel showing our design;

FIG. 2 is a front elevation view;

FIG. 3 is a rear elevation view;

FIG. 4 is a left side elevation view; where the right side elevation view is a mirror image thereof;

FIG. 5 is a top plan view; and,

FIG. 6 is a bottom plan view.

The broken lines indicate portions of the shower control panel that form no part of the claimed design.

1 Claim, 6 Drawing Sheets

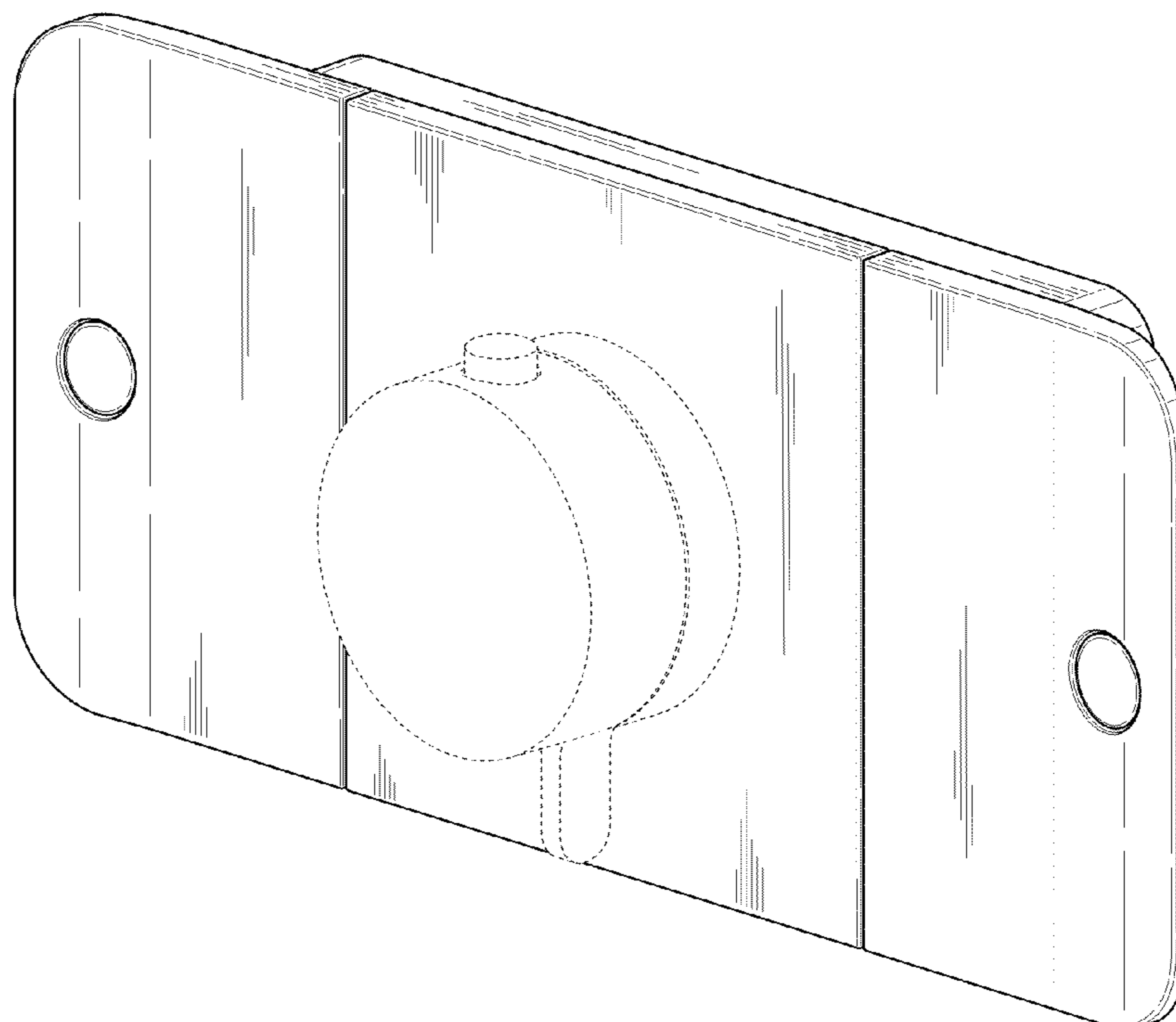


FIG. 1

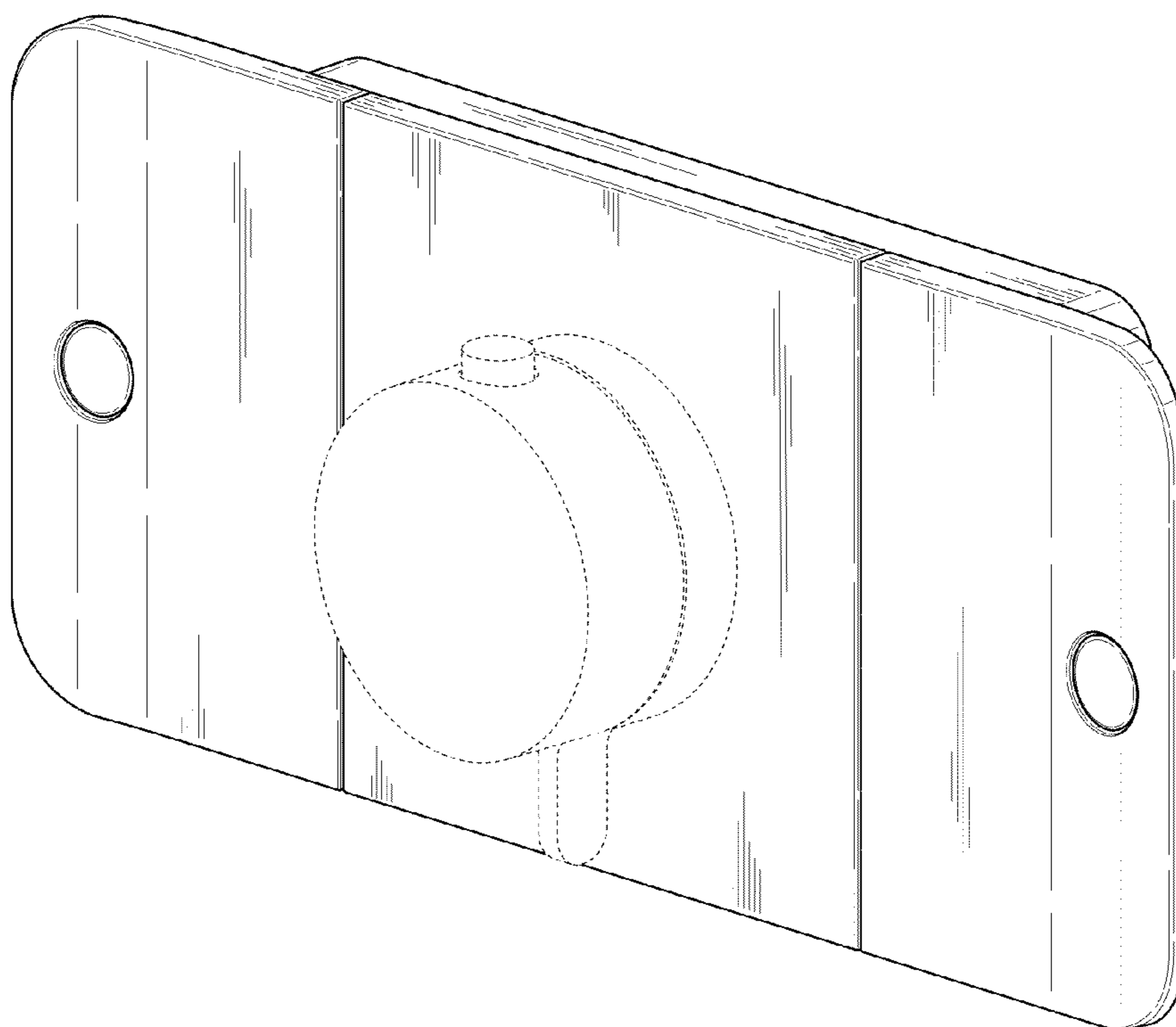


FIG. 2

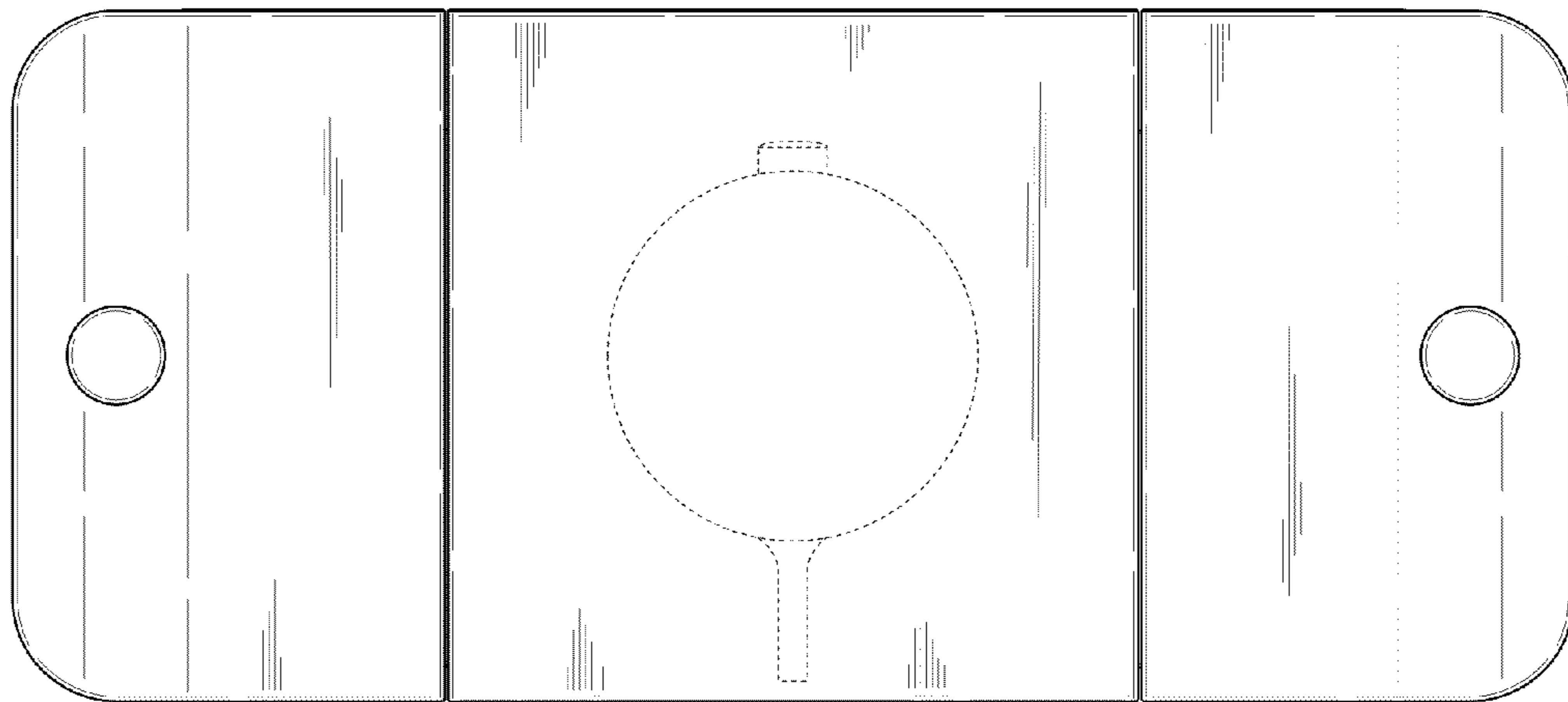


FIG. 3

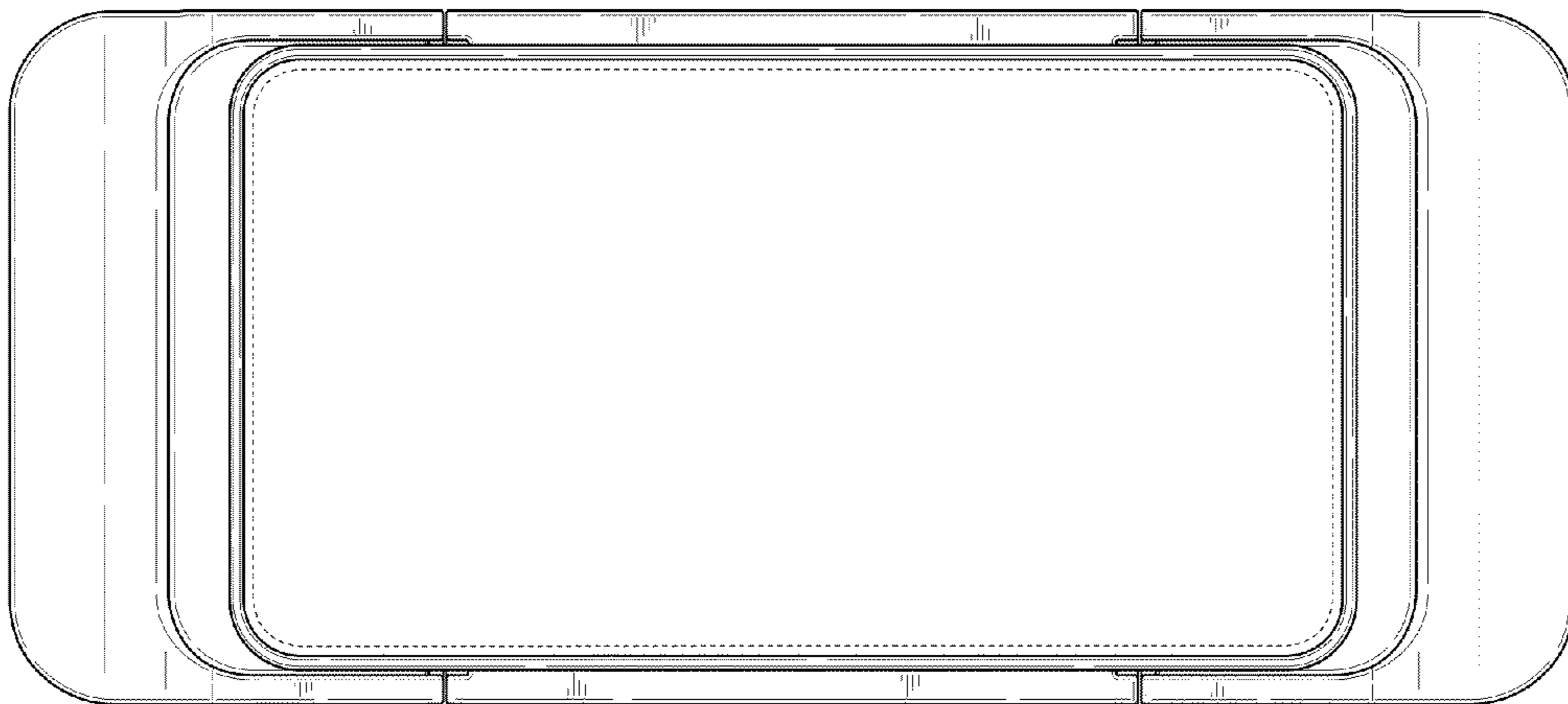


FIG. 4

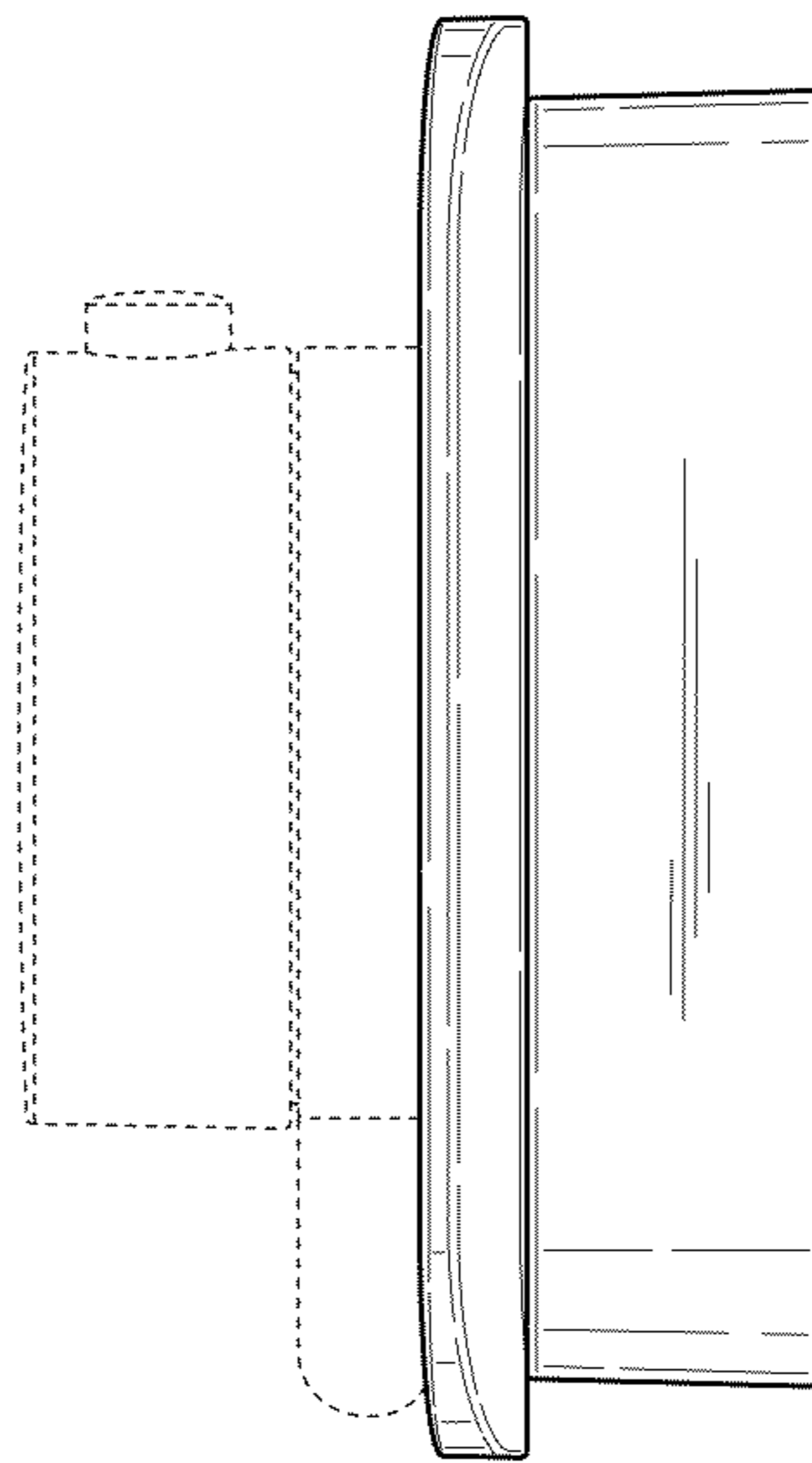


FIG. 5

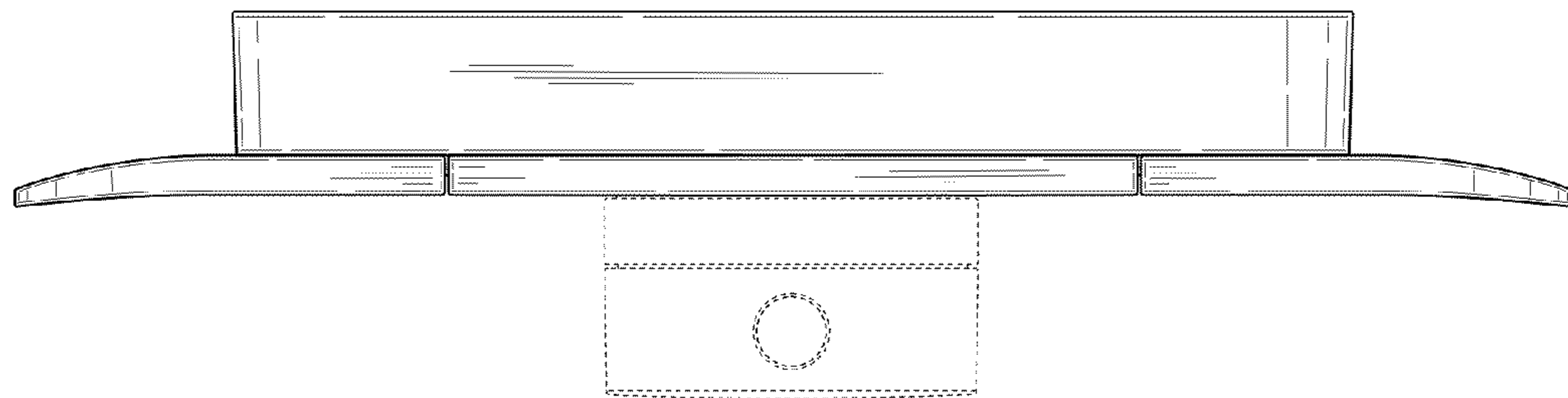


FIG. 6

