



US00D725235S

(12) **United States Design Patent**
Barber et al.

(10) **Patent No.:** **US D725,235 S**
(45) **Date of Patent:** **** Mar. 24, 2015**

(54) **SHOWER CONTROL PANEL**
(71) Applicant: **Hansgrohe SE**, Schiltach (DE)
(72) Inventors: **Edward Barber**, London (GB); **Jay Osgerby**, London (GB)
(73) Assignee: **Hansgrohe SE**, Schiltach (DE)
(**) Term: **14 Years**
(21) Appl. No.: **29/507,320**
(22) Filed: **Oct. 27, 2014**

(30) **Foreign Application Priority Data**
Apr. 29, 2014 (EM) 002455196-0002
(51) **LOC (10) Cl.** **23-01**
(52) **U.S. Cl.**
USPC **D23/254**
(58) **Field of Classification Search**
CPC E03C 1/04; E03C 1/0401; E03C 1/0402;
E03C 1/0404
USPC D23/238, 241–243, 249–250, 253–254;
D8/350–358; 137/359; 16/402
See application file for complete search history.

(56) **References Cited**
U.S. PATENT DOCUMENTS
D233,341 S * 10/1974 Arbon D23/228
D371,433 S * 7/1996 Lobermeier D23/304
D496,435 S * 9/2004 Otero D23/252

D539,875 S * 4/2007 Starck D23/254
D563,908 S * 3/2008 Kohler et al. D8/353
D597,632 S * 8/2009 Obara et al. D23/250
D610,237 S * 2/2010 Schonherr et al. D23/245
D613,825 S * 4/2010 Ishikawa et al. D23/254
D621,007 S * 8/2010 Bardsley et al. D23/254
D627,444 S * 11/2010 Yokoyama et al. D23/254
D700,292 S * 2/2014 Schoenherr et al. D23/254
D700,297 S * 2/2014 Flowers et al. D23/254

* cited by examiner
Primary Examiner — Robert Delehanty
(74) *Attorney, Agent, or Firm* — Lora J. Graentzdoerffer

(57) **CLAIM**
The ornamental design for a shower control panel, as shown and described.

DESCRIPTION
FIG. 1 is a perspective view of a shower control panel showing our design;
FIG. 2 is a front elevation view;
FIG. 3 is a rear elevation view;
FIG. 4 is a left side elevation view; wherein the right side elevation view is a mirror image thereof;
FIG. 5 is a top plan view; and,
FIG. 6 is a bottom plan view.
The broken lines indicate portions of the shower control panel that form no part of the claimed design.

1 Claim, 6 Drawing Sheets

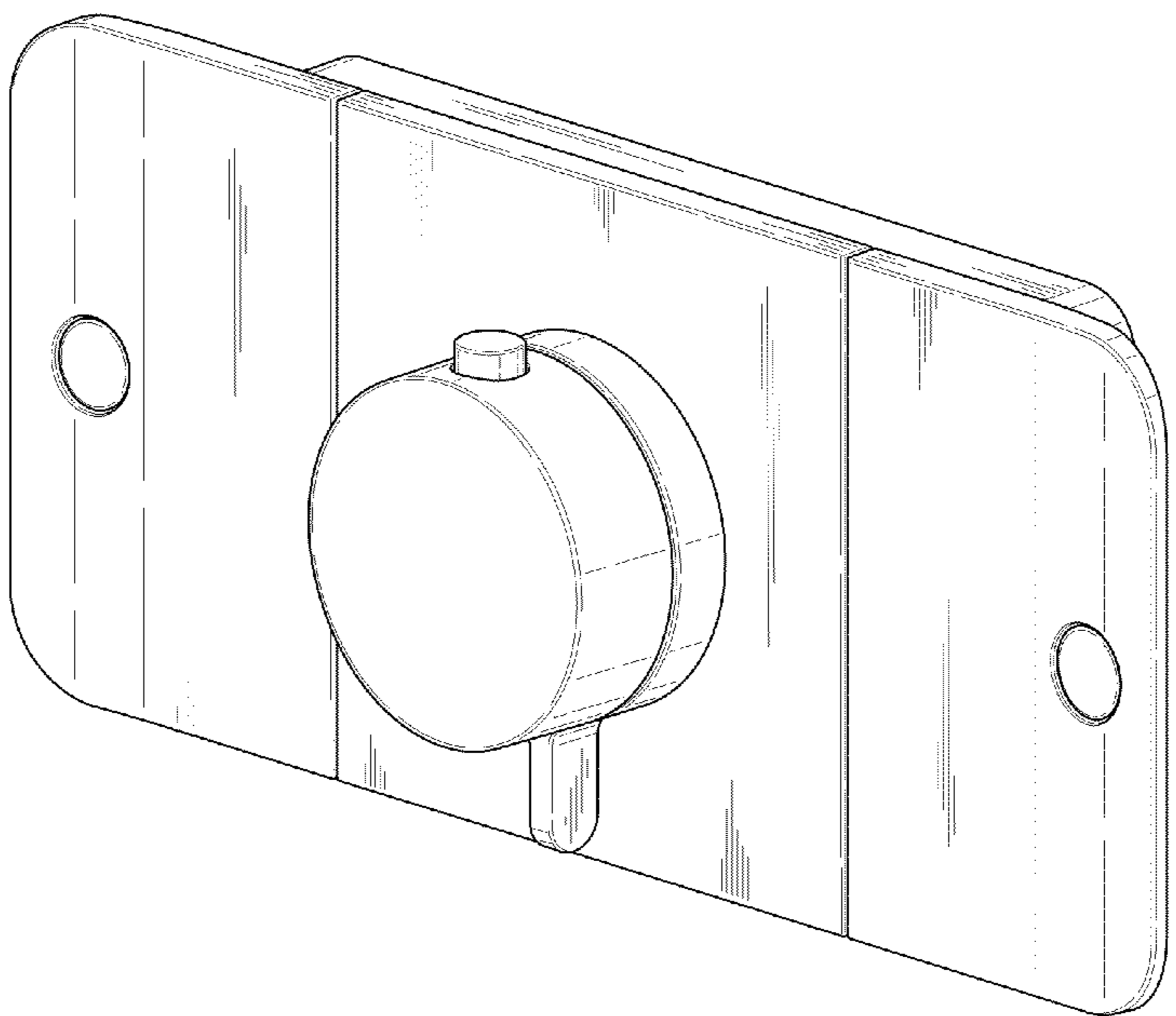


FIG. 1

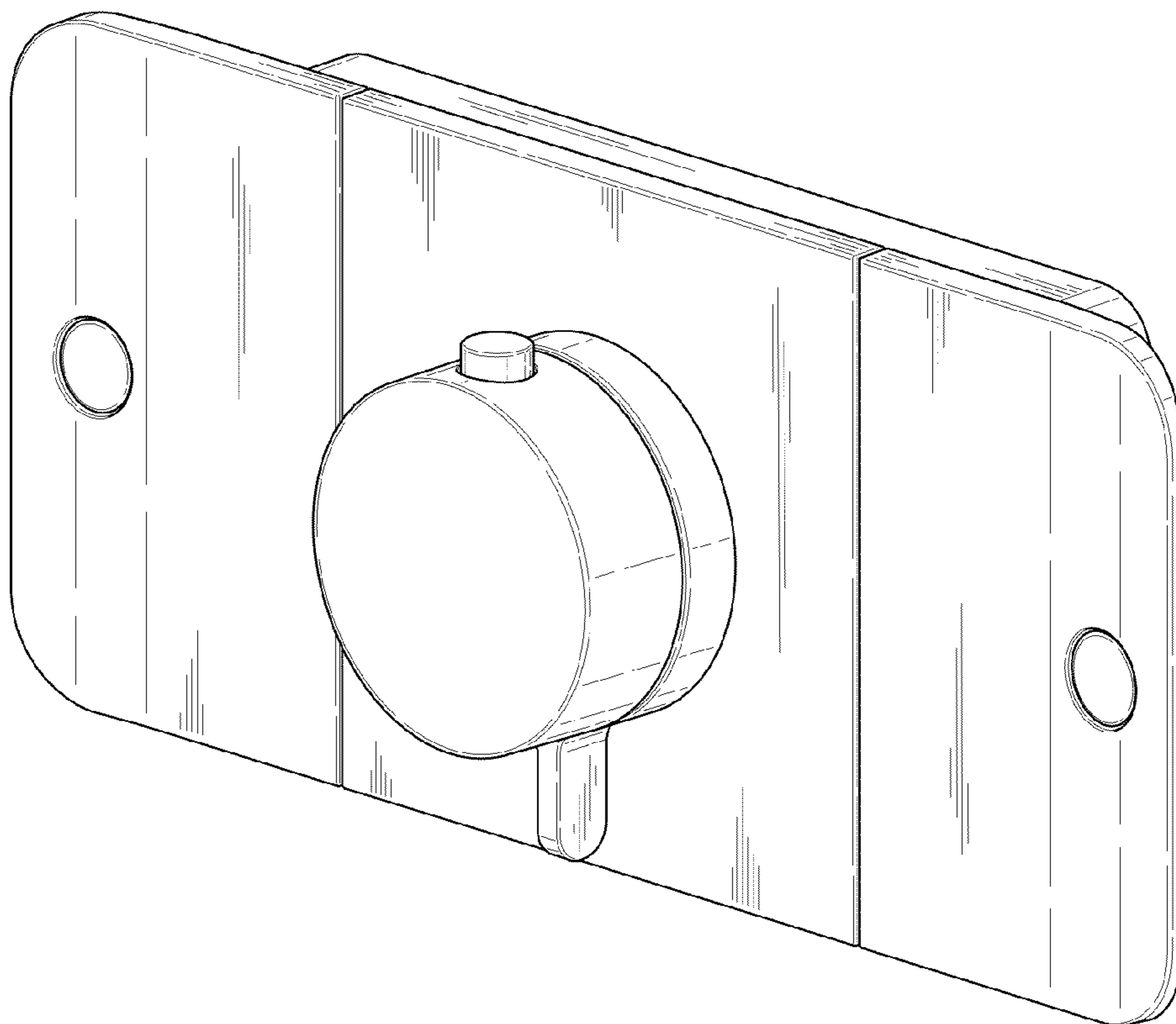


FIG. 2

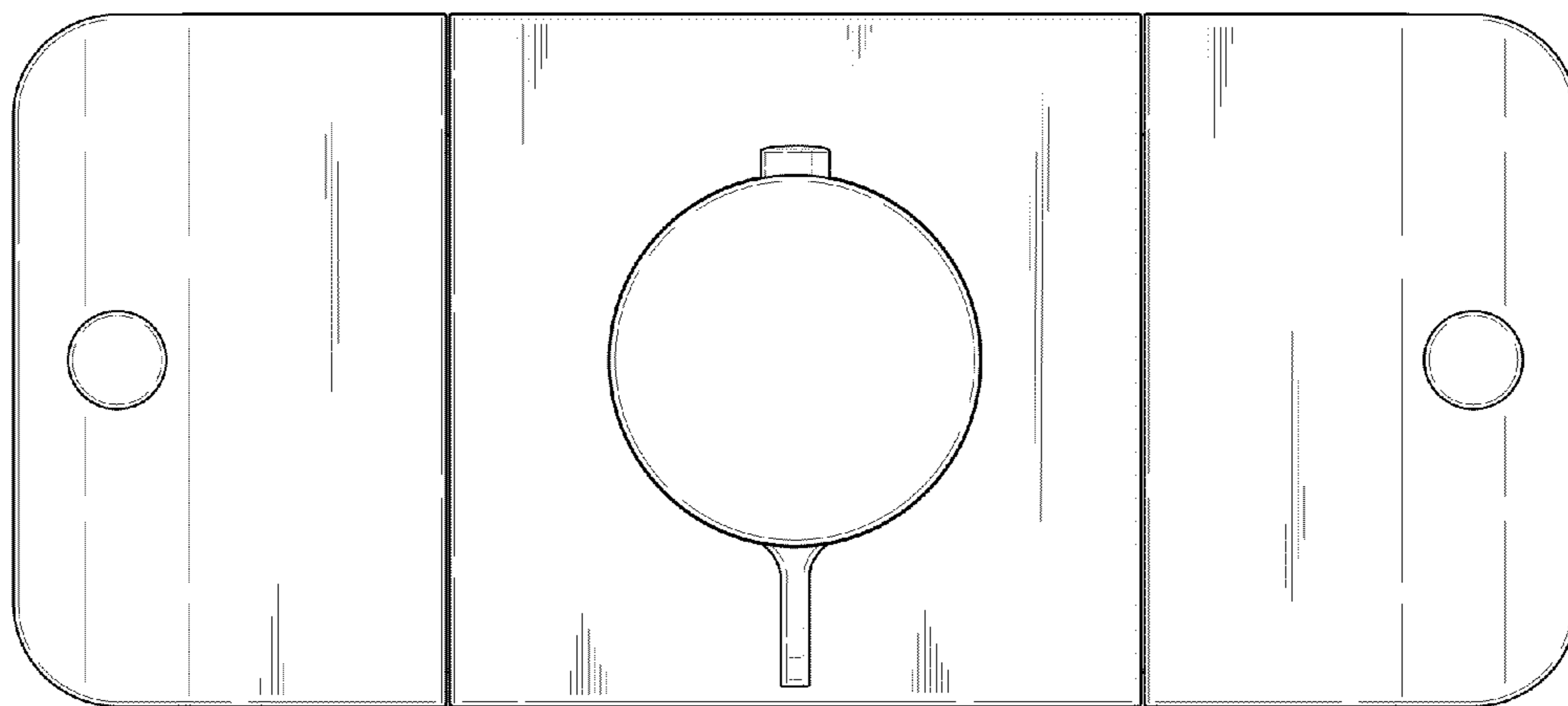


FIG. 3

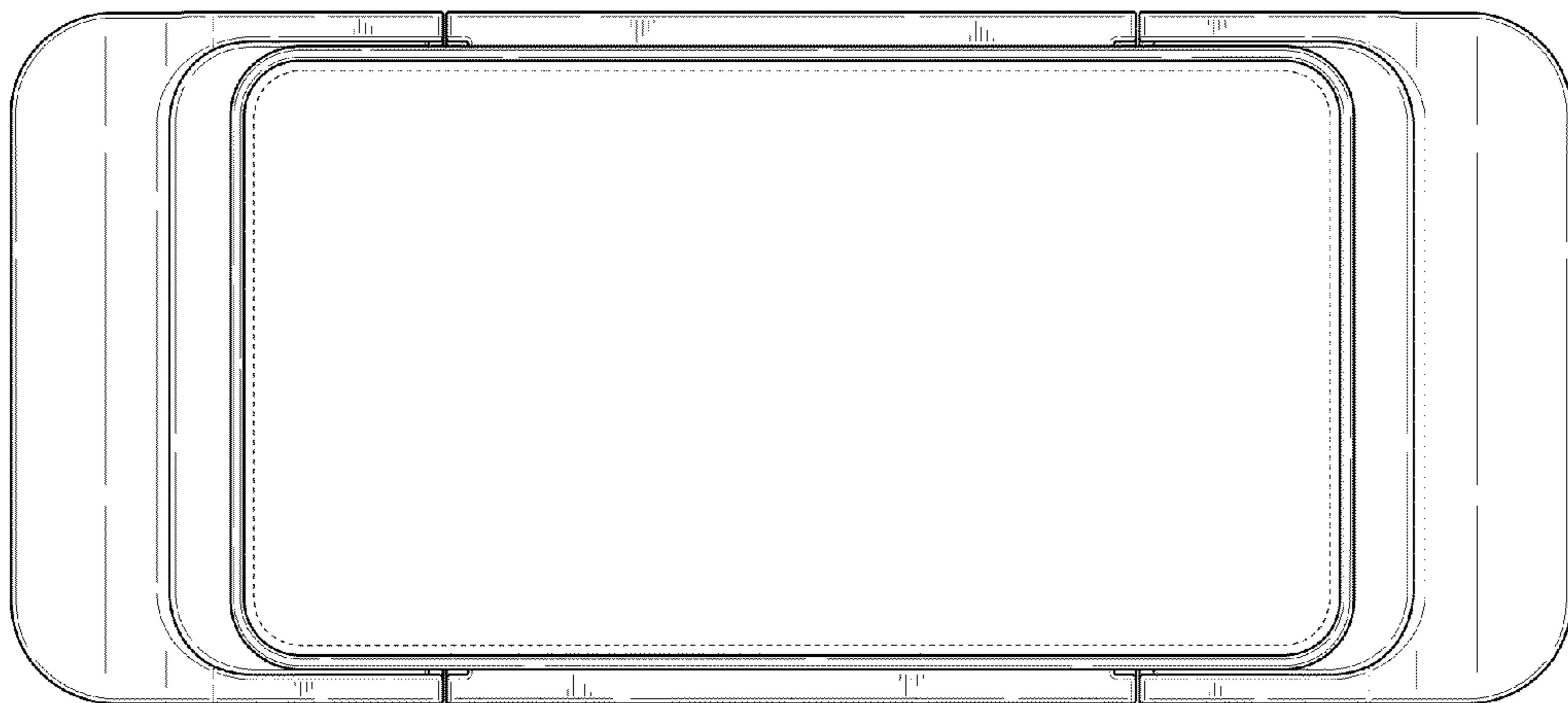


FIG. 4

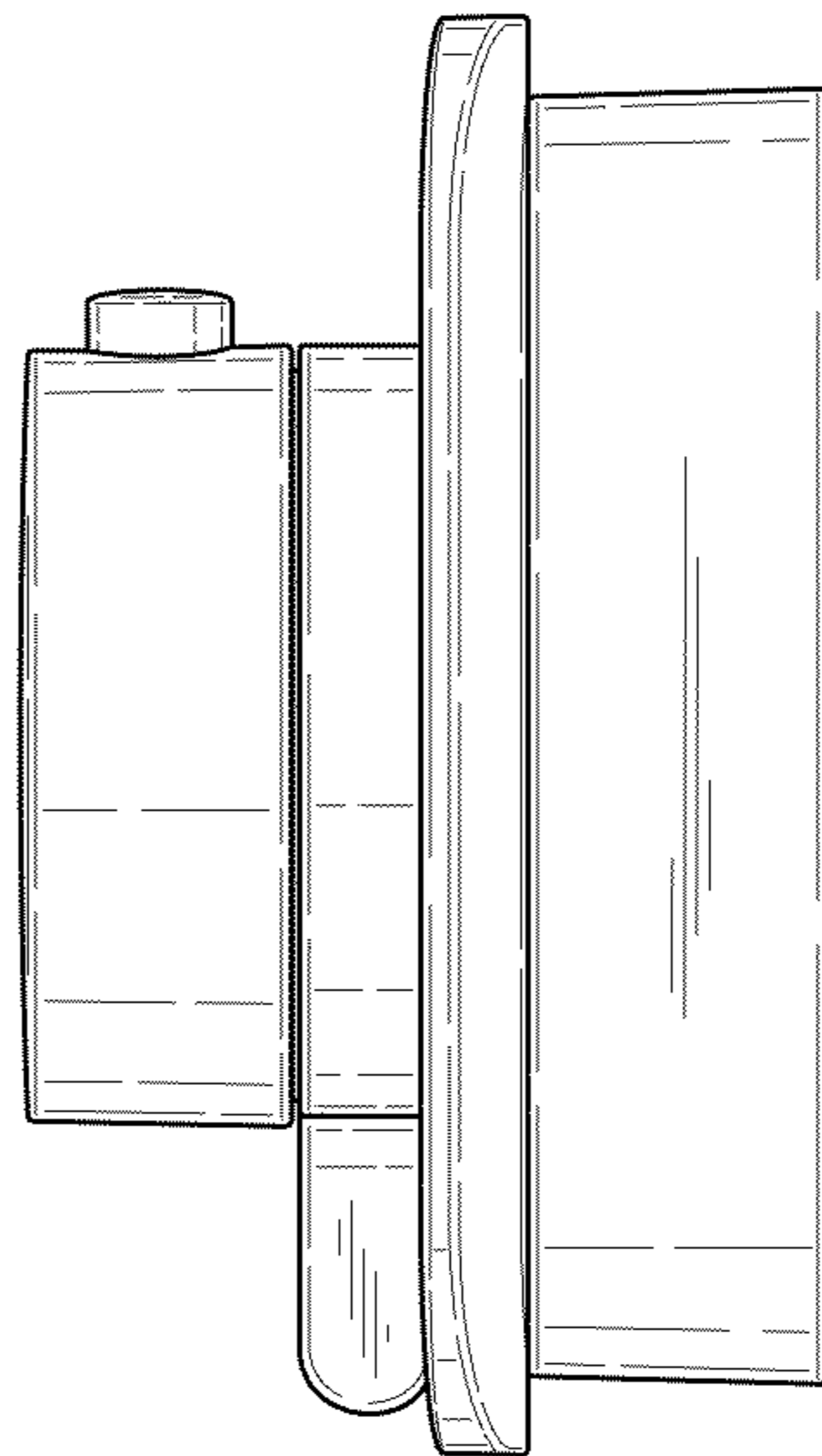


FIG. 5

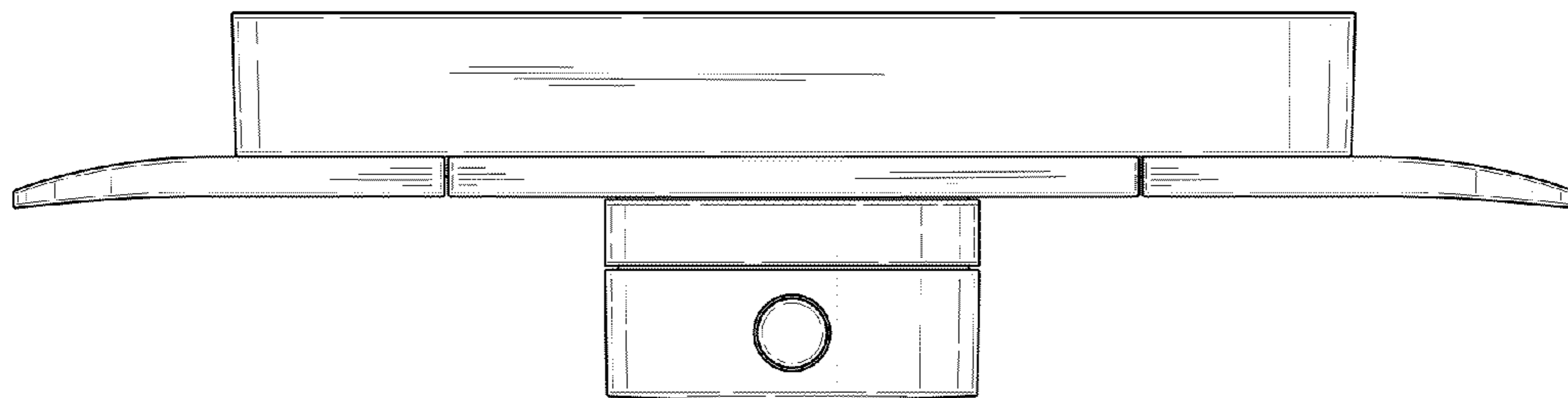


FIG. 6

