



US00D725234S

(12) **United States Design Patent**  
**Barber et al.**

(10) **Patent No.:** **US D725,234 S**  
(45) **Date of Patent:** **\*\* Mar. 24, 2015**

(54) **SHOWER CONTROL PANEL**  
(71) Applicant: **Hansgrohe SE**, Schiltach (DE)  
(72) Inventors: **Edward Barber**, London (GB); **Jay Osgerby**, London (GB)  
(73) Assignee: **Hansgrohe SE**, Schiltach (DE)  
(\*\*) Term: **14 Years**  
(21) Appl. No.: **29/507,319**  
(22) Filed: **Oct. 27, 2014**

(30) **Foreign Application Priority Data**  
Apr. 29, 2014 (EM) ..... 002455196-0001  
(51) **LOC (10) Cl.** ..... **23-01**  
(52) **U.S. Cl.**  
USPC ..... **D23/254**  
(58) **Field of Classification Search**  
CPC ..... E03C 1/04; E03C 1/0401; E03C 1/0402;  
E03C 1/0404  
USPC ..... D23/238, 241–243, 249–250, 253–254;  
D8/350–358; 137/359; 16/402  
See application file for complete search history.

(56) **References Cited**  
U.S. PATENT DOCUMENTS  
D233,341 S \* 10/1974 Arbon ..... D23/228  
D371,433 S \* 7/1996 Lobermeier ..... D23/304  
D496,435 S \* 9/2004 Otero ..... D23/252

D539,875 S \* 4/2007 Starck ..... D23/254  
D563,908 S \* 3/2008 Kohler et al. .... D8/353  
D597,632 S \* 8/2009 Obara et al. .... D23/250  
D610,237 S \* 2/2010 Schonherr et al. .... D23/245  
D613,825 S \* 4/2010 Ishikawa et al. .... D23/254  
D621,007 S \* 8/2010 Bardsley et al. .... D23/254  
D627,444 S \* 11/2010 Yokoyama et al. .... D23/254  
D700,291 S \* 2/2014 Schoenherr et al. .... D23/254  
D700,297 S \* 2/2014 Flowers et al. .... D23/254

\* cited by examiner  
*Primary Examiner* — Robert Delehanty  
(74) *Attorney, Agent, or Firm* — Lora J. Graentzdoerffer

(57) **CLAIM**  
The ornamental design for a shower control panel, as shown and described.

**DESCRIPTION**  
FIG. 1 is a perspective view of a shower control panel showing our design;  
FIG. 2 is a front elevation view;  
FIG. 3 is a rear elevation view;  
FIG. 4 is a left side elevation view;  
FIG. 5 is a right side elevation view;  
FIG. 6 is a top plan view; and,  
FIG. 7 is a bottom plan view.  
The broken lines indicate portions of the shower control panel that form no part of the claimed design.

**1 Claim, 7 Drawing Sheets**

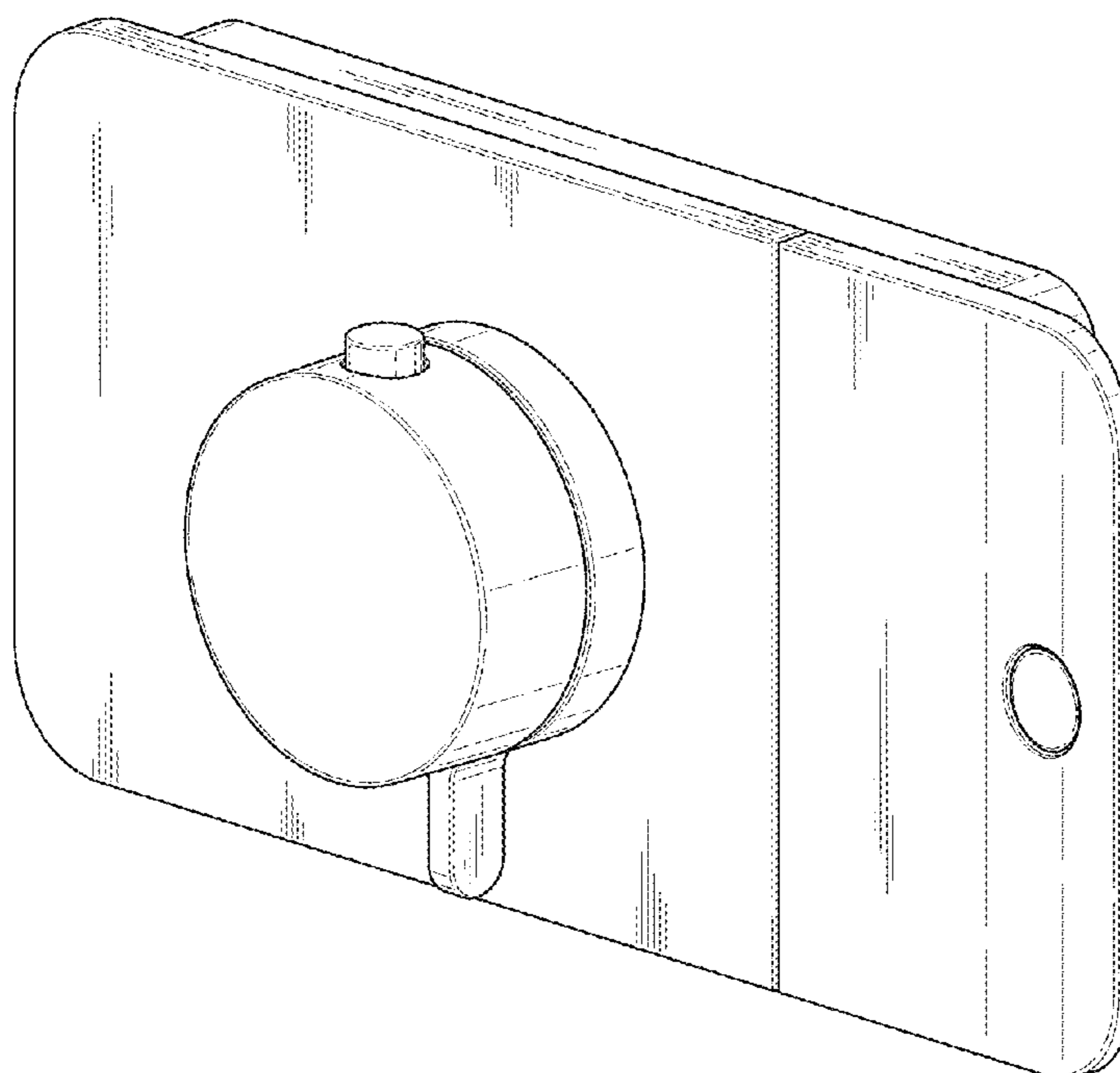


FIG. 1

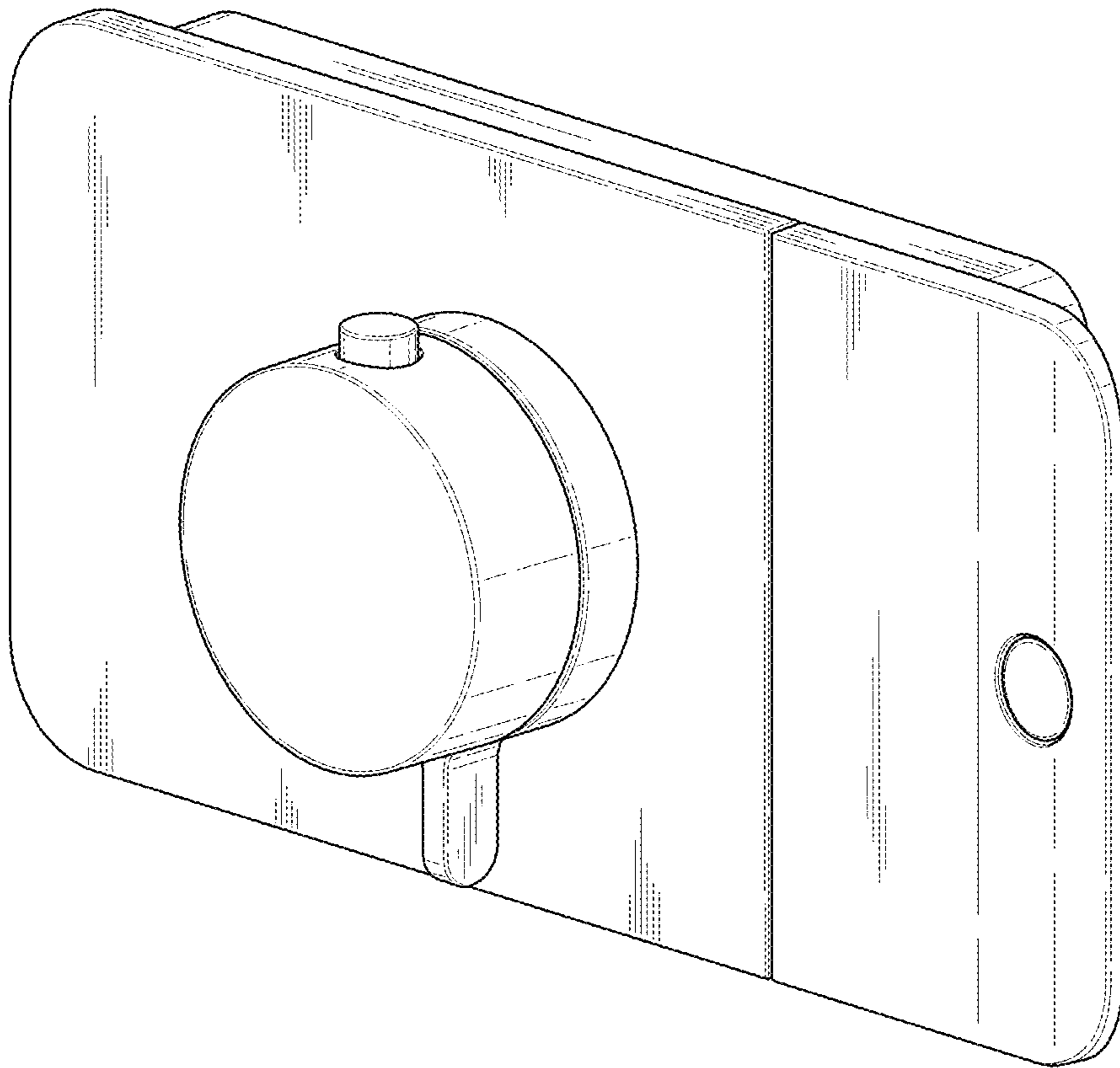


FIG. 2

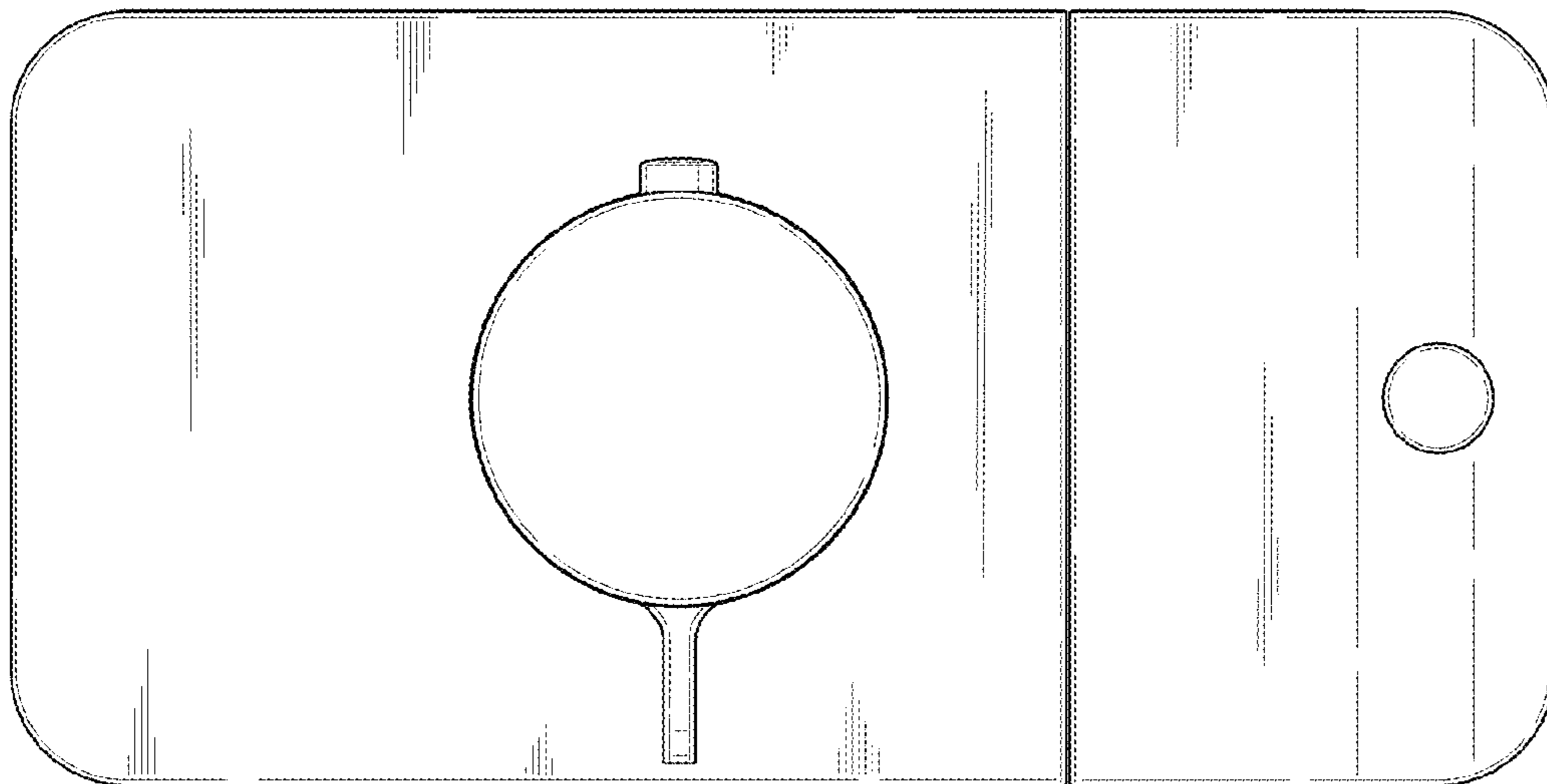


FIG. 3

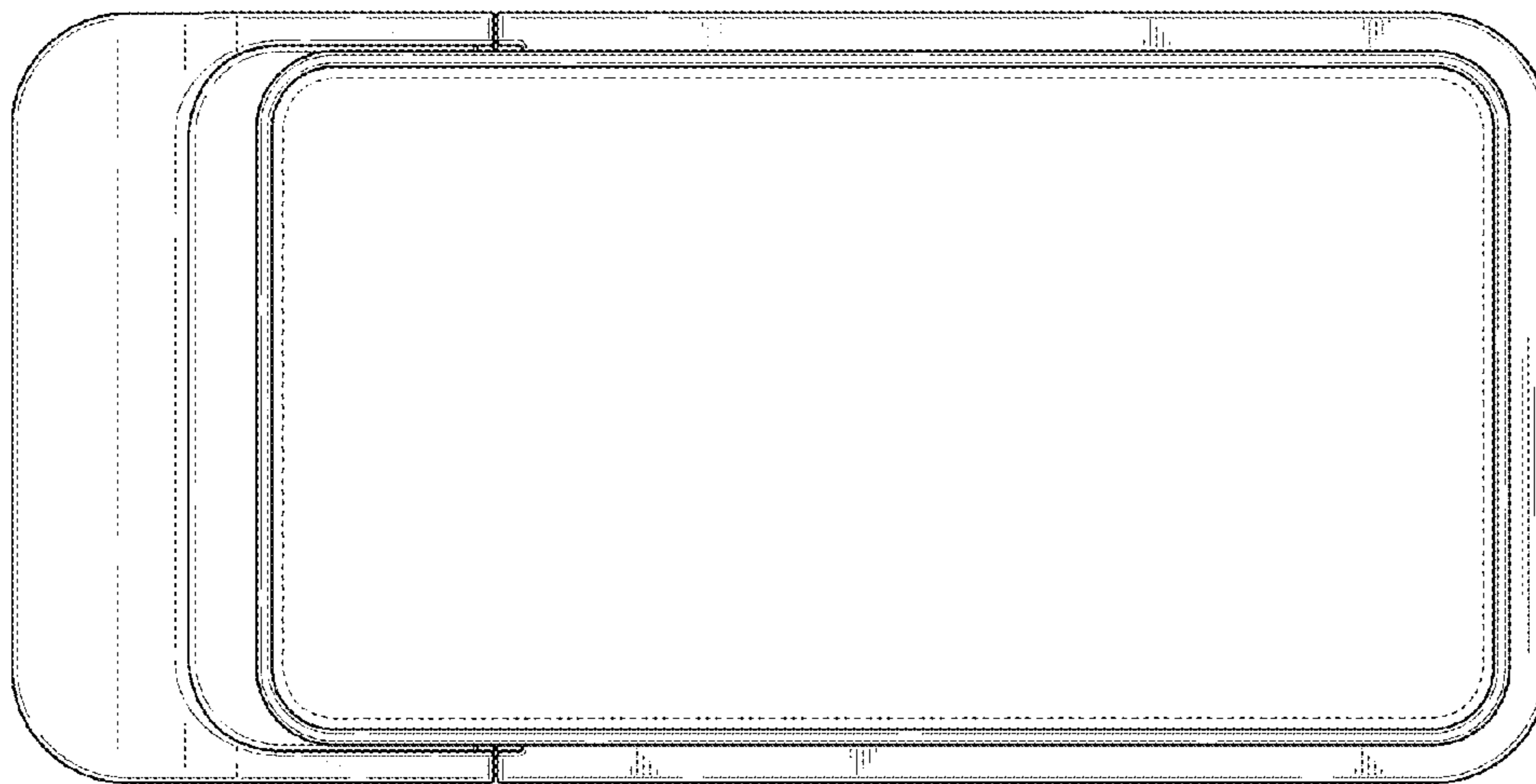


FIG. 4

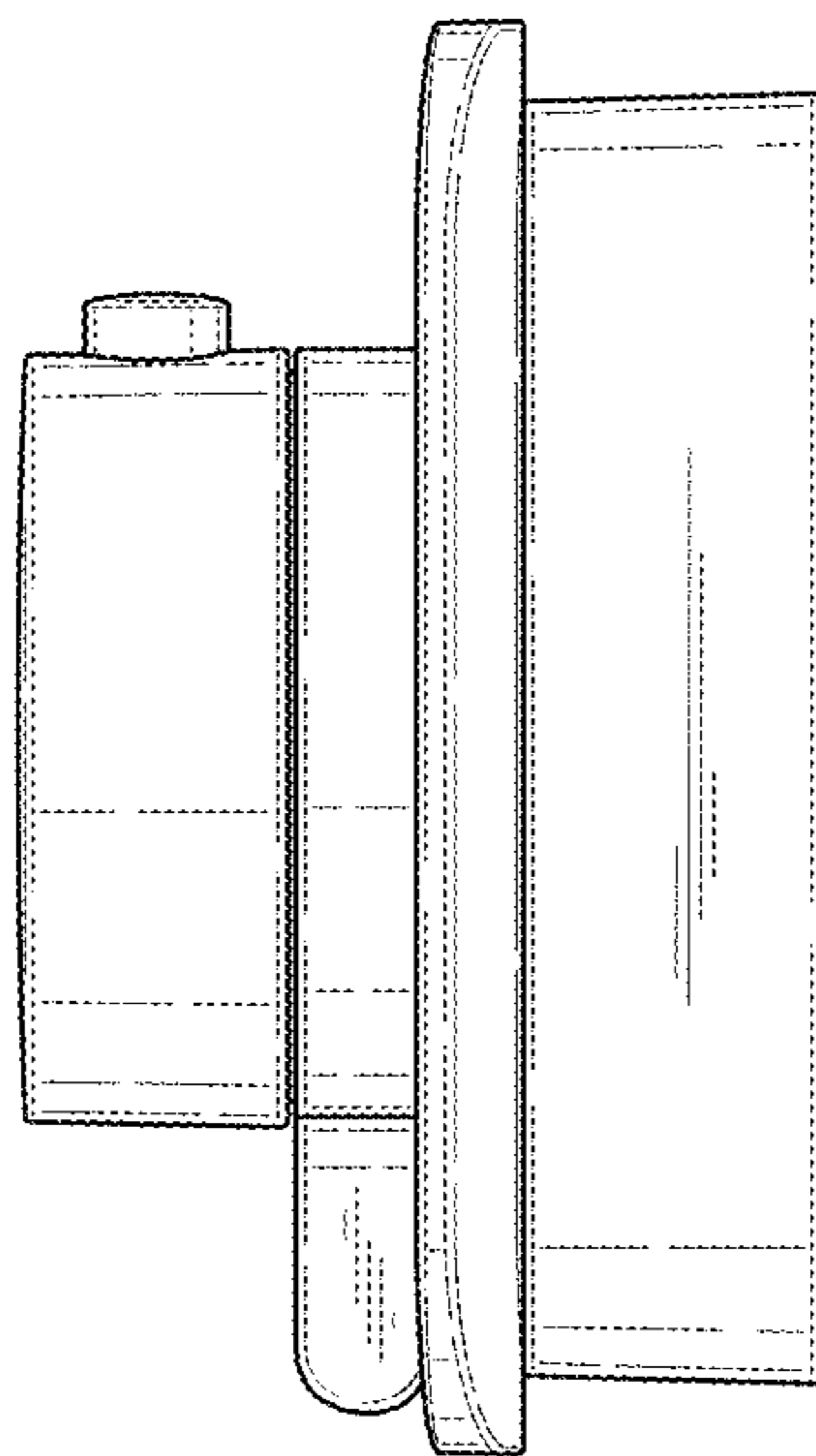


FIG. 5

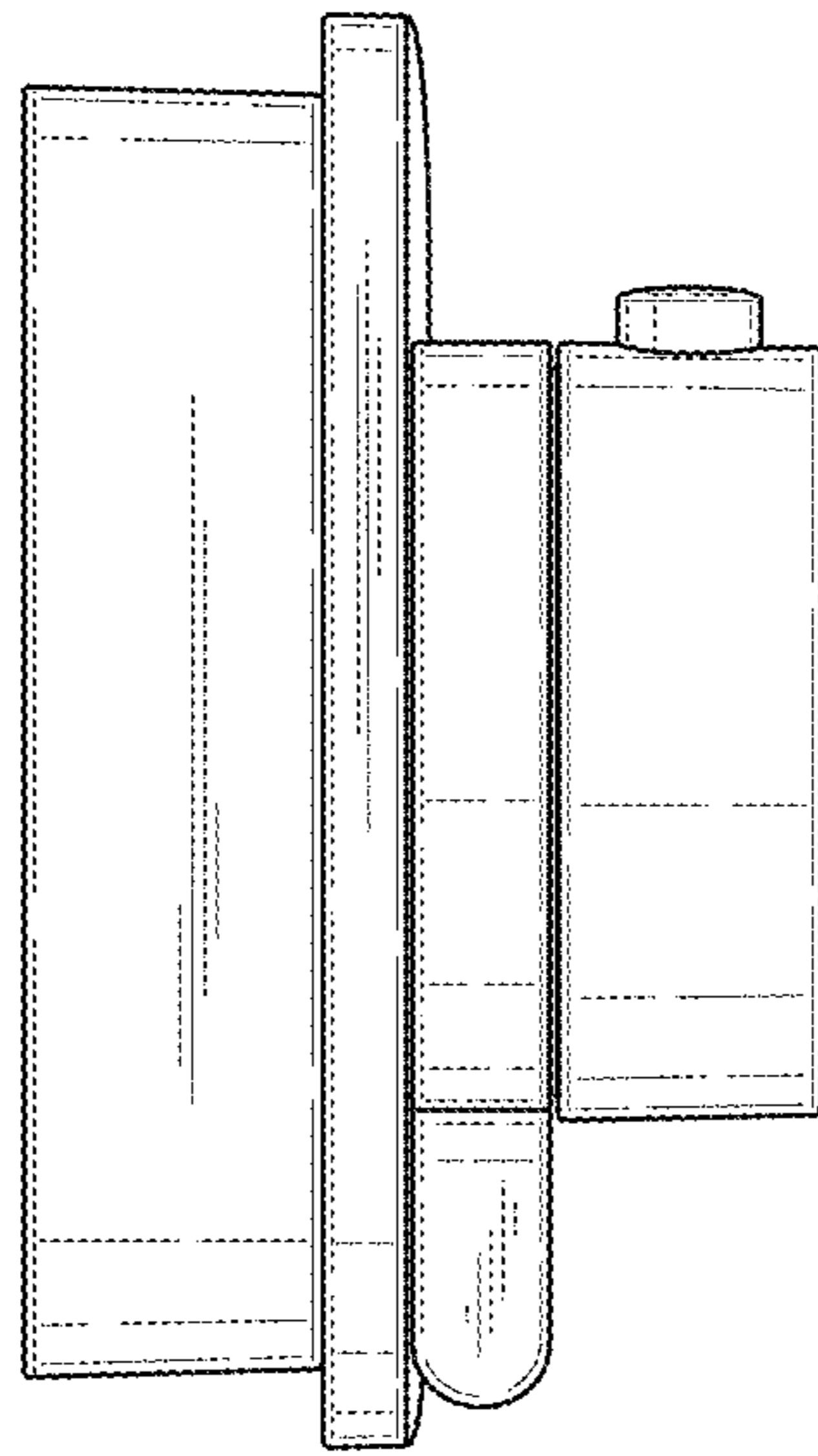


FIG. 6

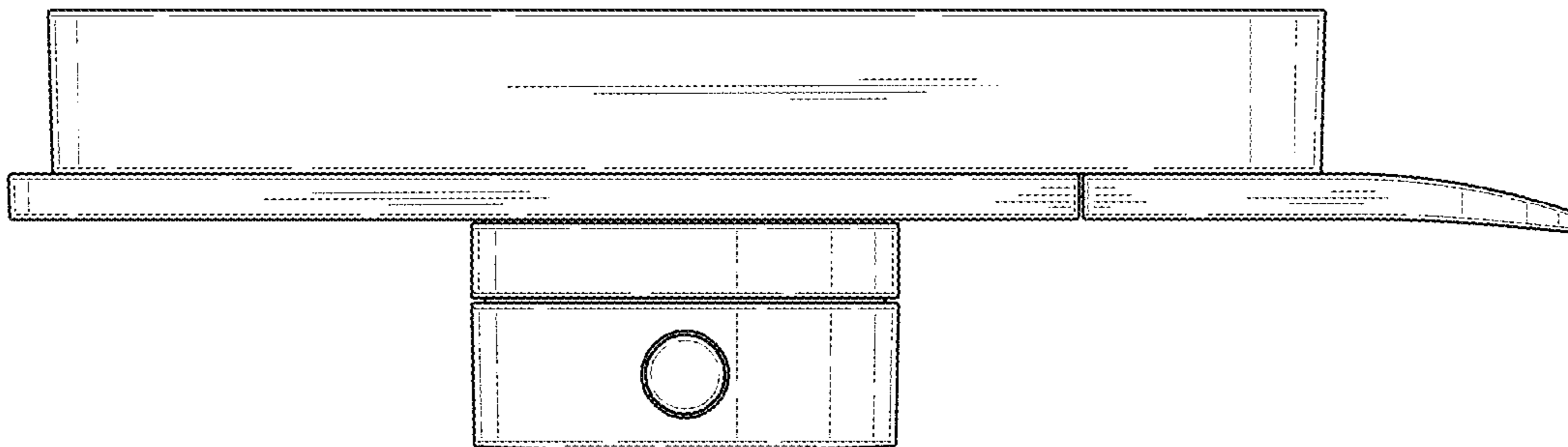


FIG. 7

