



US00D725232S

(12) **United States Design Patent**
Doi et al.

(10) **Patent No.:** **US D725,232 S**
(45) **Date of Patent:** **** Mar. 24, 2015**

(54) **ELECTROMAGNETIC VALVE**
(71) Applicants: **Yoshitada Doi**, Tsukubamirai (JP);
Masayuki Oshima, Tsukubamirai (JP);
Katsushi Hatano, Tsukubamirai (JP)
(72) Inventors: **Yoshitada Doi**, Tsukubamirai (JP);
Masayuki Oshima, Tsukubamirai (JP);
Katsushi Hatano, Tsukubamirai (JP)
(73) Assignee: **SMC Corporation**, Chiyoda-ku, Tokyo
(JP)
(**) Term: **14 Years**
(21) Appl. No.: **29/495,419**
(22) Filed: **Jun. 30, 2014**

(30) **Foreign Application Priority Data**
Mar. 31, 2014 (JP) 2014-007070
(51) **LOC (10) Cl.** **23-01**
(52) **U.S. Cl.**
USPC **D23/233**
(58) **Field of Classification Search**
CPC F16K 31/0655; F16K 312/0675; F16K
31/0658; F16K 31/06; H01F 7/081
USPC D23/233-237, 244-249; 137/625.64,
137/85, 909; 251/129.01, 129.11, 129.15,
251/149.8
See application file for complete search history.

(56) **References Cited**
U.S. PATENT DOCUMENTS
D415,256 S * 10/1999 Hayashi et al. D23/233
D416,309 S * 11/1999 Hayashi et al. D23/233
D416,980 S * 11/1999 Sato et al. D23/233
D419,216 S * 1/2000 Sato et al. D23/233
D443,030 S * 5/2001 Kaneko et al. D23/233
D459,441 S * 6/2002 Hayashi et al. D23/233
D460,148 S * 7/2002 Hayashi et al. D23/233

D533,254 S * 12/2006 Miyazoe et al. D23/233
D533,255 S * 12/2006 Miyazoe et al. D23/233
D544,578 S * 6/2007 Matsumoto et al. D23/233
D544,581 S * 6/2007 Matsumoto et al. D23/233
D546,420 S * 7/2007 Matsumoto et al. D23/233
7,316,244 B2 * 1/2008 Miyazoe et al. 137/625.64
D563,506 S * 3/2008 Kato et al. D23/233
D563,508 S * 3/2008 Yoshimura et al. D23/233
D563,509 S * 3/2008 Kato D23/233
D563,516 S * 3/2008 Mita et al. D23/233
D563,517 S * 3/2008 Miyazoe et al. D23/233
D563,518 S * 3/2008 Miyazoe et al. D23/233
D563,519 S * 3/2008 Miyazoe et al. D23/233
D563,520 S * 3/2008 Miyazoe et al. D23/233
D563,521 S * 3/2008 Miyazoe et al. D23/233
D563,522 S * 3/2008 Miyazoe et al. D23/233
D563,523 S * 3/2008 Matsumoto et al. D23/233
D564,072 S * 3/2008 Yoshimura et al. D23/233
D564,627 S * 3/2008 Miyazoe et al. D23/233
D720,046 S * 12/2014 Morodomi et al. D23/233

* cited by examiner

Primary Examiner — Cynthia Ramirez
(74) *Attorney, Agent, or Firm* — Yokoi & Co., U.S.A.;
Toshiyuki Yokoi

(57) **CLAIM**
The ornamental design for an electromagnetic valve, as
shown and described.

DESCRIPTION

FIG. 1 shows a front view of an electromagnetic valve show-
ing our new design;
FIG. 2 shows a rear view thereof;
FIG. 3 shows a right side view thereof;
FIG. 4 shows a left side view thereof;
FIG. 5 shows a top view thereof;
FIG. 6 shows a bottom view thereof; and,
FIG. 7 shows a top, front and right side perspective view
thereof.
The portions of the design shown in broken lines in FIGS. 1-3
and 5-7 are for the purpose of illustrating the environment
only and form no part of the claimed design.

1 Claim, 7 Drawing Sheets

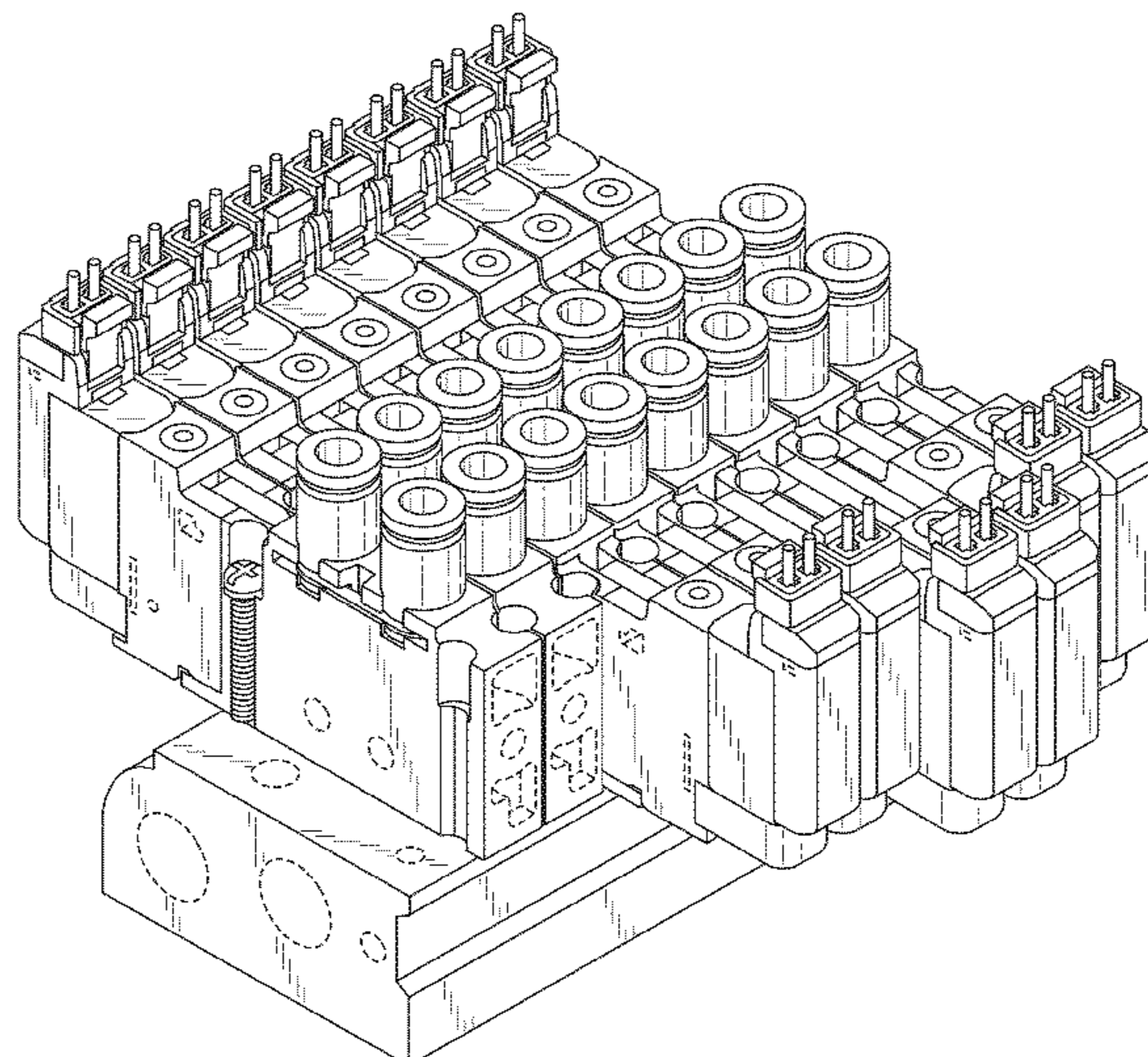


FIG. 1

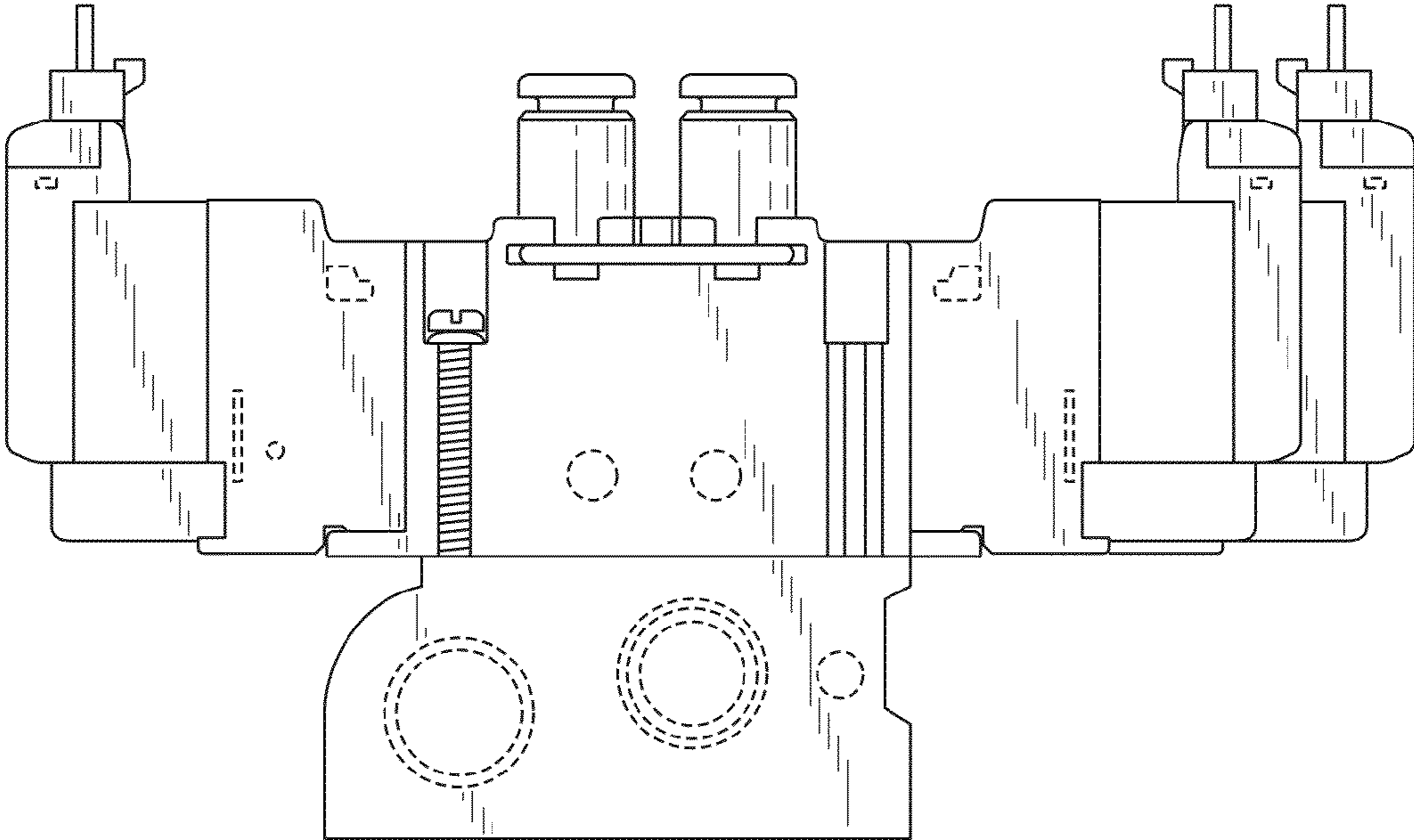


FIG. 2

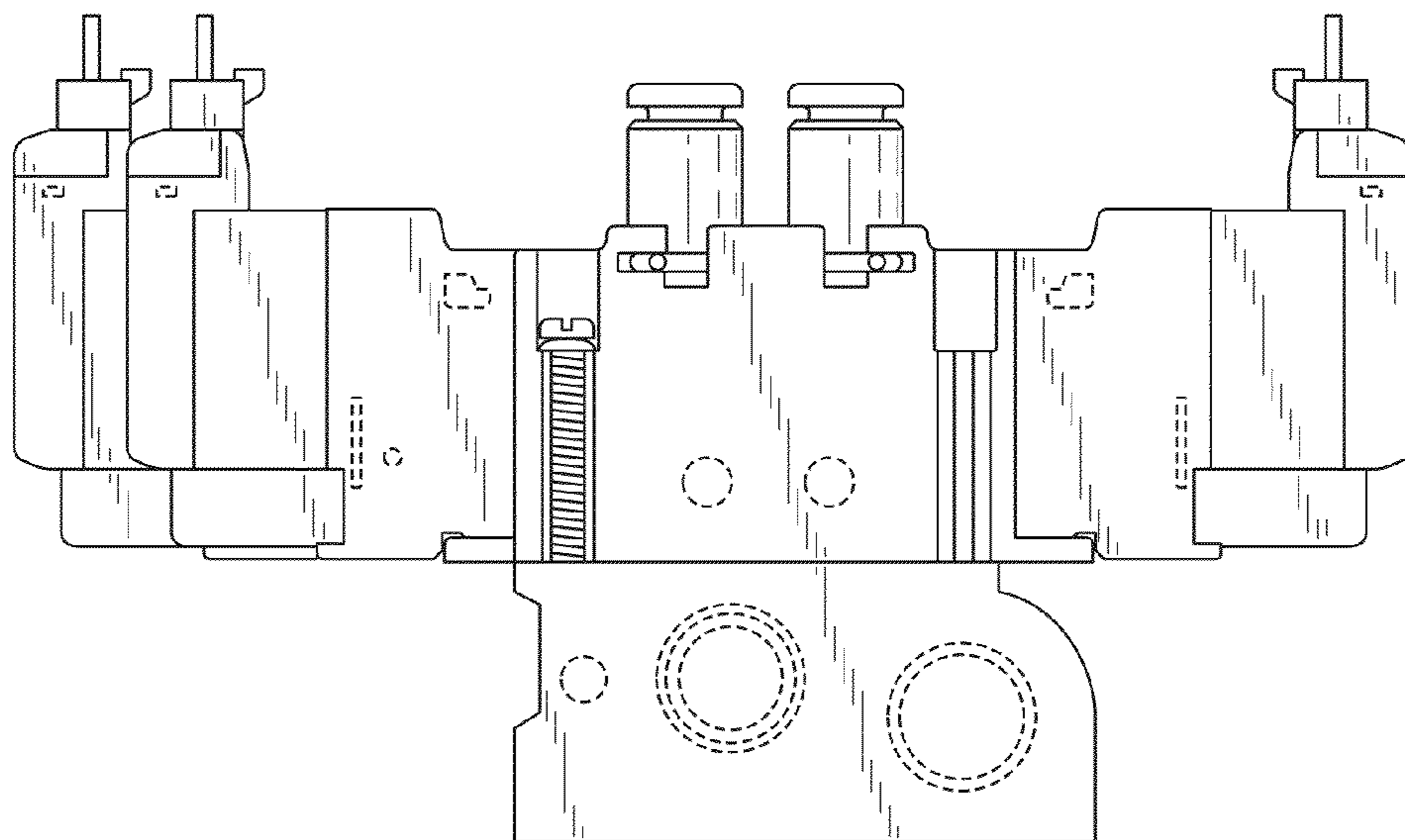


FIG. 3

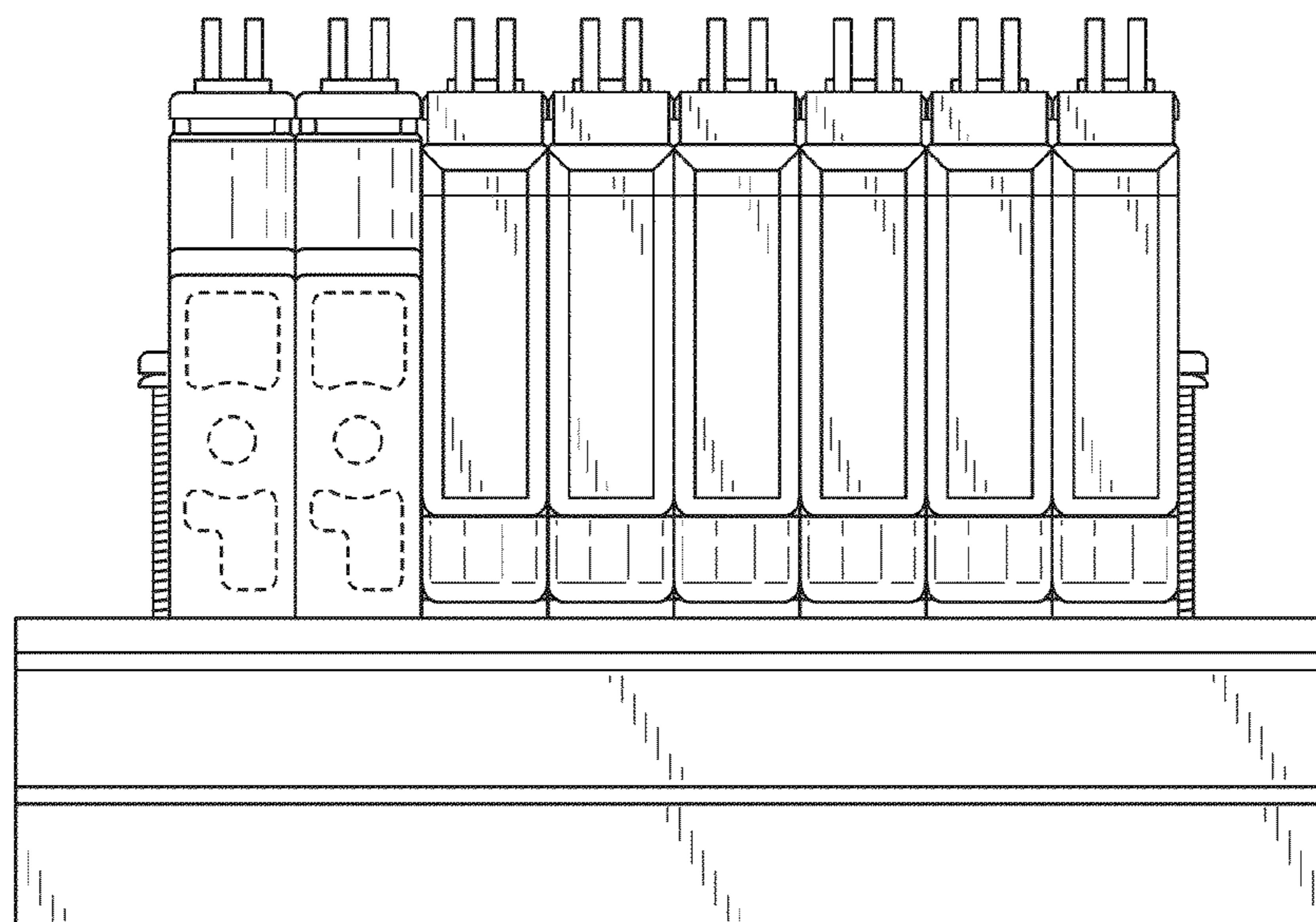


FIG. 4

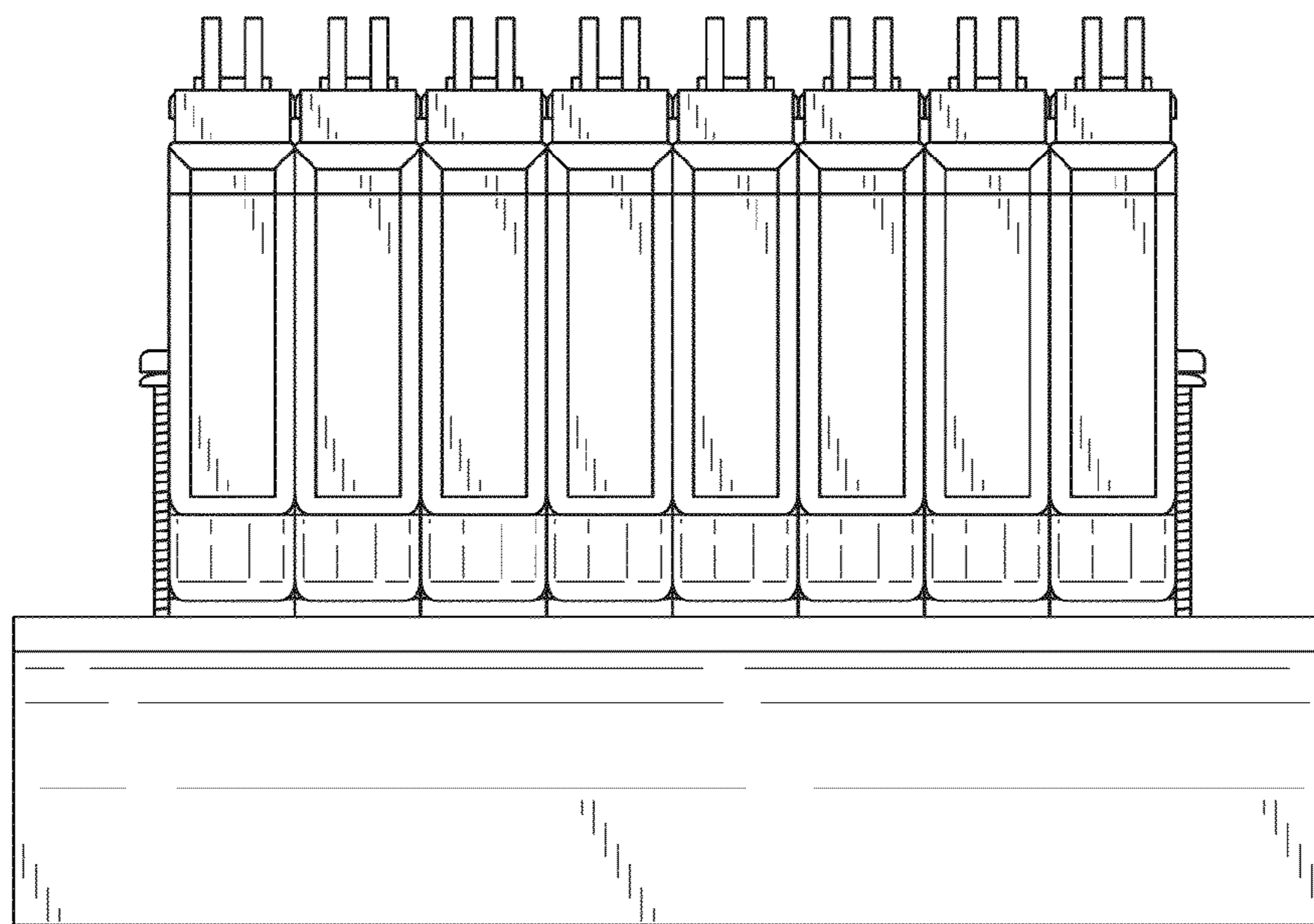


FIG. 5

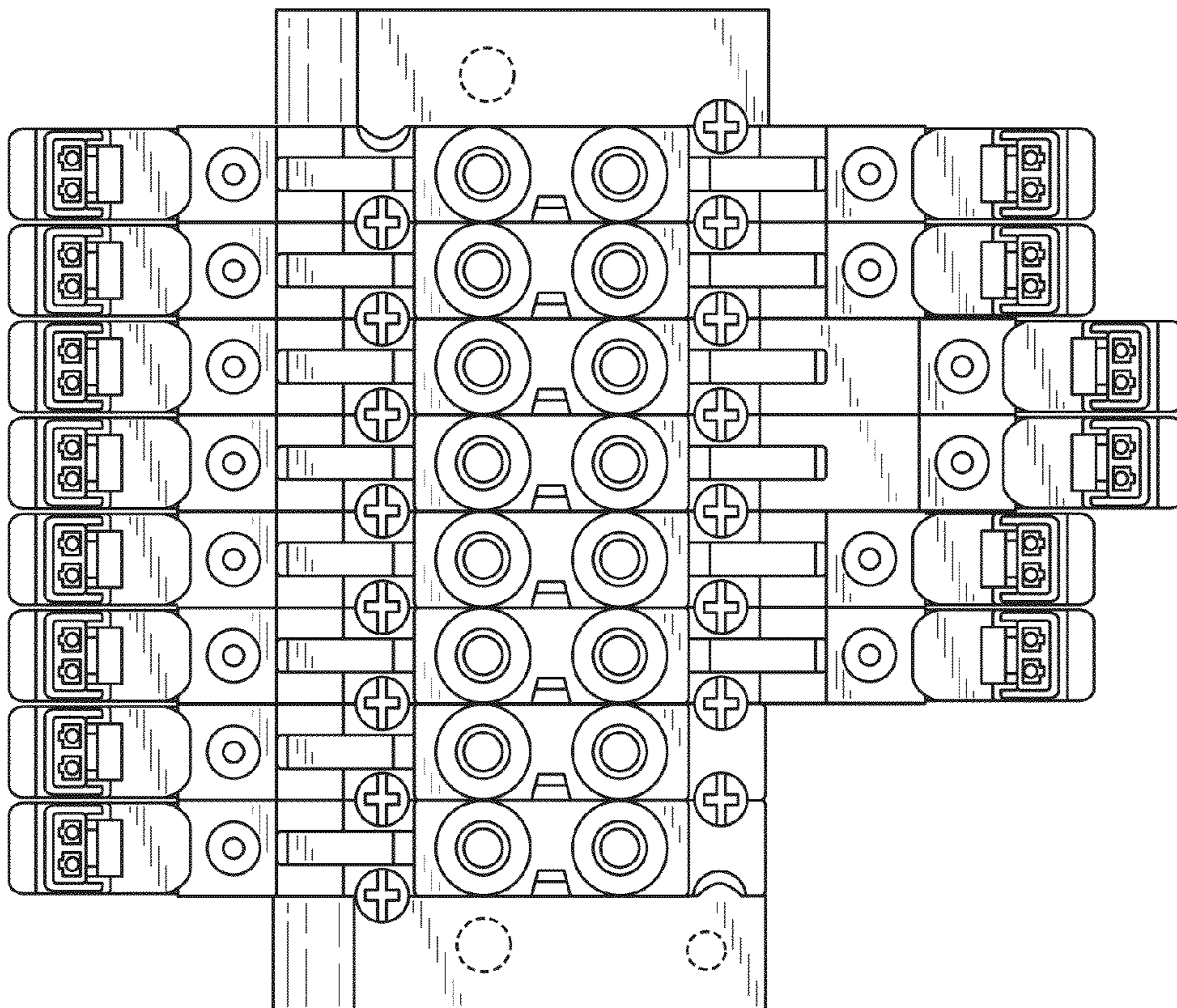


FIG. 6

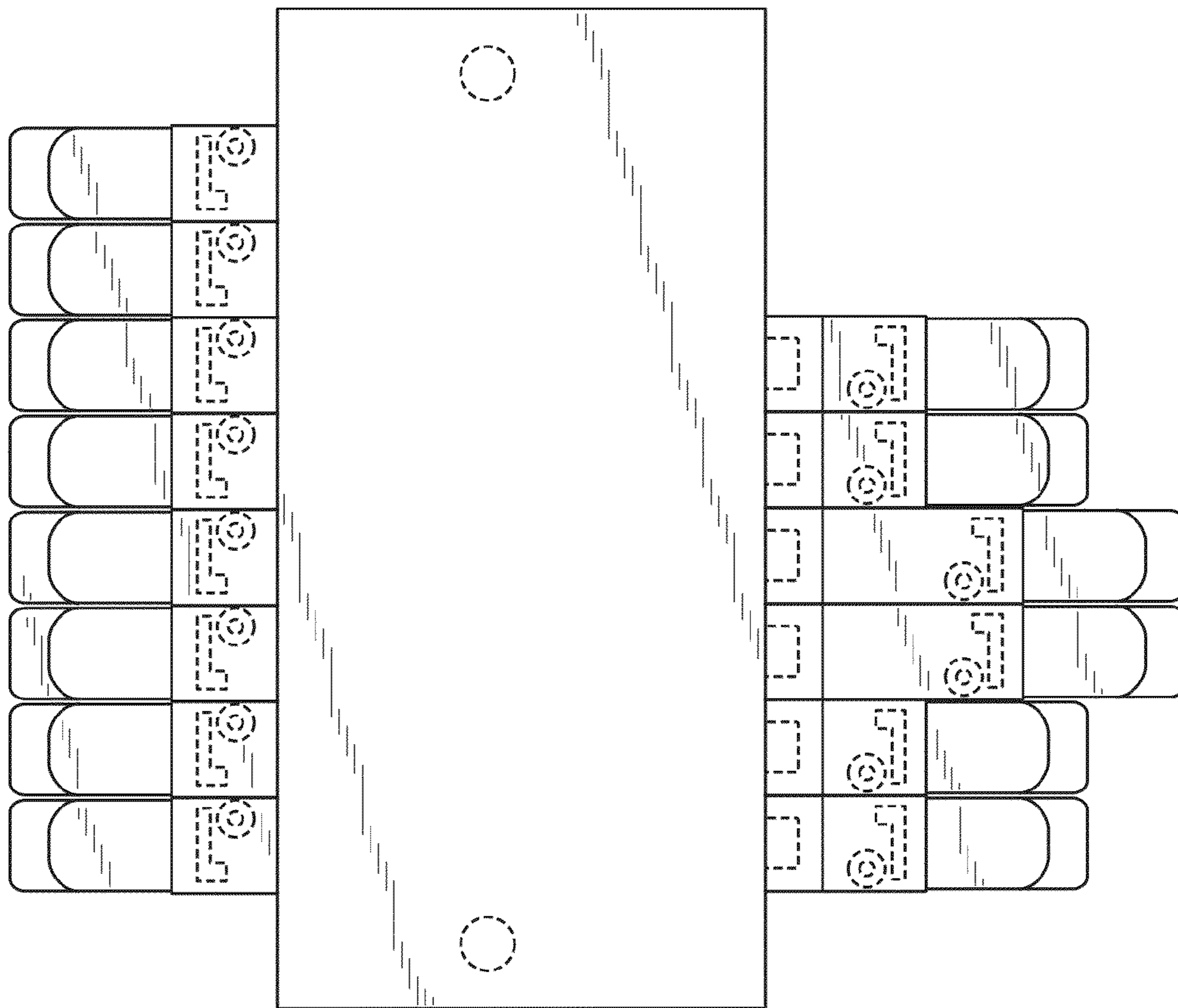


FIG. 7

