

US00D725231S

(12) **United States Design Patent**
Doi et al.

(10) **Patent No.:** **US D725,231 S**
(45) **Date of Patent:** **** Mar. 24, 2015**

- (54) **ELECTROMAGNETIC VALVE**
- (71) Applicants: **Yoshitada Doi**, Tsukubamirai (JP);
Masayuki Oshima, Tsukubamirai (JP);
Katsushi Hatano, Tsukubamirai (JP)
- (72) Inventors: **Yoshitada Doi**, Tsukubamirai (JP);
Masayuki Oshima, Tsukubamirai (JP);
Katsushi Hatano, Tsukubamirai (JP)
- (73) Assignee: **SMC Corporation**, Chiyoda-ku, Tokyo
(JP)
- (**) Term: **14 Years**

7,316,244	B2	*	1/2008	Miyazoe et al.	137/625.64
D563,506	S	*	3/2008	Kato et al.	D23/233
D563,508	S	*	3/2008	Yoshimura et al.	D23/233
D563,517	S	*	3/2008	Miyazoe et al.	D23/233
D563,518	S	*	3/2008	Miyazoe et al.	D23/233
D563,519	S	*	3/2008	Miyazoe et al.	D23/233
D563,520	S	*	3/2008	Miyazoe et al.	D23/233
D563,521	S	*	3/2008	Miyazoe et al.	D23/233
D563,522	S	*	3/2008	Miyazoe et al.	D23/233
D563,523	S	*	3/2008	Matsumoto et al.	D23/233
D564,627	S	*	3/2008	Miyazoe et al.	D23/233
D564,628	S	*	3/2008	Miyazoe et al.	D23/233
D564,629	S	*	3/2008	Miyazoe et al.	D23/233
D564,630	S	*	3/2008	Miyazoe et al.	D23/233
D564,631	S	*	3/2008	Miyazoe et al.	D23/233
D584,797	S	*	1/2009	Matsumoto et al.	D23/233
D591,829	S	*	5/2009	Miyazoe et al.	D23/233

- (21) Appl. No.: **29/495,418**
- (22) Filed: **Jun. 30, 2014**
- (30) **Foreign Application Priority Data**
Mar. 31, 2014 (JP) 2014-007068
- (51) **LOC (10) Cl.** **23-01**
- (52) **U.S. Cl.**
USPC **D23/233**
- (58) **Field of Classification Search**
CPC F16K 31/0655; F16K 31/0675; F16K
31/0658; F16K 31/06; H01F 7/081
USPC D23/233-237, 244-249; 137/625.64,
137/85, 909; 251/129.01, 129.11, 129.15,
251/149.8
See application file for complete search history.

* cited by examiner

Primary Examiner — Cynthia Ramirez
(74) *Attorney, Agent, or Firm* — Yokoi & Co., U.S.A.;
Toshiyuki Yokoi

- (56) **References Cited**
U.S. PATENT DOCUMENTS
5,063,355 A * 11/1991 Sasaki et al. 327/392
5,706,858 A * 1/1998 Miyazoe et al. 137/884
D415,256 S * 10/1999 Hayashi et al. D23/233
D416,309 S * 11/1999 Hayashi et al. D23/233
D443,030 S * 5/2001 Kaneko et al. D23/233
D459,441 S * 6/2002 Hayashi et al. D23/233
D533,254 S * 12/2006 Miyazoe et al. D23/233

(57) **CLAIM**
The ornamental design for an electromagnetic valve, as shown and described.

DESCRIPTION
FIG. 1 shows a front view of an electromagnetic valve showing our new design;
FIG. 2 shows a rear view thereof;
FIG. 3 shows a right side view thereof;
FIG. 4 shows a left side view thereof;
FIG. 5 shows a top view thereof;
FIG. 6 shows a bottom view thereof;
FIG. 7 shows a top, front and right side perspective view thereof; and,
FIG. 8 shows a bottom, rear and right side perspective view thereof.
The portions of the design shown in broken lines in FIGS. 1-4 and 6-8 are for the purpose of illustrating the environment only and form no part of the claimed design.

1 Claim, 7 Drawing Sheets

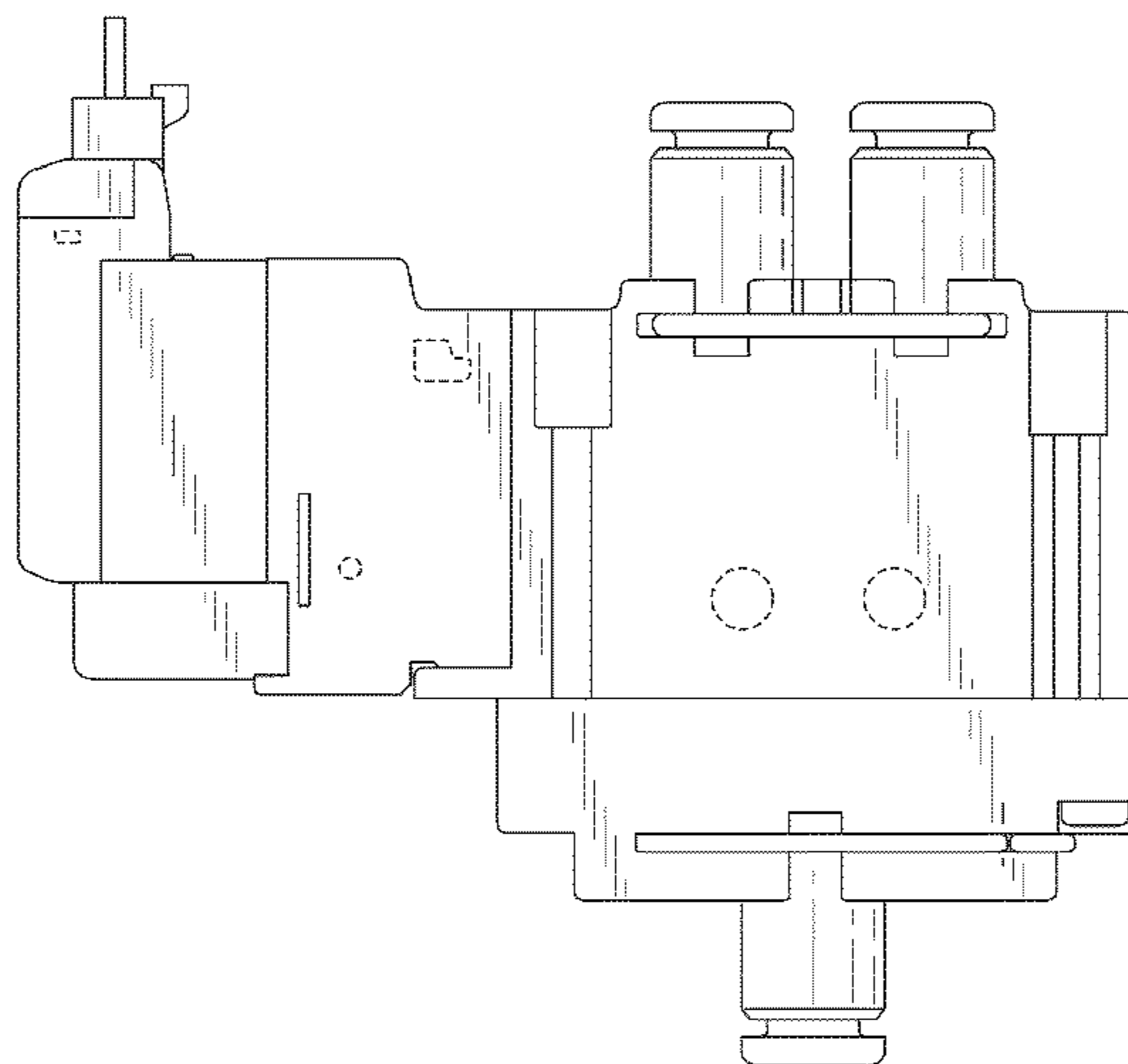


FIG. 1

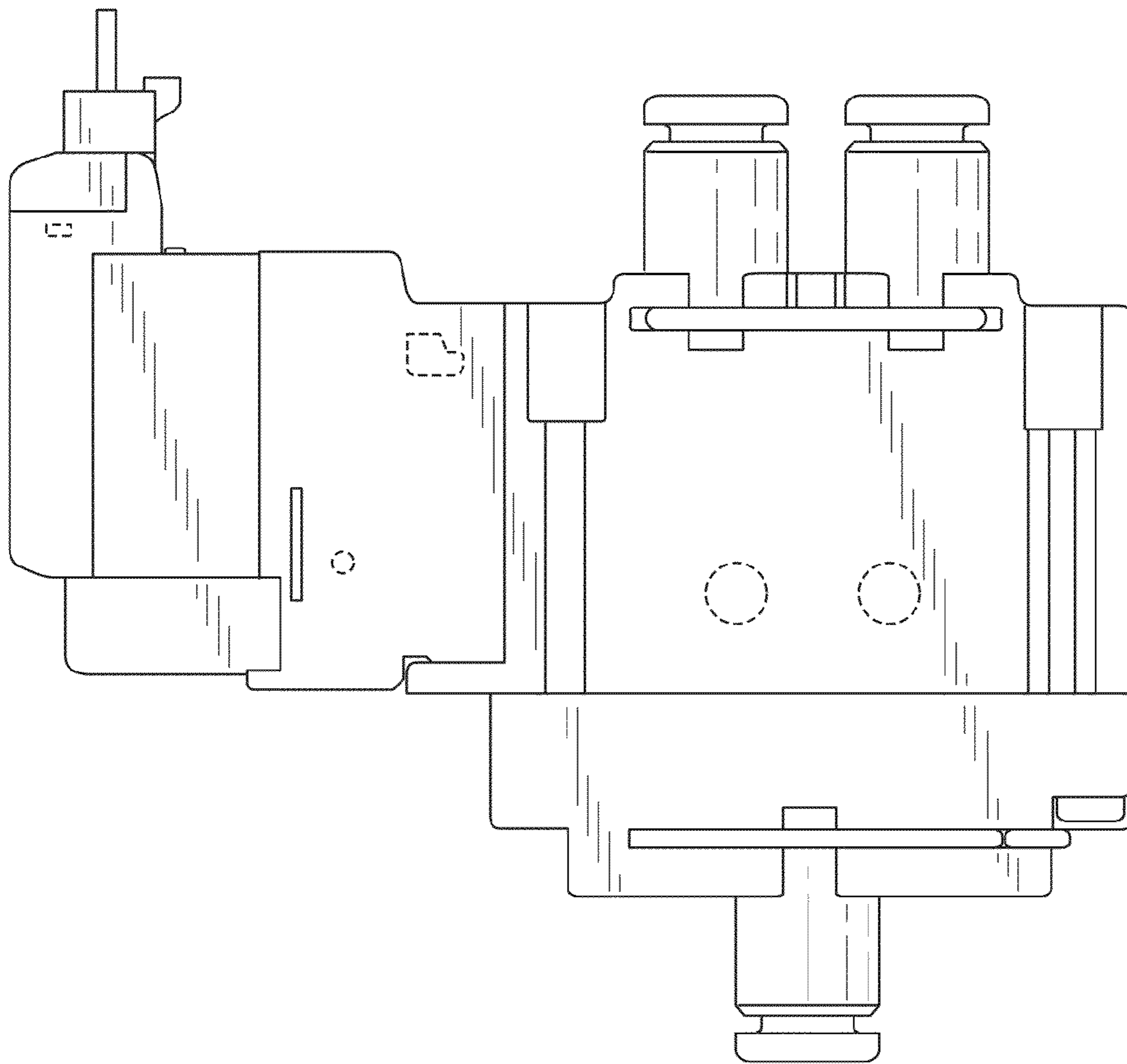


FIG. 2

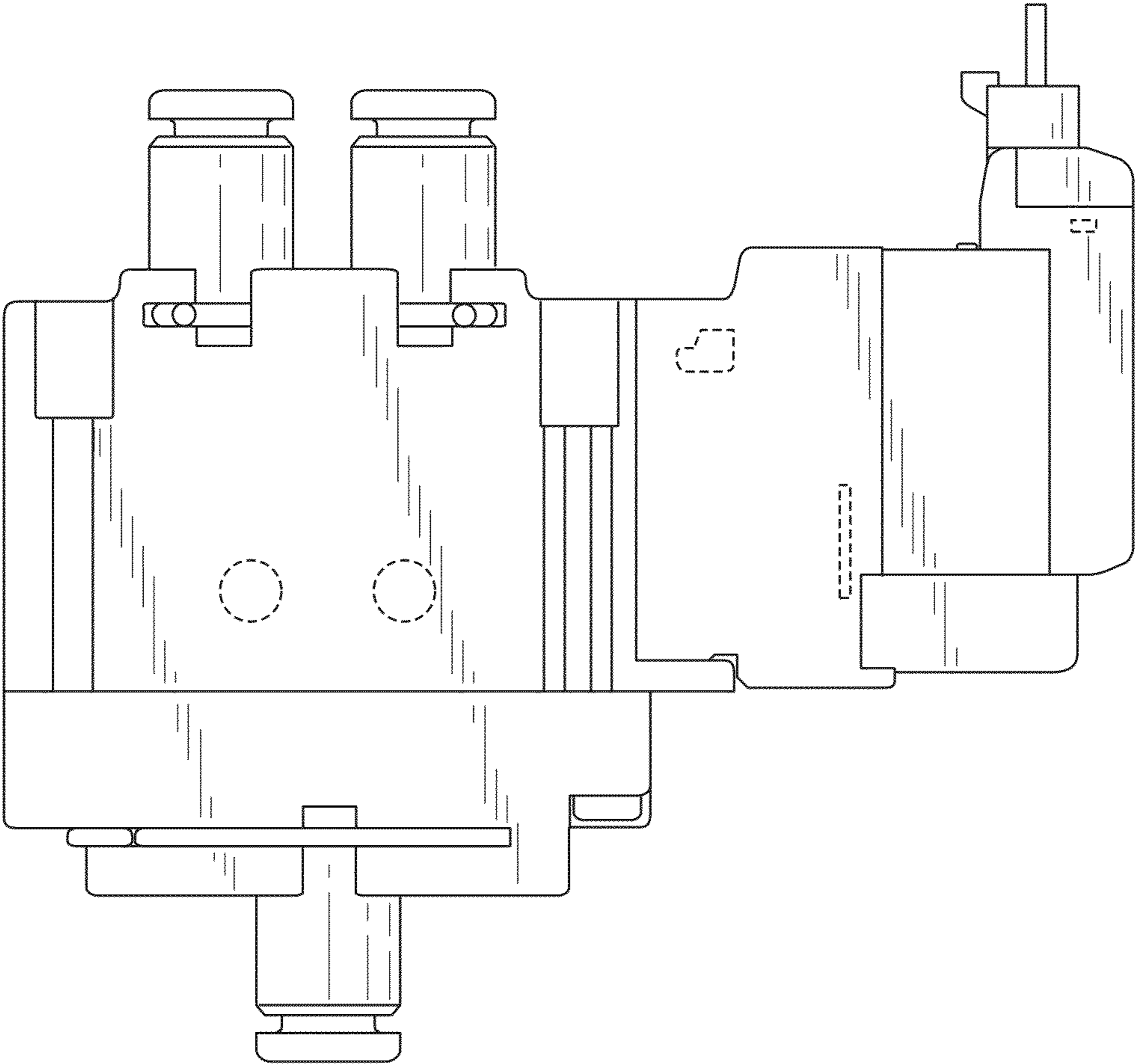


FIG. 3

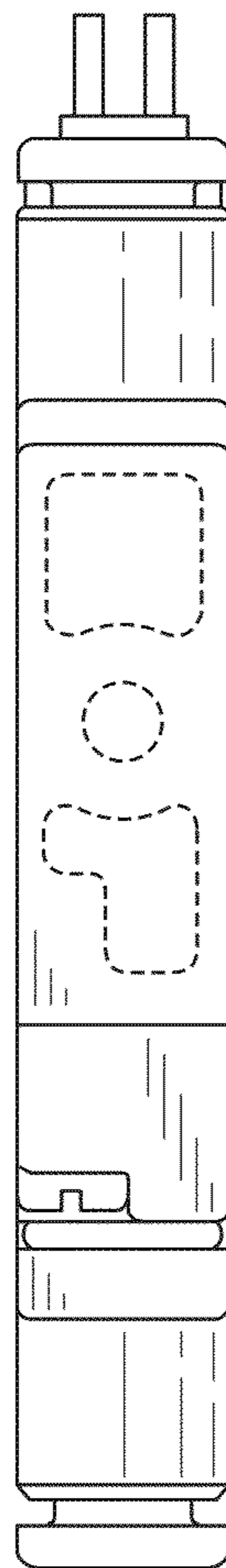


FIG. 4

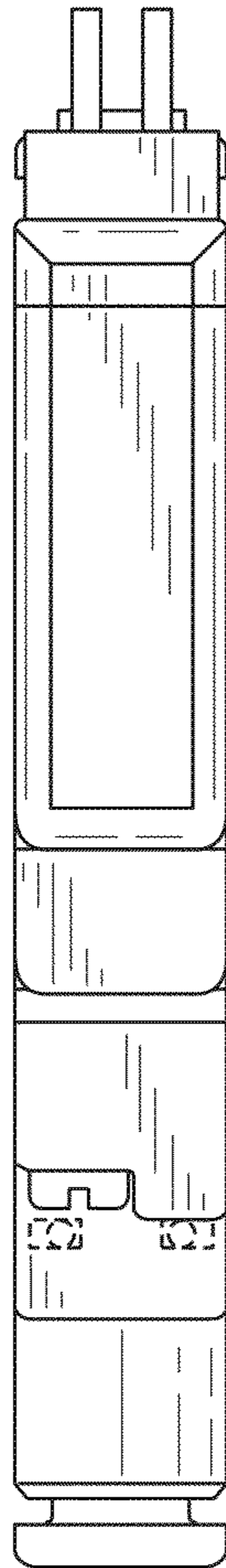


FIG. 5

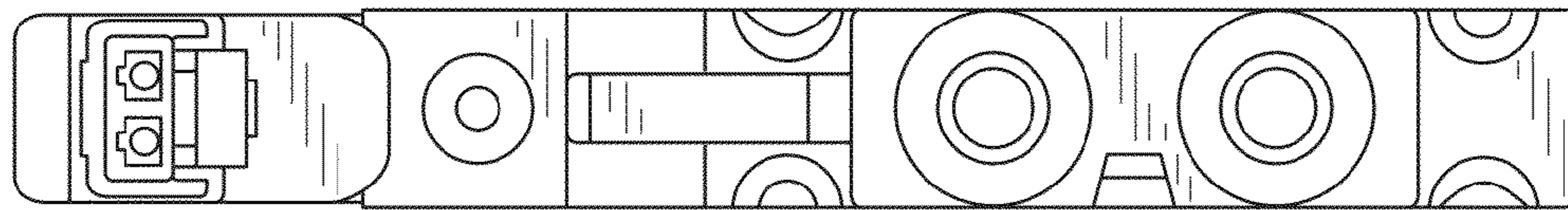


FIG. 6

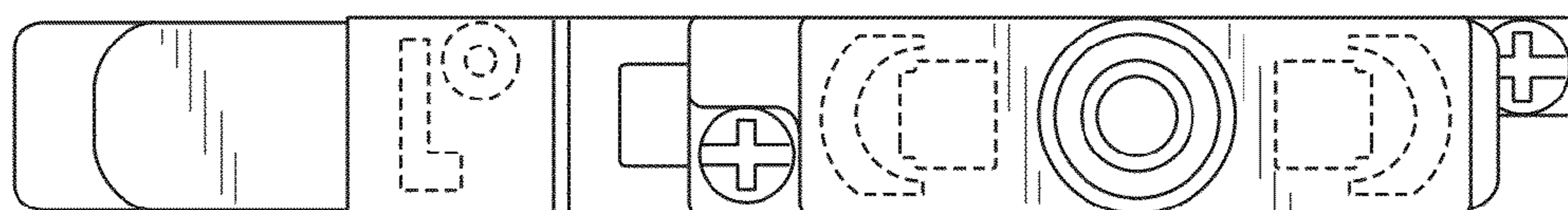


FIG. 7

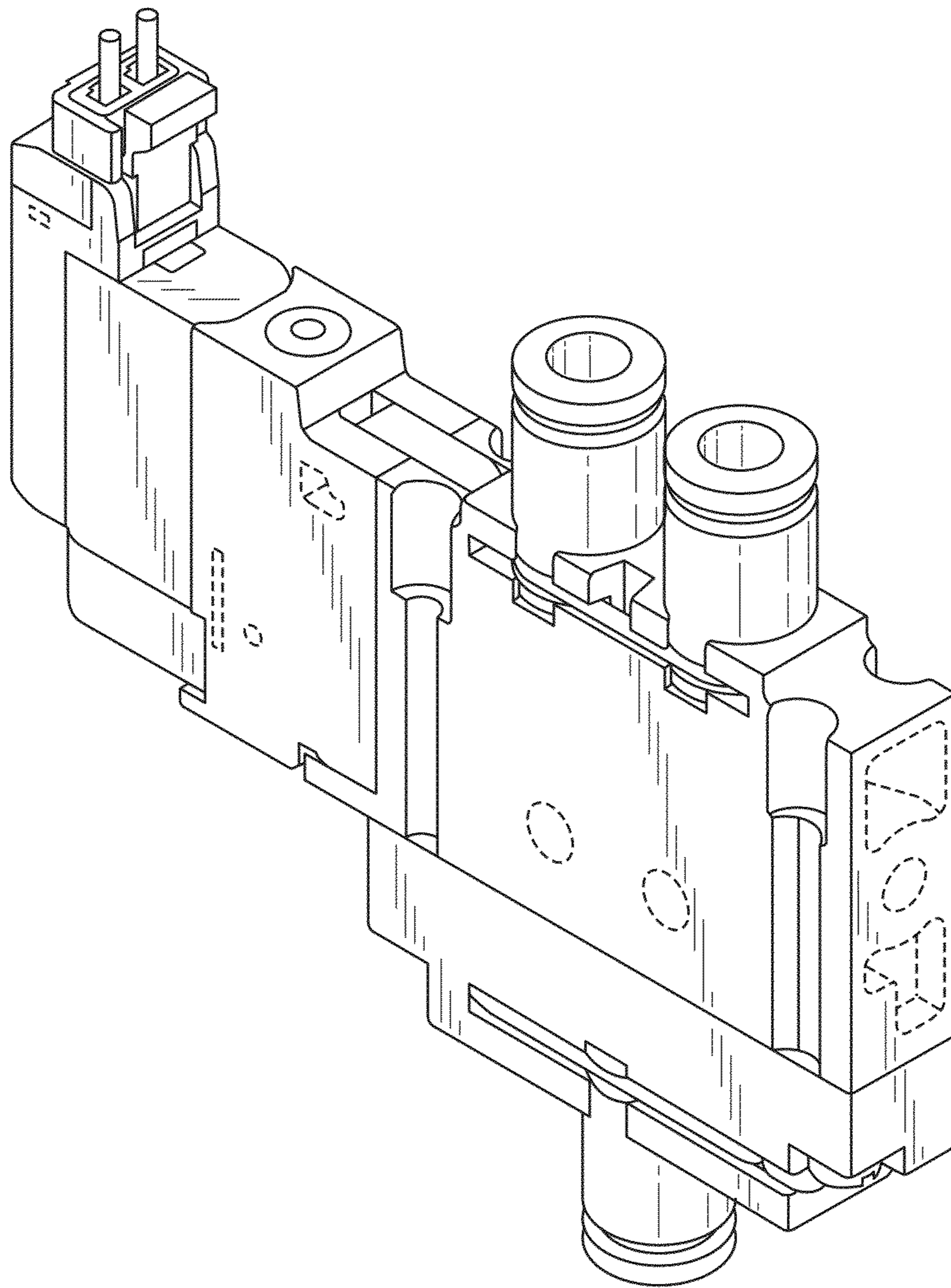


FIG. 8

