

US00D725230S

(12) **United States Design Patent**
Chen

(10) **Patent No.:** **US D725,230 S**
(45) **Date of Patent:** **** Mar. 24, 2015**

(54) **MANUAL PUMP**

(71) Applicant: **Chun-Sheng Chen**, Taichung (TW)

(72) Inventor: **Chun-Sheng Chen**, Taichung (TW)

(73) Assignee: **Jaan-Huei Industrial Co., Ltd.**,
Taichung (TW)

(**) Term: **14 Years**

(21) Appl. No.: **29/458,089**

(22) Filed: **Jun. 17, 2013**

(51) **LOC (10) Cl.** **23-01**

(52) **U.S. Cl.**
USPC **D23/231; D23/232**

(58) **Field of Classification Search**
USPC **D23/231, 232; 417/234, 235, 437, 467,**
417/468, 474

See application file for complete search history.

(56) **References Cited**

U.S. PATENT DOCUMENTS

D97,647 S *	11/1935	Miller et al	D23/231
D220,840 S *	6/1971	Rolsten et al.	D23/231
D256,945 S *	9/1980	Willis	D23/232
D273,511 S *	4/1984	Tanaka	D23/232
D285,241 S *	8/1986	Reece	D23/231
D287,531 S *	12/1986	Evans	D23/231

D323,018 S *	1/1992	Coley	D23/231
D323,876 S *	2/1992	Furusawa	D23/231
D351,896 S *	10/1994	Sundheim et al.	D23/231
5,494,411 A *	2/1996	Chuang	417/234
D379,402 S *	5/1997	Paul	D23/232
D386,245 S *	11/1997	Downs et al.	D23/231
5,947,706 A *	9/1999	Gapinski	417/437
D420,428 S *	2/2000	Willis	D23/232
D452,726 S *	1/2002	Tsai	D23/231
7,404,703 B2 *	7/2008	Wang	417/437

* cited by examiner

Primary Examiner — Robin V Webster

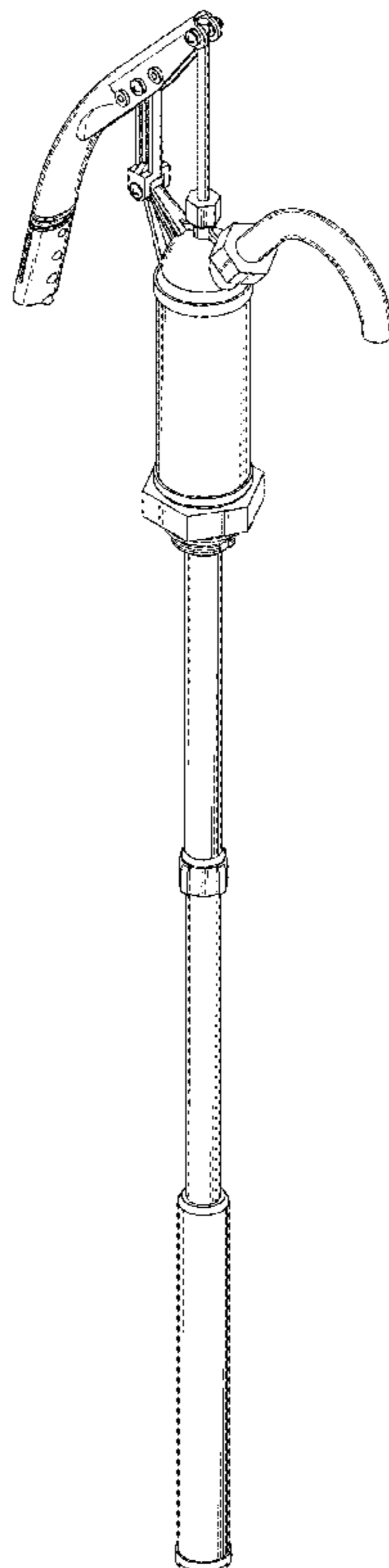
(57) **CLAIM**

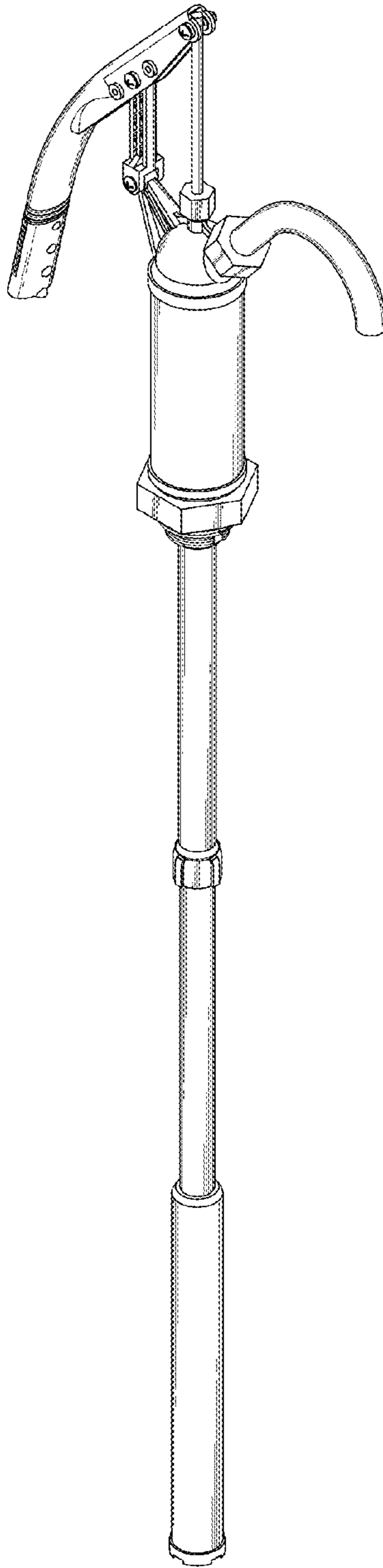
The ornamental design for a manual pump, as shown and described.

DESCRIPTION

FIG. 1 is a perspective view of a manual pump showing my new design;
FIG. 2 is a left side view thereof;
FIG. 3 is a right side view thereof;
FIG. 4 is a front view thereof;
FIG. 5 is a rear view thereof;
FIG. 6 is a top plan view thereof; and,
FIG. 7 is a bottom plan view thereof.

1 Claim, 6 Drawing Sheets





F I G . 1

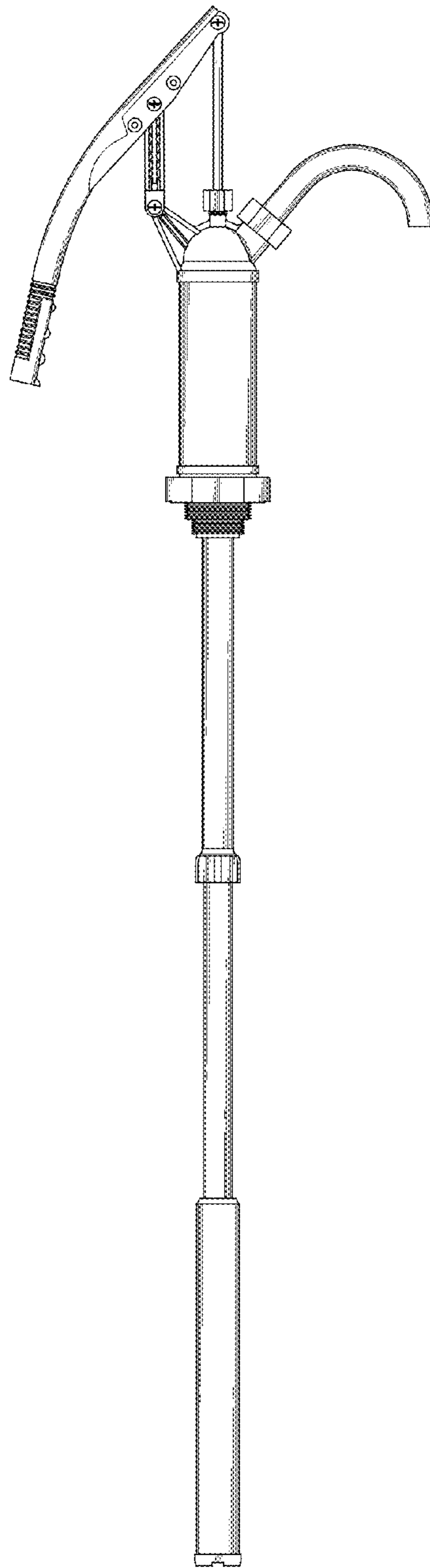
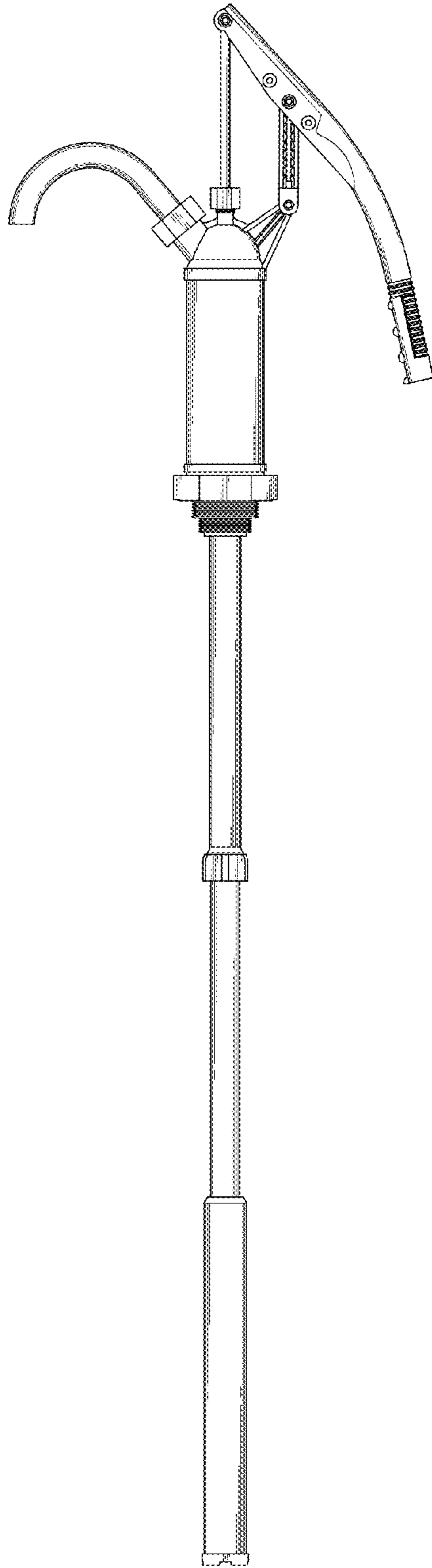
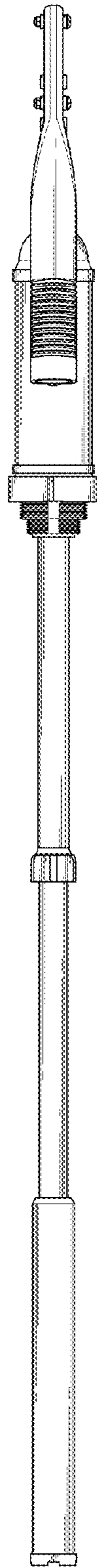


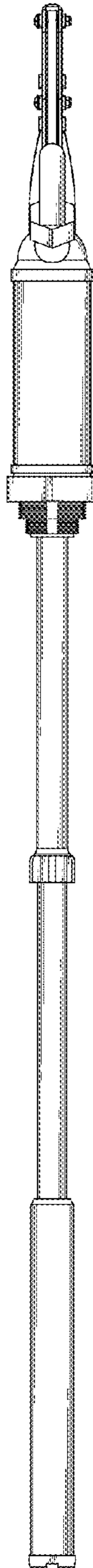
FIG. 2



F I G . 3



F I G . 4



F I G . 5

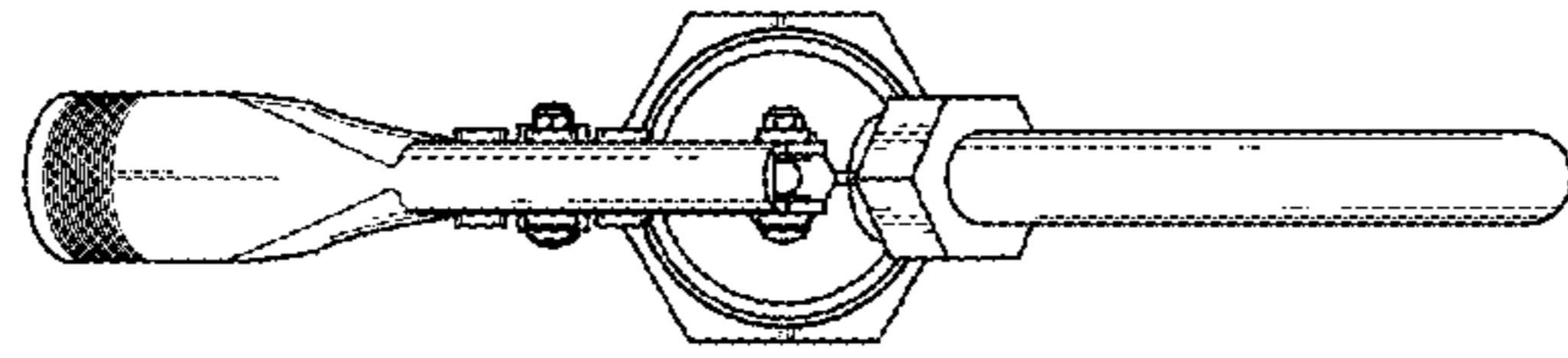


FIG. 6

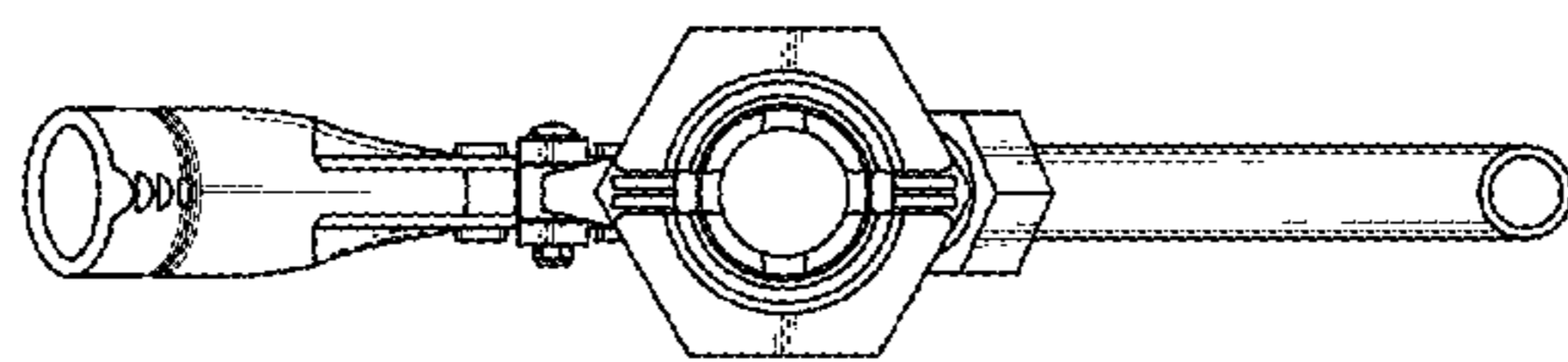


FIG. 7