



US00D725229S

(12) **United States Design Patent**
Deguchi et al.

(10) **Patent No.:** **US D725,229 S**
(45) **Date of Patent:** **** Mar. 24, 2015**

(54) **FISHING REEL PORTION**

FOREIGN PATENT DOCUMENTS

(71) Applicant: **Shimano Inc.**, Sakai, Osaka (JP)

JP 1304978 S 7/2007

(72) Inventors: **Tomoya Deguchi**, Osaka (JP);
Masakazu Iwabuchi, Osaka (JP)

* cited by examiner

Primary Examiner — Catheri Oliver-Garcia

(73) Assignee: **Shimano Inc.**, Osaka (JP)

(74) *Attorney, Agent, or Firm* — Global IP Counselors

(**) Term: **14 Years**

(57) **CLAIM**

The ornamental design for fishing reel portion, as shown and described.

(21) Appl. No.: **29/488,107**

DESCRIPTION

(22) Filed: **Apr. 16, 2014**

(30) **Foreign Application Priority Data**

Oct. 30, 2013 (JP) 2013-025314

(51) **LOC (10) Cl.** **22-05**

(52) **U.S. Cl.**
USPC **D22/141**

(58) **Field of Classification Search**

CPC A01K 89/00; A01K 89/01; A01K 89/06;
A01K 89/003; A01K 89/006; A01K 89/012;
A01K 89/016; A01K 89/017; A01K 89/0102;
A01K 89/033; A01K 91/02
USPC D22/137-141; 242/310-316, 223-224,
242/230, 283, 322, 241-243, 227;
43/19-22

See application file for complete search history.

(56) **References Cited**

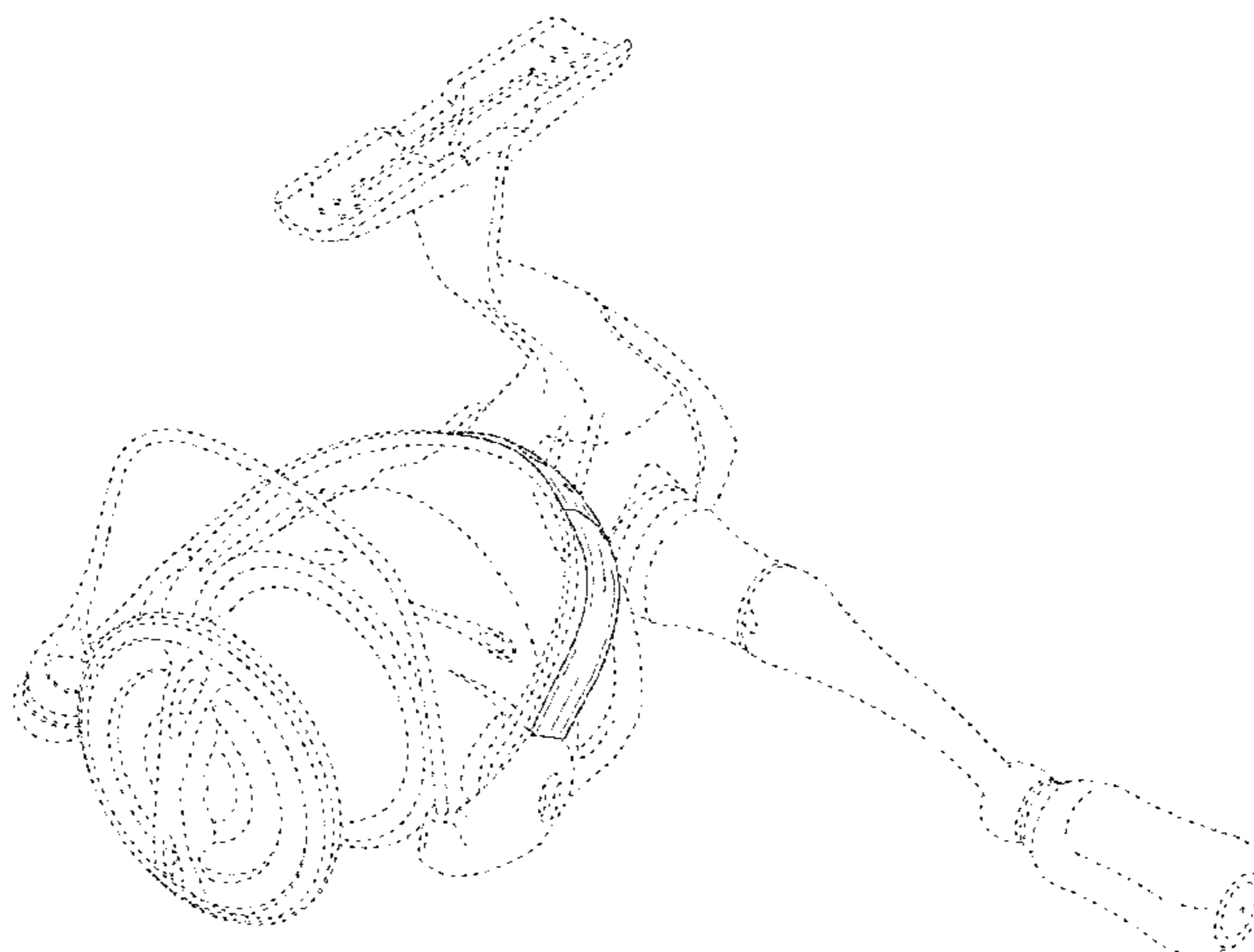
U.S. PATENT DOCUMENTS

D374,908 S * 10/1996 Koelewyn D22/141
D424,657 S * 5/2000 Kang et al. D22/141
D505,991 S 6/2005 Iwabuchi et al.
D561,870 S 2/2008 Myojo et al.
D595,386 S 6/2009 Nago
D620,073 S * 7/2010 Tabuse et al. D22/141
D627,417 S 11/2010 Nago
D685,055 S * 6/2013 Deguchi D22/141

FIG. 1 is a first perspective view of a fishing reel including a fishing reel portion in accordance with my new design; FIG. 2 is a second perspective view of the fishing reel illustrated in FIG. 1 with the fishing reel portion; FIG. 3 is a first side elevational view of the fishing reel illustrated in FIG. 1 with the fishing reel portion; FIG. 4 is a second side elevational view of the fishing reel illustrated in FIG. 1 with the fishing reel portion; FIG. 5 is a top plan view of the fishing reel illustrated in FIG. 1 with the fishing reel portion; FIG. 6 is a bottom plan view of the fishing reel illustrated in FIG. 1 with the fishing reel portion; FIG. 7 is a rear elevational view of the fishing reel illustrated in FIG. 1 with the fishing reel portion; FIG. 8 is a front elevational view of the fishing reel illustrated in FIG. 1 with the fishing reel portion; FIG. 9 is another first side elevational view, similar to FIG. 3, of the fishing reel illustrated in FIG. 1, but with the rotor rotated ninety degrees by operation of the handle; and FIG. 10 is an enlarged, partial side elevational view of FIG. 3 illustrating the fishing reel portion illustrated in FIG. 1; and, FIG. 11 is an enlarged, partial side elevational view of FIG. 4 illustrating the fishing reel portion illustrated in FIG. 1.

In the drawings, the broken line illustration of the environmental structure (the remaining structure of the fishing reel) in the drawings is not part of the claimed design. The broken line portion of the fishing reel spool does not form part of the claimed design.

1 Claim, 7 Drawing Sheets



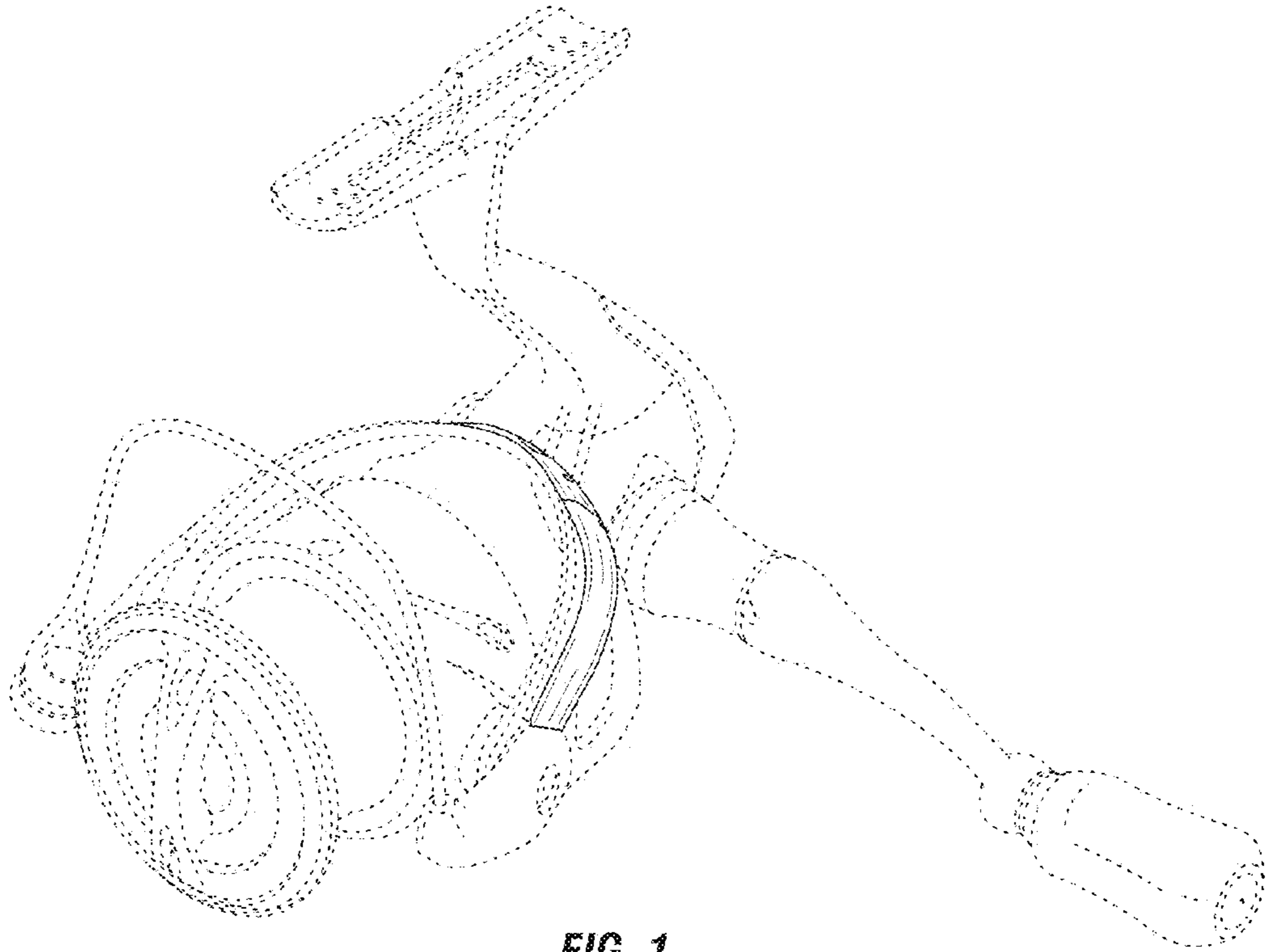


FIG. 1

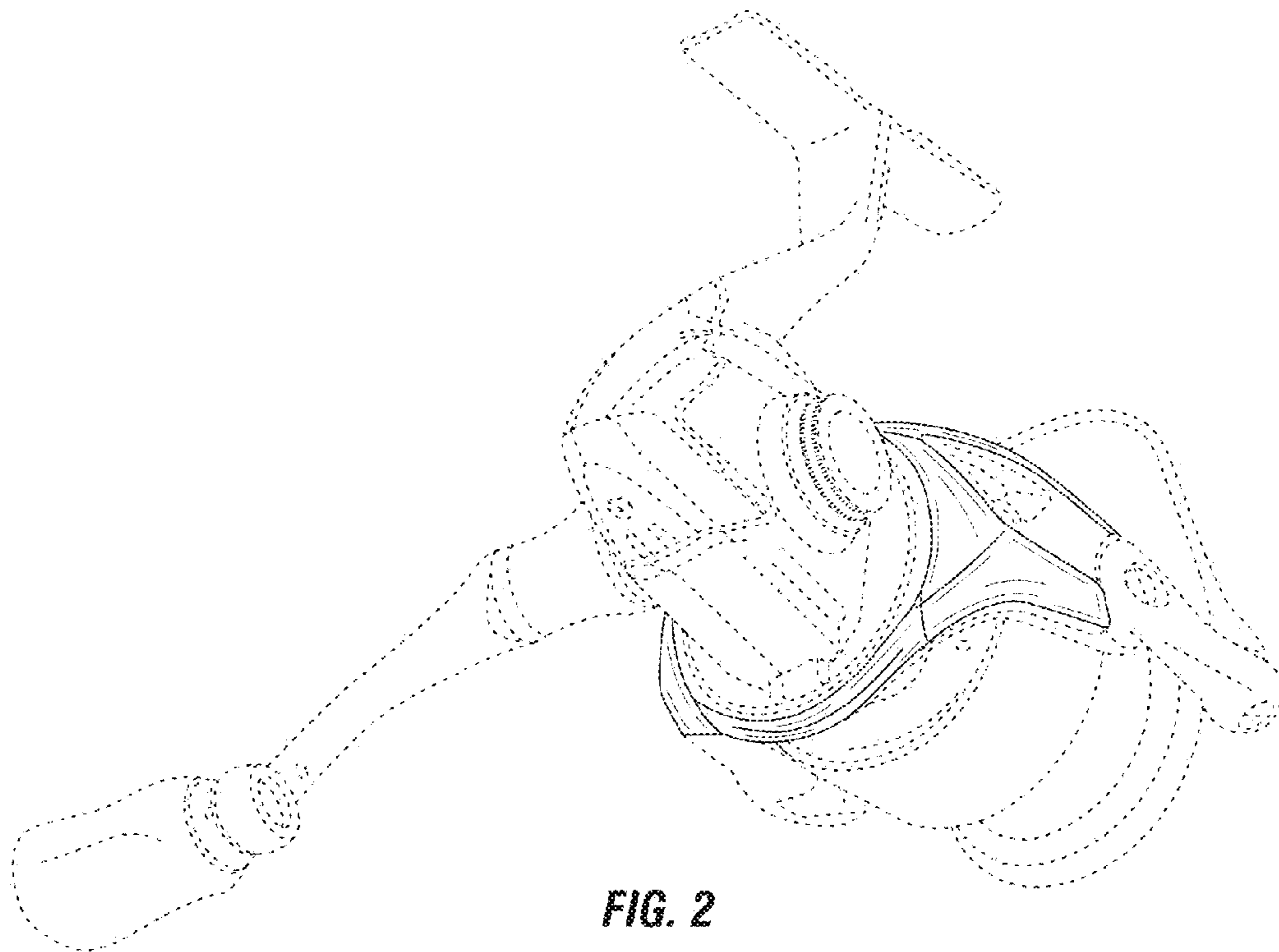


FIG. 2

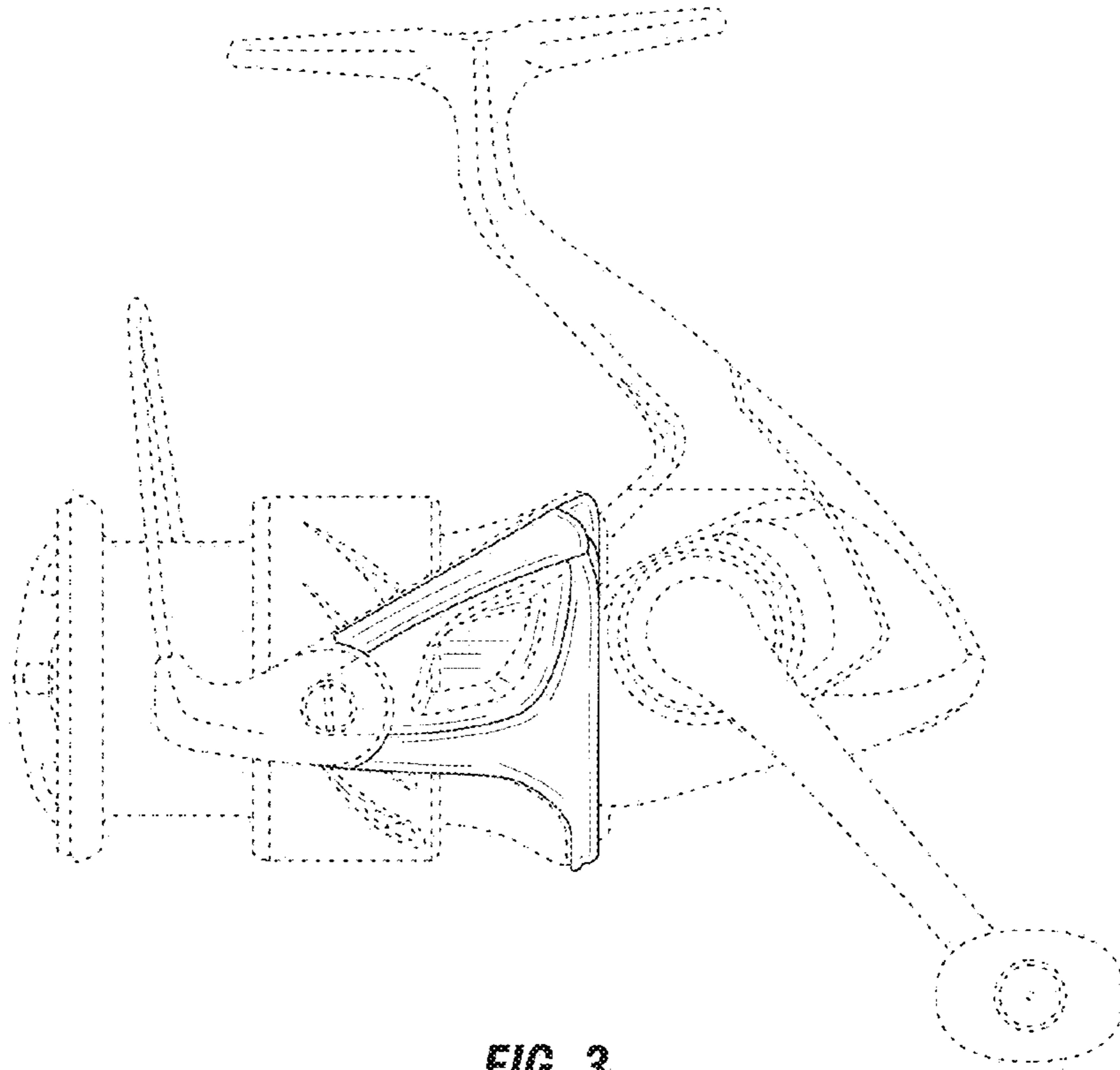


FIG. 3

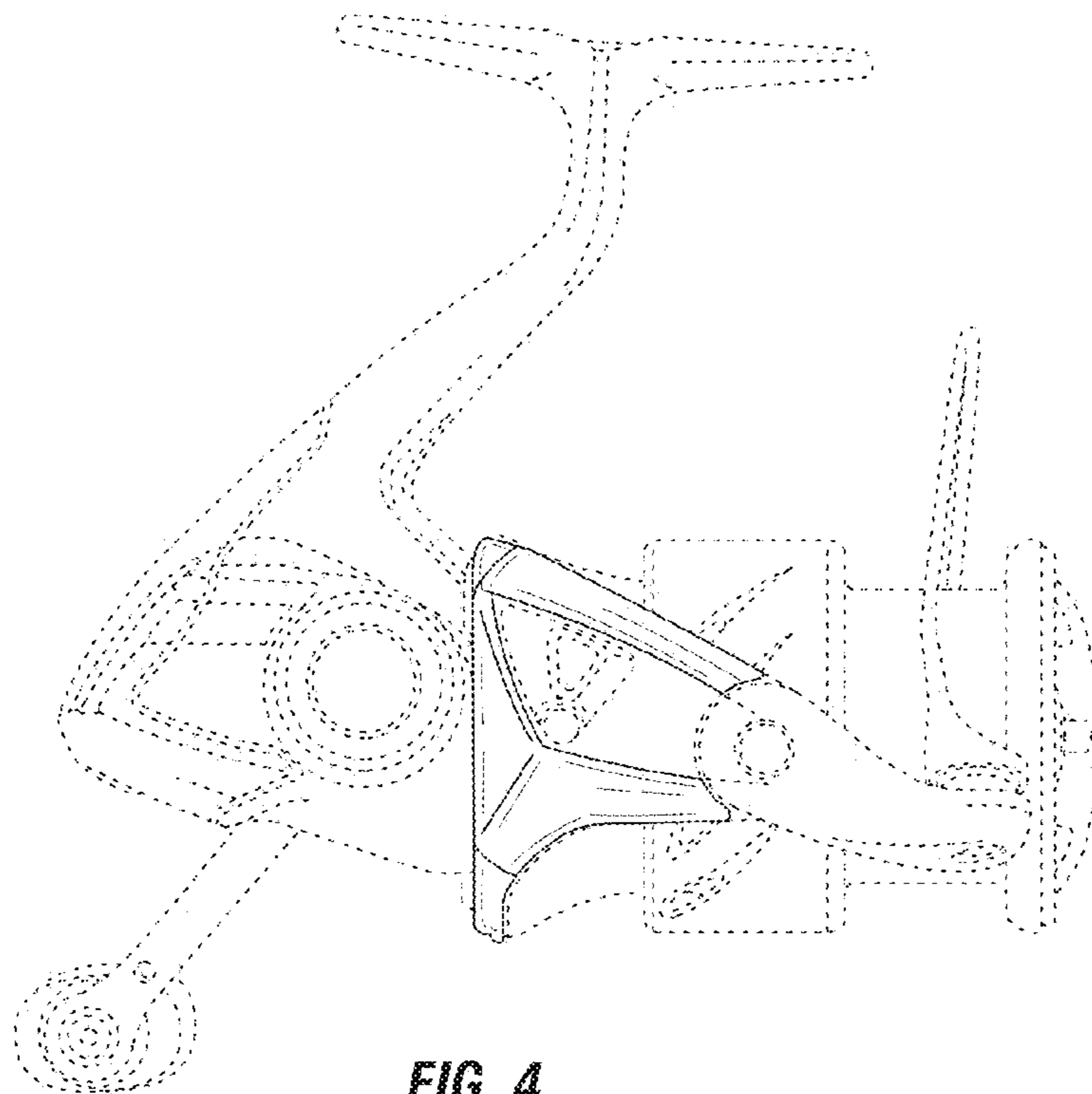


FIG. 4

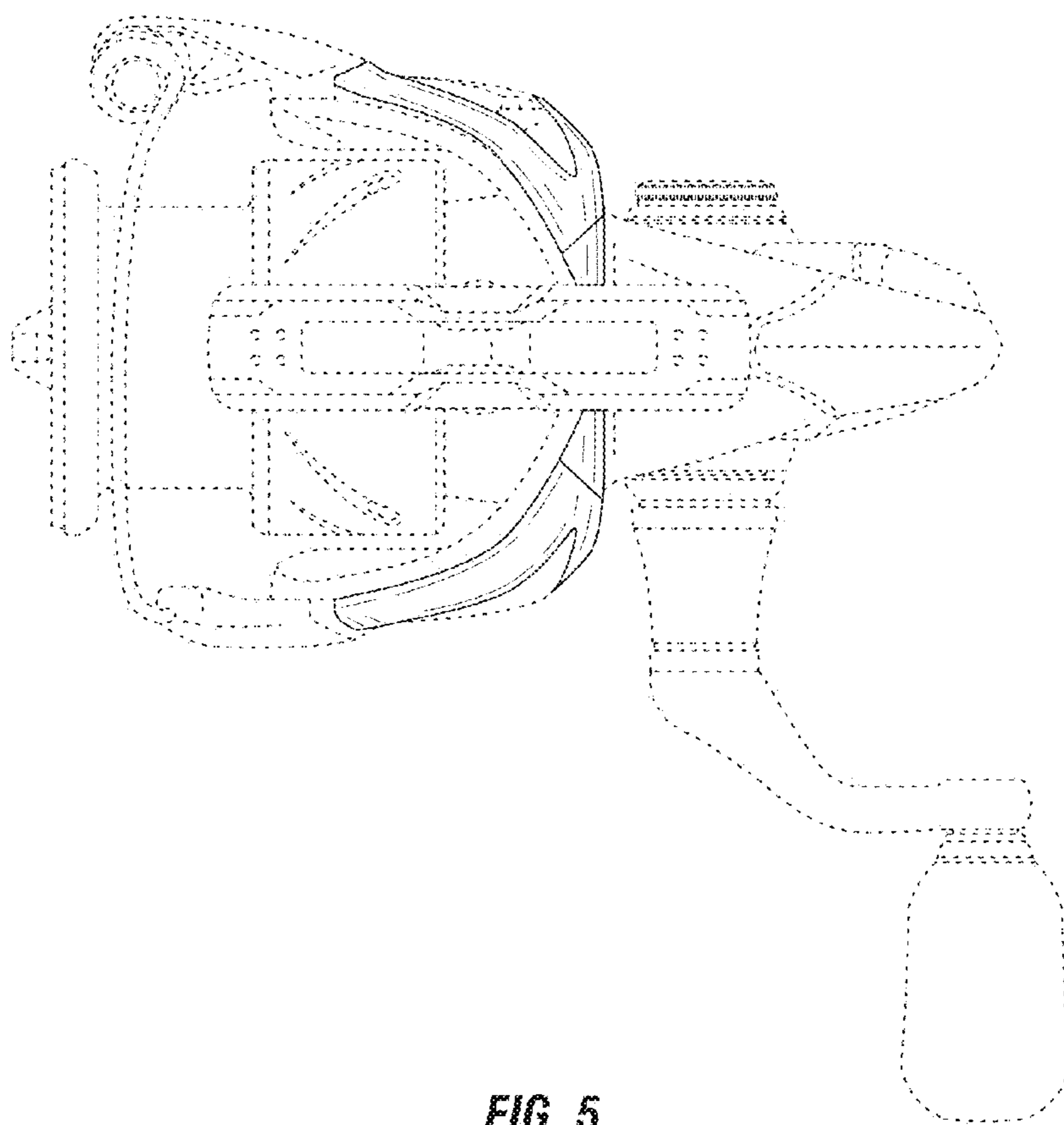


FIG. 5

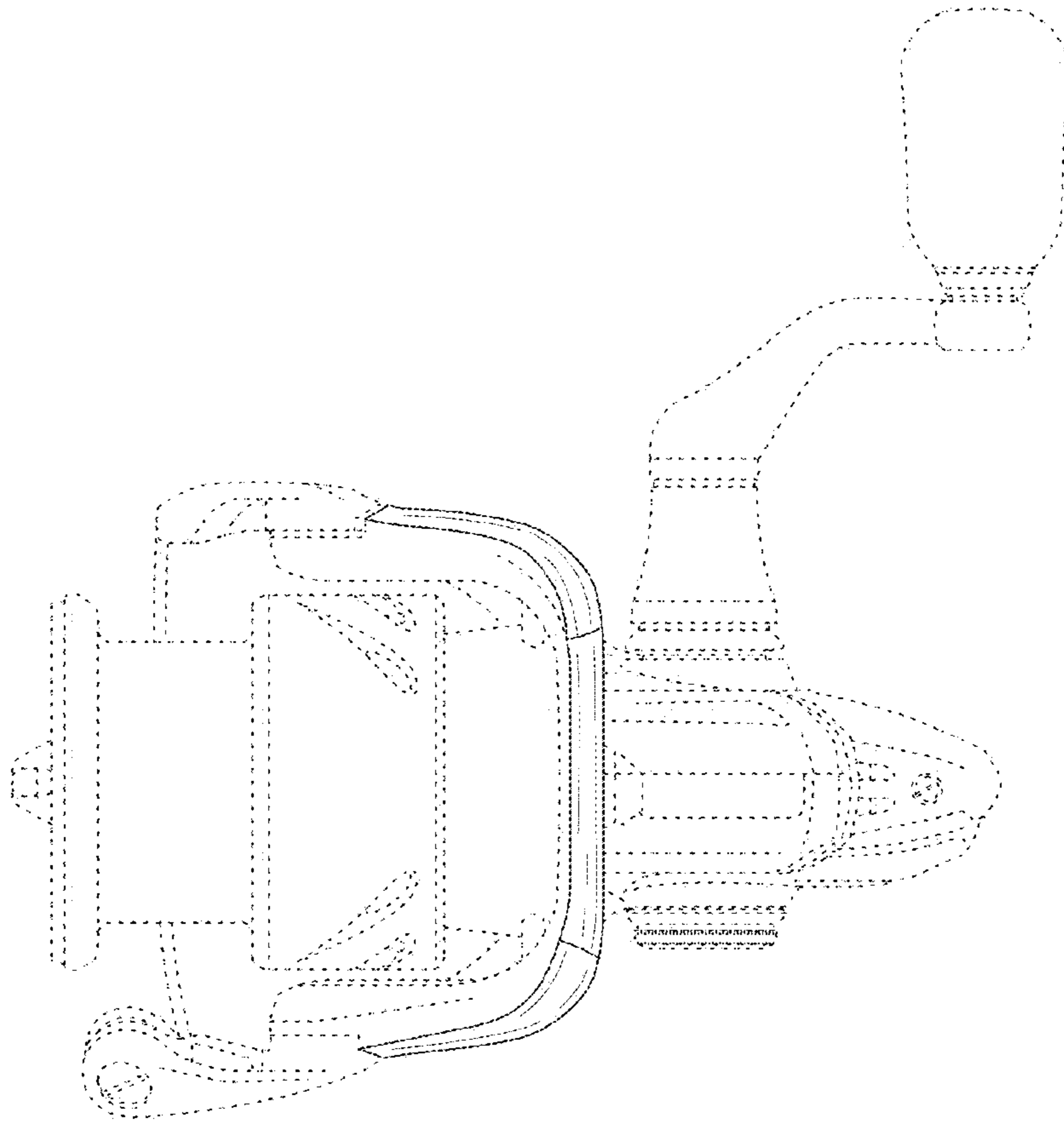


FIG. 6

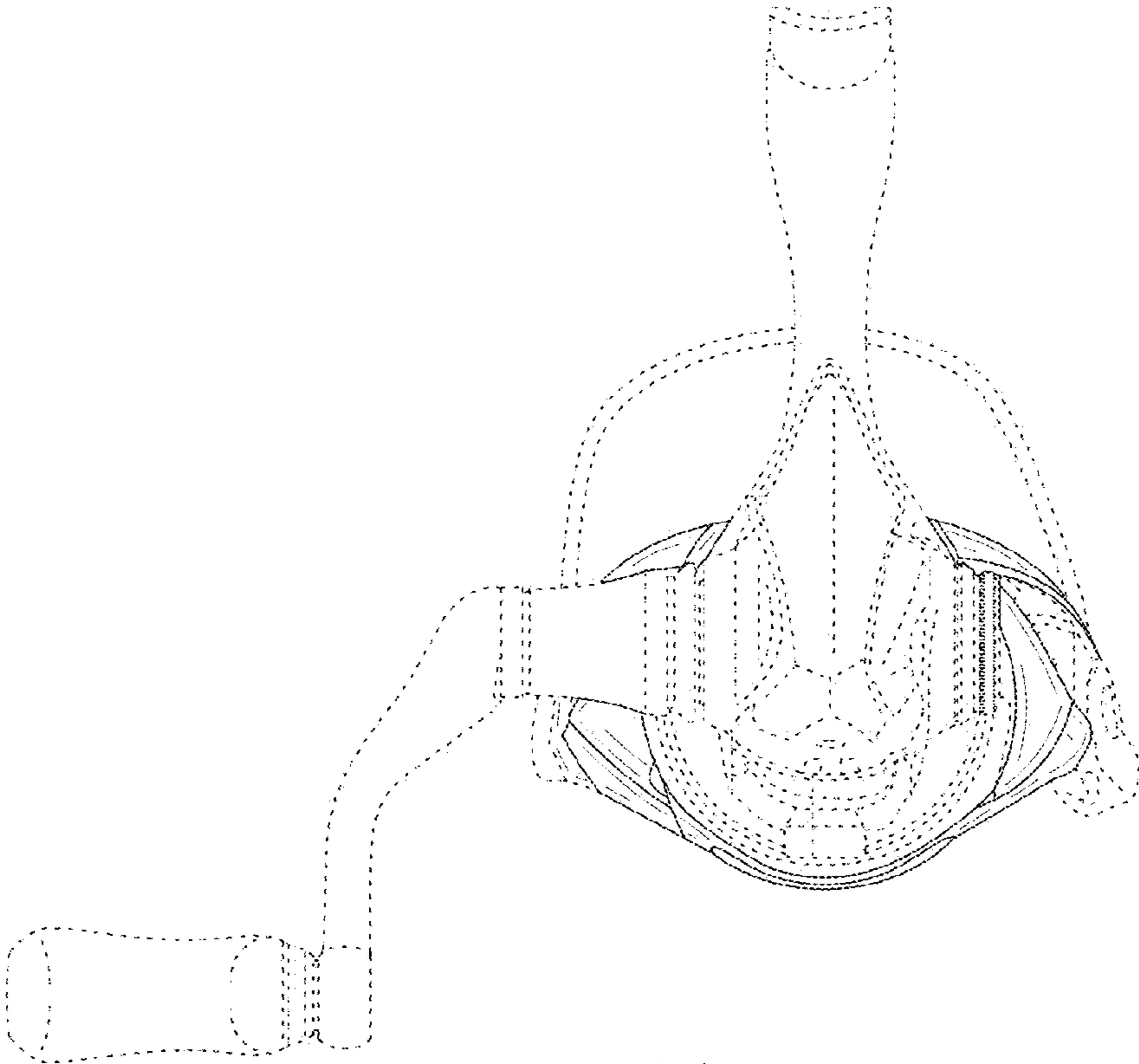


FIG. 7

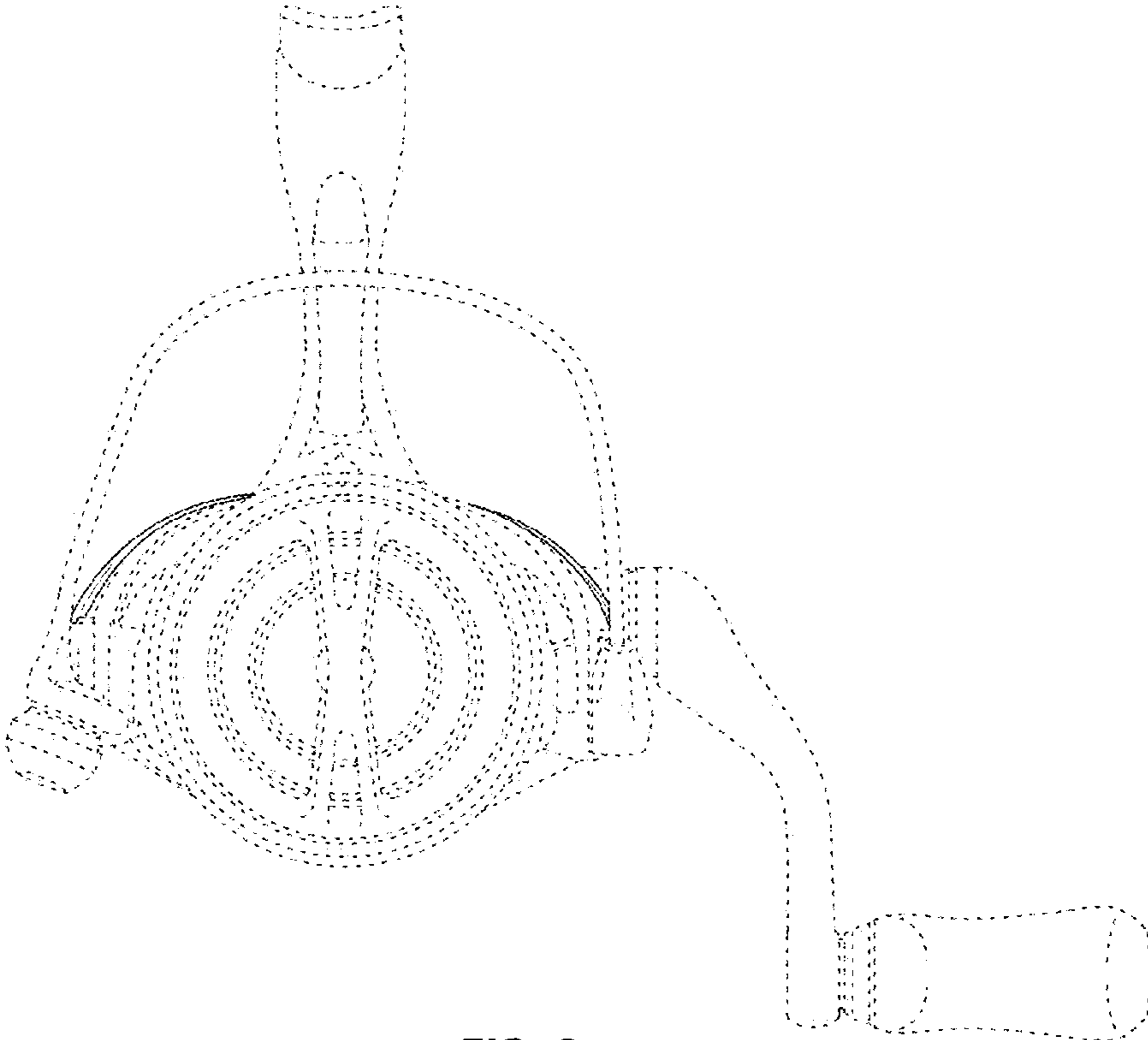


FIG. 8

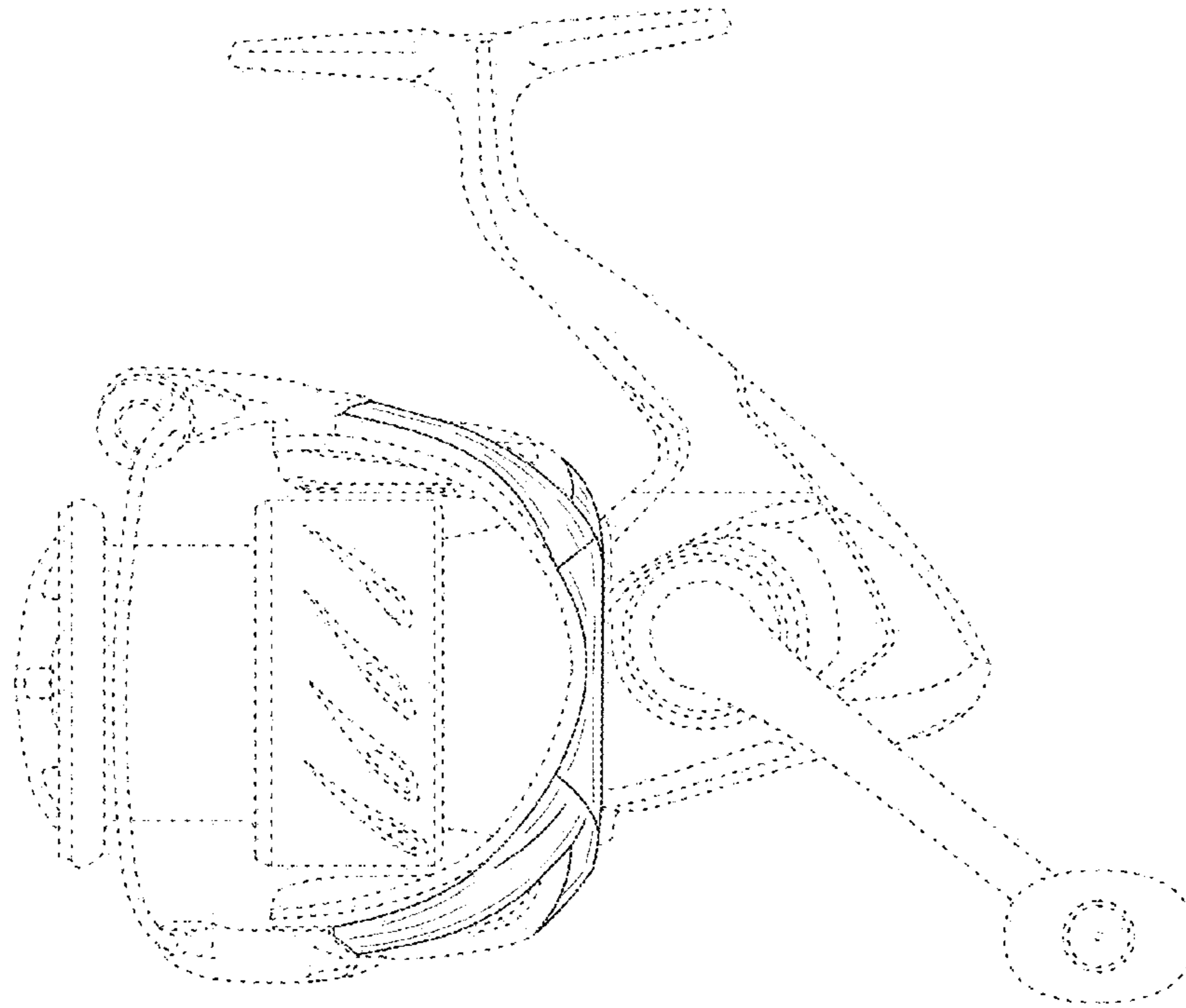


FIG. 9

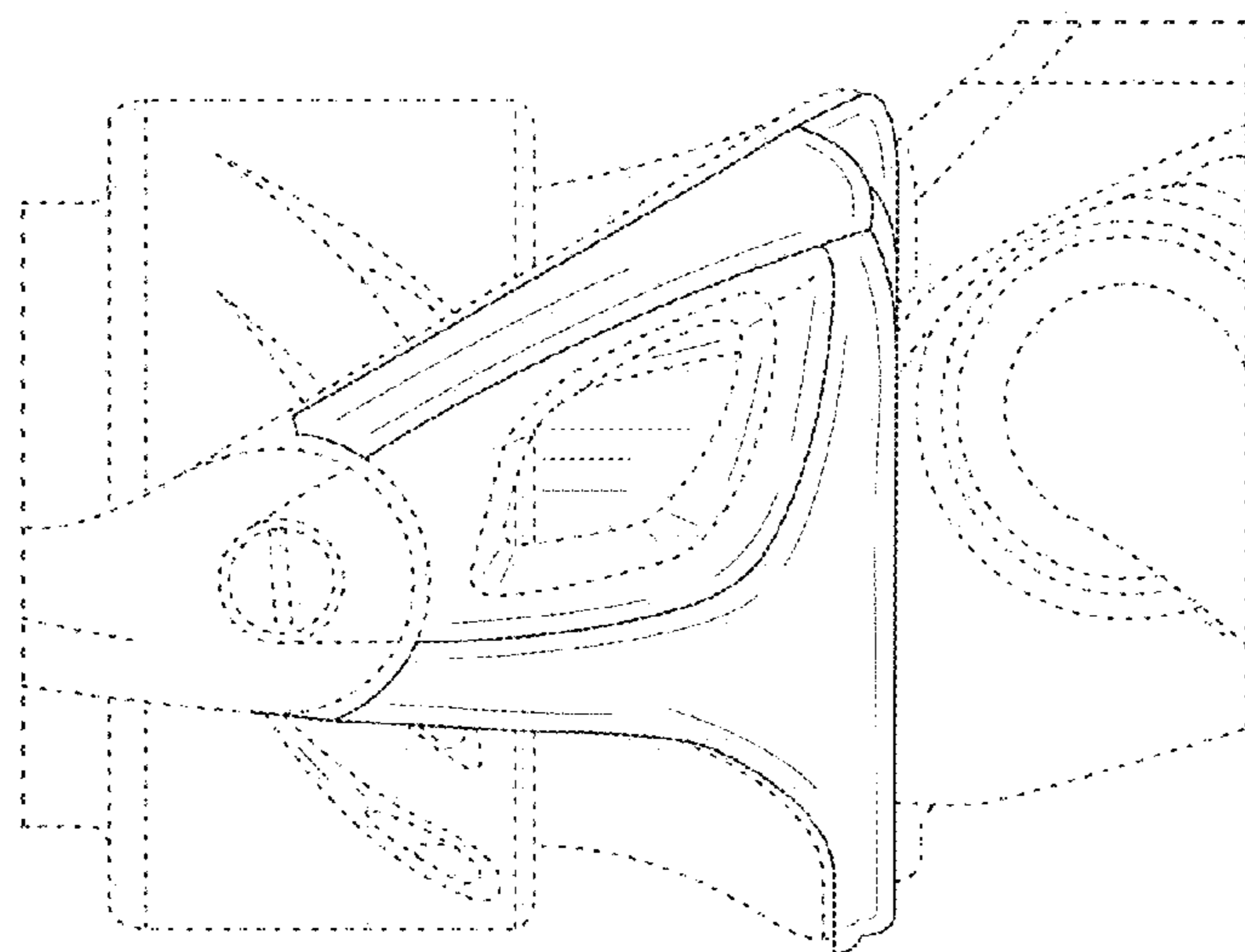


FIG. 10

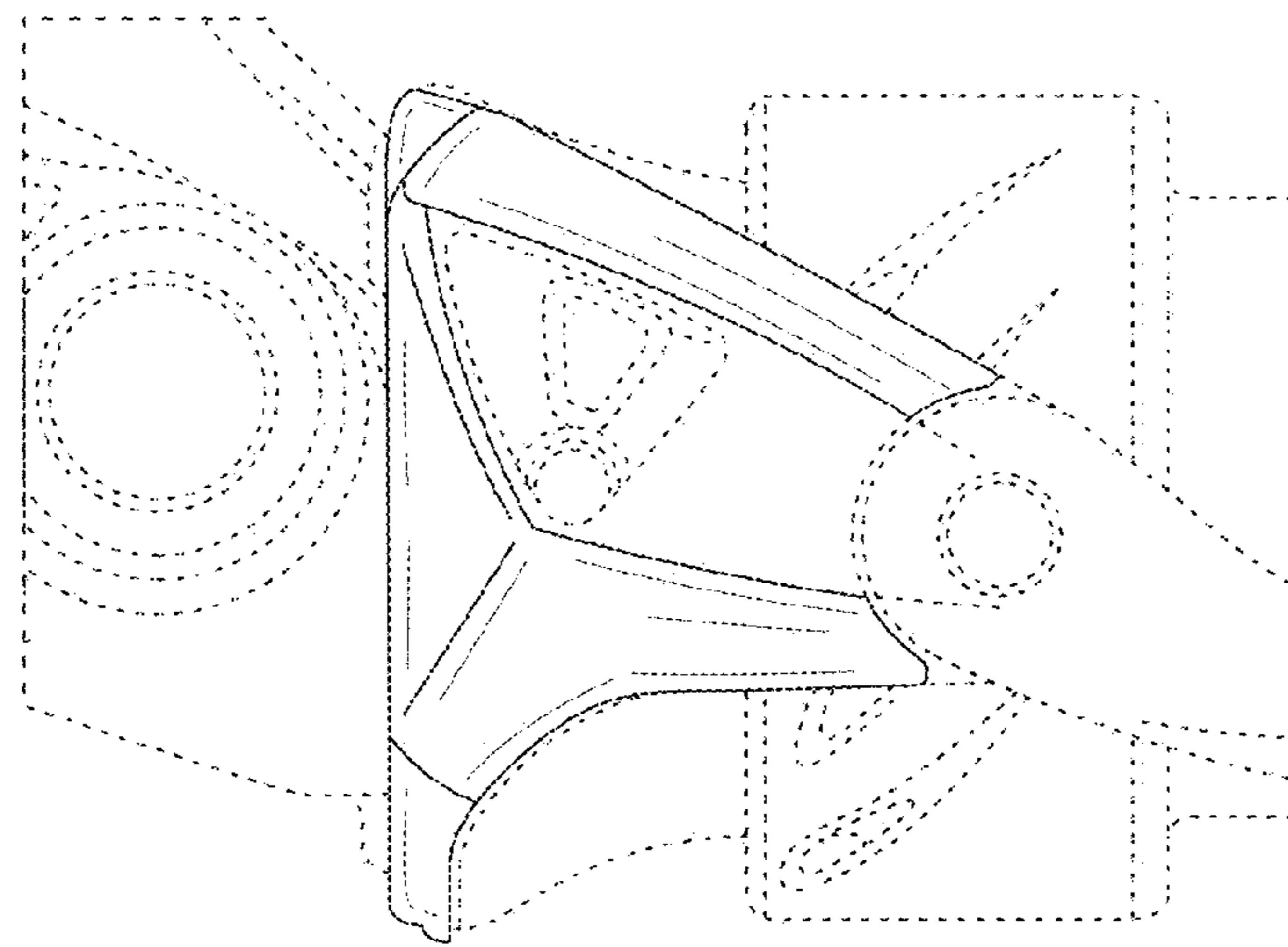


FIG. 11