



US00D725226S

(12) **United States Design Patent**
Altmann

(10) **Patent No.:** **US D725,226 S**
(45) **Date of Patent:** **** Mar. 24, 2015**

(54) **WACKY MASK FISHING LURE**

(71) Applicant: **Kurt Altmann**, Poughkeepsie, NY (US)

(72) Inventor: **Kurt Altmann**, Poughkeepsie, NY (US)

(**) Term: **14 Years**

(21) Appl. No.: **29/494,836**

(22) Filed: **Jun. 24, 2014**

(51) **LOC (10) Cl.** **22-05**

(52) **U.S. Cl.**

USPC **D22/126**

(58) **Field of Classification Search**

CPC A01K 85/00; A01K 85/005; A01K 85/16;
A01K 85/18; A01K 97/26

USPC D22/126-133; 43/42.26, 42.39, 42.03,
43/42.08, 42.11, 42.45, 42.13, 42.28, 26.2,
43/42.1, 42.02, 42.06, 42.09, 42.34

See application file for complete search history.

(56) **References Cited**

U.S. PATENT DOCUMENTS

2,477,460	A *	7/1949	Larson	43/42.34
2,484,744	A *	10/1949	Roman	43/42.06
2,736,123	A *	2/1956	Peterson	43/42.09
2,750,701	A *	6/1956	Beames	43/42.09
D360,675	S *	7/1995	Tameo	D22/126
D375,825	S *	11/1996	Whidden	D2/866
D663,902	S *	7/2012	Karlsson et al.	D14/205
D671,615	S *	11/2012	Moore	D22/127

* cited by examiner

Primary Examiner — Catheri Oliver-Garcia

(74) *Attorney, Agent, or Firm* — Law Offices of Ira D. Blecker, P.C.

(57) **CLAIM**

The ornamental design for a wacky mask fishing lure, as shown and described.

DESCRIPTION

FIG. 1 is a perspective view of a first embodiment of the wacky mask fishing lure having a rectangular opening and

printed indicia shown in an environment in which the wacky mask fishing lure may be secured to a worm by a hook and o-ring;

FIG. 2 is a perspective view of the first embodiment of the wacky mask fishing lure having printed indicia;

FIG. 3 is a top plan view of the wacky mask fishing lure of FIGS. 1 and 2;

FIG. 4 is a front view of the wacky mask fishing lure of FIGS. 1 and 2; the rear view being a mirror image thereof;

FIG. 5 is a right side elevational view of the wacky mask fishing lure of FIGS. 1 and 2; the left side elevational view being a mirror image thereof;

FIG. 6 is a bottom plan view of the wacky mask fishing lure of FIGS. 1 and 2;

FIG. 7 is a perspective view of a second embodiment of the wacky mask fishing lure in which the wacky mask fishing lure of FIGS. 1 and 2 has different printed indicia;

FIG. 8 is a top plan view of the wacky mask fishing lure of FIG. 7;

FIG. 9 is a front view of the wacky mask fishing lure of FIG. 7; the rear view being a mirror image thereof;

FIG. 10 is a right side elevational view of the wacky mask fishing lure of FIG. 7; the left side elevational view being a mirror image thereof;

FIG. 11 is a bottom plan view of the wacky mask fishing lure of FIG. 7;

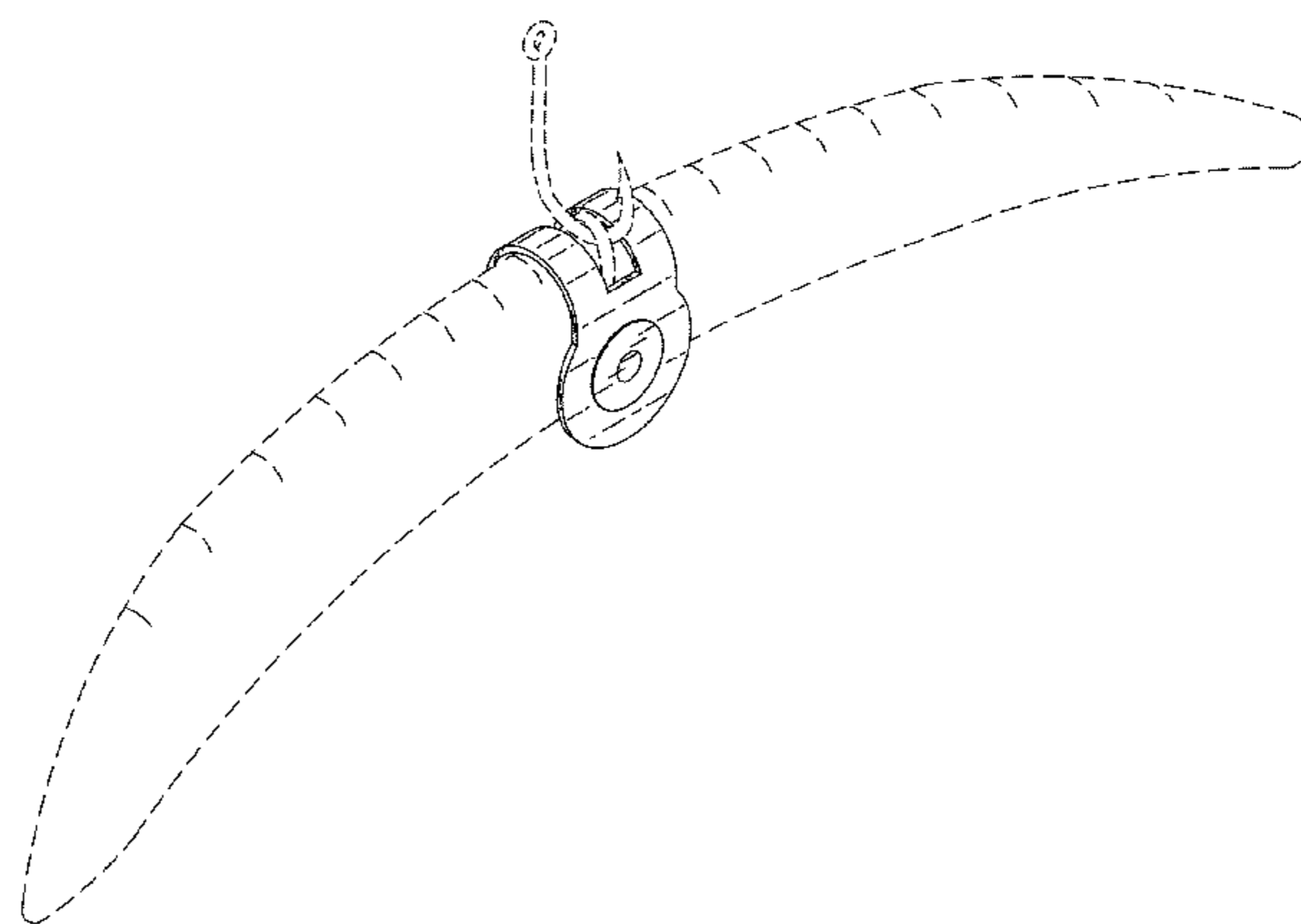
FIG. 12 is a perspective view of a third embodiment of the wacky mask fishing lure the same as the first embodiment, except the printed indicia has been removed;

FIG. 13 is a perspective view of a fourth embodiment of the wacky mask fishing lure the same as the first embodiment, except there is an oval opening and the printed indicia; and,

FIG. 14 is a perspective view of the fifth embodiment of the wacky mask fishing lure, the same as the first embodiment with the exception of the two openings for a hook and including the printed indicia.

The broken line showing of environment in the drawings is included for the purpose of illustrating and forms no part of the claimed design.

1 Claim, 5 Drawing Sheets



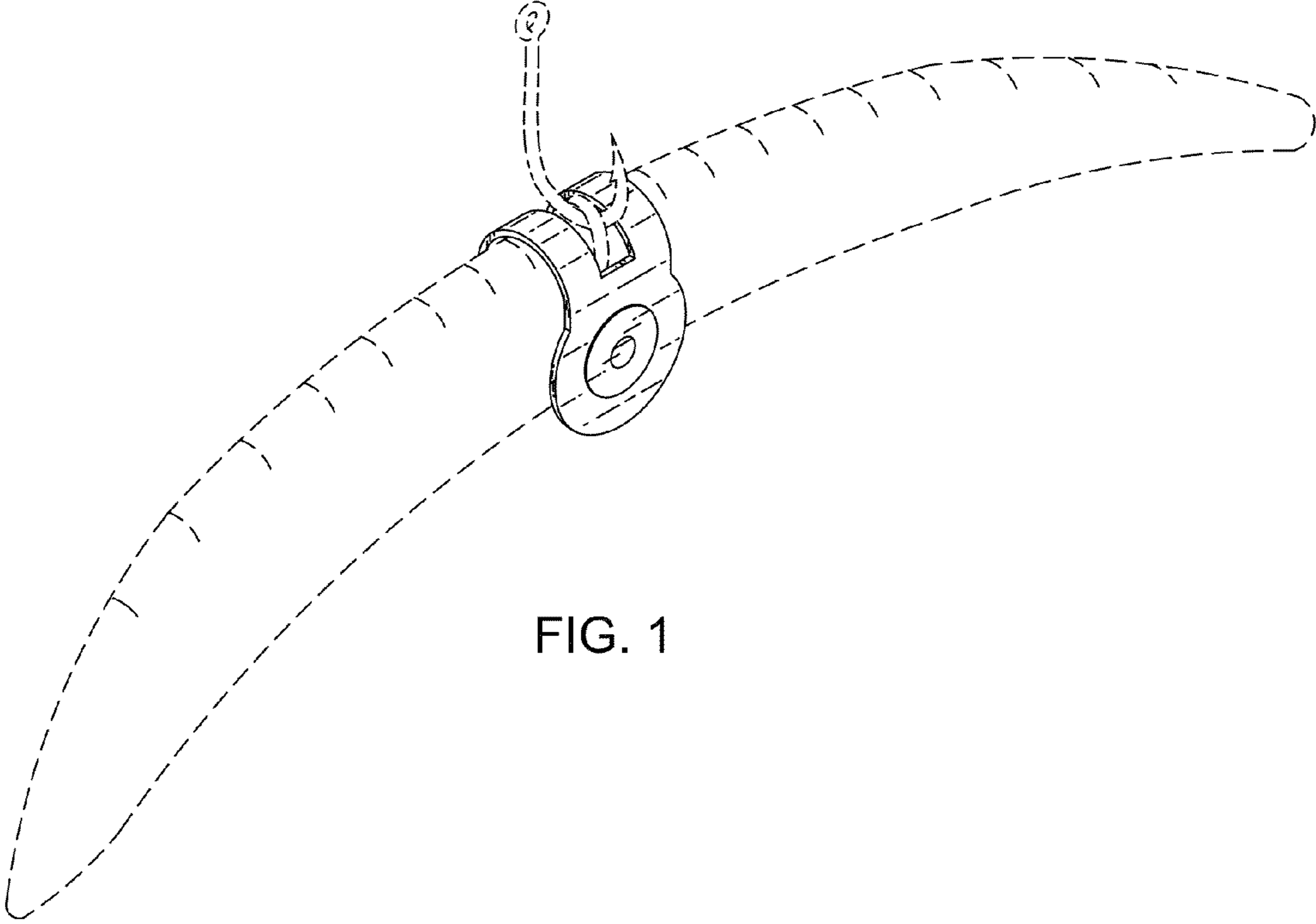


FIG. 1

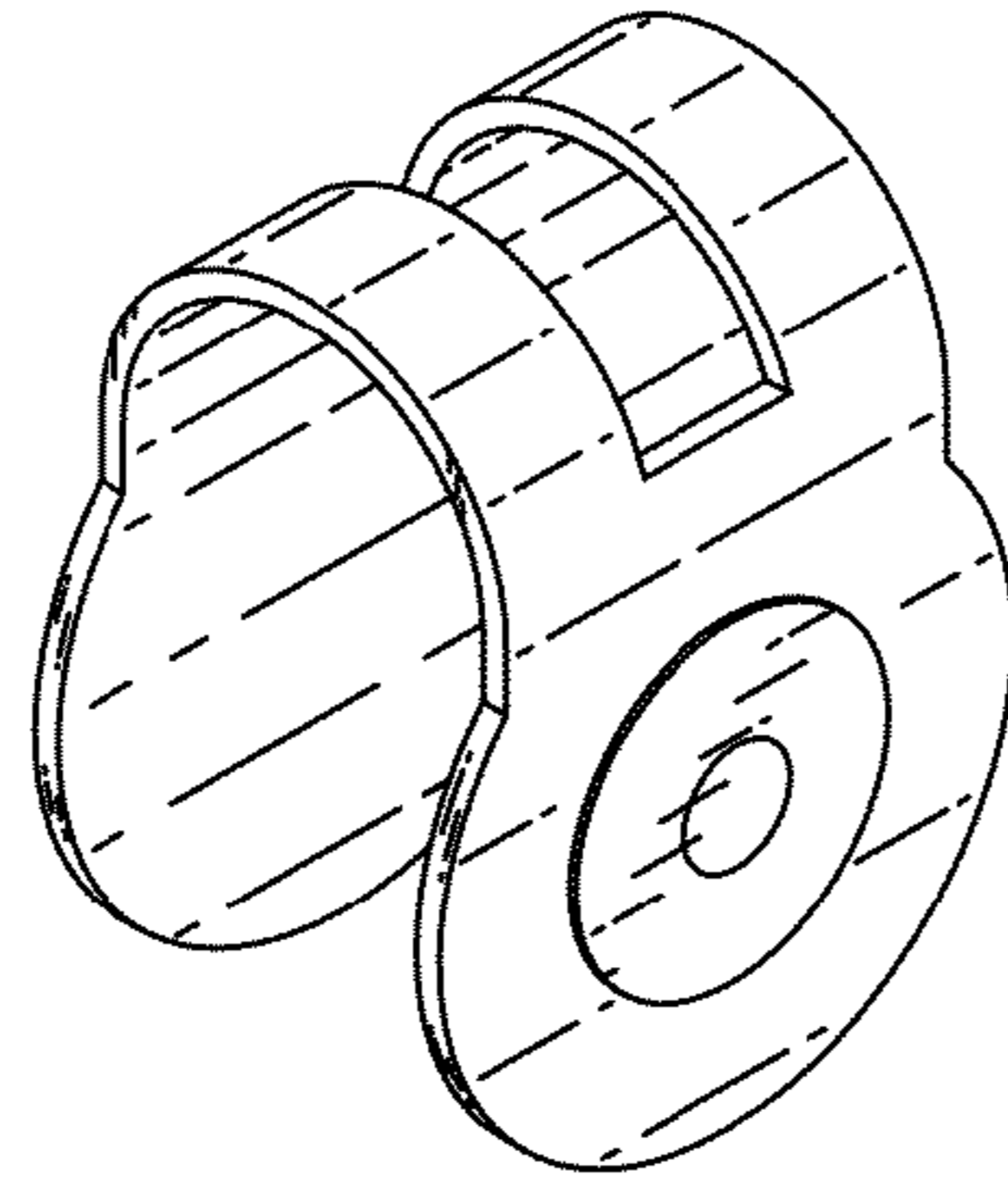


FIG. 2

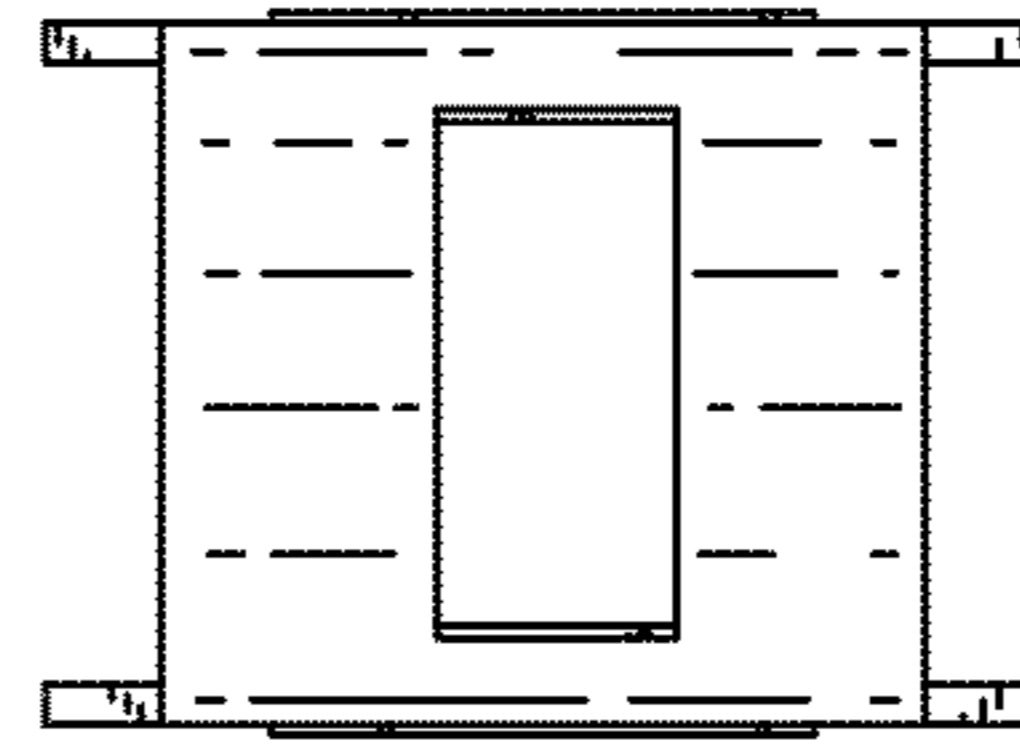


FIG. 3

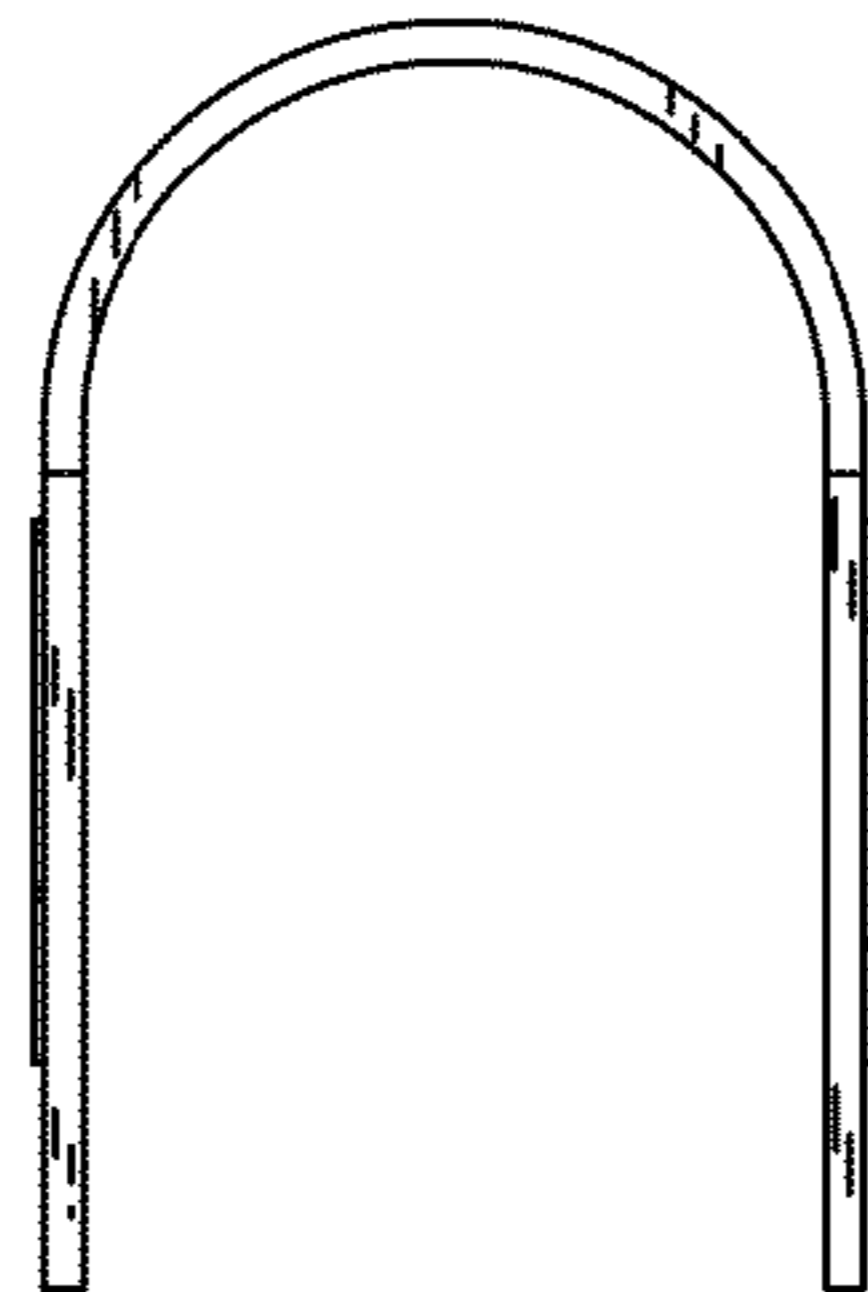


FIG. 4

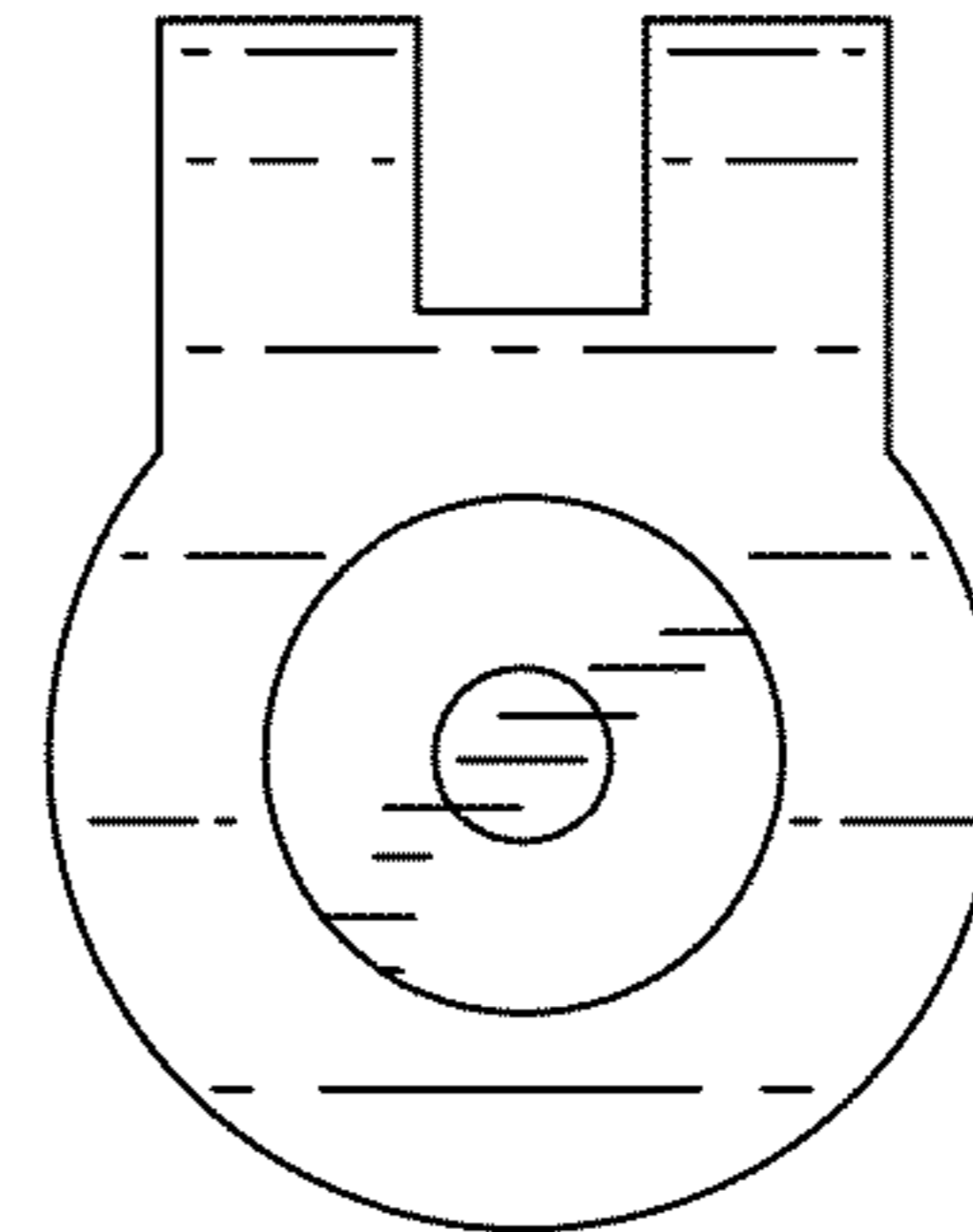


FIG. 5

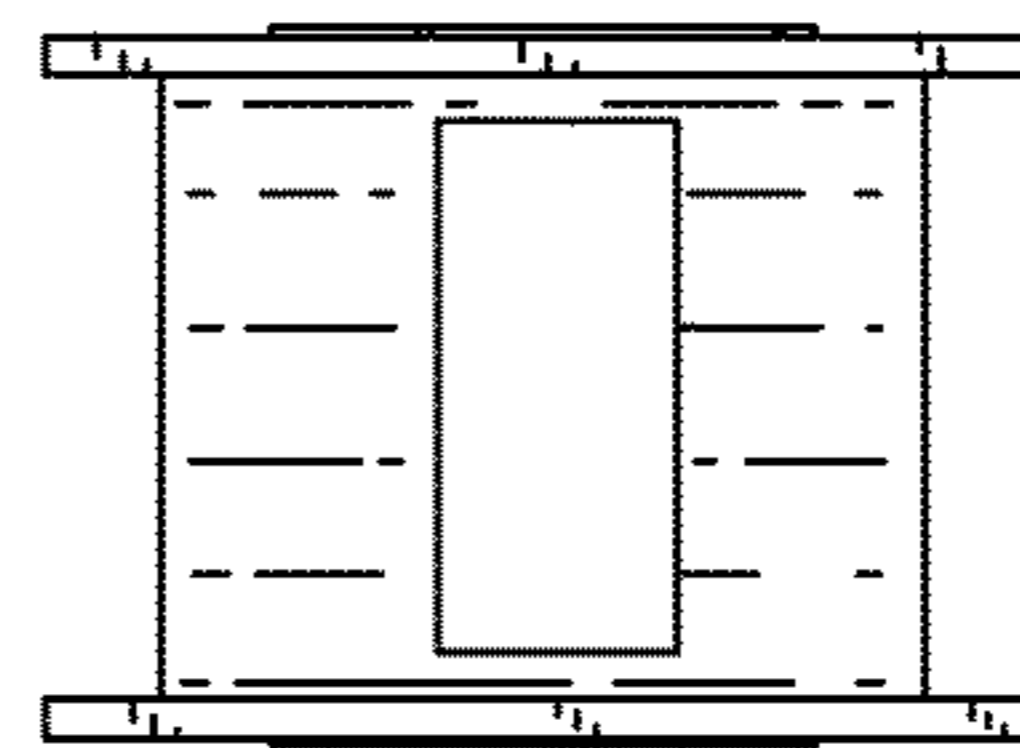


FIG. 6

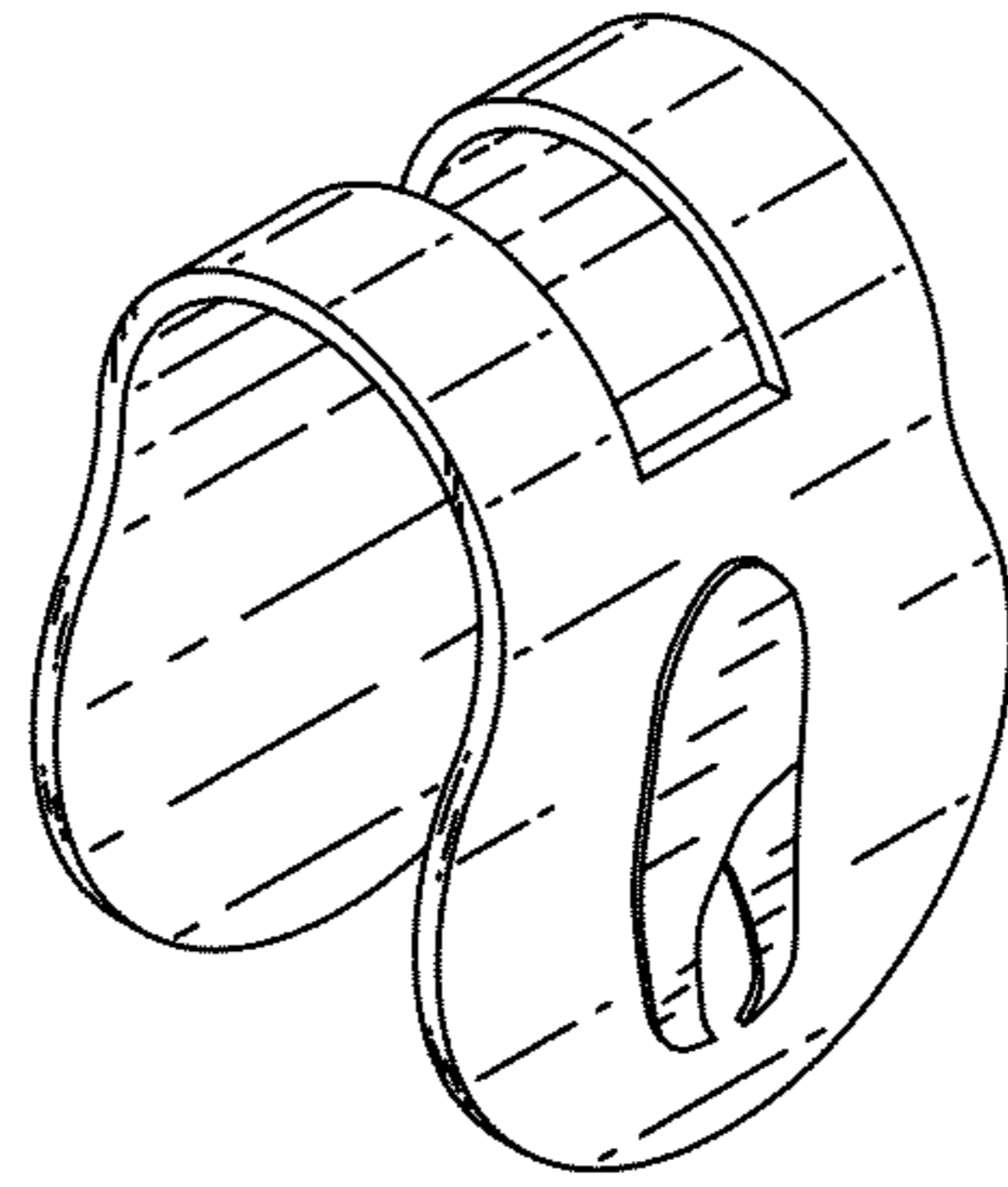


FIG. 7

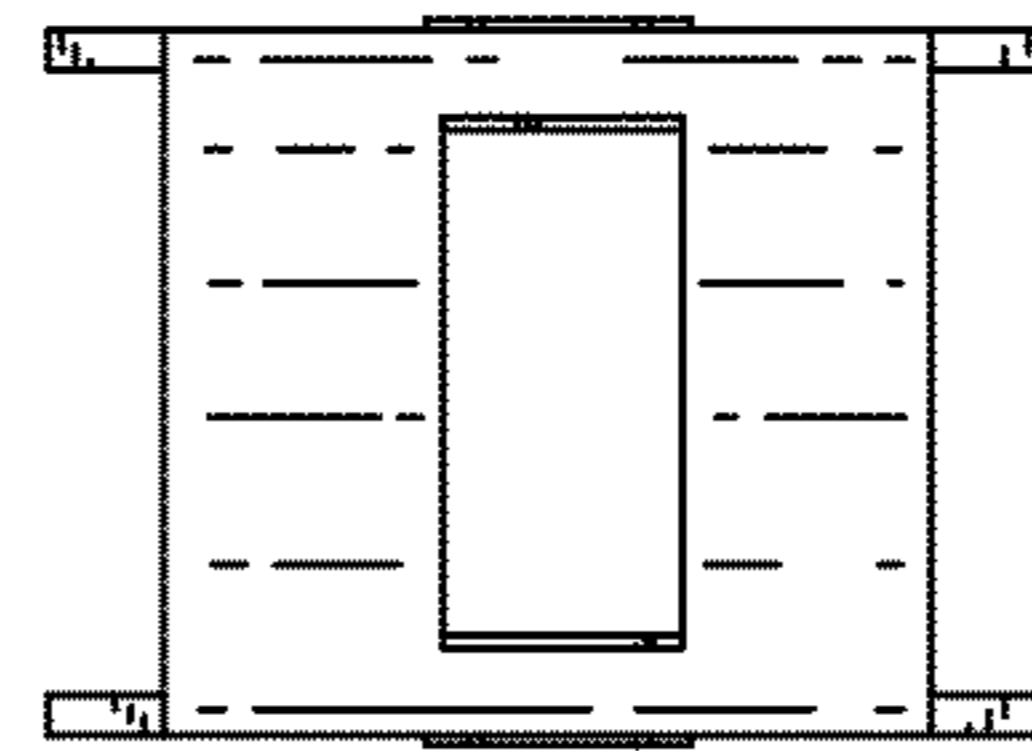


FIG. 8

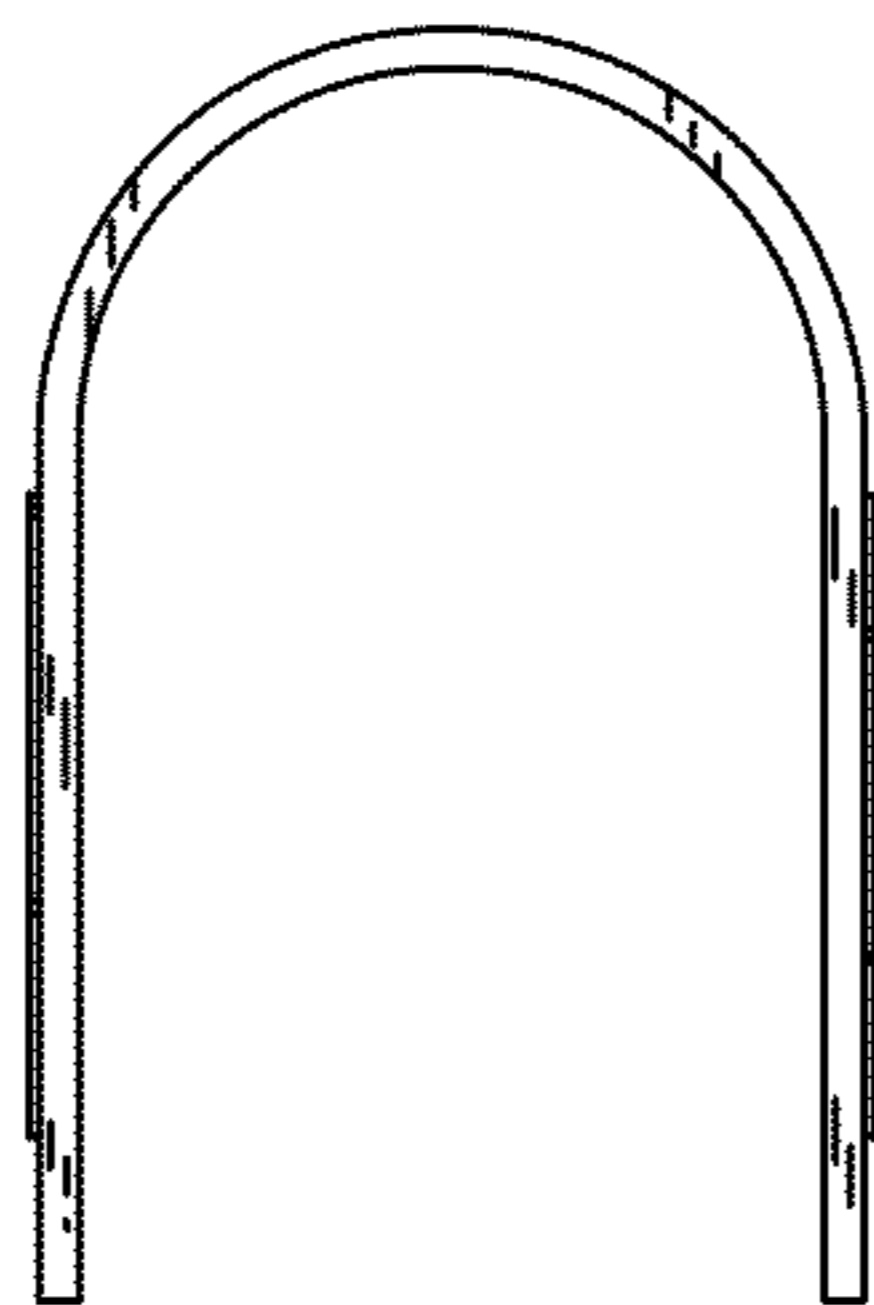


FIG. 9

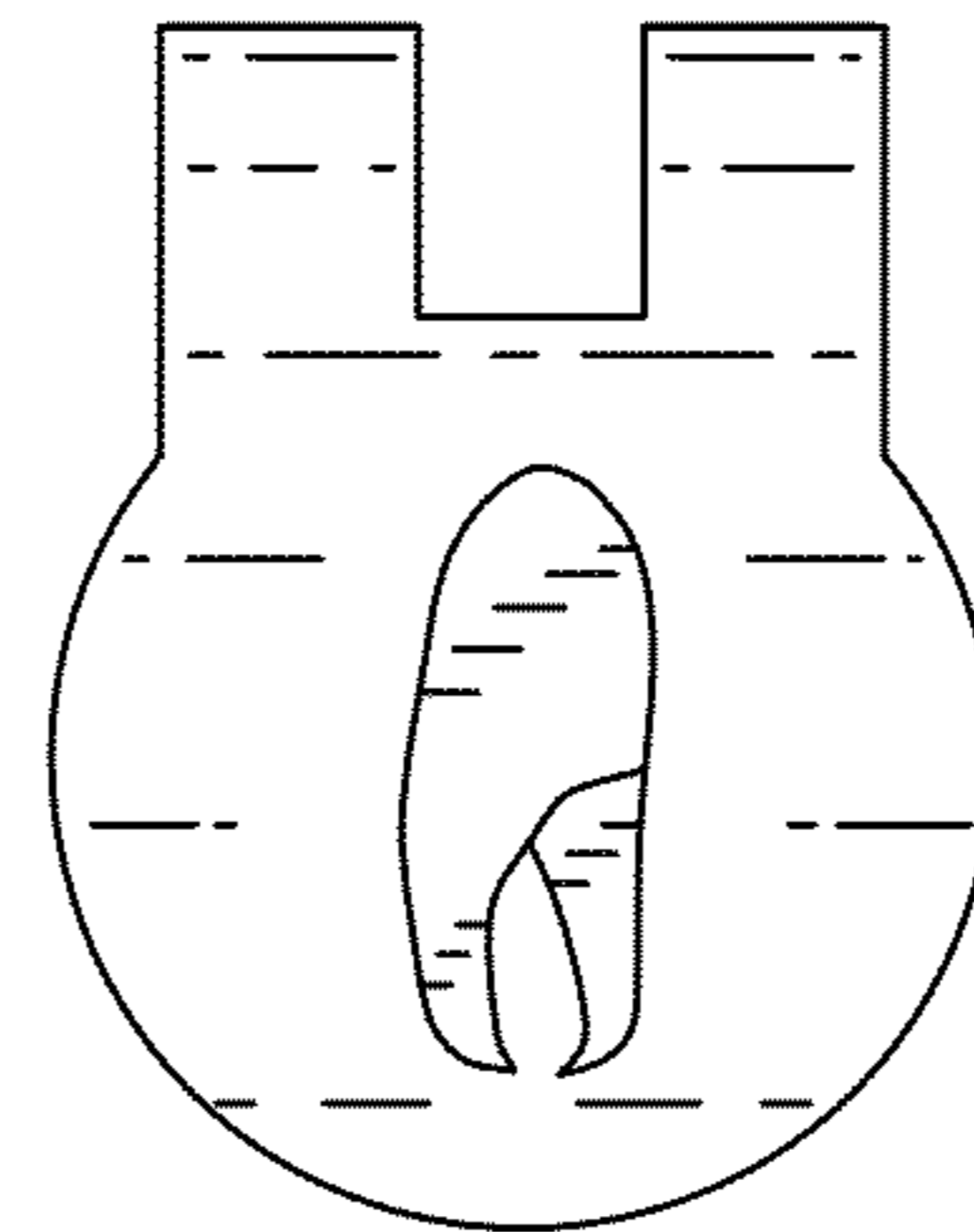


FIG. 10

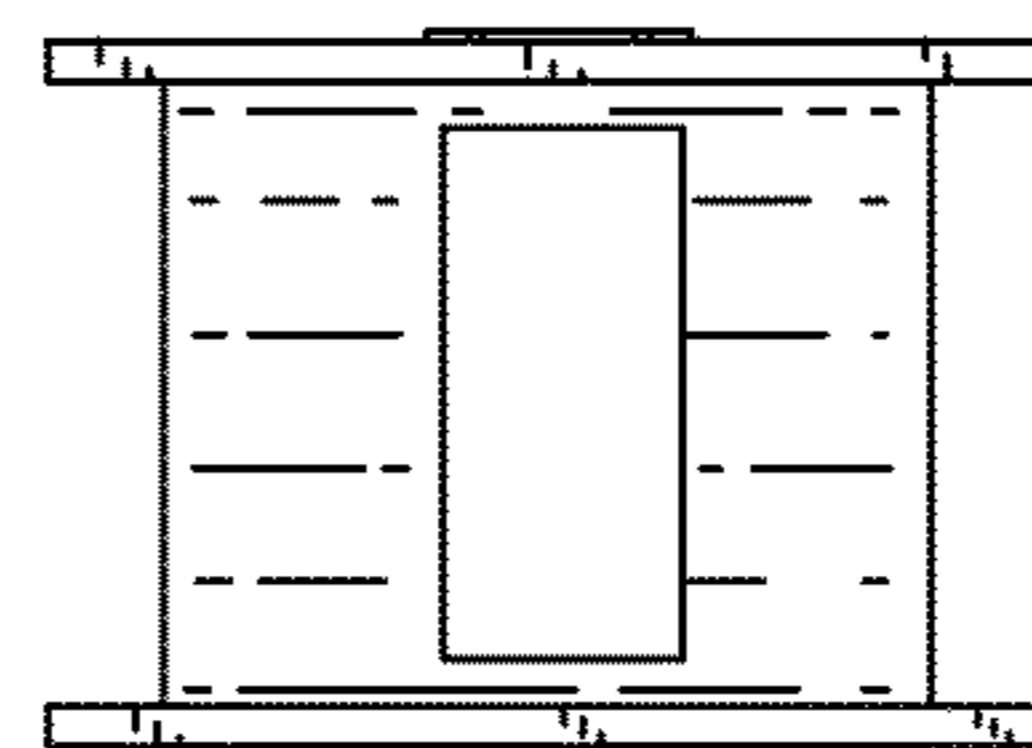


FIG. 11

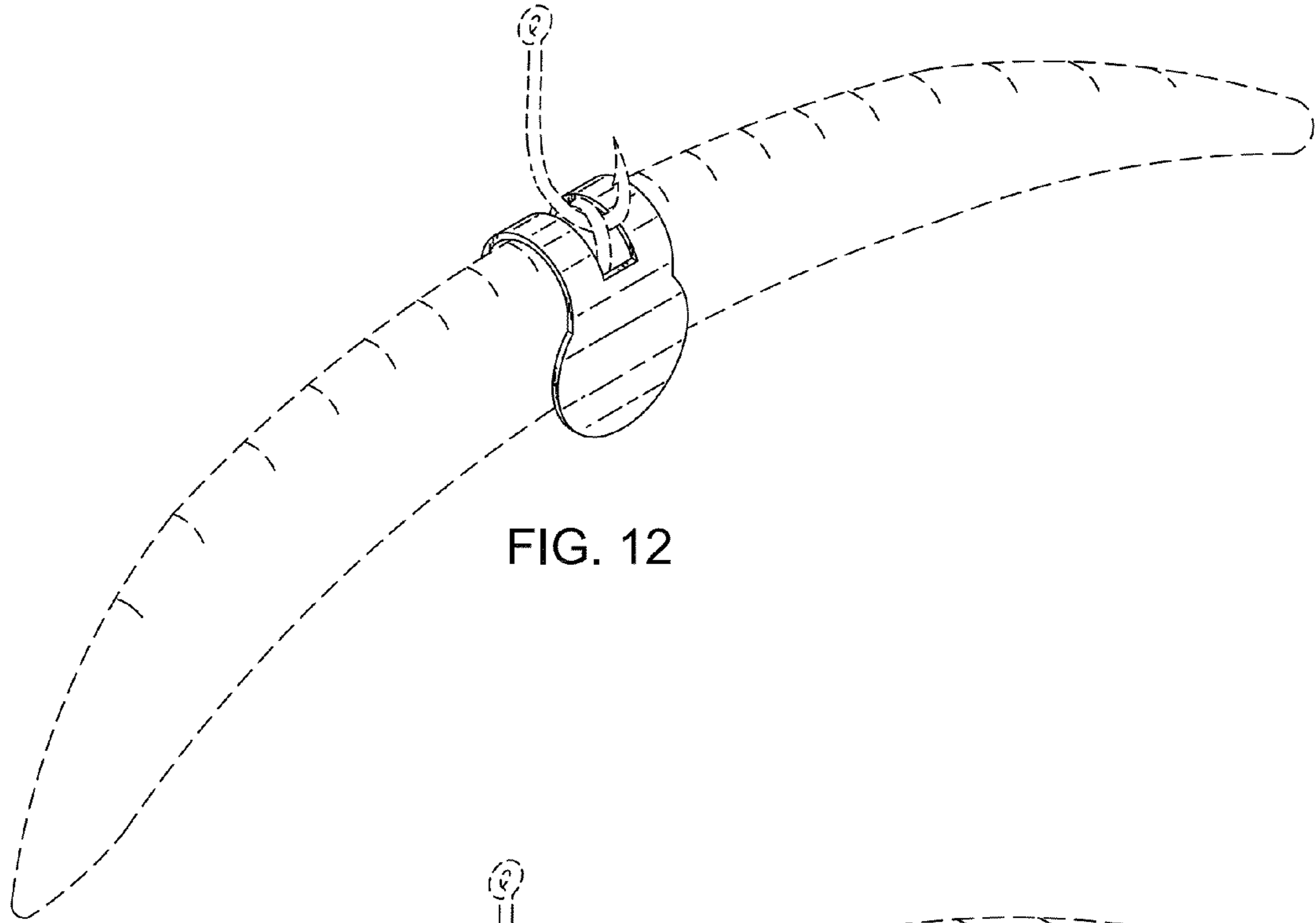


FIG. 12

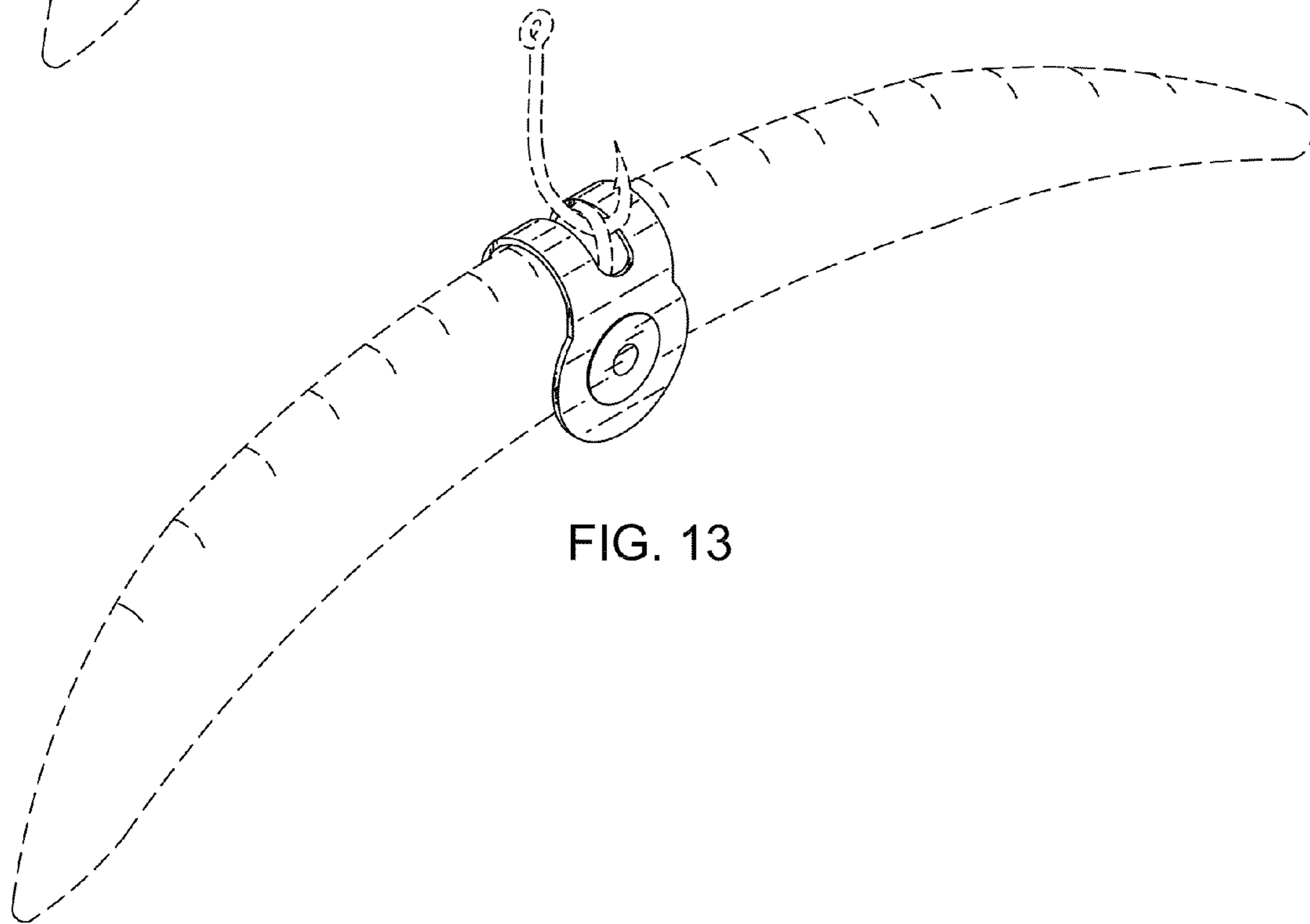


FIG. 13

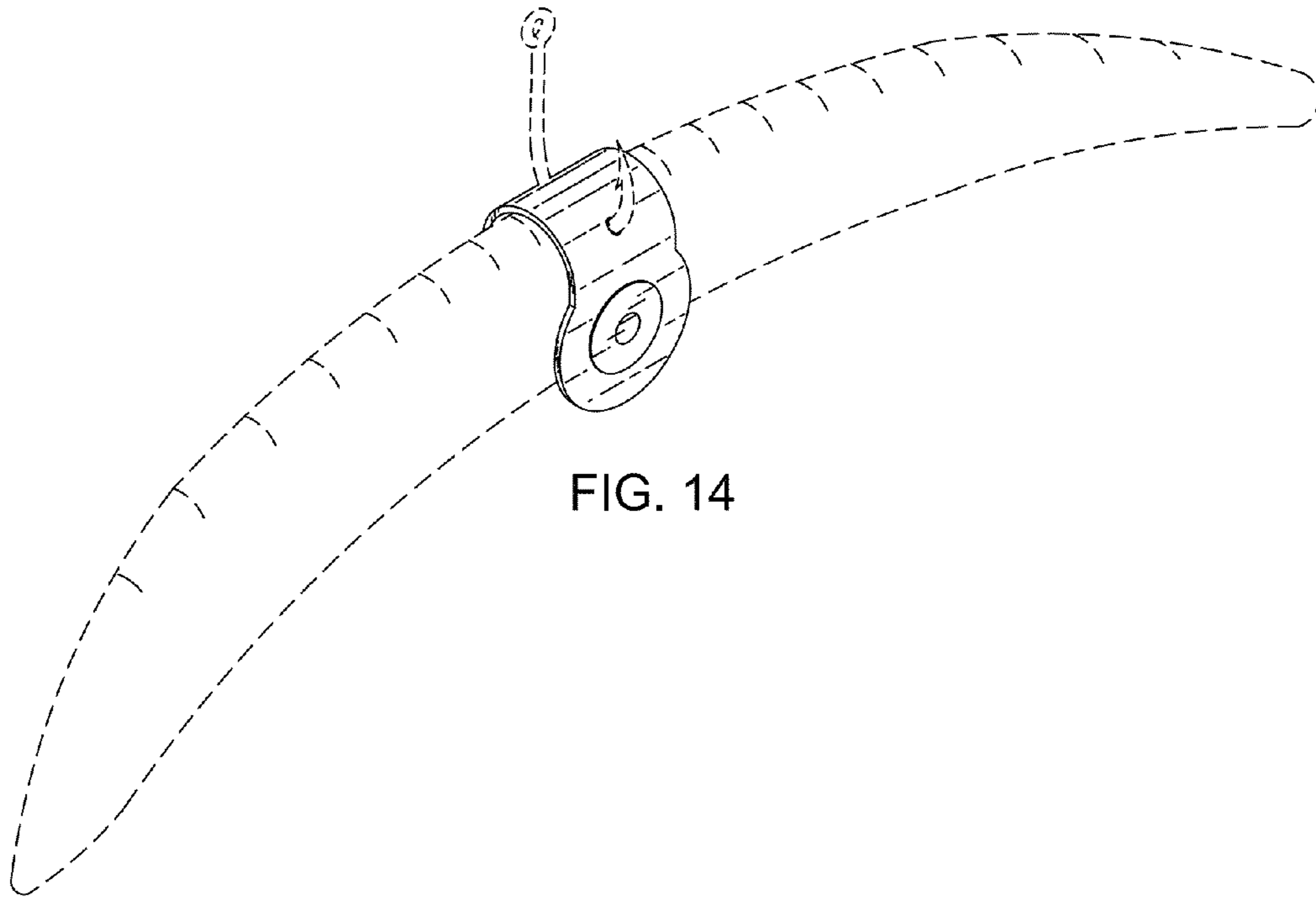


FIG. 14