



US00D725224S

(12) **United States Design Patent**
Zhang et al.

(10) **Patent No.:** **US D725,224 S**
(45) **Date of Patent:** **** Mar. 24, 2015**

- (54) **ANT BAIT STATION**
- (71) Applicant: **Sterling International Inc.**, Spokane, WA (US)
- (72) Inventors: **Qing-He Zhang**, Greenacres, WA (US);
Marc Chapin, Spokane, WA (US);
Rodney G. Schneidmiller, Greenacres, WA (US)
- (73) Assignee: **Sterling International Inc.**, Spokane, WA (US)
- (**) Term: **14 Years**
- (21) Appl. No.: **29/489,123**
- (22) Filed: **Apr. 25, 2014**
- (51) **LOC (10) Cl.** **22-06**
- (52) **U.S. Cl.**
USPC **D22/122**
- (58) **Field of Classification Search**
USPC D22/119–124; 43/58, 60–61, 107,
43/112–113, 121, 124, 131, 132.1
See application file for complete search history.

D639,895 S	6/2011	Schneidmiller	
D686,689 S *	7/2013	Bernard	D22/122
D694,849 S *	12/2013	Ots	D22/122
D701,285 S	3/2014	Chapin	
D712,503 S *	9/2014	Aiston	D22/122
2013/0318860 A1	12/2013	Zhang	

OTHER PUBLICATIONS

Zhang, Q-H., et al., "Fruit Fly Trap," U.S. Appl. No. 29/479,096, filed Jan. 10, 2014.
 Zhang, Q-H., et al., "Fruit Fly Trap Entry Structure," U.S. Appl. No. 29/479,095, filed Jan. 10, 2014.
 Zhang, Q-H., et al., "Translucent Fruit Fly Trap," U.S. Appl. No. 29/479,094, filed Jan. 10, 2014.

* cited by examiner

Primary Examiner — Catheri Oliver-Garcia
 (74) *Attorney, Agent, or Firm* — Christensen O'Connor Johnson Kindness PLLC

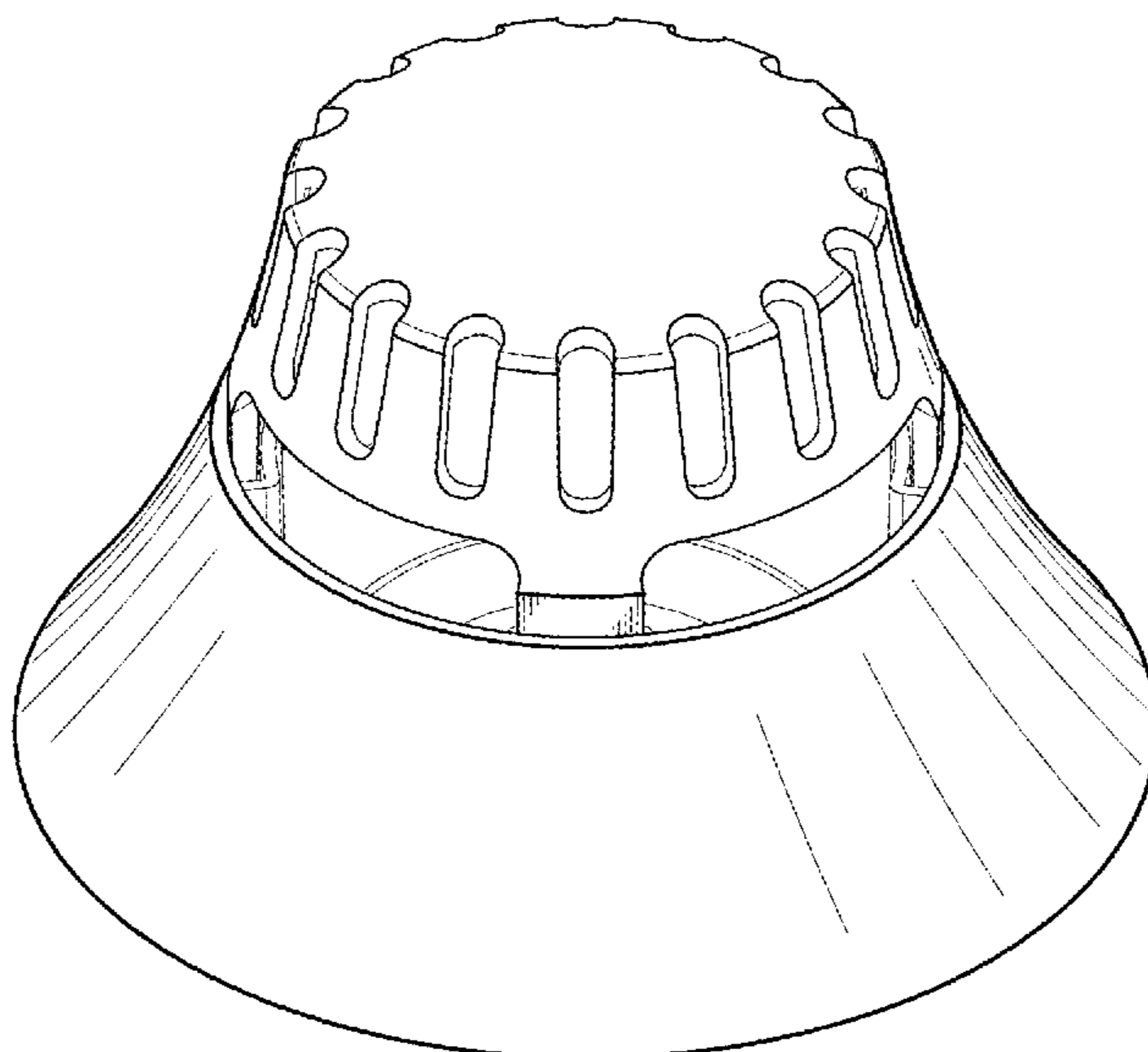
(57) **CLAIM**
 The ornamental design of an ant bait station, as shown.

DESCRIPTION

FIG. 1 is an upper perspective of an ant bait station in accordance with the present design;
 FIG. 2 is a lower perspective view of the ant bait station shown in FIG. 1;
 FIG. 3 is a plan view of the ant bait station shown in FIG. 1;
 FIG. 4 is a bottom view of the ant bait station shown in FIG. 1; and,
 FIG. 5 is a front view of the ant bait station shown in FIG. 1, which is the same as the rear view, and the left side view, and the right side view.

1 Claim, 5 Drawing Sheets

- (56) **References Cited**
- U.S. PATENT DOCUMENTS
- D374,703 S * 10/1996 Dickson et al. D22/122
- D425,961 S * 5/2000 Kemmis D22/122
- 6,216,384 B1 * 4/2001 Dickson et al. 43/131
- 6,651,378 B2 * 11/2003 Baker 43/131
- 6,789,352 B2 * 9/2004 Price et al. 43/131
- D515,175 S * 2/2006 Mayo et al. D22/122
- 7,165,353 B2 * 1/2007 Matts et al. 43/131
- D544,064 S * 6/2007 Kerl et al. D22/122
- 7,310,908 B2 * 12/2007 Bernard et al. 43/131
- D577,413 S * 9/2008 Long D22/122



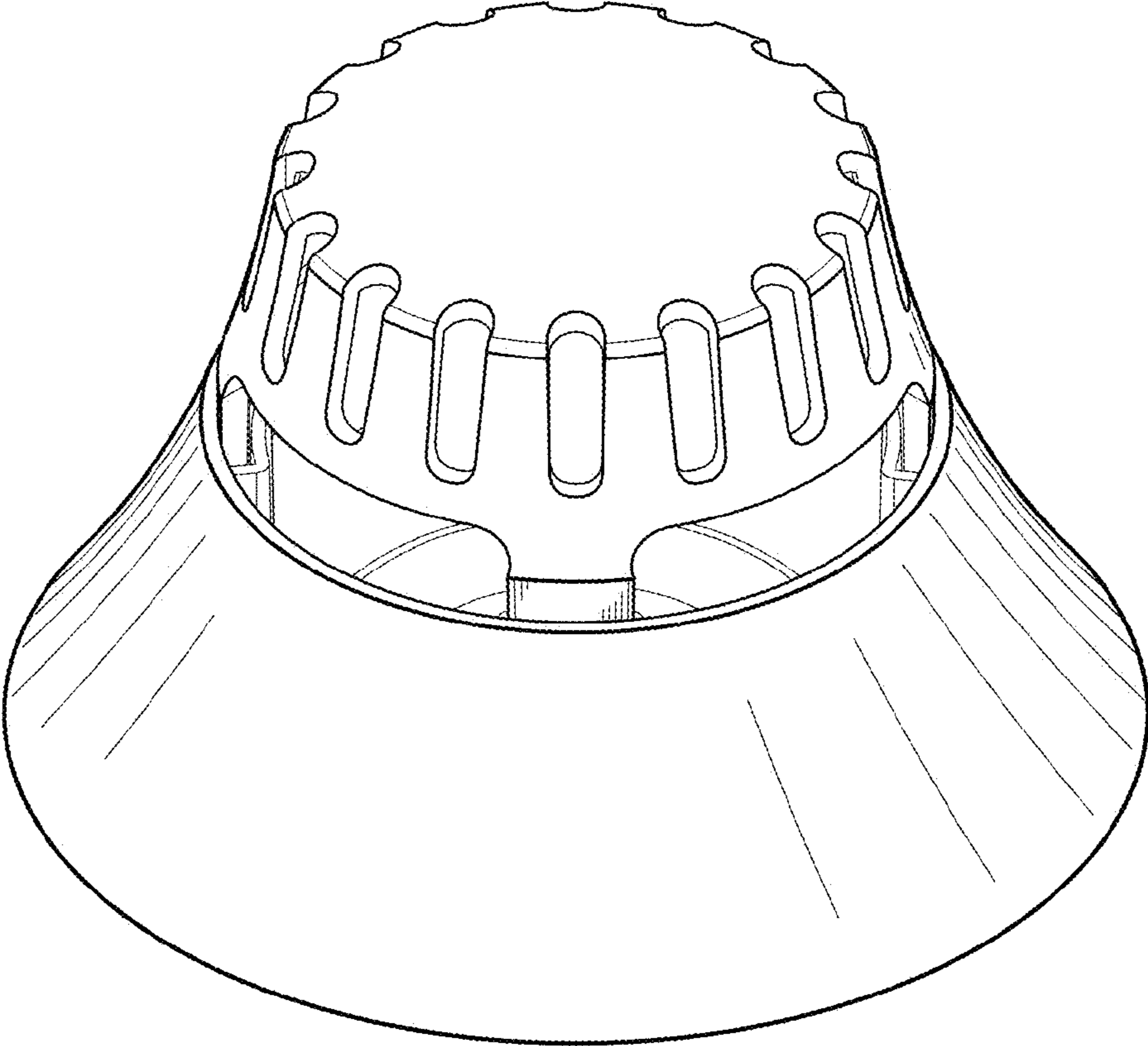


Fig. 1.

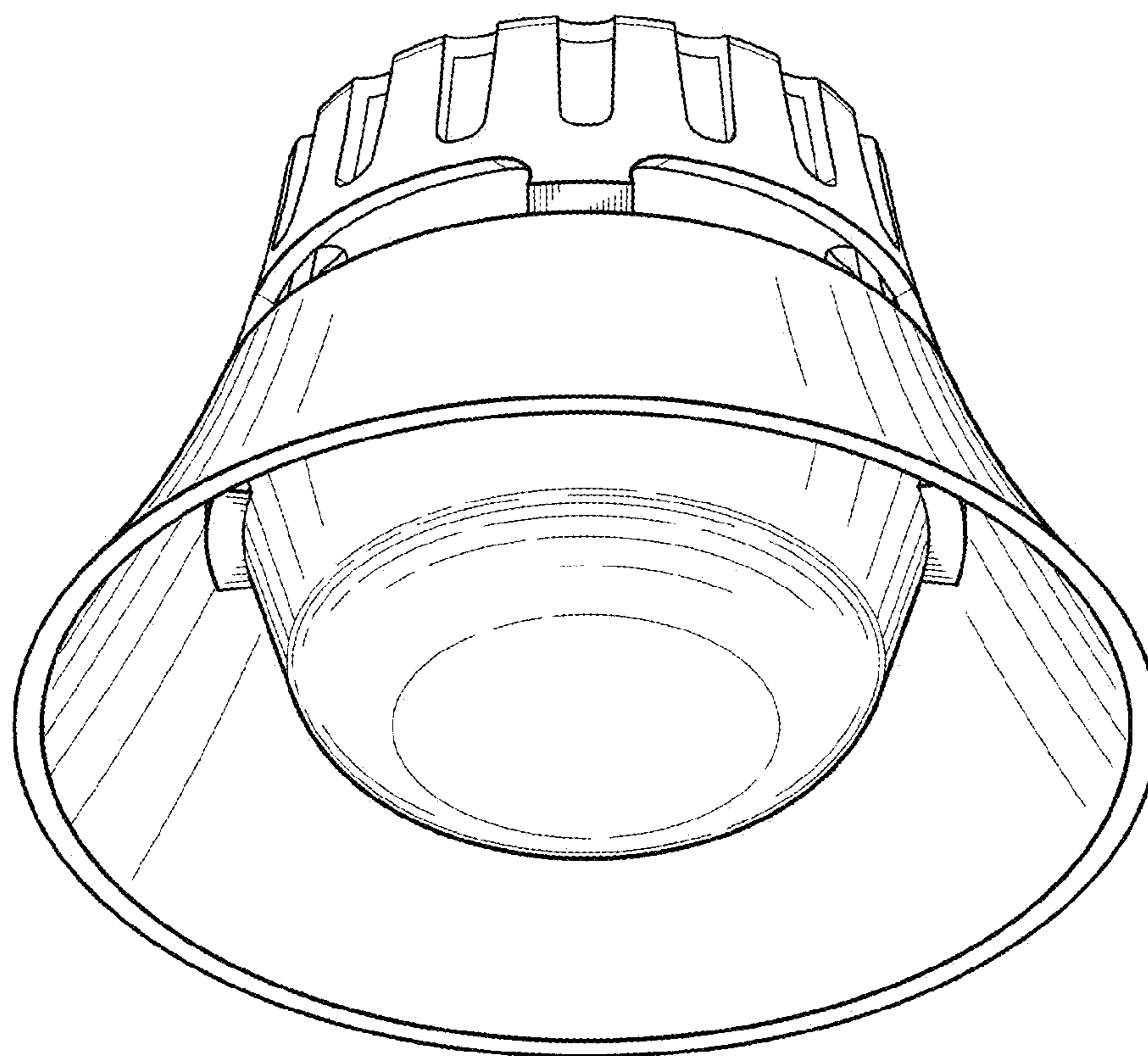


Fig. 2.

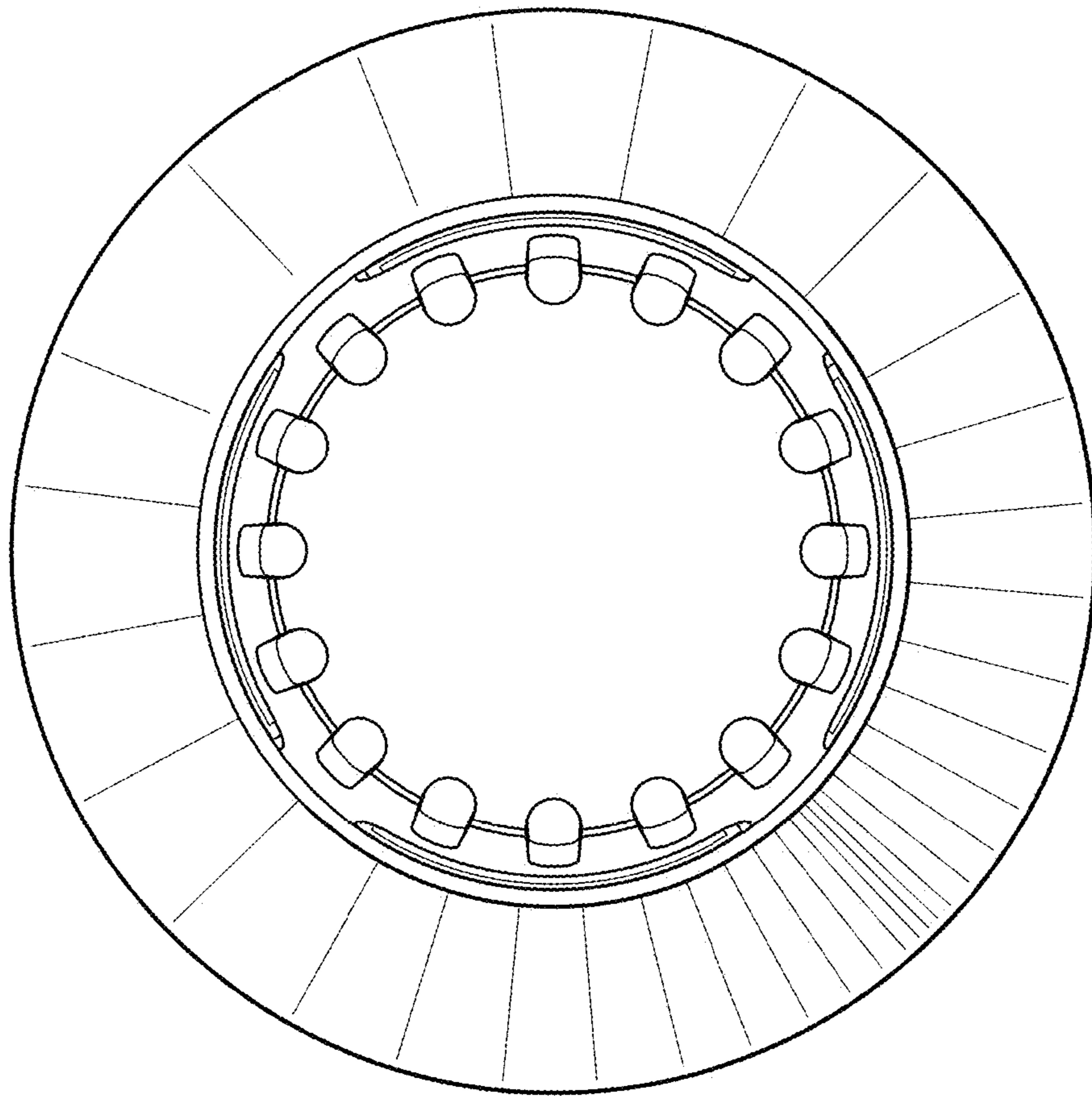


Fig. 3.

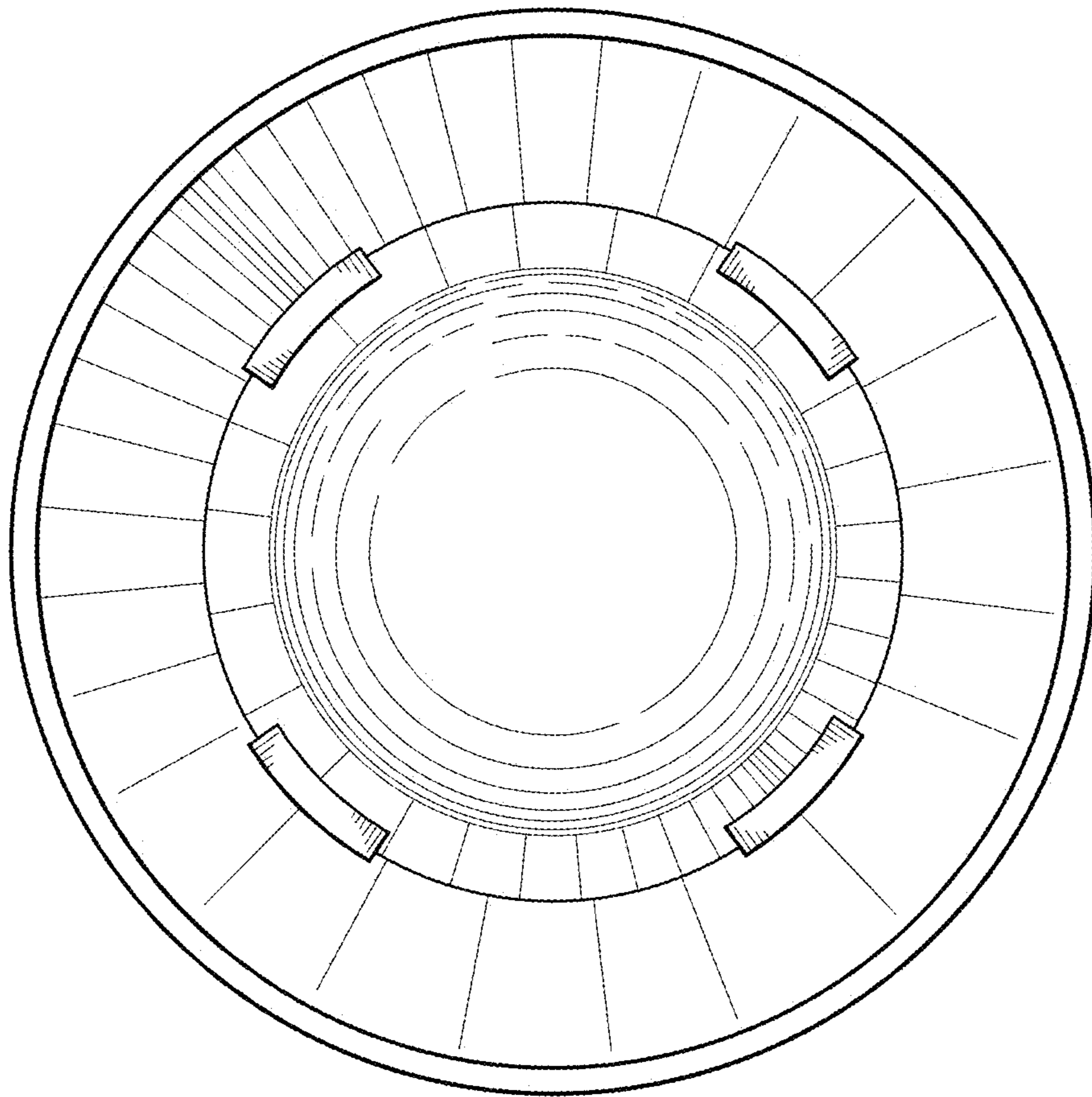


Fig. 4.

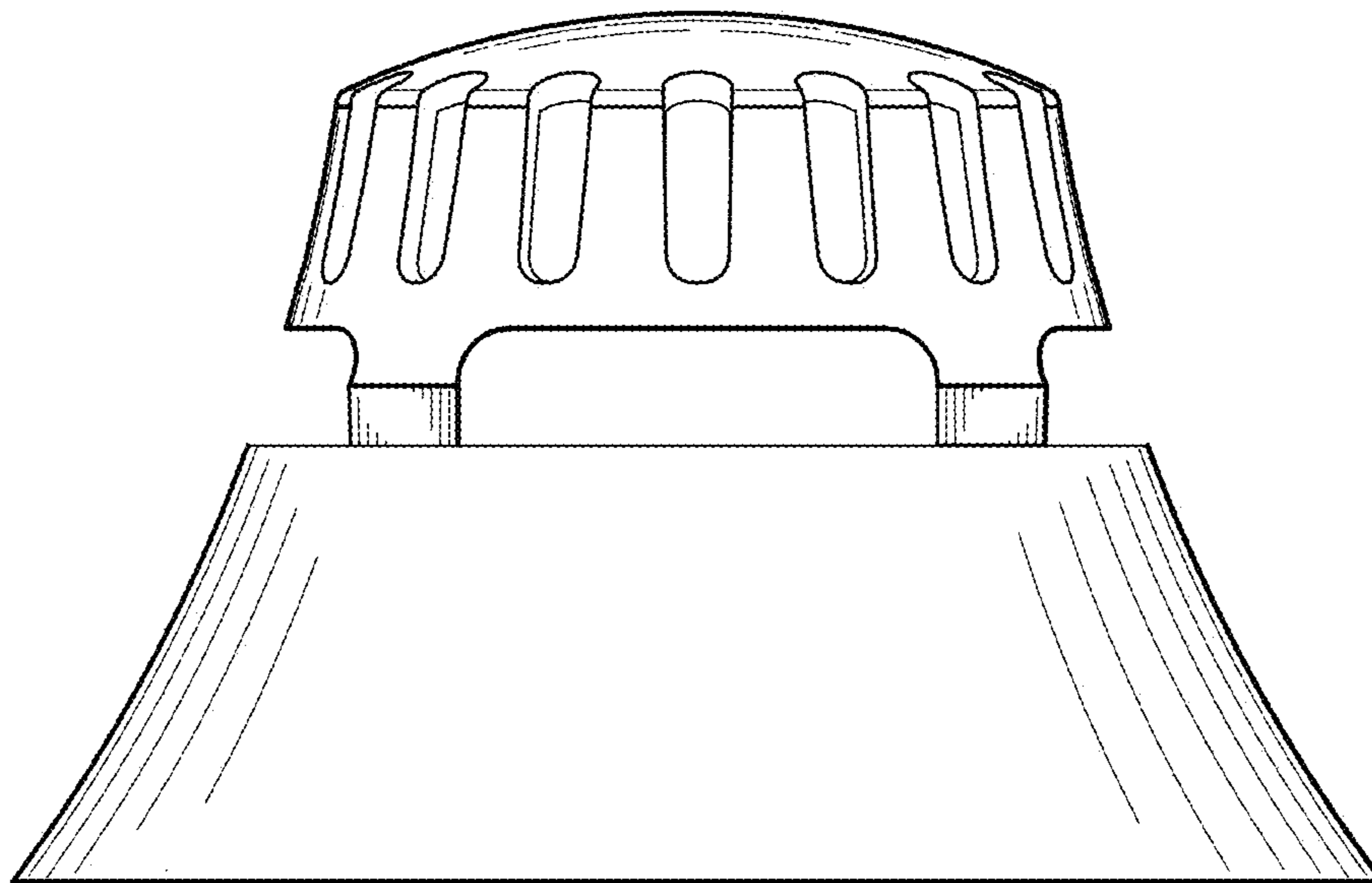


Fig. 5.