



US00D725223S

(12) **United States Design Patent**
Heidkamp

(10) **Patent No.:** **US D725,223 S**
(45) **Date of Patent:** **** Mar. 24, 2015**

- (54) **FRONT SIGHT PICATINNY RAIL**
- (71) Applicant: **Bret Heidkamp**, Bozeman, MT (US)
- (72) Inventor: **Bret Heidkamp**, Bozeman, MT (US)
- (**) Term: **14 Years**
- (21) Appl. No.: **29/470,013**
- (22) Filed: **Oct. 16, 2013**
- (51) **LOC (10) Cl.** **22-01**
- (52) **U.S. Cl.**
USPC **D22/109**
- (58) **Field of Classification Search**
CPC F41G 1/00; F41G 1/01; F41G 1/02;
F41G 1/06; F41G 1/065; F41G 1/08; F41G
1/10; F41G 1/12; F41G 1/14; F41G 1/30;
F41G 1/32; F41G 1/38; F41G 1/40; F41G
1/42; F41G 1/44; F41G 1/46; F41G 1/383;
F41G 1/387; F41G 1/393; F41G 3/00; F41G
3/005; F41G 3/02; F41G 3/04; F41G 3/06;
F41G 3/14; F41G 11/002; F41G 11/003;
F41G 11/004; F41G 11/005
USPC D22/108–109; 89/111–133; 359/399,
359/823, 744; 42/104, 105, 111–113, 116,
42/120, 124–126, 127–129, 141–148,
42/133–140; 33/227, 229
See application file for complete search history.

(56) **References Cited**

U.S. PATENT DOCUMENTS

8,468,733	B2 *	6/2013	Deros	42/90
8,695,267	B2 *	4/2014	Houde-Walter	42/146
8,763,299	B2 *	7/2014	Clifton et al.	42/125
8,783,158	B2 *	7/2014	Kerbrat et al.	89/168
8,806,799	B1 *	8/2014	Gordon	42/130
8,826,575	B2 *	9/2014	Ufer et al.	42/1.03
2012/0167438	A1 *	7/2012	Daniel et al.	42/90
2012/0266514	A1 *	10/2012	Michal et al.	42/90
2012/0285067	A1 *	11/2012	Kitzen	42/90
2013/0219767	A1 *	8/2013	Peterson et al.	42/113
2014/0298703	A1 *	10/2014	Gale et al.	42/71.02

* cited by examiner

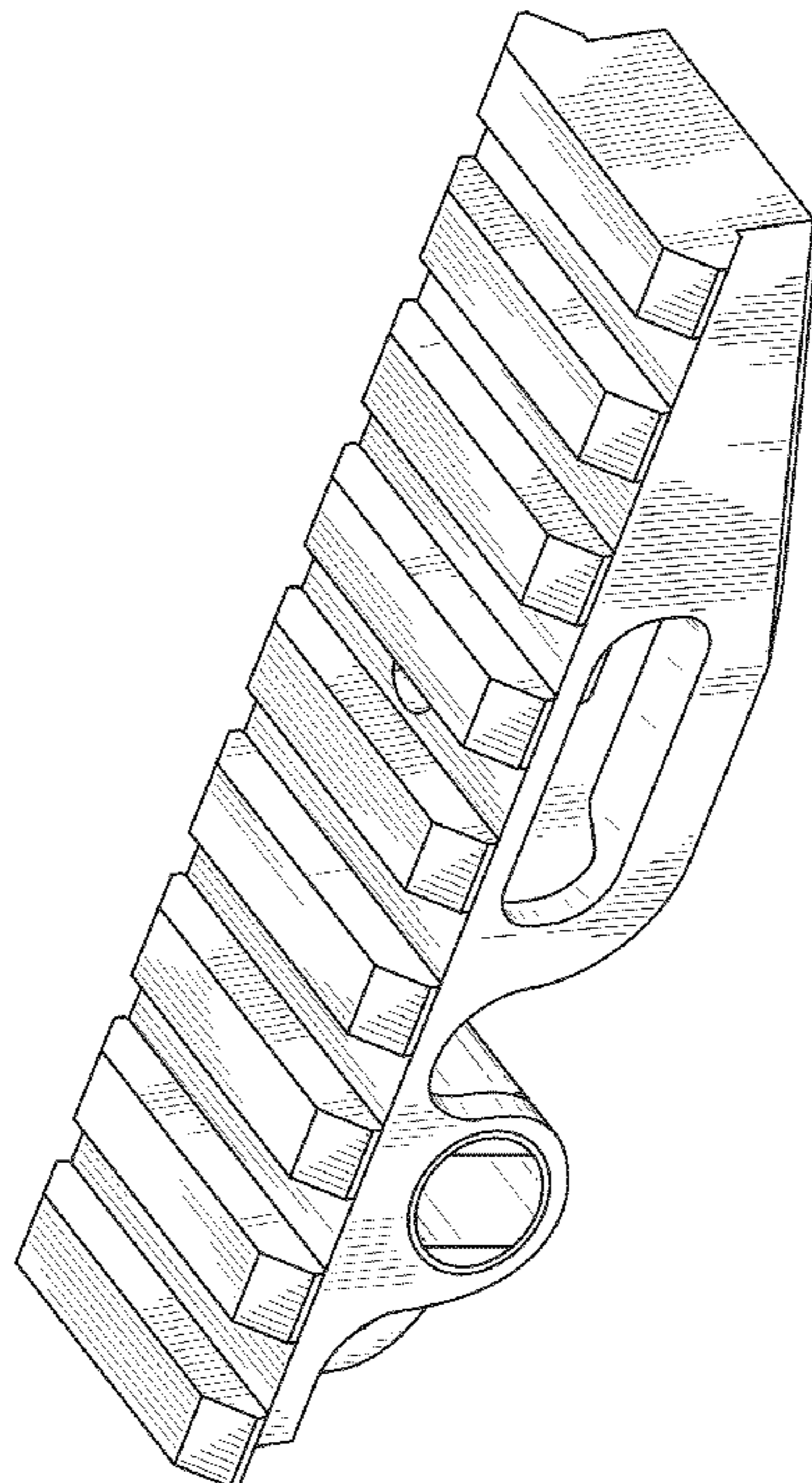
Primary Examiner — Michael A Pratt
(74) *Attorney, Agent, or Firm* — QuickPatents; Kevin Prince

(57) **CLAIM**
I claim the ornamental design for a front sight picatinny rail, as shown and described.

DESCRIPTION

FIG. 1 is a top perspective view of a front sight picatinny rail, showing my new design;
FIG. 2 is a top plan view thereof;
FIG. 3 is a bottom plan view thereof;
FIG. 4 is a right-side elevational view thereof;
FIG. 5 is a left-side elevational view thereof;
FIG. 6 is a front elevational view thereof;
FIG. 7 is a rear elevational view thereof; and,
FIG. 8 is a bottom perspective view thereof.

1 Claim, 4 Drawing Sheets



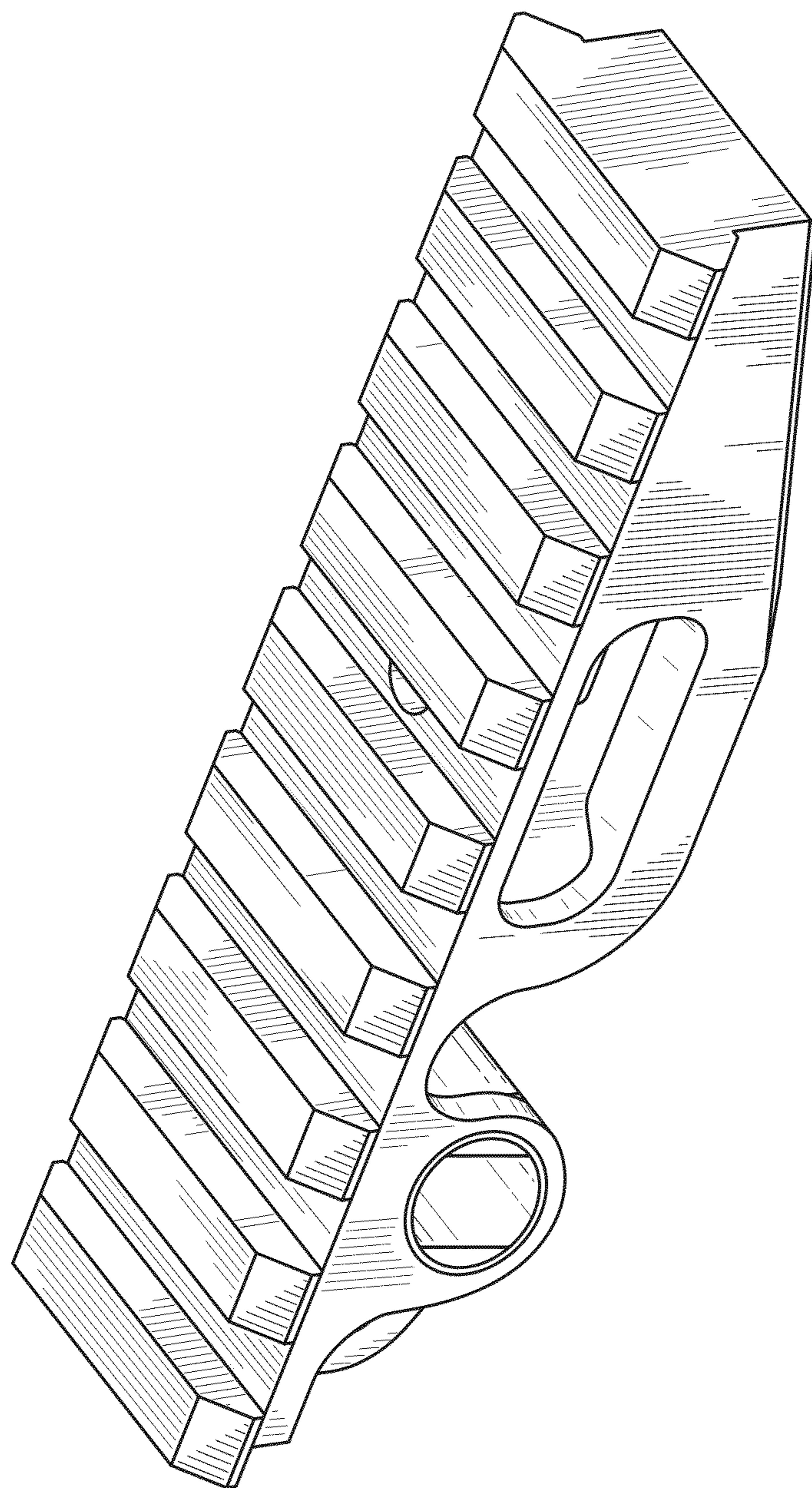


FIG. 1

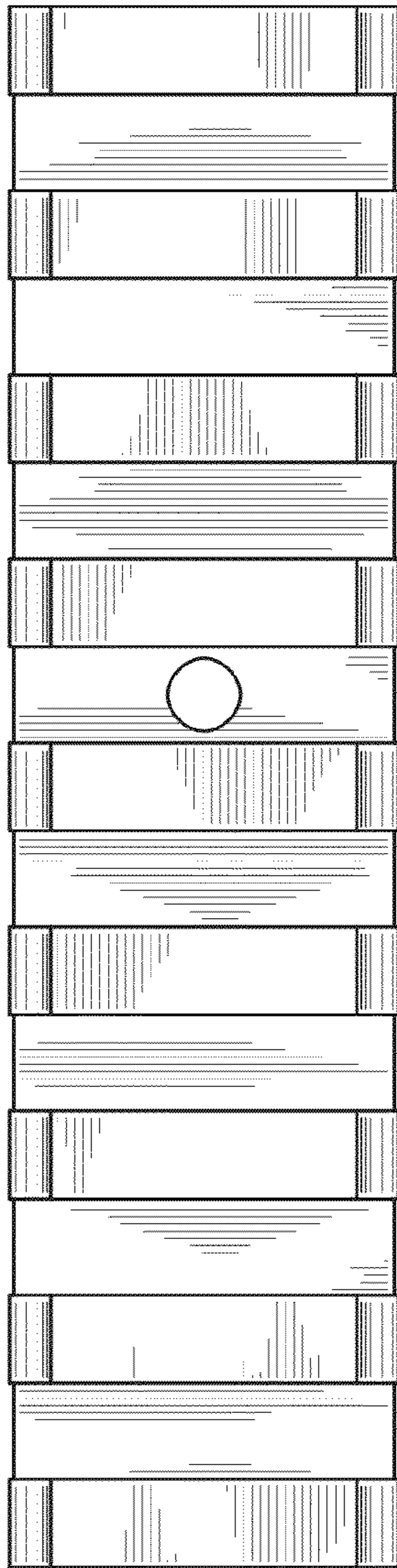


FIG. 2

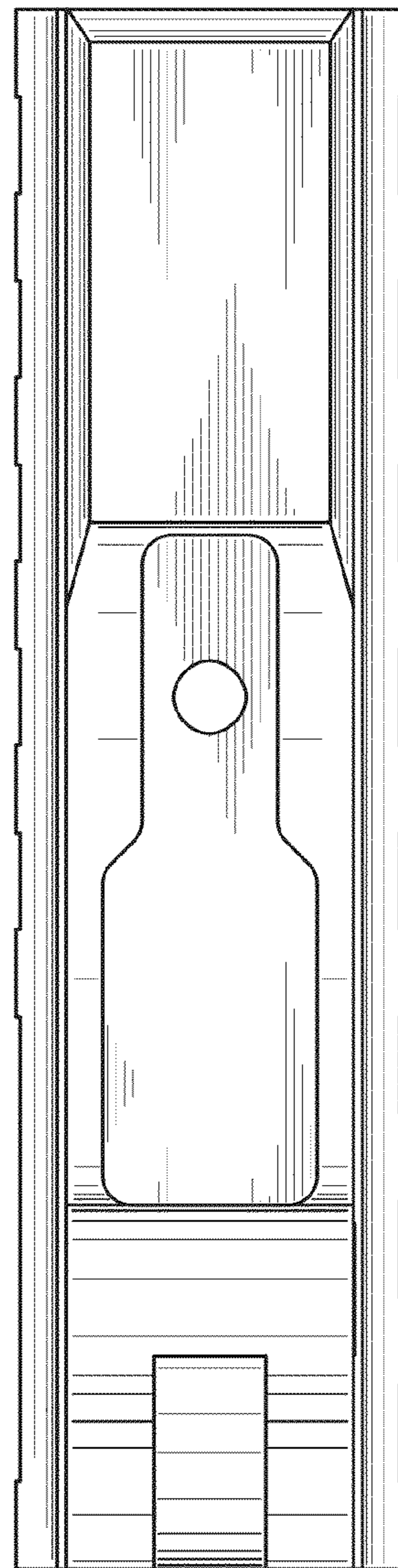


FIG. 3

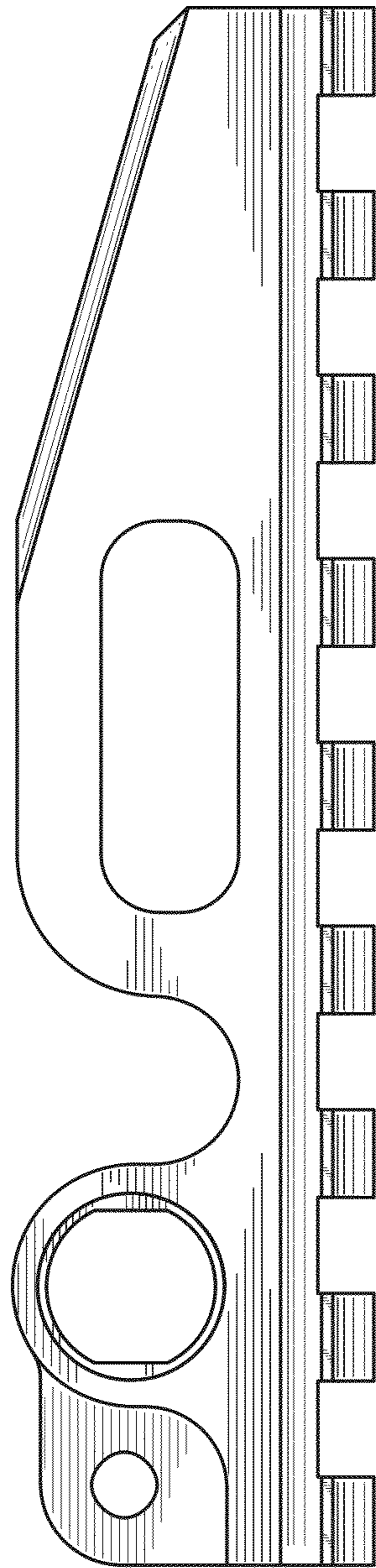


FIG. 4

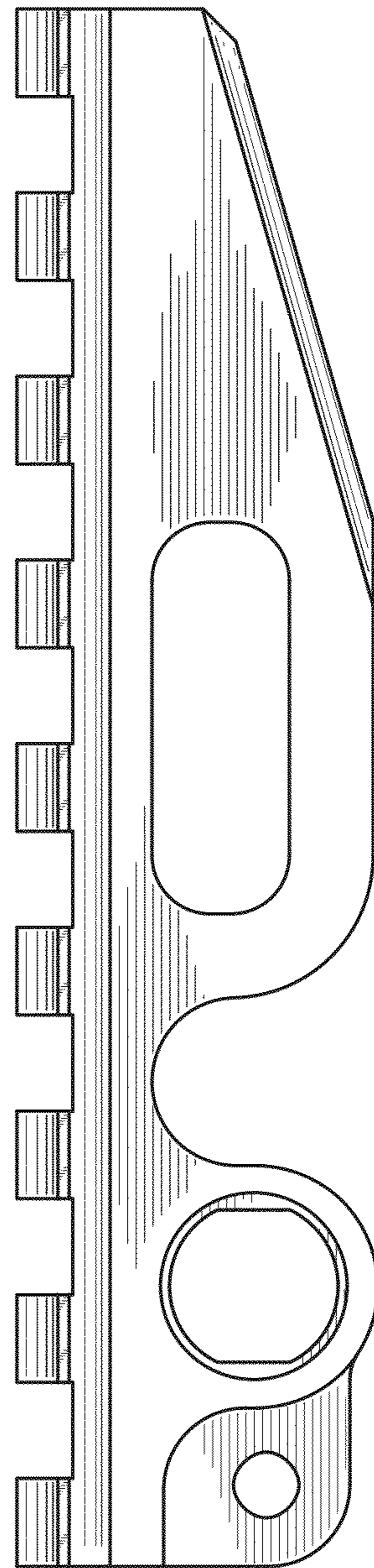


FIG. 5

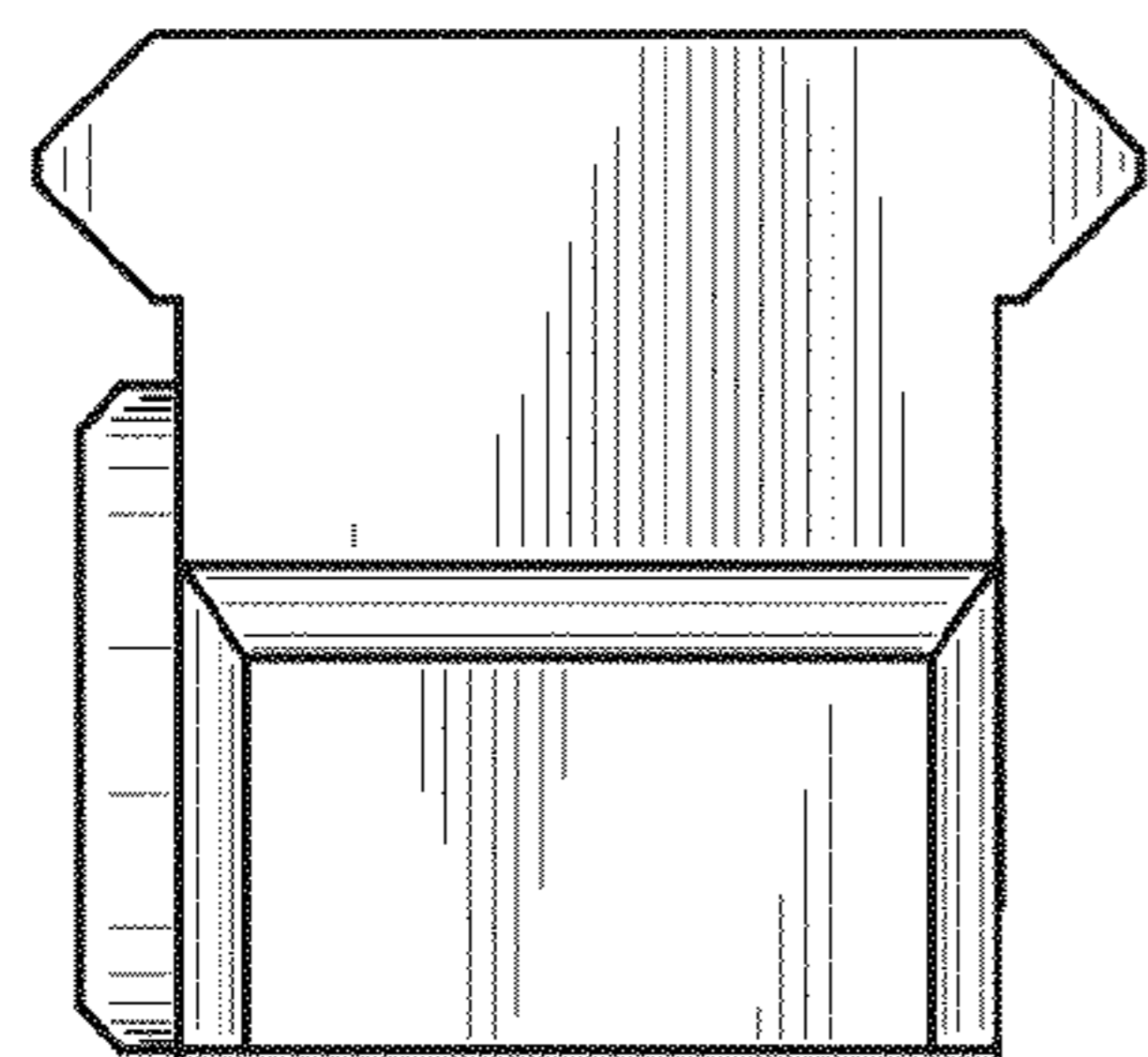


FIG. 6

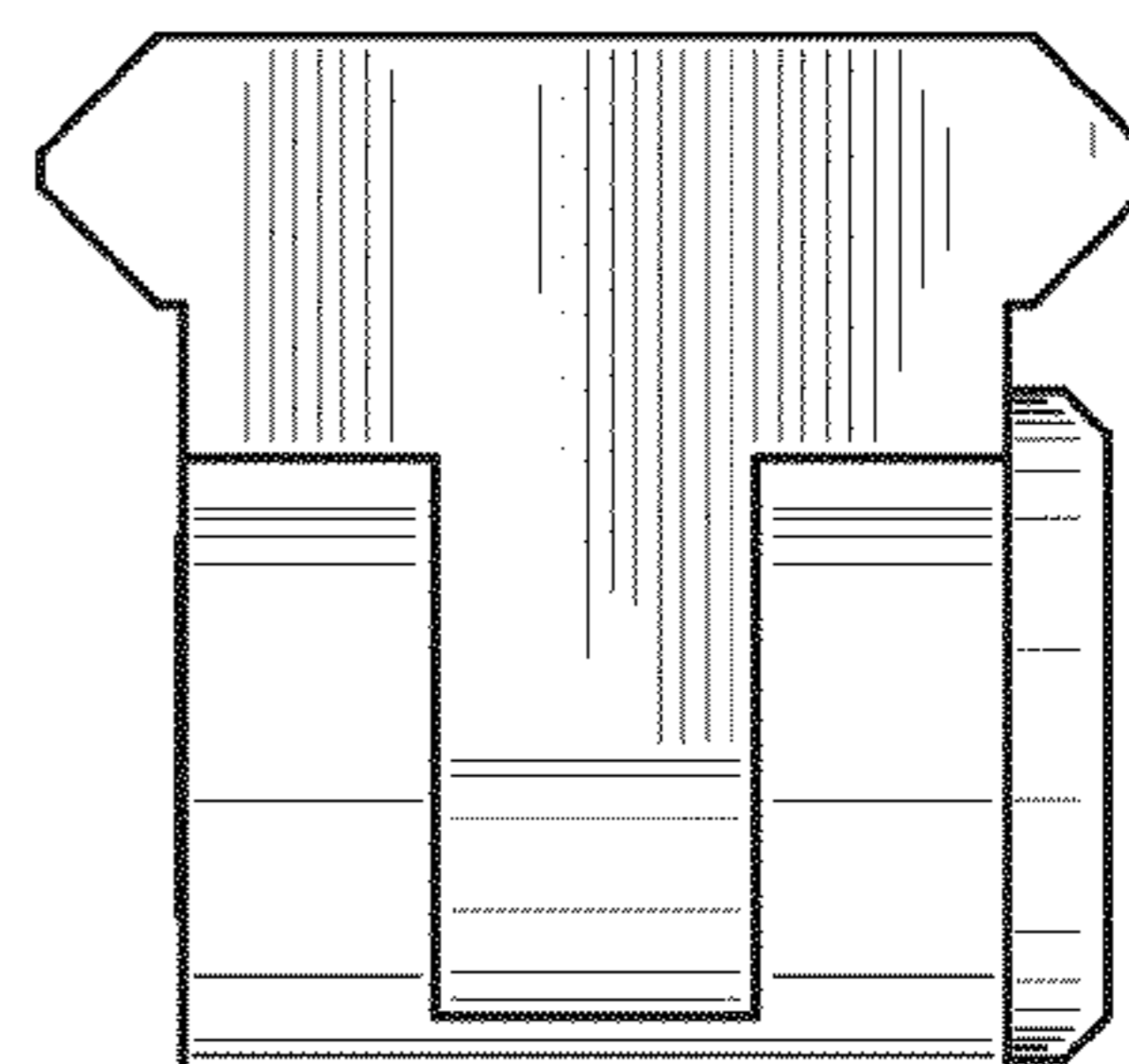


FIG. 7

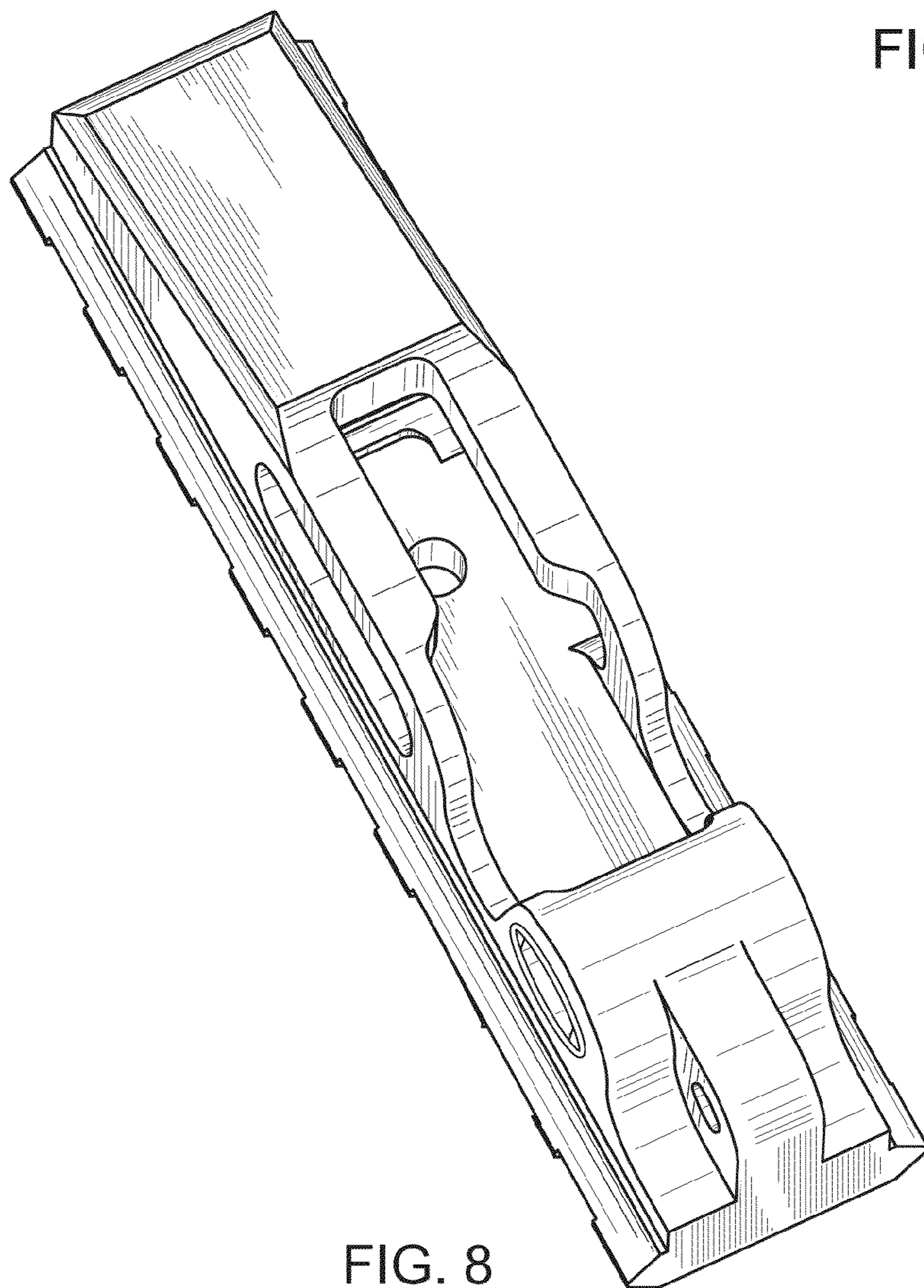


FIG. 8