



US00D725221S

(12) **United States Design Patent**
Geissele

(10) **Patent No.:** **US D725,221 S**
(45) **Date of Patent:** **** Mar. 24, 2015**

(54) **SLING SWIVEL ASSEMBLY FOR A FIREARM**

(71) Applicant: **William H. Geissele**, Lower Gwynedd,
PA (US)

(72) Inventor: **William H. Geissele**, Lower Gwynedd,
PA (US)

(73) Assignee: **WHG Properties, LLC**, North Wales,
PA (US)

(**) Term: **14 Years**

(21) Appl. No.: **29/472,090**

(22) Filed: **Nov. 8, 2013**

(51) **LOC (10) Cl.** **22-01**

(52) **U.S. Cl.**
USPC **D22/108**

(58) **Field of Classification Search**
CPC .. F41C 33/02; F41C 33/0209; F41C 33/0236;
F41C 33/0245; F41C 33/0254; F41C 33/0263;
F41C 33/0272; F41C 33/0281; F41C 33/06;
F41C 23/02
USPC D3/214–215, 221, 262, 327–328;
224/150; D22/108; D29/101.1, 101.2;
42/85, 94

See application file for complete search history.

(56) **References Cited**

U.S. PATENT DOCUMENTS

D444,201 S * 6/2001 Norris, Sr. D22/108
D455,191 S * 4/2002 Norris, Sr. D22/108

D636,835 S * 4/2011 Fitzpatrick et al. D22/108
D683,262 S * 5/2013 Fitzpatrick et al. D11/218
D702,311 S * 4/2014 Fitzpatrick et al. D22/108
2014/0215767 A1* 8/2014 Ward et al. 24/265 AL

* cited by examiner

Primary Examiner — Michael A Pratt

(74) *Attorney, Agent, or Firm* — Merchant & Gould P.C.

(57) **CLAIM**

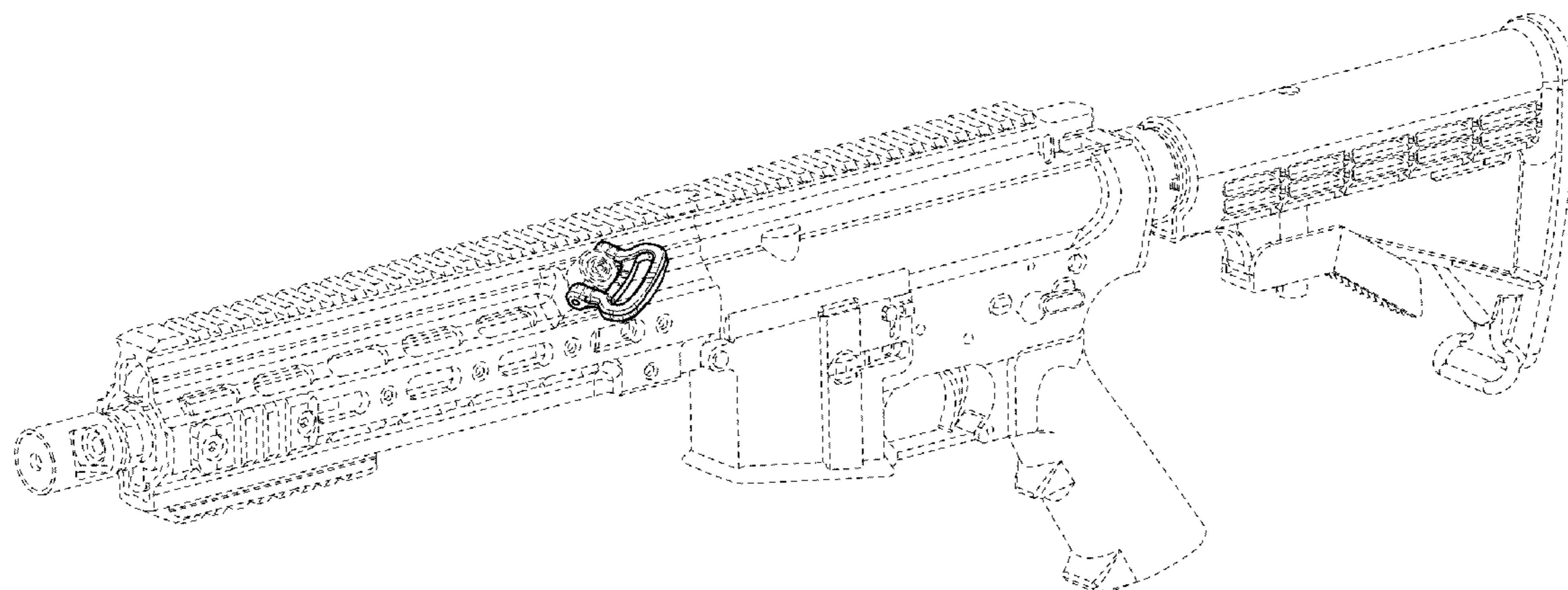
The ornamental design for a sling swivel assembly for a
firearm, as shown and described.

DESCRIPTION

FIG. 1 is an isometric view of the sling swivel assembly for a
firearm;
FIG. 2 is a front elevation view of the sling swivel assembly
for a firearm of FIG. 1;
FIG. 3 is a rear elevation view of the sling swivel assembly for
a firearm of FIG. 1;
FIG. 4 is a right side elevation view of the sling swivel
assembly for a firearm of FIG. 1;
FIG. 5 is a left side elevation view of the sling swivel assem-
bly for a firearm of FIG. 1;
FIG. 6 is a top view of the sling swivel assembly for a firearm
of FIG. 1; and,
FIG. 7 is a bottom view of the sling swivel assembly for a
firearm of FIG. 1.

The broken lines in the Figures are for illustrative purposes
only and form no part of the claimed design.

1 Claim, 4 Drawing Sheets



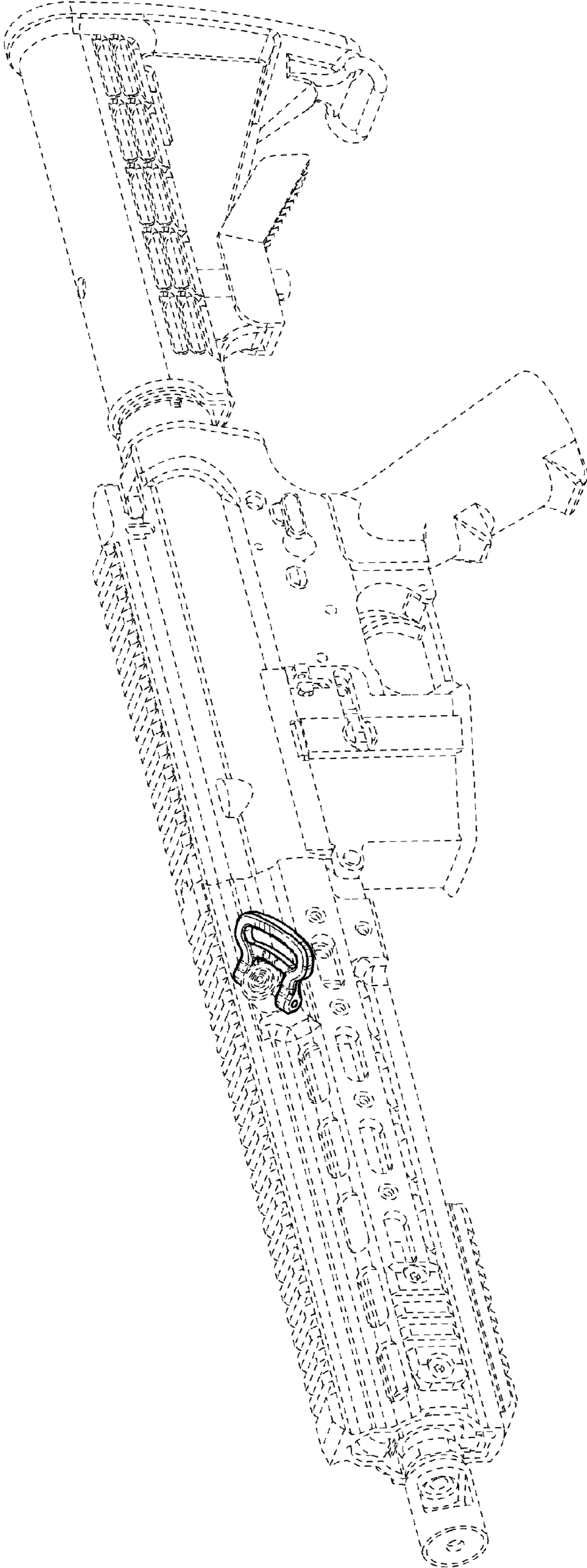


FIG. 1

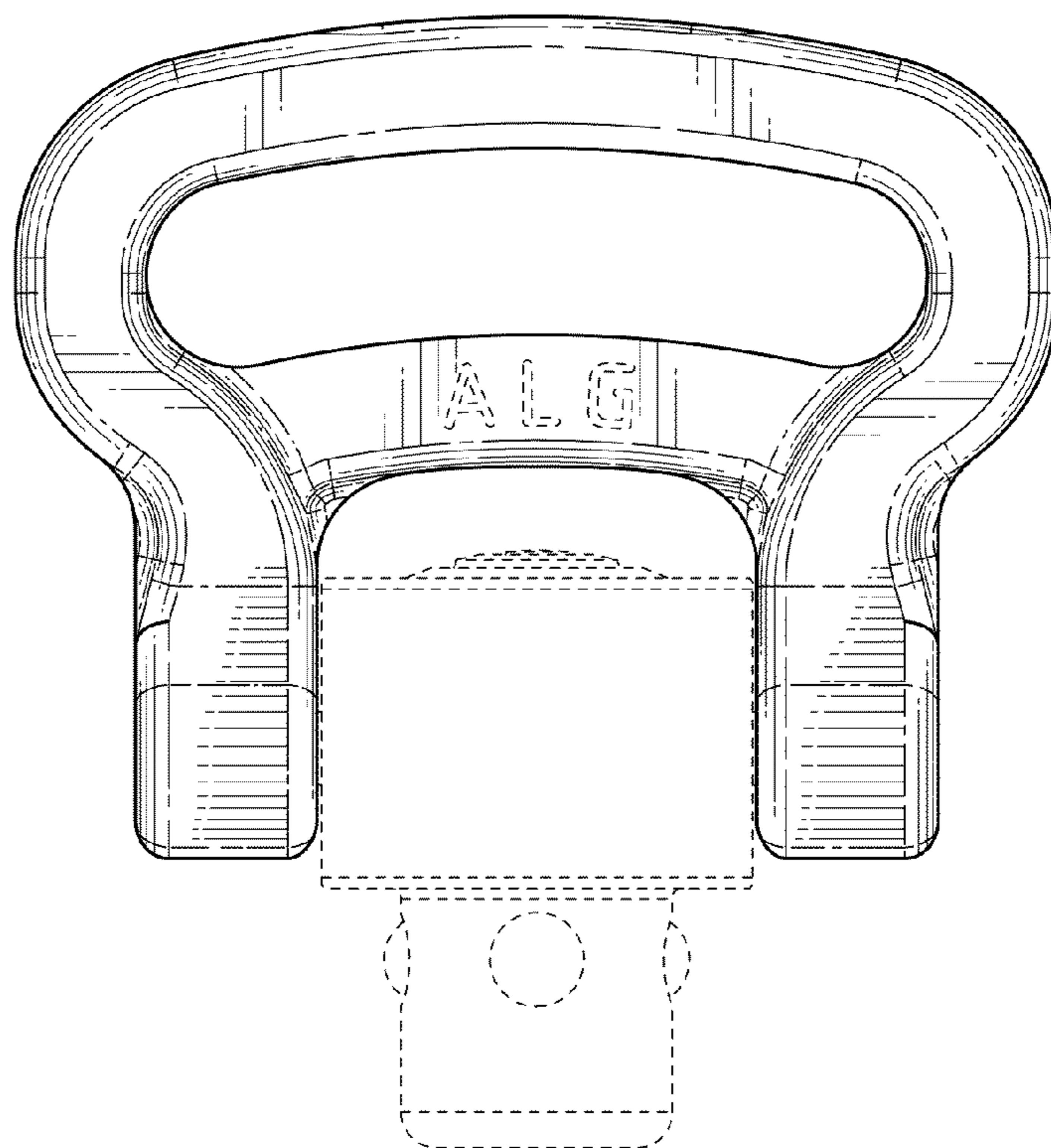


FIG. 2

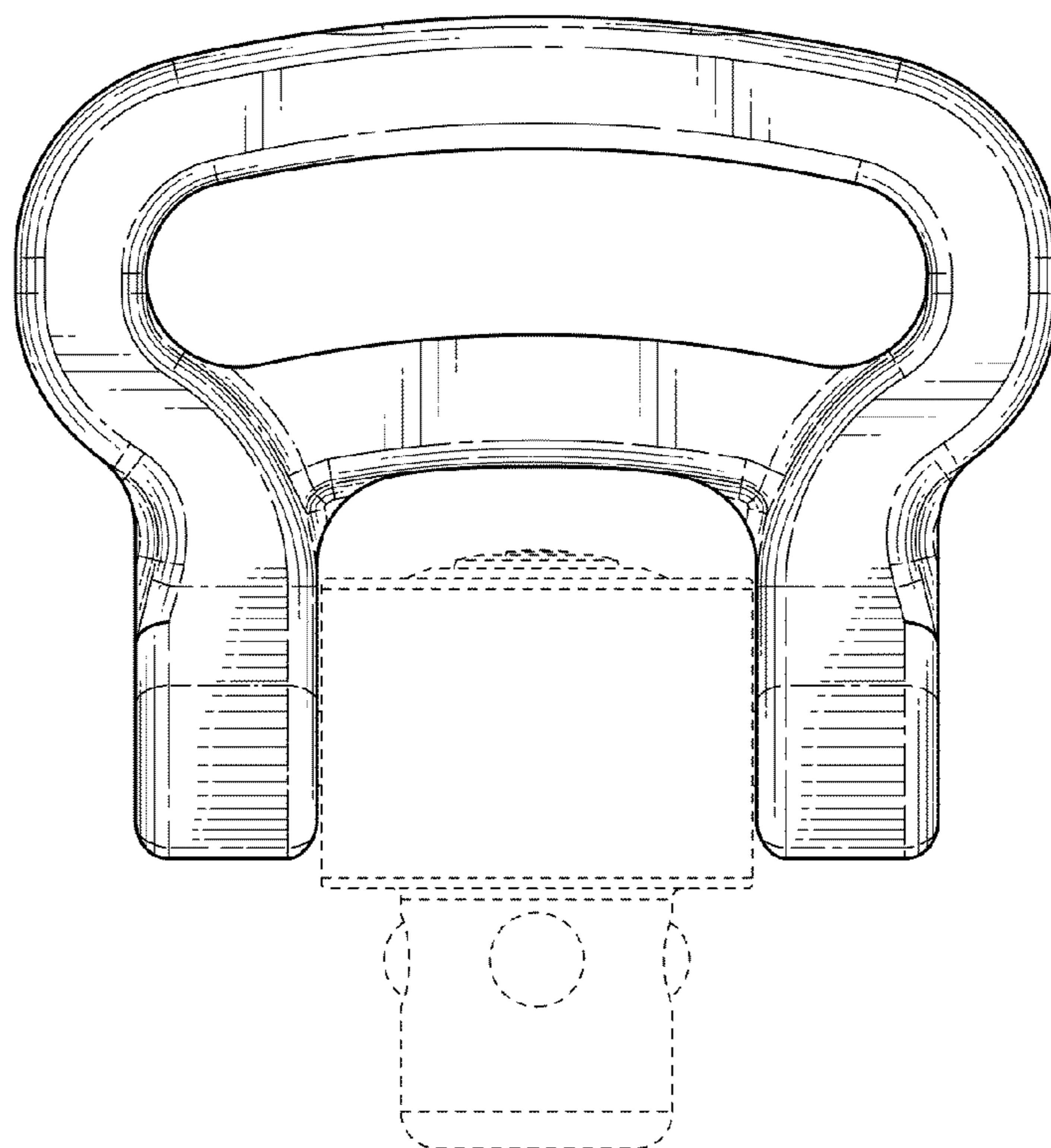


FIG. 3

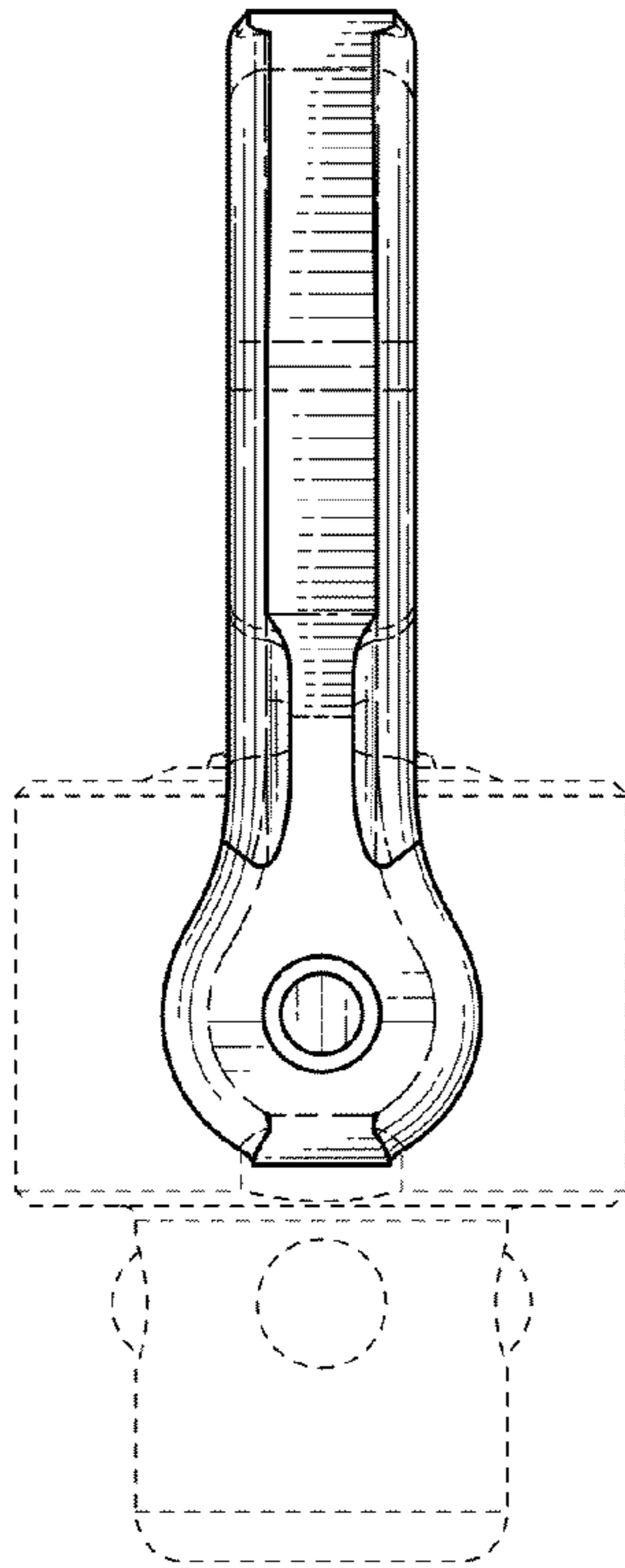


FIG. 4

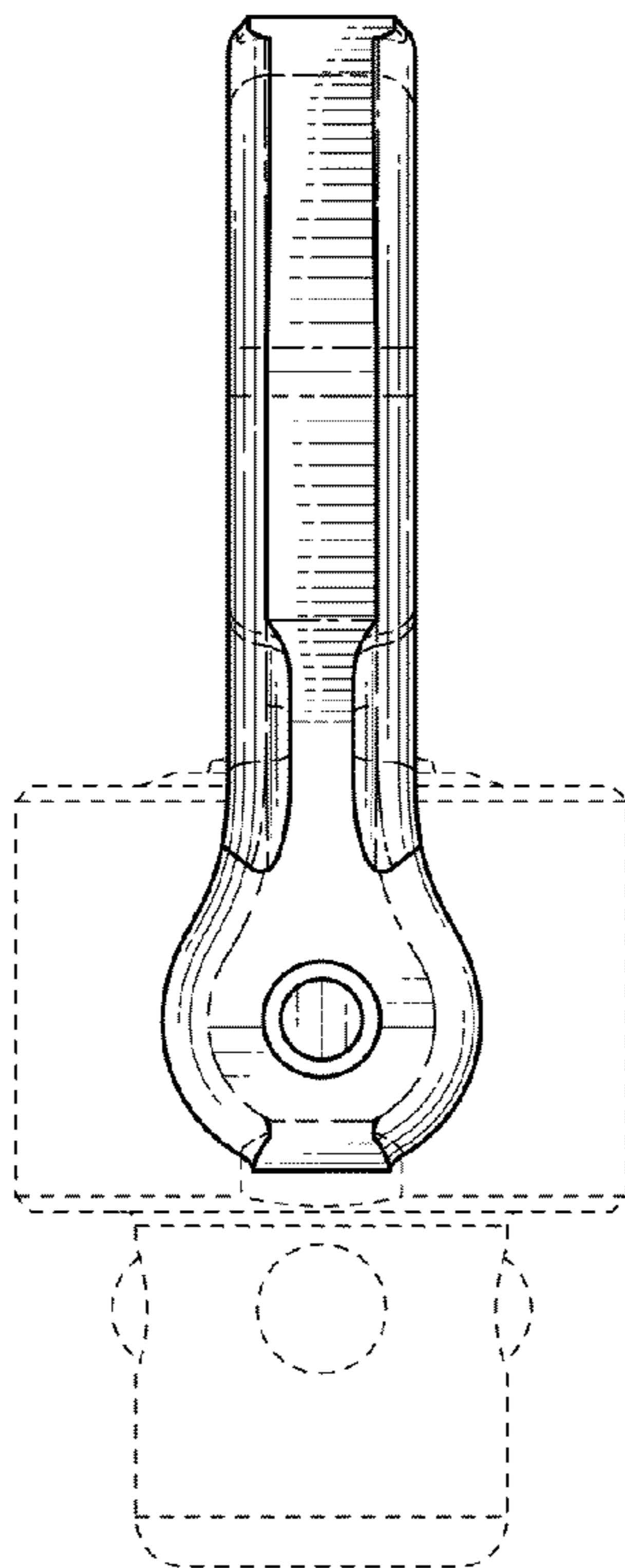


FIG. 5

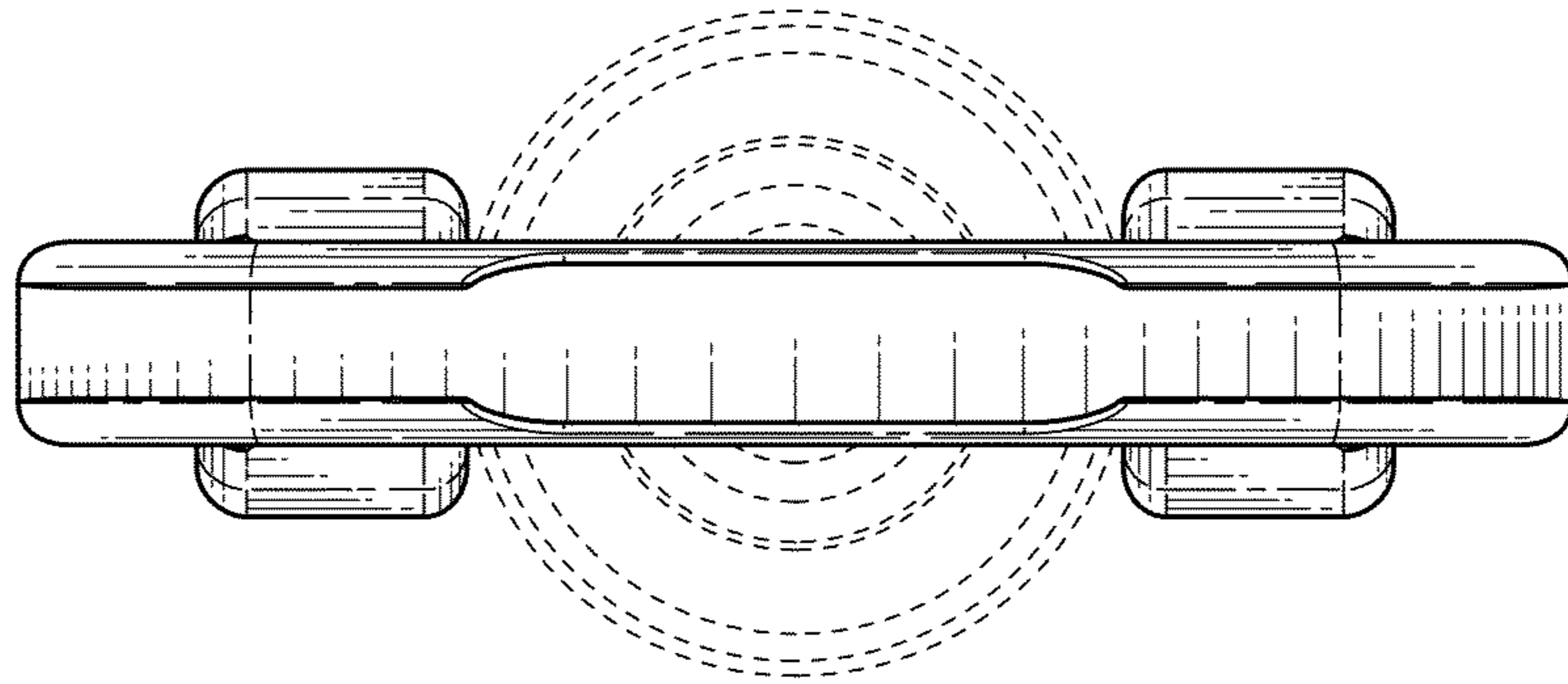


FIG. 6

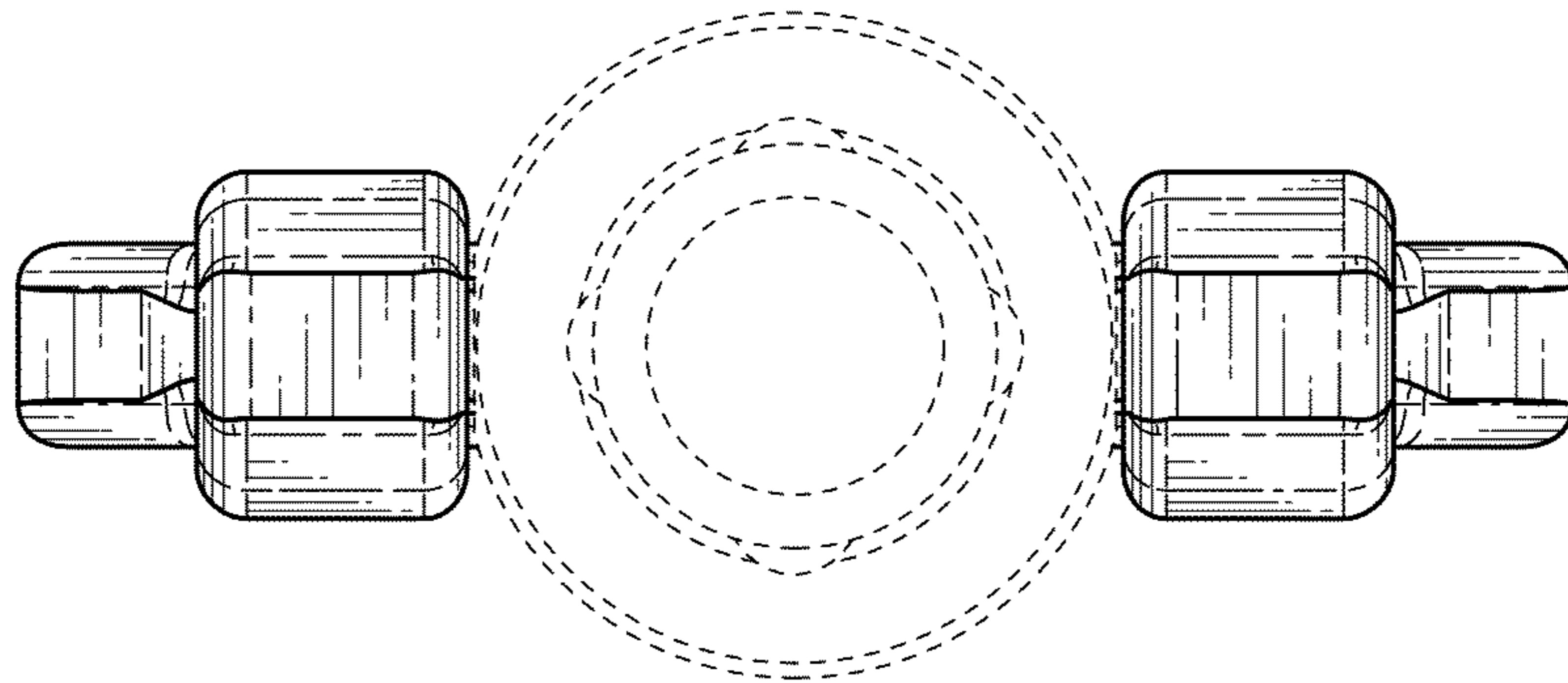


FIG. 7