



US00D725220S

(12) **United States Design Patent**
Hirt et al.

(10) **Patent No.:** **US D725,220 S**
(45) **Date of Patent:** **** Mar. 24, 2015**

- (54) **HAND GUARD FOR SUBMACHINE GUN**
- (71) Applicant: **Sig Sauer, Inc.**, Newington, NH (US)
- (72) Inventors: **Robert Hirt**, Exeter, NH (US); **Bryan Charles Dustin**, Strafford, NH (US)
- (73) Assignee: **Sig Sauer, Inc.**, Newington, NH (US)
- (**) Term: **14 Years**
- (21) Appl. No.: **29/470,422**
- (22) Filed: **Oct. 21, 2013**
- (51) **LOC (10) Cl.** **22-01**
- (52) **U.S. Cl.**
USPC **D22/108**
- (58) **Field of Classification Search**
CPC F41C 23/10; F41C 23/14; F41C 23/16;
F41C 23/18
USPC D22/108; 362/109–114; 42/90, 94, 114,
42/117, 124–127, 131, 146
See application file for complete search history.

7,966,761	B1	6/2011	Kuczynko et al.
8,061,072	B1	11/2011	Crose
8,151,504	B1	4/2012	Aiston
8,245,429	B2	8/2012	Kuczynko et al.
D671,184	S	11/2012	Larson et al.
D674,859	S *	1/2013	Robbins et al. D22/108
8,443,538	B1	5/2013	Moody
8,522,467	B1 *	9/2013	Christensen et al. 42/71.01
D692,517	S	10/2013	Faifer
8,631,601	B2	1/2014	Langevin et al.
8,667,882	B1	3/2014	Larson et al.
8,726,558	B1 *	5/2014	Nason 42/71.01
8,769,855	B2	7/2014	Law
D714,413	S	9/2014	Kerbrat et al.
8,844,185	B2	9/2014	Jarboe
D716,403	S	10/2014	Burt et al.
2009/0282718	A1	11/2009	Bartley
2010/0186276	A1	7/2010	Herring
2011/0283581	A1	11/2011	Freed
2012/0017482	A1	1/2012	Chvala
2012/0180354	A1	7/2012	Sullivan et al.

(Continued)

Primary Examiner — Michael A Pratt
(74) *Attorney, Agent, or Firm* — Finch & Maloney PLLC

(57) **CLAIM**
The ornamental design for a hand guard for a submachine gun, as shown and described.

(56) **References Cited**

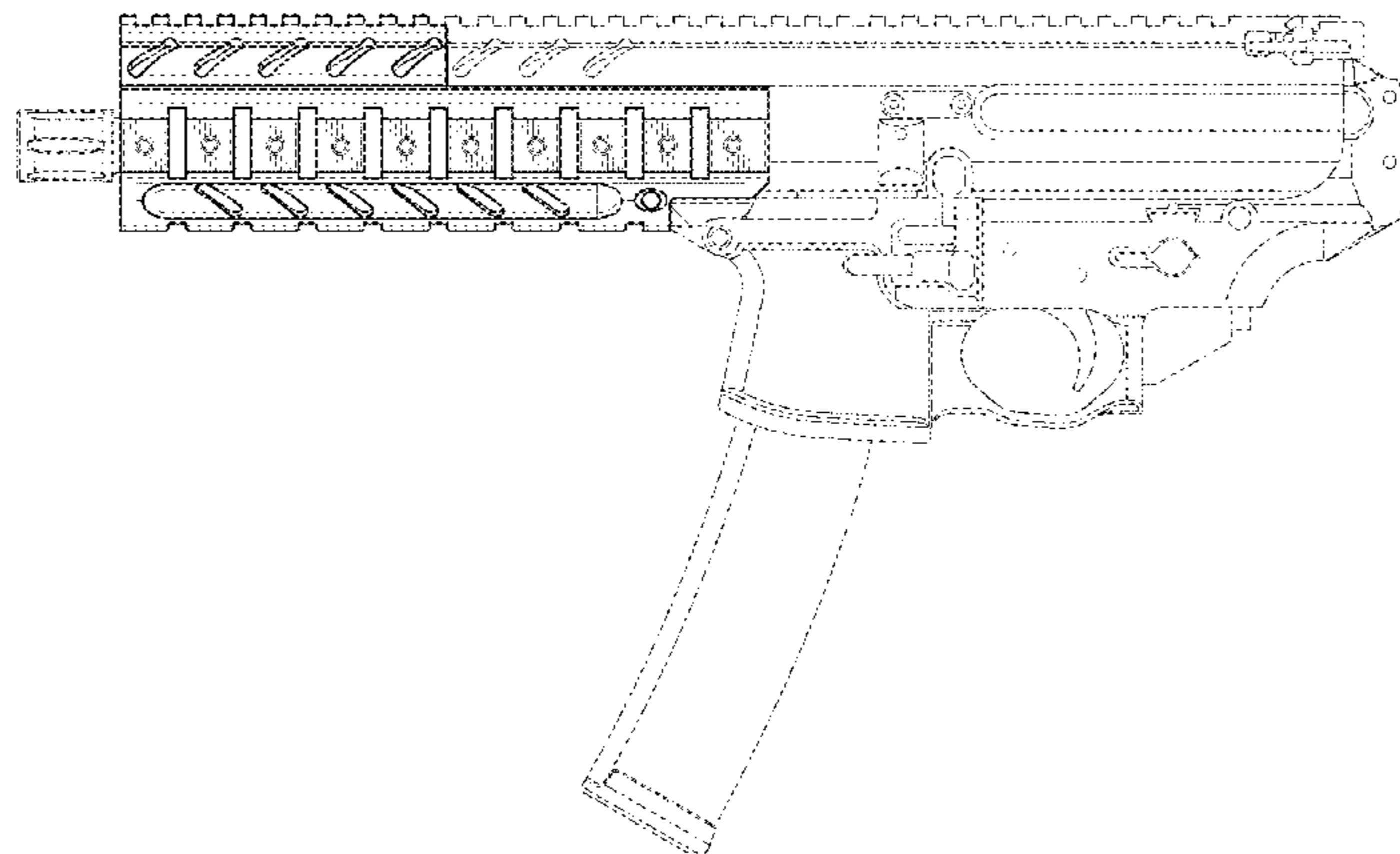
U.S. PATENT DOCUMENTS

2,424,194	A	7/1947	Sampson et al.
2,970,398	A	2/1961	Crouch
3,488,488	A	1/1970	Crouch
3,618,584	A	11/1971	Pigeon
4,512,236	A	4/1985	Thevis et al.
4,617,749	A	10/1986	Jurek
4,735,007	A	4/1988	Gal
D344,124	S	2/1994	Cupp
D410,988	S	6/1999	Hines
5,983,774	A	11/1999	Mihaita
6,839,998	B1	1/2005	Armstrong
D510,401	S	10/2005	Murello et al.
D600,310	S	9/2009	Fitzpatrick et al.
D606,155	S *	12/2009	Swan D22/108
D606,156	S *	12/2009	Swan D22/108
D636,044	S	4/2011	Larson et al.
D636,048	S	4/2011	Larson et al.

DESCRIPTION

FIG. 1 is a left elevation view of a hand guard for a submachine gun showing the design;
FIG. 2 is a right elevation view thereof;
FIG. 3 is a rear elevation view thereof;
FIG. 4 is a front elevation view thereof;
FIG. 5 is a top plan view thereof;
FIG. 6 is a bottom plan view thereof; and,
FIG. 7 is a front perspective view thereof.
Broken lines in the drawings are for the purpose of illustrating environmental structure and form no part of the claimed design.

1 Claim, 5 Drawing Sheets



US D725,220 S

Page 2

(56)

References Cited

U.S. PATENT DOCUMENTS

2013/0125442 A1	5/2013	Burress	
2014/0033590 A1*	2/2014	Gomez	42/75.02
2014/0075816 A1*	3/2014	Larson et al.	42/73
2014/0196346 A1	7/2014	Grimshaw et al.	
2014/0260946 A1*	9/2014	Gomez	89/191.01
2014/2060946	9/2014	Gomez	

* cited by examiner

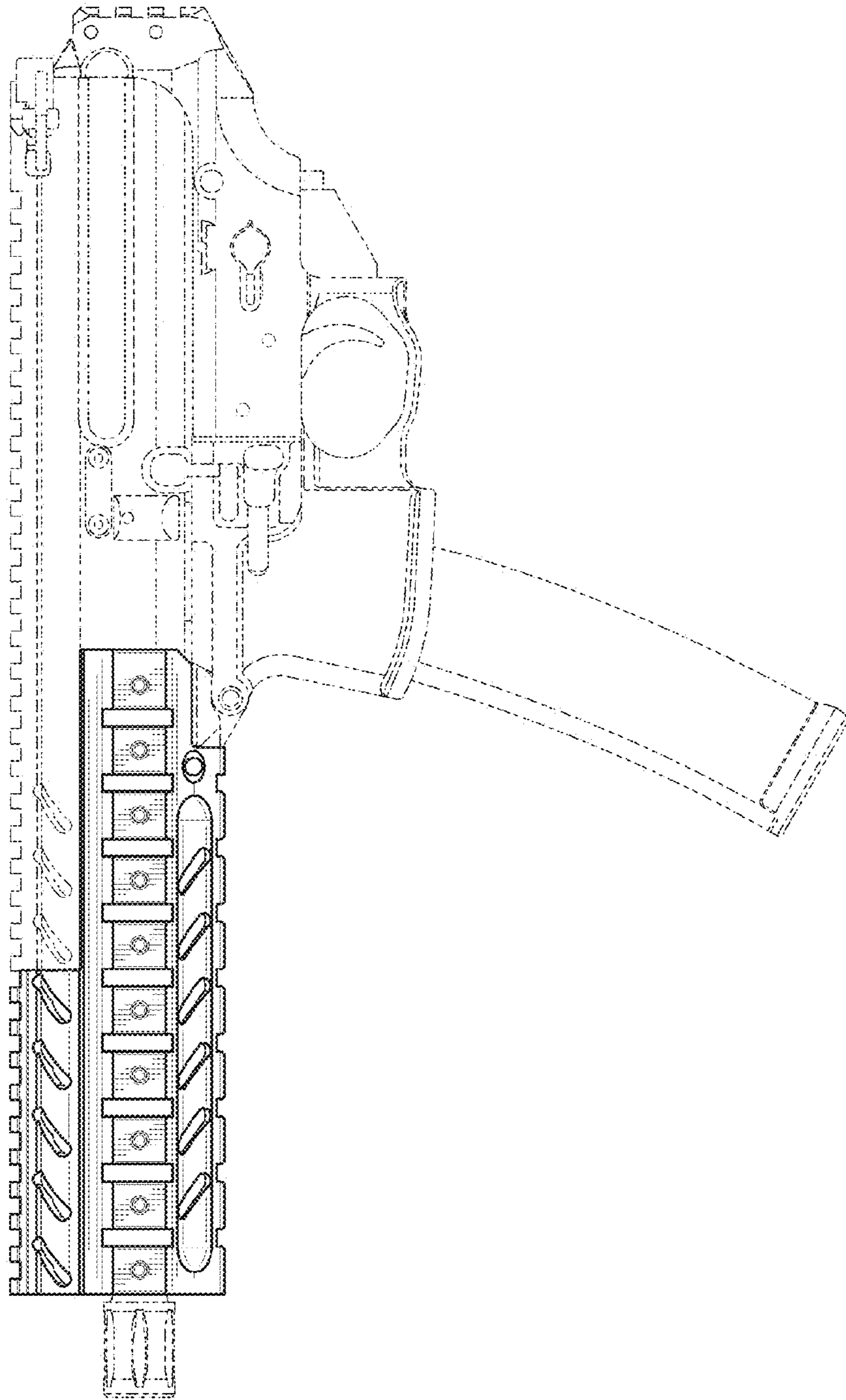


FIG. 1

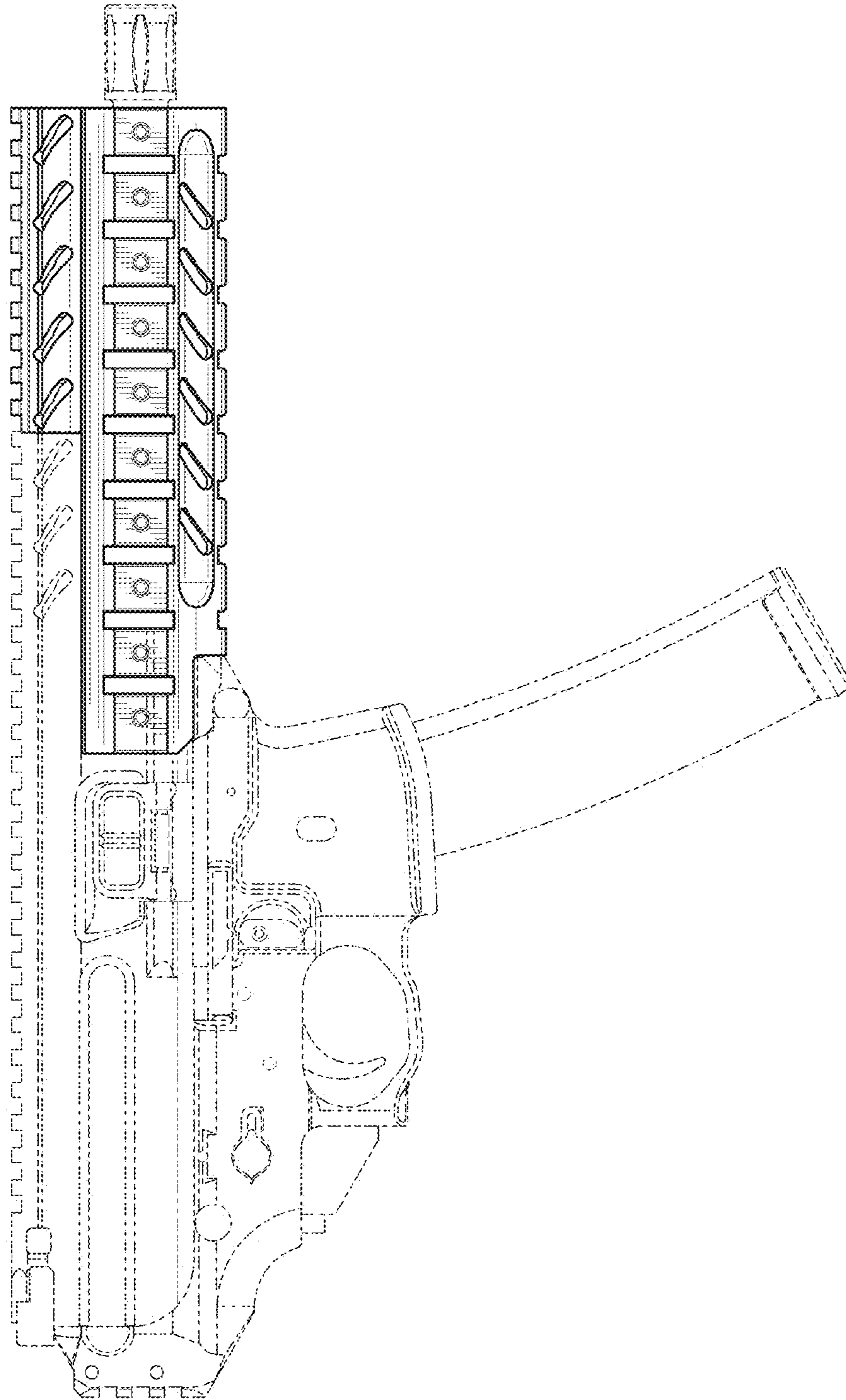


FIG. 2

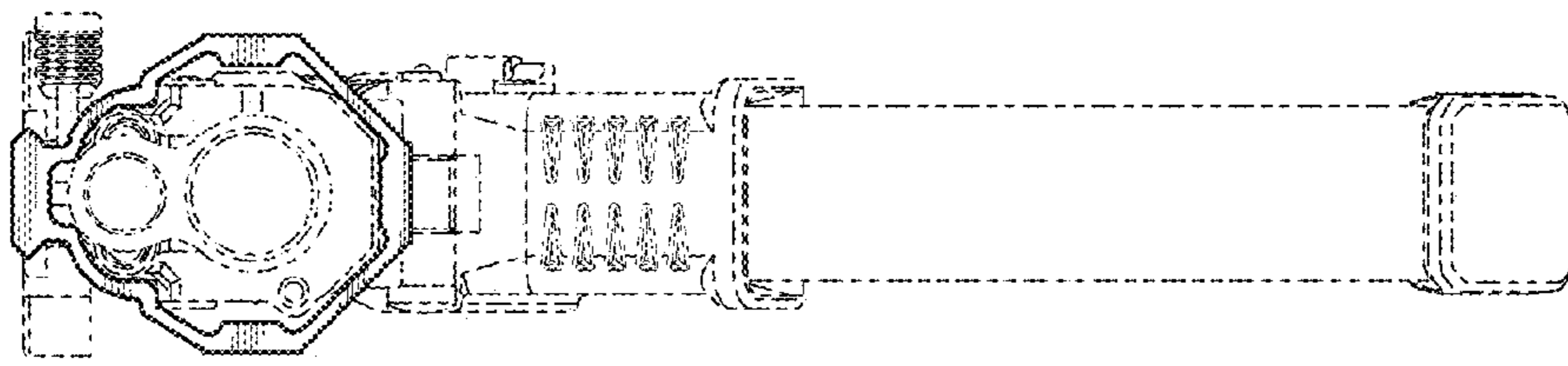


FIG. 4

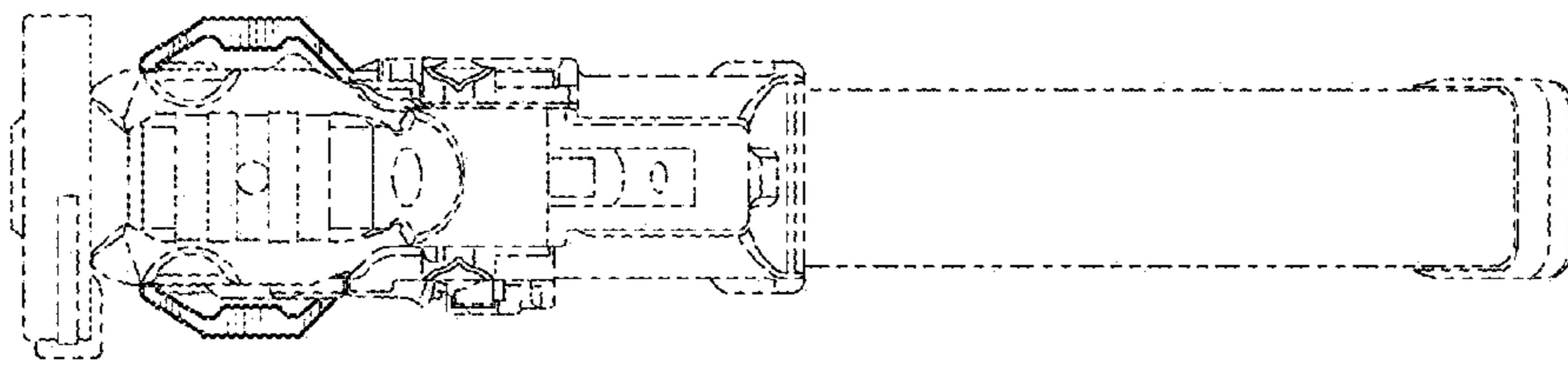


FIG. 3

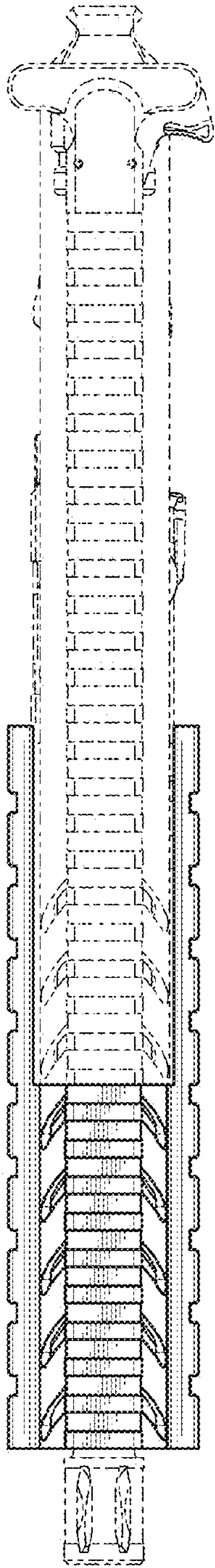


FIG. 5

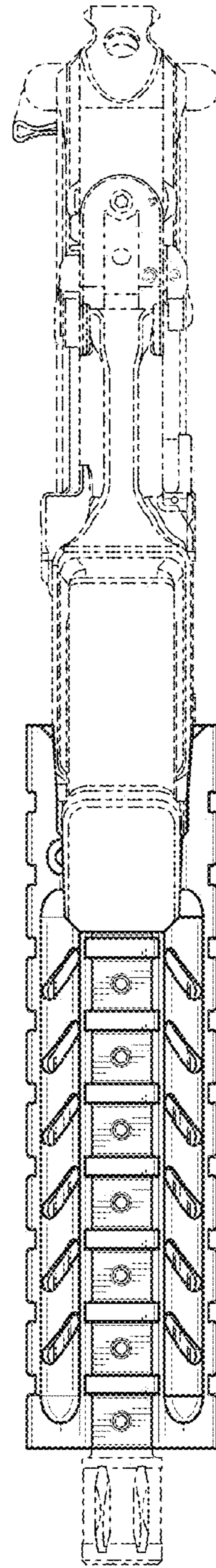


FIG. 6

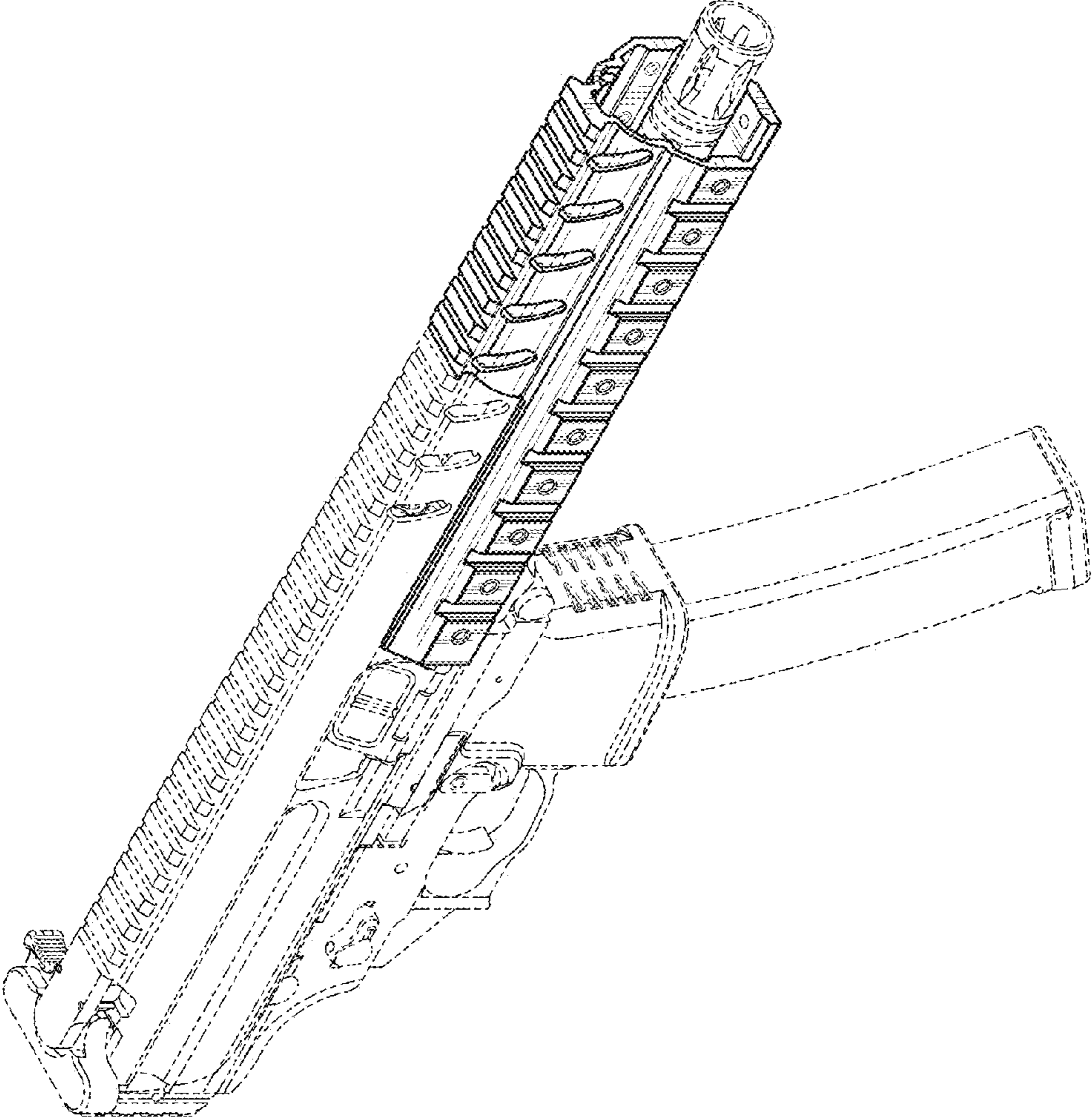


FIG. 7