



US00D725219S

(12) **United States Design Patent**
Hirt et al.

(10) **Patent No.:** **US D725,219 S**
(45) **Date of Patent:** **** Mar. 24, 2015**

(54) **TELESCOPING STOCK FOR SUBMACHINE GUN**

(71) Applicant: **Sig Sauer, Inc.**, Newington, NH (US)

(72) Inventors: **Robert Hirt**, Exeter, NH (US); **James Jones**, Manchester, NH (US); **Christopher Brent D'Alfonso**, Exeter, NH (US)

(73) Assignee: **Sig Sauer, Inc.**, Newington, NH (US)

(**) Term: **14 Years**

(21) Appl. No.: **29/470,403**

(22) Filed: **Oct. 21, 2013**

(51) **LOC (10) Cl.** **22-01**

(52) **U.S. Cl.**
USPC **D22/108**

(58) **Field of Classification Search**
CPC F41C 23/00; F41C 23/02; F41C 23/04;
F41C 23/06; F41C 23/08; F41C 23/10;
F41C 23/12; F41C 23/14; F41C 23/16;
F41C 23/18; F41C 23/20; F41C 23/22;
F41C 7/02; F41C 7/04; F41C 7/06; F41C
7/11; F41C 7/12
USPC D22/103, 108; D21/572, 573; 42/51,
42/90, 71.01, 71.02, 73, 75.01, 75.02;
362/160; 89/40.06, 37.04, 33.04;
33/334

See application file for complete search history.

(56) **References Cited**

U.S. PATENT DOCUMENTS

2,424,194	A *	7/1947	Sampson et al.	42/72
2,970,398	A	2/1961	Crouch	
3,488,488	A	1/1970	Crouch	
3,618,584	A	11/1971	Pigeon	
4,512,236	A	4/1985	Thevis et al.	
4,617,749	A	10/1986	Jurek	
4,735,007	A *	4/1988	Gal	42/72
D344,124	S	2/1994	Cupp	
D410,988	S	6/1999	Hines	

5,983,774	A	11/1999	Mihaita	
6,839,998	B1 *	1/2005	Armstrong	42/71.01
D510,401	S *	10/2005	Murello et al.	D22/103
D600,310	S	9/2009	Fitzpatrick et al.	
D606,155	S	12/2009	Swan	
D606,156	S	12/2009	Swan	
D636,044	S	4/2011	Larson et al.	

(Continued)

Primary Examiner — Michael A Pratt

(74) *Attorney, Agent, or Firm* — Finch & Maloney PLLC

(57) **CLAIM**

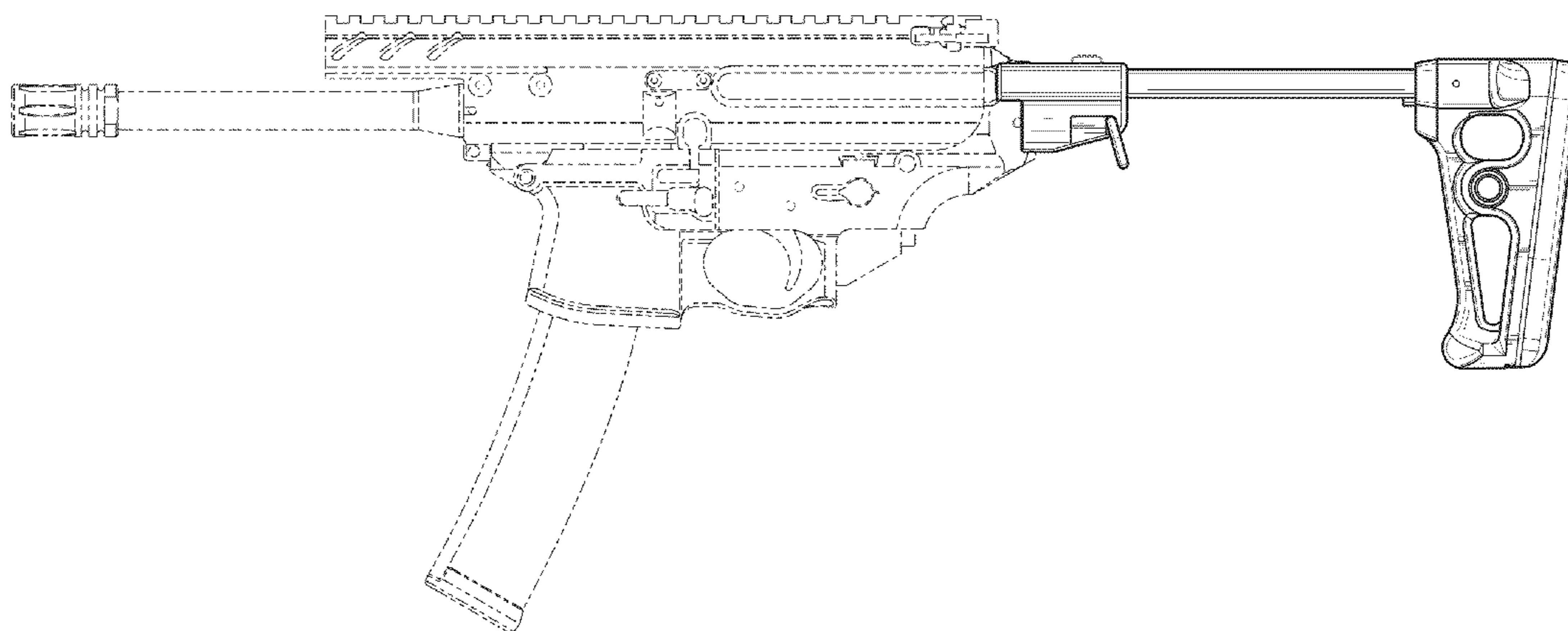
The ornamental design for a telescoping stock for a submachine gun, as shown and described.

DESCRIPTION

FIG. 1 is a left elevation view of a telescoping stock for a submachine gun showing the design; FIG. 2 is a right elevation view thereof; FIG. 3 is a rear elevation view thereof; FIG. 4 is a front elevation view thereof; FIG. 5 is a top plan view thereof; FIG. 6 is a bottom plan view thereof; FIG. 7 is a front perspective view thereof; FIG. 8 is a left elevation view thereof, shown in an alternate position; FIG. 9 is a right elevation view thereof, shown in the alternate position; FIG. 10 is a rear elevation view thereof, shown in the alternate position; FIG. 11 is a front elevation view thereof, shown in the alternate position; FIG. 12 is a top plan view thereof, shown in the alternate position; FIG. 13 is a bottom plan view thereof, shown in the alternate position; and, FIG. 14 is a front perspective view thereof, shown in the alternate position.

Broken lines in the drawings are for the purpose of illustrating environmental structure and form no part of the claimed design.

1 Claim, 10 Drawing Sheets



(56)

References Cited

U.S. PATENT DOCUMENTS

D636,048 S	4/2011	Larson et al.			
7,966,761 B1 *	6/2011	Kuczynko et al.	42/73	8,769,855 B2	7/2014 Law
8,061,072 B1 *	11/2011	Crose	42/73	D714,413 S *	9/2014 Kerbrat et al.
8,151,504 B1	4/2012	Aiston		8,844,185 B2	9/2014 Jarboe
8,245,429 B2 *	8/2012	Kuczynko et al.	42/73	D716,403 S *	10/2014 Burt et al.
D671,184 S	11/2012	Larson et al.		2009/0282718 A1	11/2009 Bartley
D674,859 S	1/2013	Robbins et al.		2010/0186276 A1 *	7/2010 Herring
8,443,538 B1	5/2013	Moody		2011/0283581 A1	11/2011 Freed
8,522,467 B1	9/2013	Christensen et al.		2012/0017482 A1	1/2012 Chvala
8,631,601 B2 *	1/2014	Langevin et al.	42/73	2012/0180354 A1 *	7/2012 Sullivan et al.
8,667,882 B1	3/2014	Larson et al.		2013/0125442 A1	5/2013 Burress
8,726,558 B1	5/2014	Nason		2014/0033590 A1	2/2014 Gomez
				2014/0075816 A1	3/2014 Larson et al.
				2014/0196346 A1	7/2014 Grimshaw et al.
				2014/0260946 A1	9/2014 Gomez

* cited by examiner

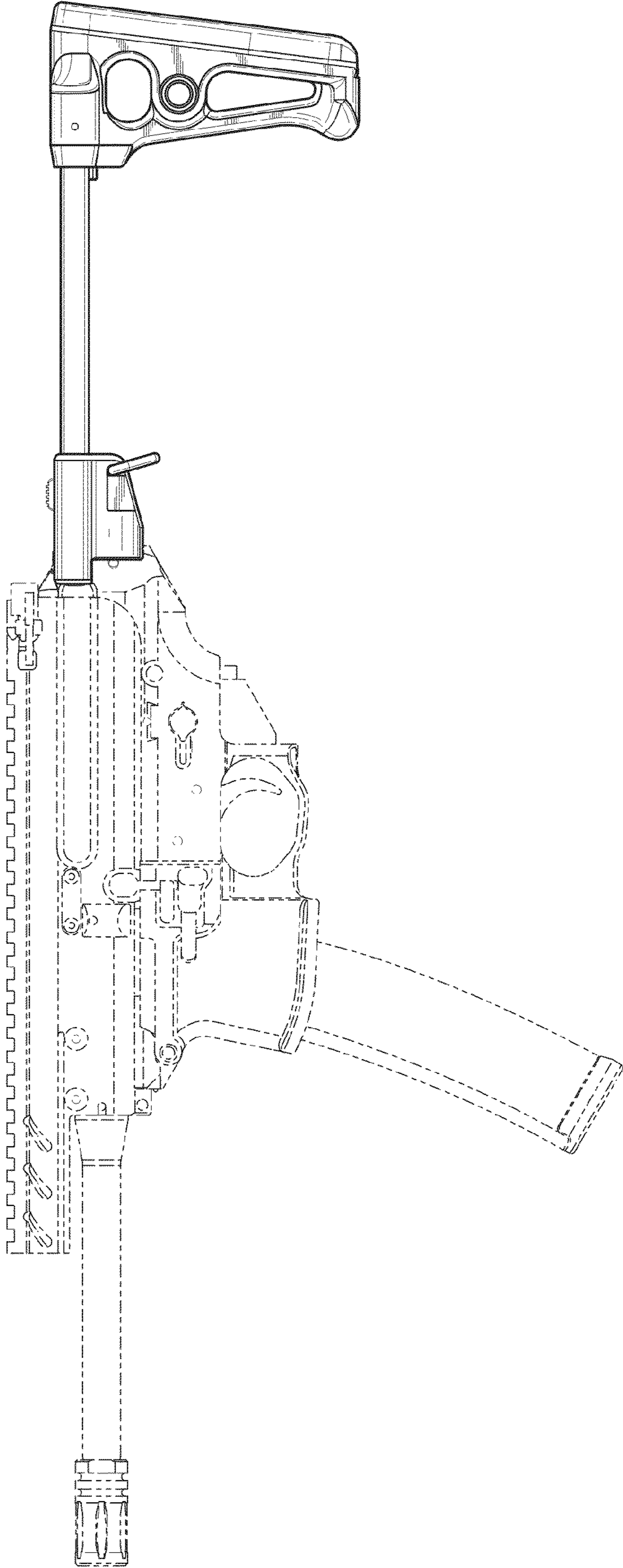


FIG. 1

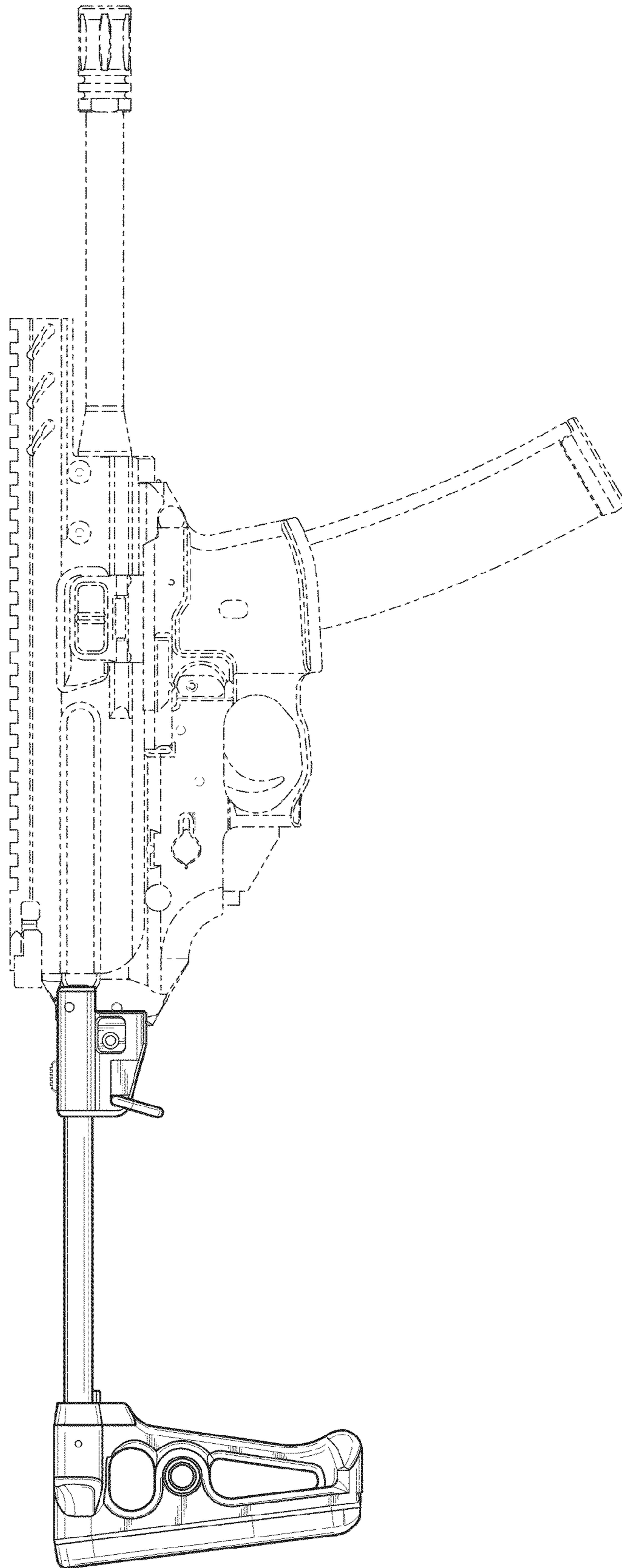


FIG. 2

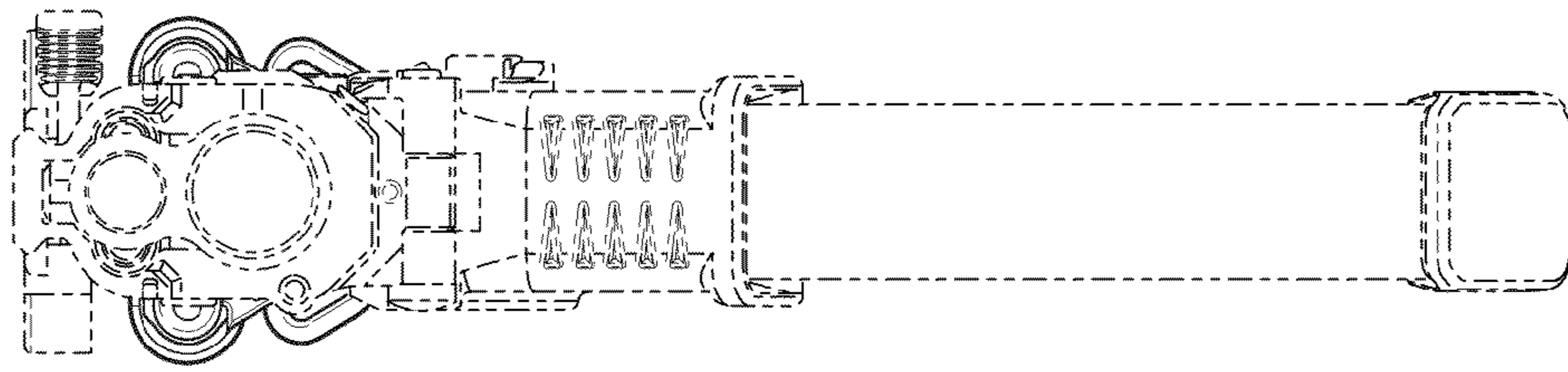


FIG. 4

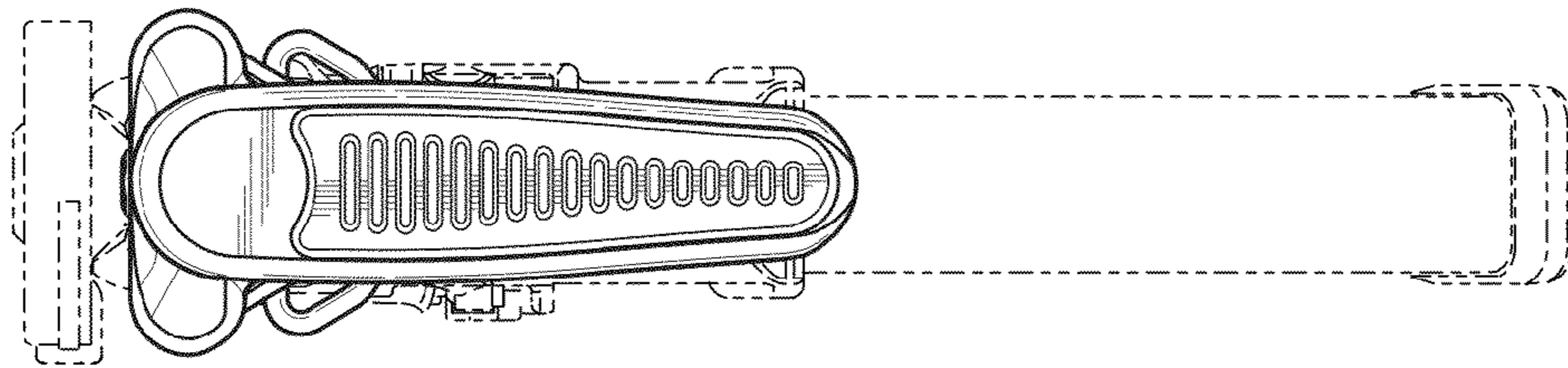


FIG. 3

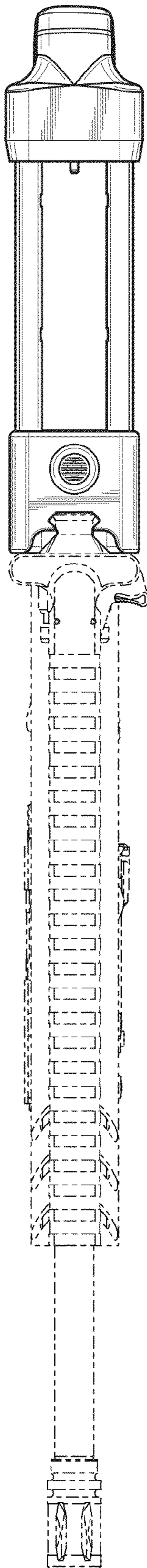


FIG. 5

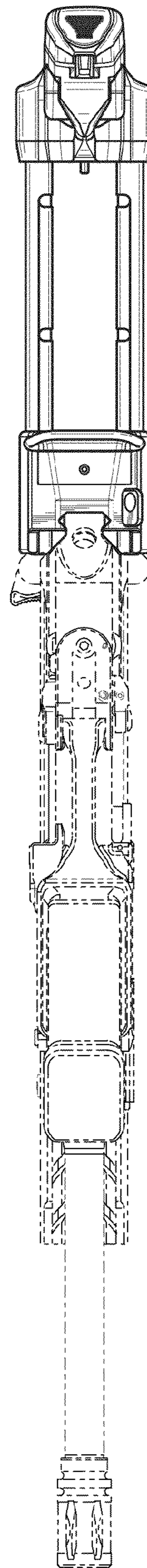


FIG. 6

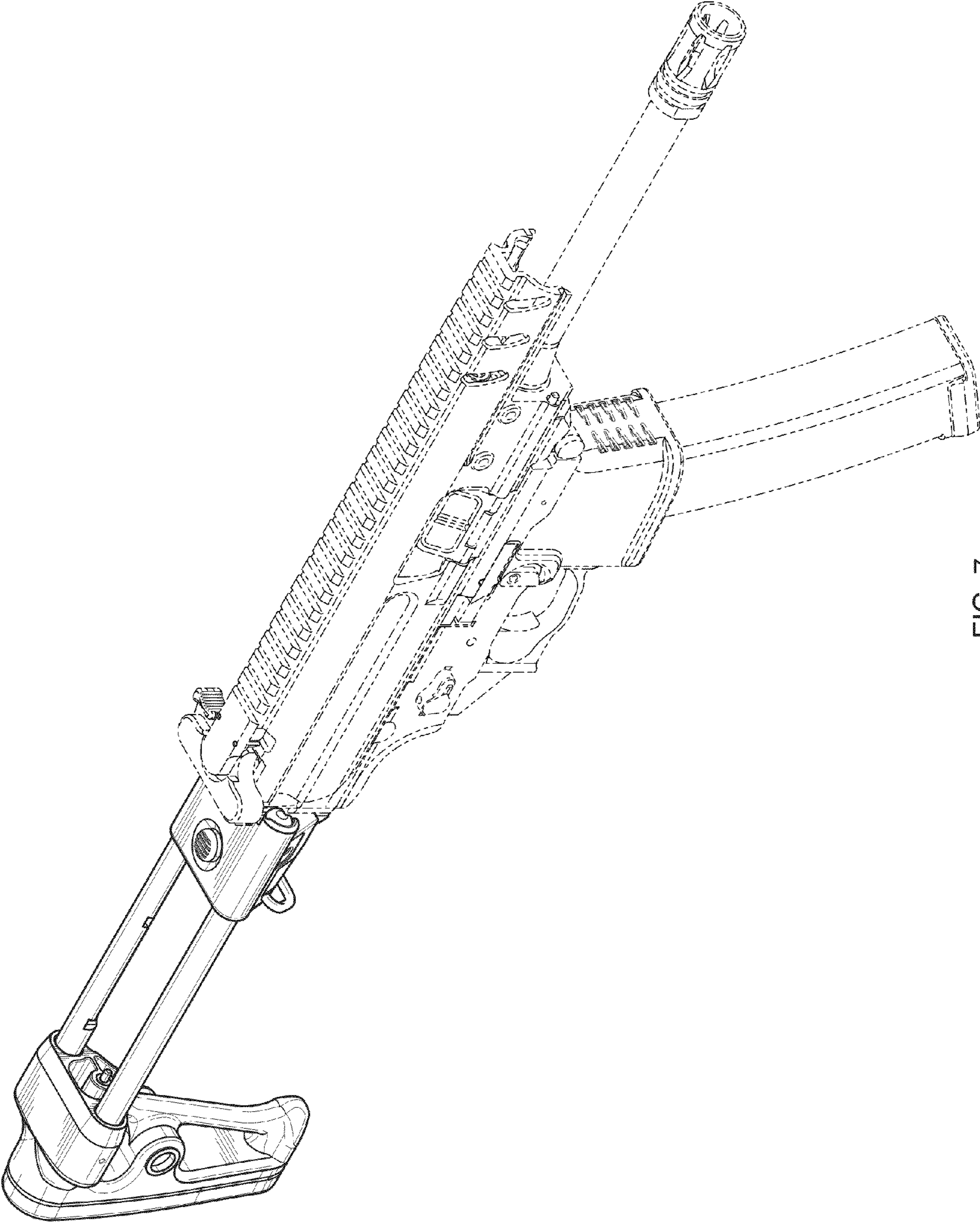


FIG. 7

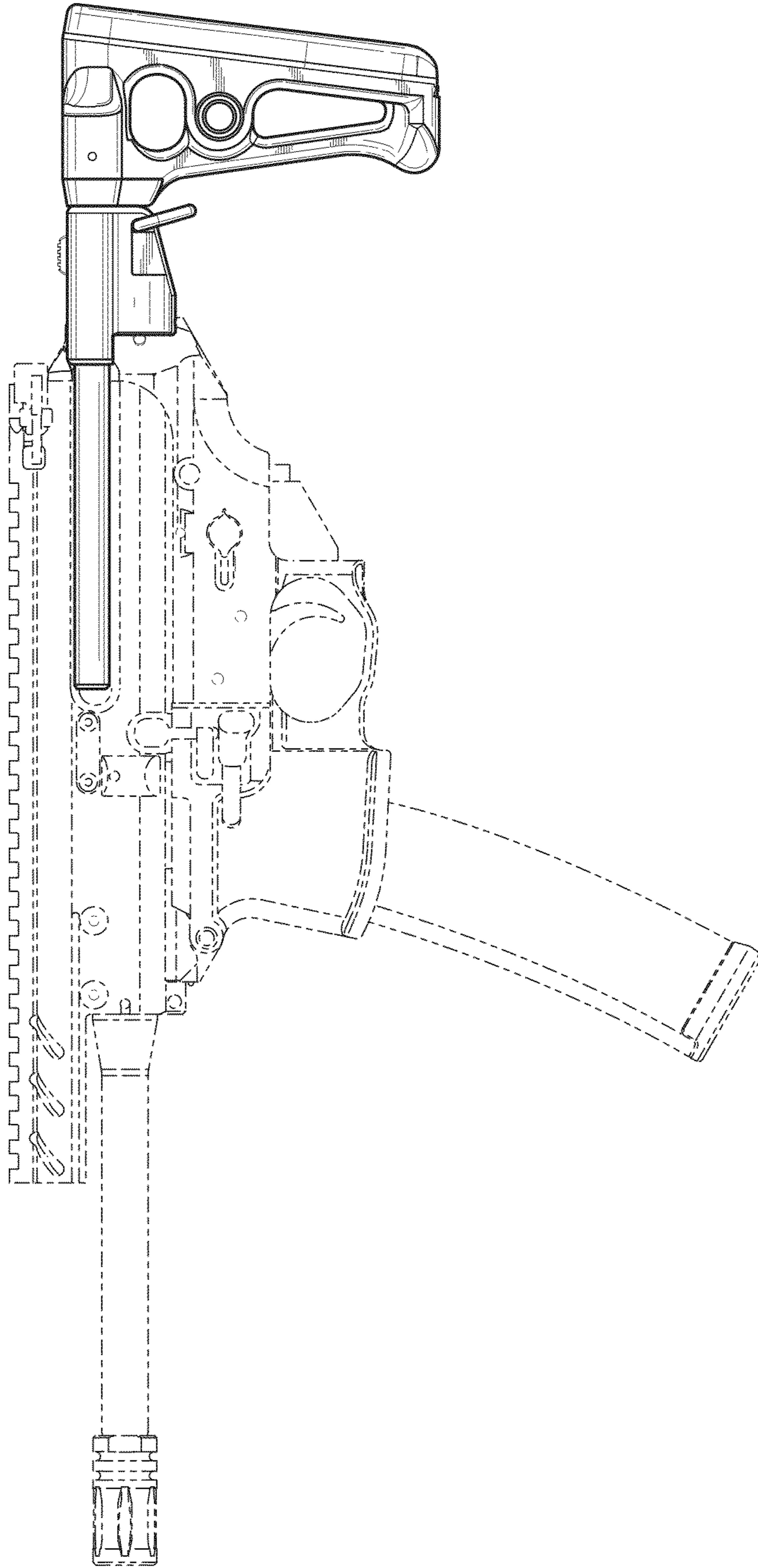


FIG. 8

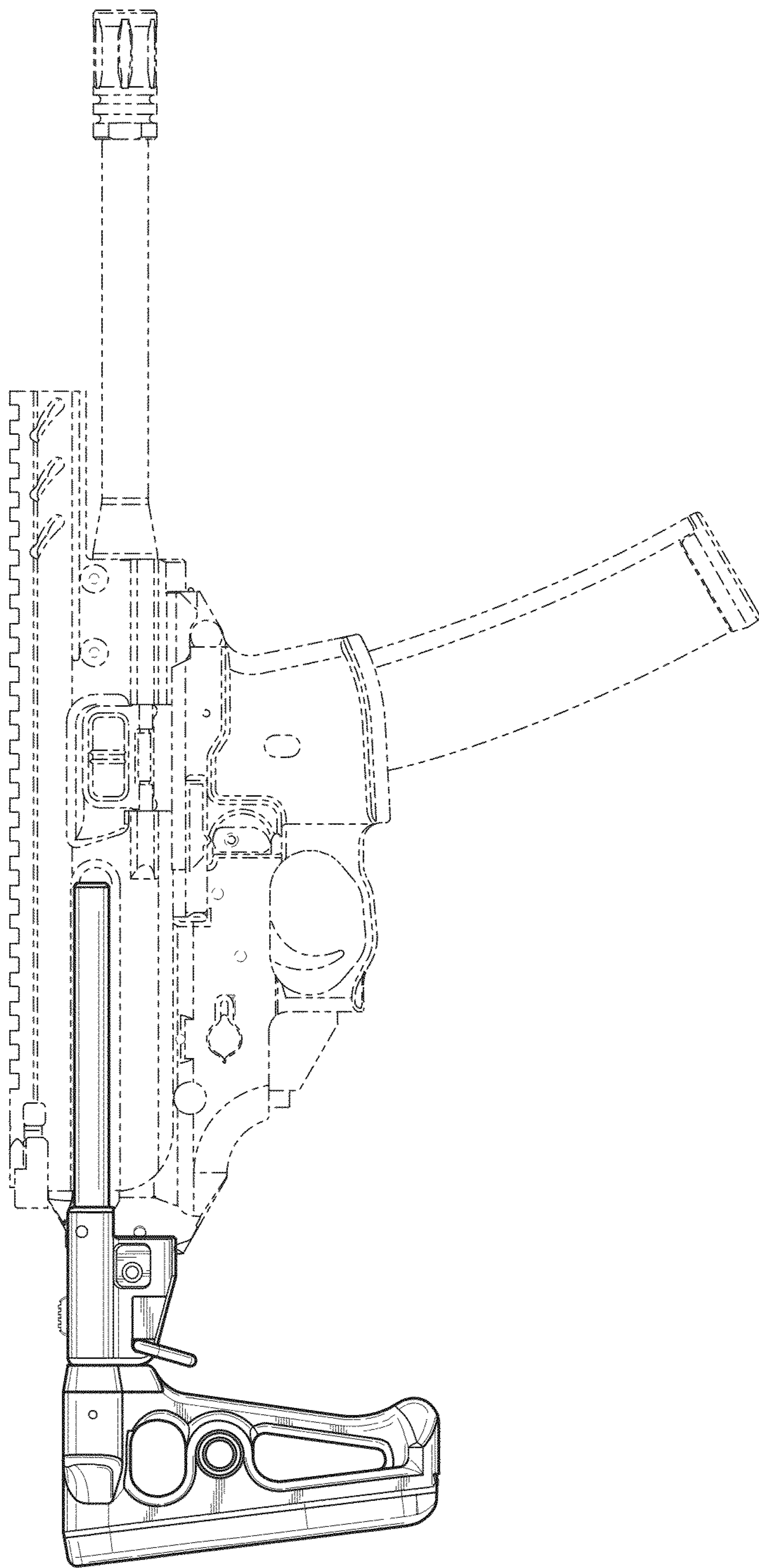


FIG. 9

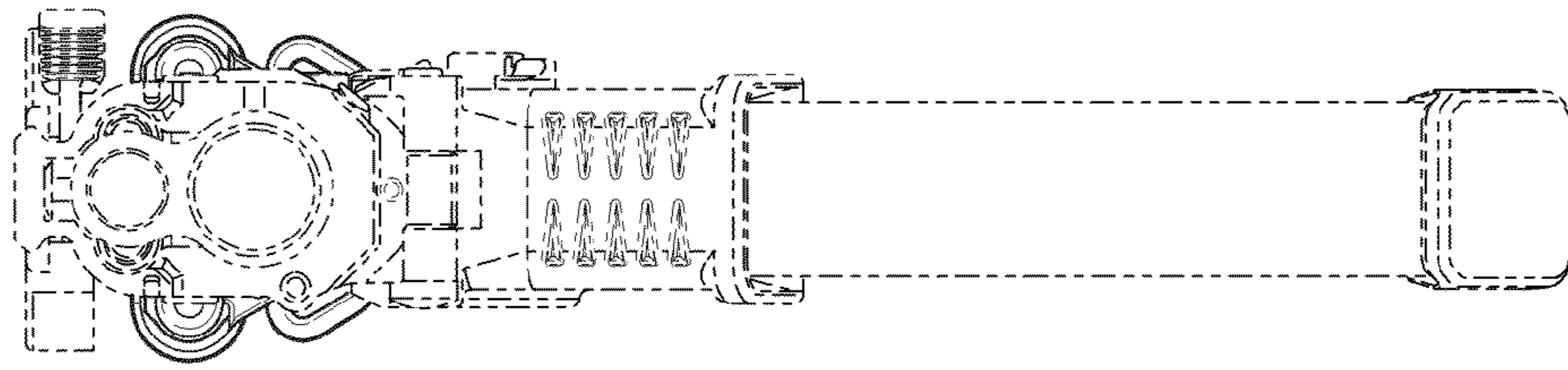


FIG. 11

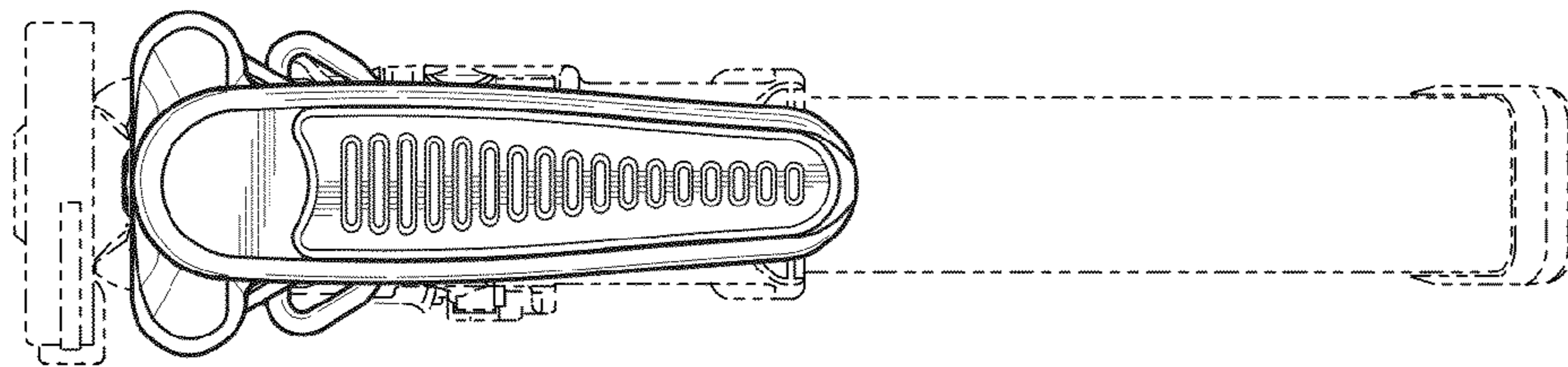


FIG. 10

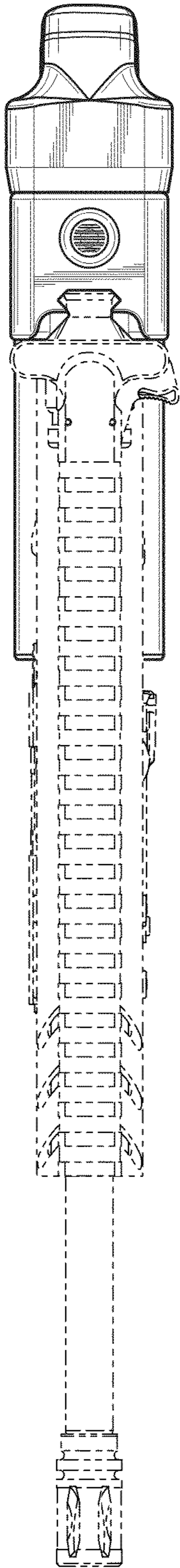


FIG. 12

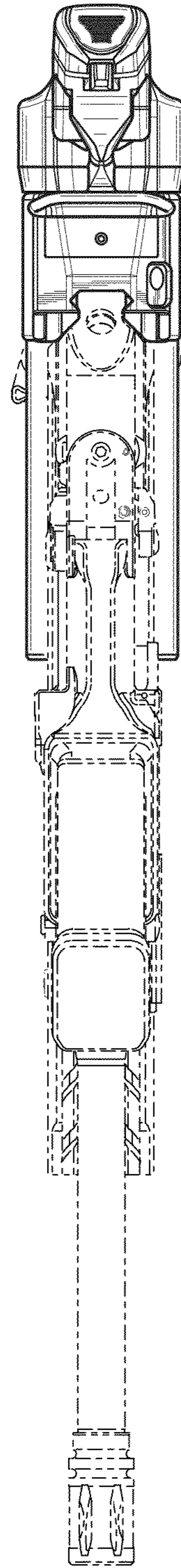


FIG. 13

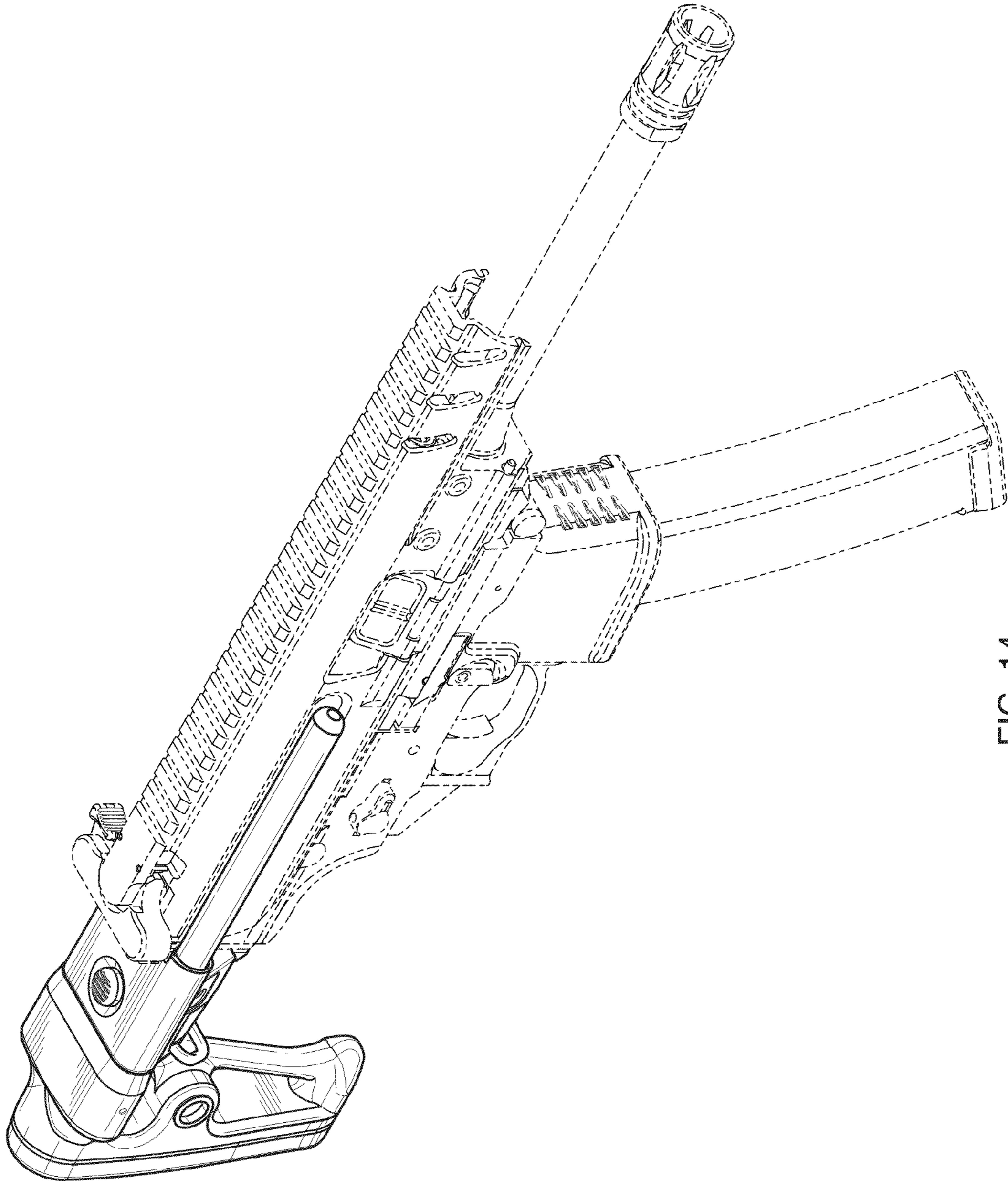


FIG. 14