



US00D725218S

(12) **United States Design Patent**
Iosilevsky

(10) **Patent No.:** **US D725,218 S**
(45) **Date of Patent:** **** Mar. 24, 2015**

(54) **FIREARM MAGAZINE WELL FUNNEL AND GRIP**

2010/0154275 A1 6/2010 Faifer
2012/0167431 A1 7/2012 Rogers et al.
2013/0205635 A1* 8/2013 Hines et al. 42/71.02

(71) Applicant: **Alex Iosilevsky**, San Francisco, CA (US)

* cited by examiner

(72) Inventor: **Alex Iosilevsky**, San Francisco, CA (US)

Primary Examiner — Michael A Pratt

(73) Assignee: **Alex Iosilevsky**, San Francisco, CA (US)

(57) **CLAIM**

An ornamental design of a firearm magazine well funnel and grip, as shown and described.

(**) Term: **14 Years**

DESCRIPTION

(21) Appl. No.: **29/470,054**

(22) Filed: **Oct. 17, 2013**

(51) **LOC (10) Cl.** **22-01**

(52) **U.S. Cl.**
USPC **D22/108**

(58) **Field of Classification Search**
CPC F41C 23/10; F41C 23/14; F41C 23/16;
F41C 23/18
USPC D22/108; 362/109–114; 42/90, 94, 114,
42/117, 124–127, 131, 146
See application file for complete search history.

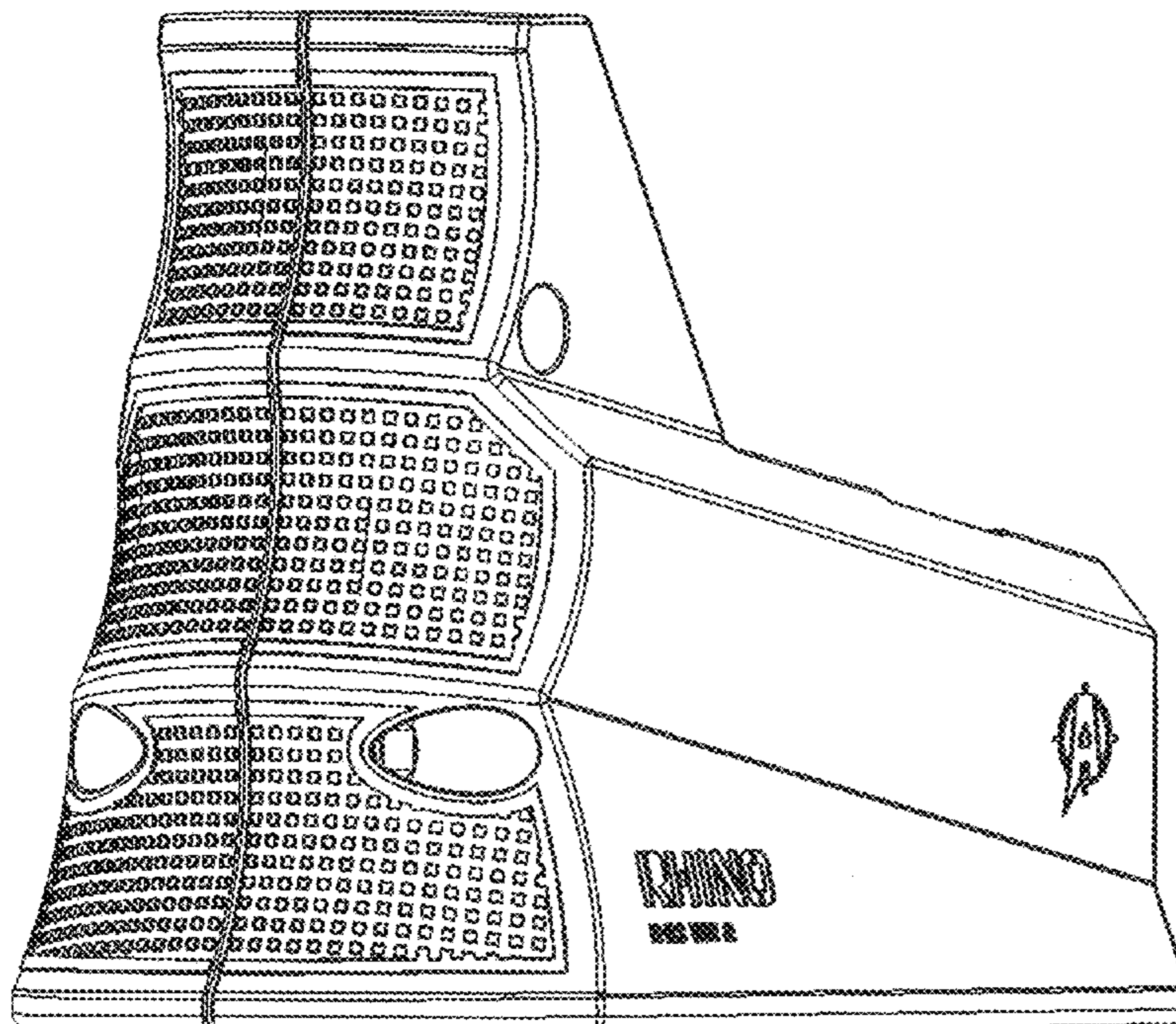
FIG. 1 is a front, left perspective view of a firearm magazine well funnel and grip,
FIG. 2 is a right side elevation view of the firearm magazine well funnel and grip of FIG. 1.
FIG. 3 is a left side elevation view of the firearm magazine well funnel and grip of FIG. 1.
FIG. 4 is a top plan view of the firearm magazine well funnel and grip of FIG. 1.
FIG. 5 is a bottom plan view of the firearm magazine well funnel and grip of FIG. 1.
FIG. 6 is a front elevation view of the firearm magazine of well funnel and grip of FIG. 1.
FIG. 7 is a rear elevation view of the firearm magazine of well funnel and grip of FIG. 1,
FIG. 8 is a perspective rear right bottom view of the firearm magazine of well funnel and grip of FIG. 1.
FIG. 9 is a rear, right, top perspective view of the firearm magazine well funnel and grip of FIG. 1; and,
FIG. 10 is a front, left, bottom perspective view of the firearm magazine well funnel and grip of FIG. 1.

(56) **References Cited**

U.S. PATENT DOCUMENTS

D623,253 S * 9/2010 Hoffman D22/108
7,823,312 B2 11/2010 Faifer
D644,291 S 8/2011 Faifer
D647,589 S 10/2011 Rogers
8,484,877 B2 7/2013 Zimmermann
8,533,987 B2* 9/2013 Rogers et al. 42/72
8,590,201 B2* 11/2013 Brixius 42/71.01

1 Claim, 10 Drawing Sheets



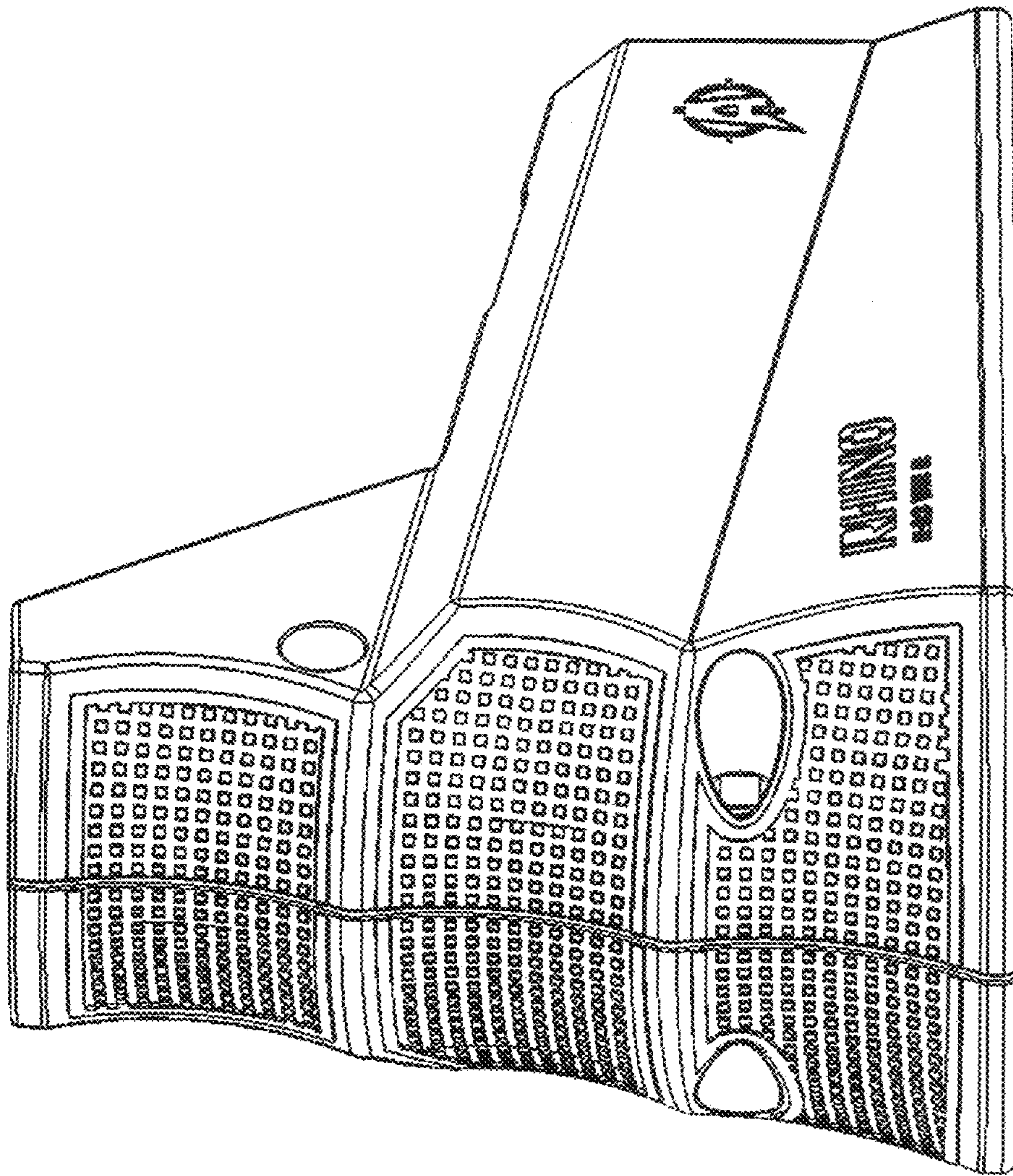


FIG. 1

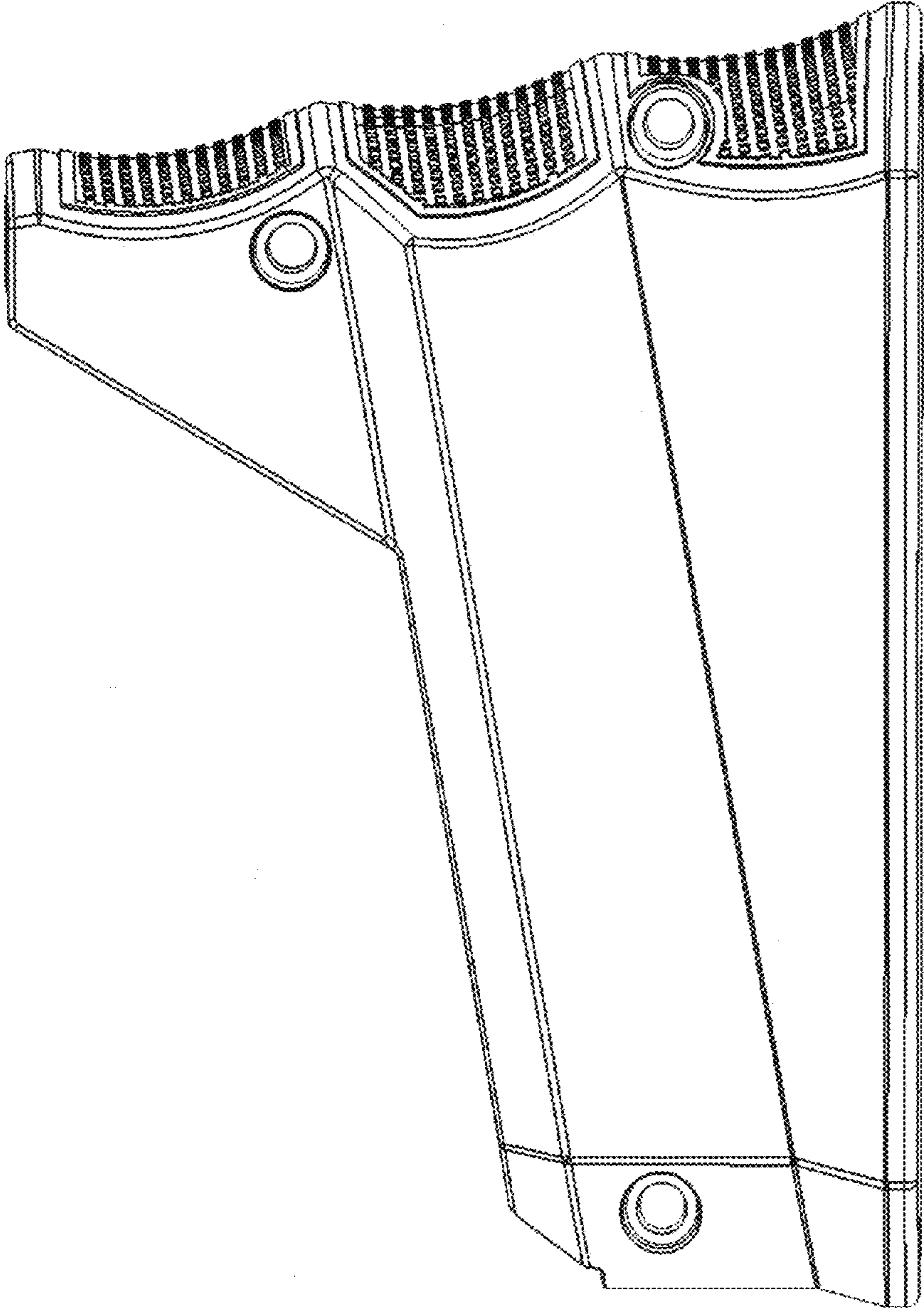


FIG. 2

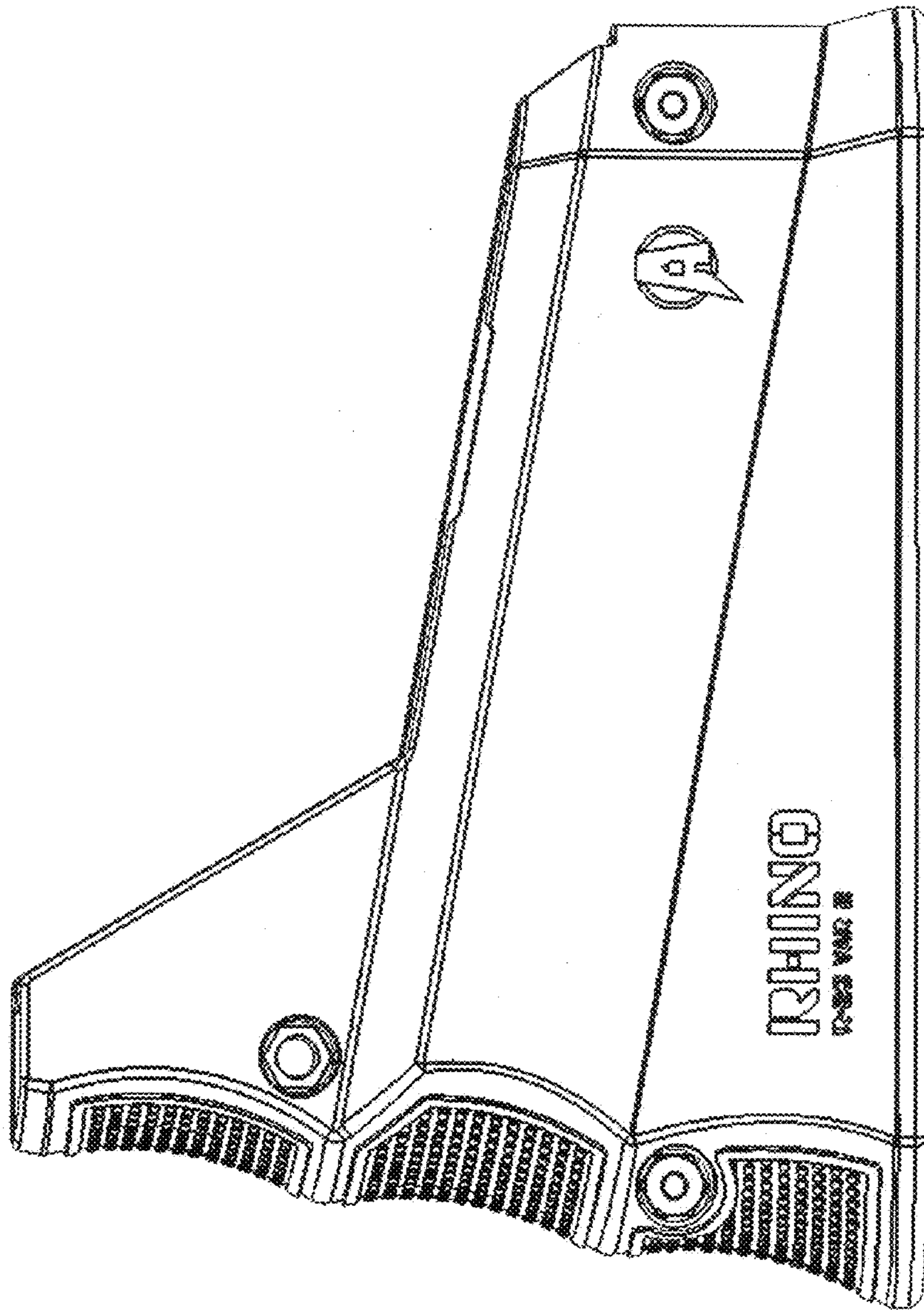


Fig. 3

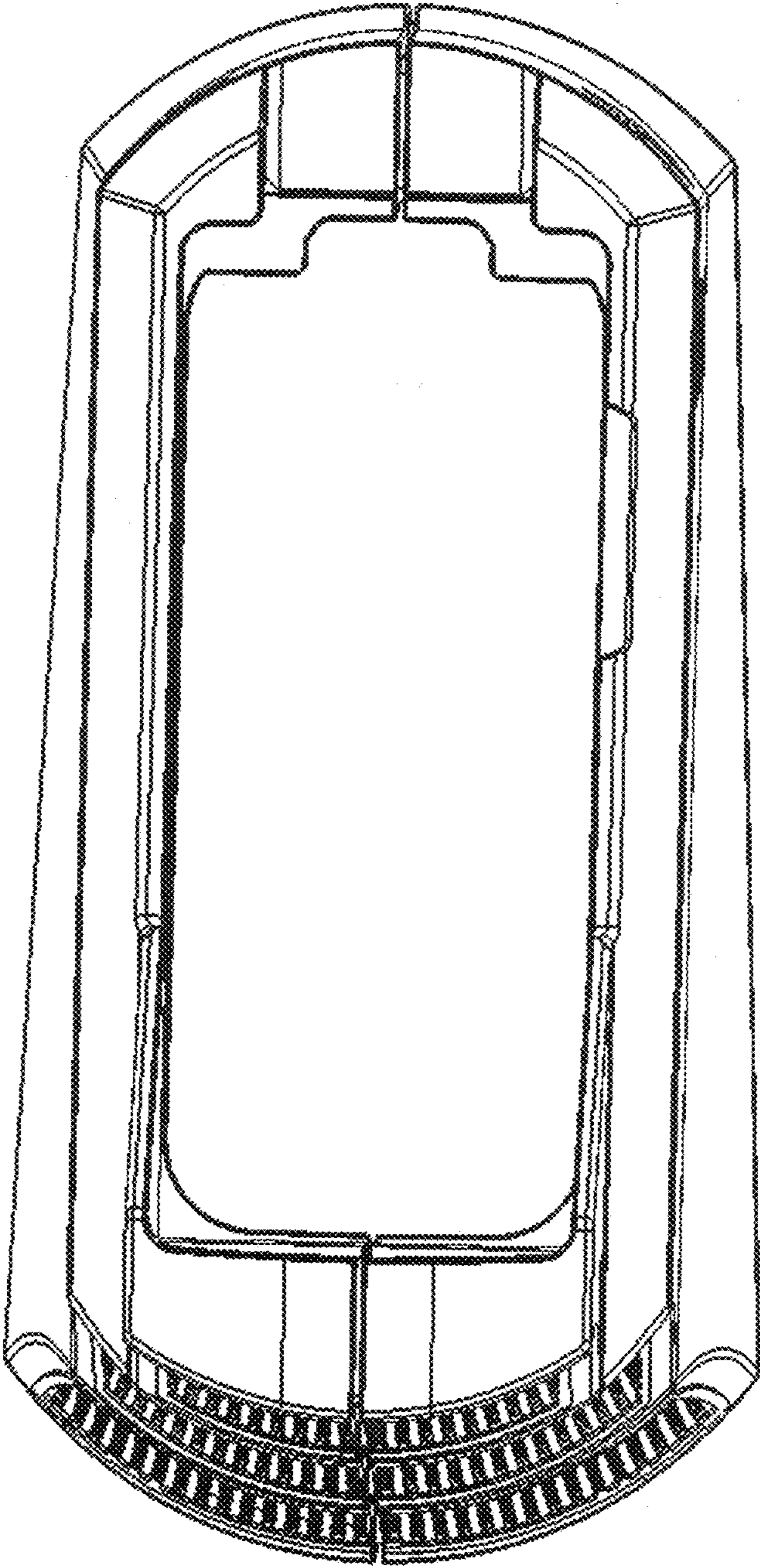


FIG. 4

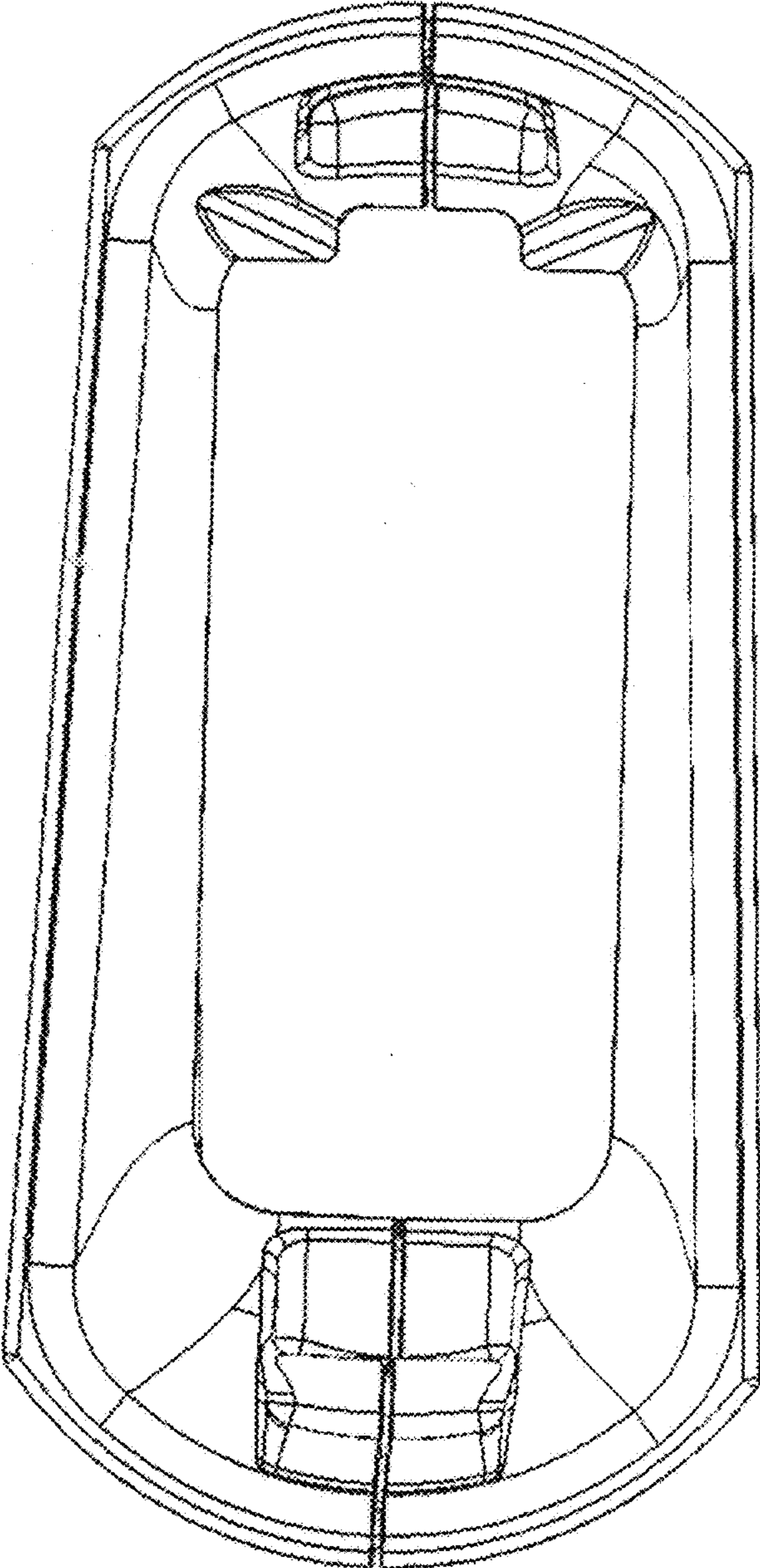


FIG. 5

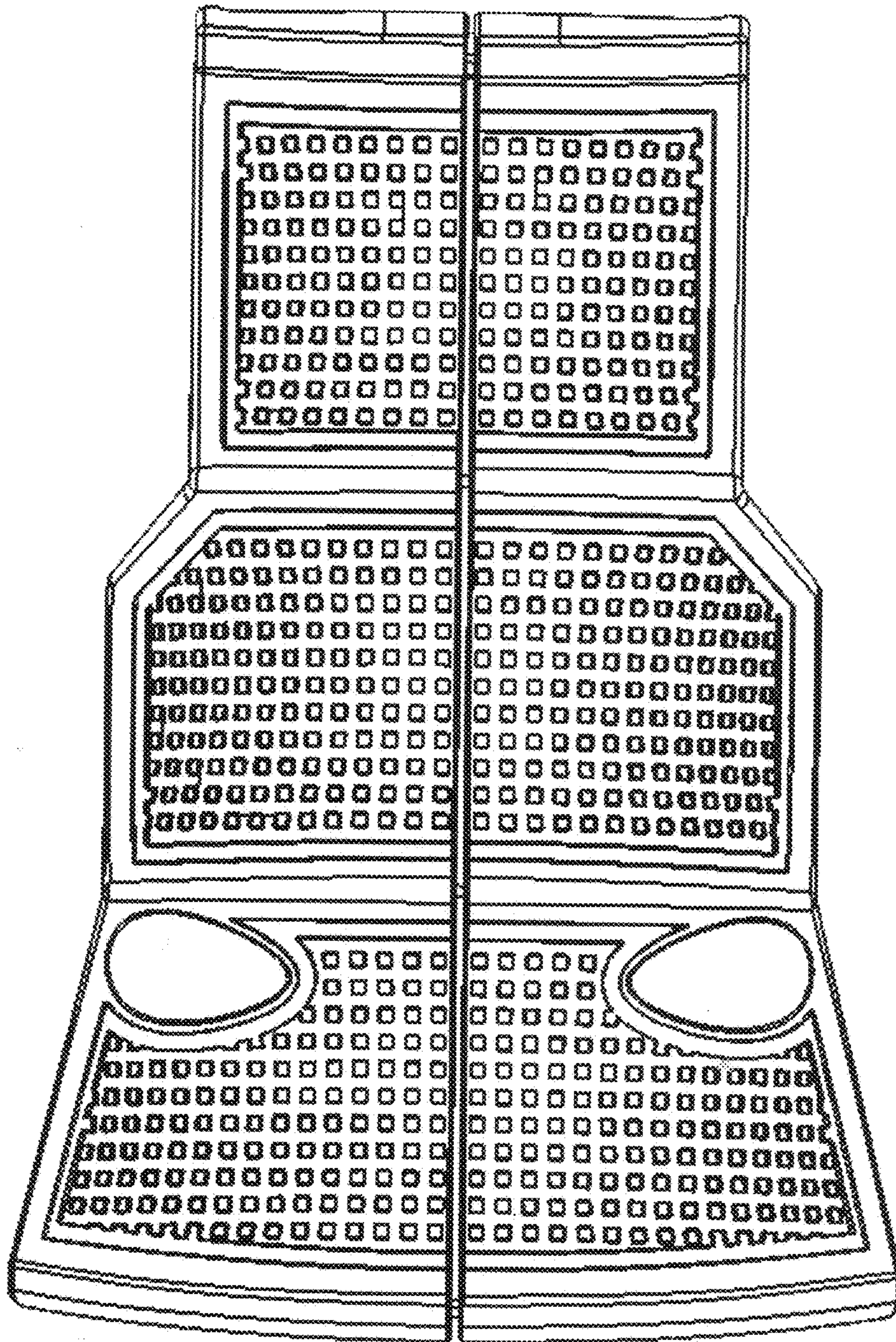


FIG. 6

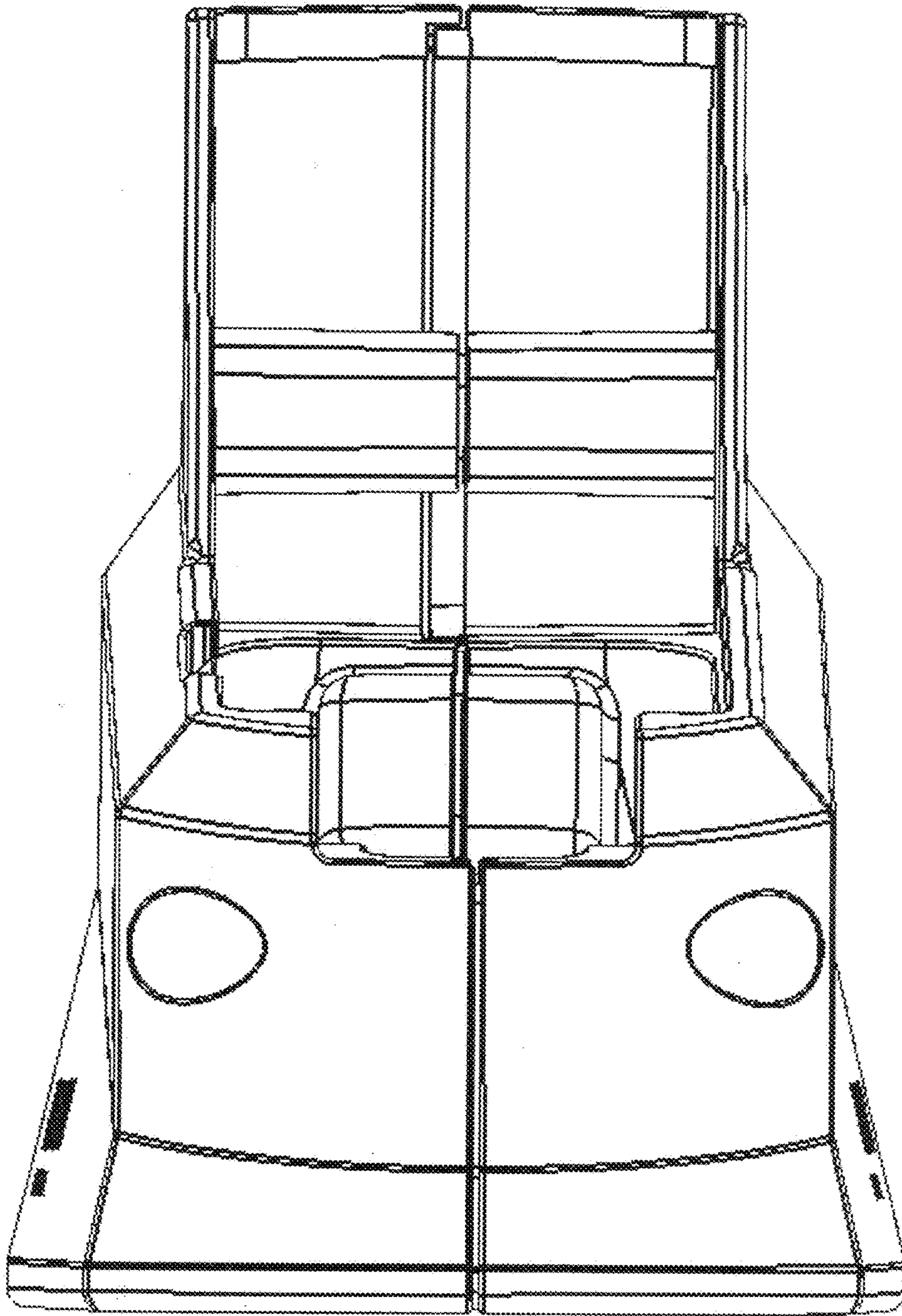


FIG. 7

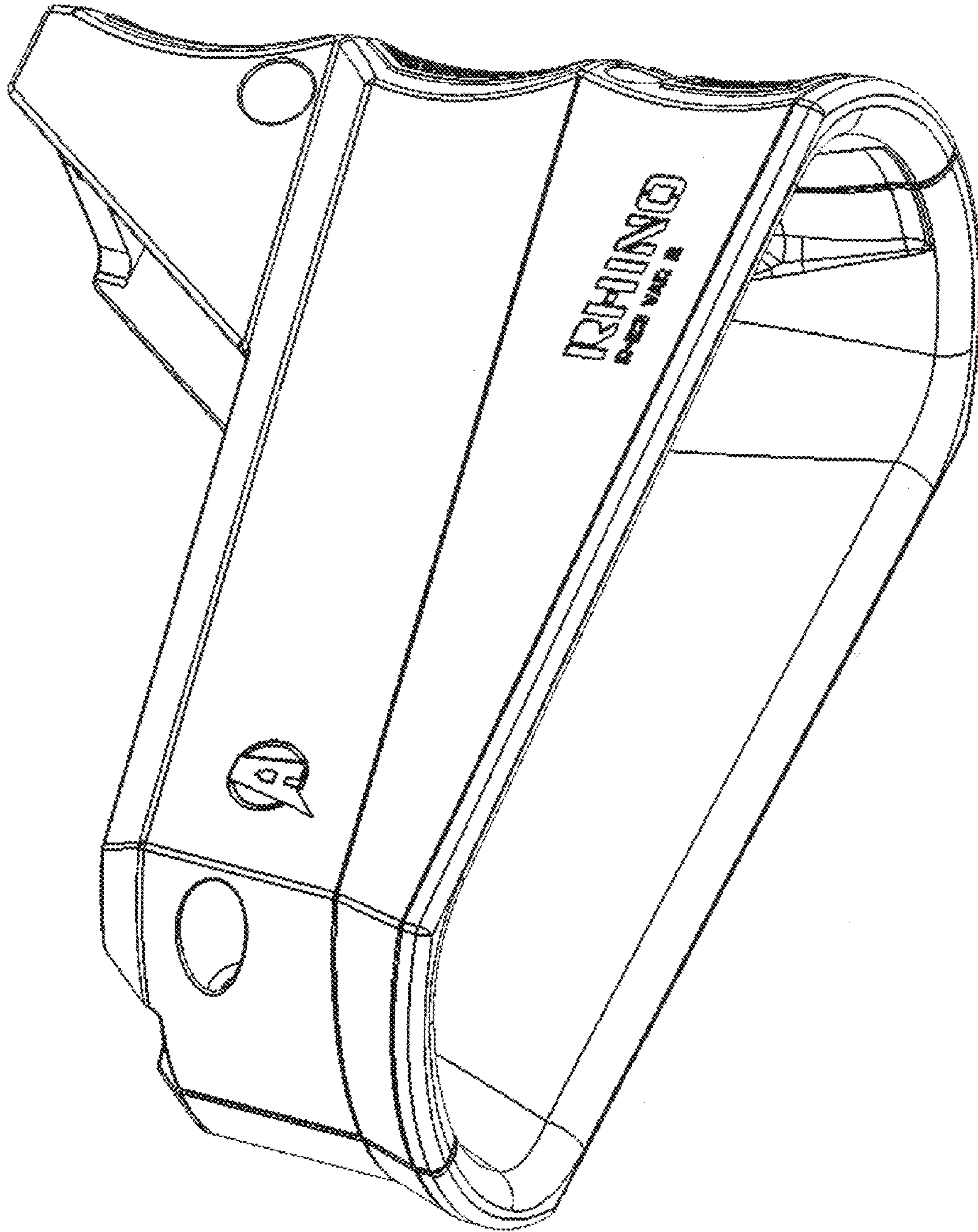


FIG. 8

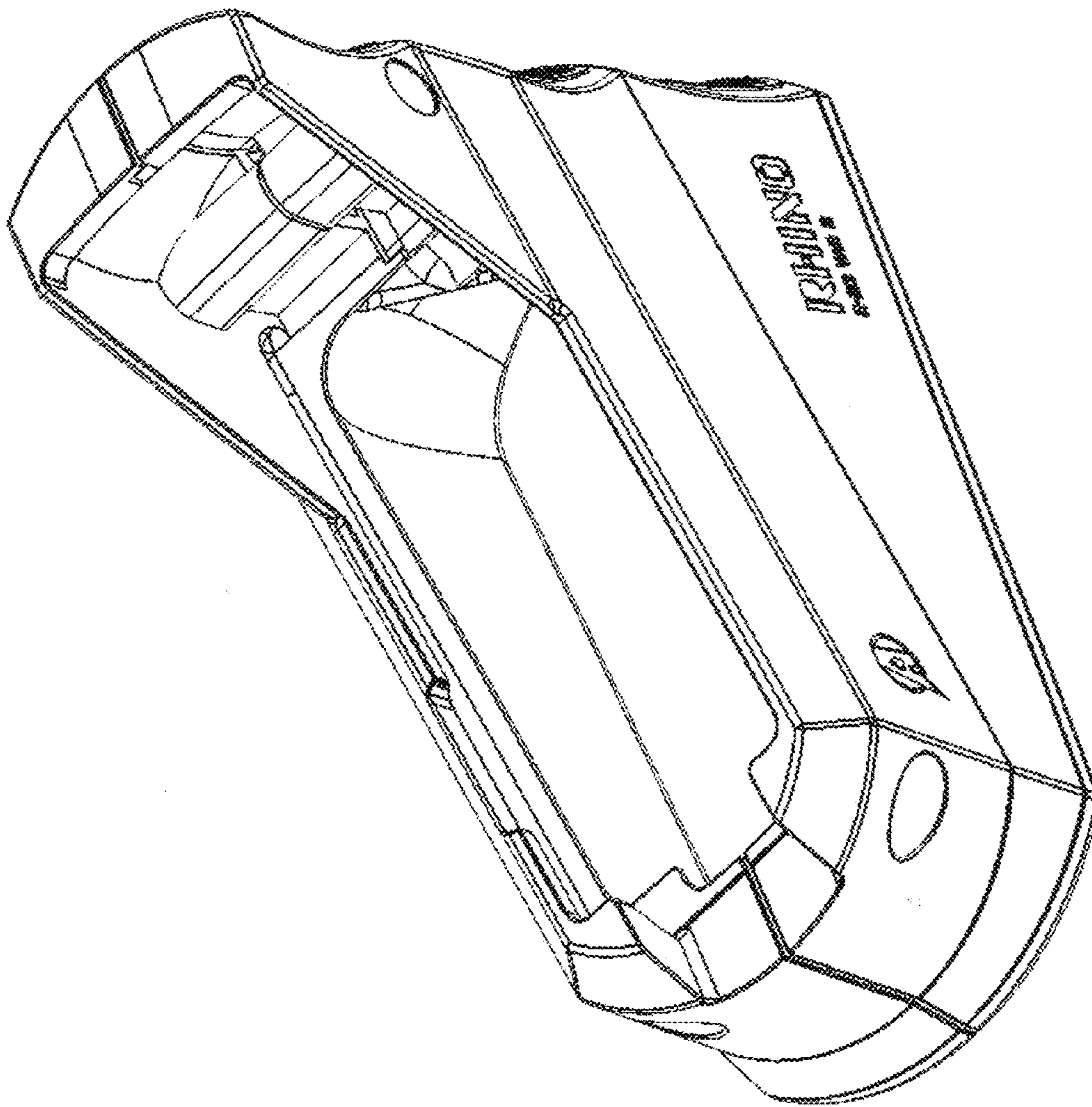


FIG. 9

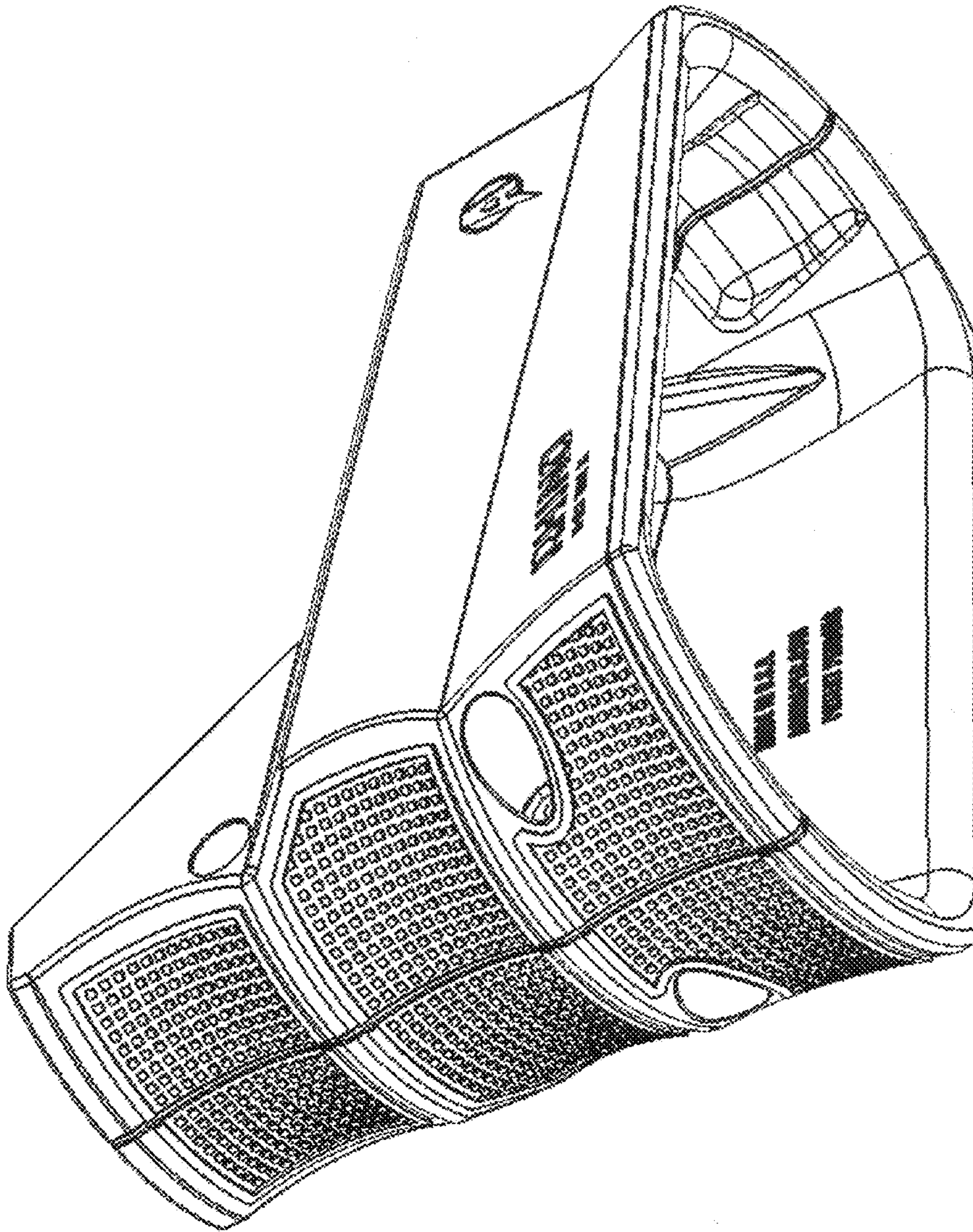


FIG. 10