



US00D725216S

(12) **United States Design Patent**  
**Donnelly**

(10) **Patent No.:** **US D725,216 S**  
(45) **Date of Patent:** **\*\* Mar. 24, 2015**

(54) **BELT CLIP FOR FIREARM**

(56) **References Cited**

(71) Applicant: **United States Fire Arms Manufacturing Co., Inc.**, Hartford, CT (US)

U.S. PATENT DOCUMENTS

7,441,364 B2 *	10/2008	Rogers et al.	42/146
8,458,867 B2 *	6/2013	Rogers et al.	24/614
D715,631 S *	10/2014	Szymanski	D8/395
2013/0327798 A1 *	12/2013	Lee	224/183
2014/0283426 A1 *	9/2014	Kresser et al.	42/1.05

(72) Inventor: **Douglas F. Donnelly**, Hartford, CT (US)

\* cited by examiner

(73) Assignee: **United States Fire Arms Manufacturing Co., Inc.**, Hartford, CT (US)

*Primary Examiner* — Michael A Pratt

(74) *Attorney, Agent, or Firm* — Christie, Parker & Hale, LLP

(\*\*) Term: **14 Years**

(57) **CLAIM**

The ornamental design for belt clip for a firearm, as shown and described.

(21) Appl. No.: **29/469,872**

**DESCRIPTION**

(22) Filed: **Oct. 15, 2013**

FIG. 1 is a top, front, right perspective view of a stock for a firearm showing the new design.

(51) **LOC (10) Cl.** ..... **22-01**

FIG. 2 is a right side view thereof.

(52) **U.S. Cl.**

FIG. 3 is a top view thereof.

USPC ..... **D22/108**

FIG. 4 is a front view thereof.

(58) **Field of Classification Search**

CPC ..... F41C 33/04; F41C 33/041; F41C 33/043; F41C 33/045; F41C 33/046; F41C 33/048

FIG. 5 is a left side view thereof.

USPC ..... D22/108; D8/395; 24/614, 615, 625, 24/629, 3.12, 457, 530; 224/617, 666-669

FIG. 6 is a bottom view thereof; and,

FIG. 7 is a back view thereof.

See application file for complete search history.

The broken lines located inside the solid line disclosure represent unclaimed features not part of the claimed design. The broken lines located adjacent the solid line disclosure and showing a firearm are for illustrative purposes only and form no part of the claimed design.

**1 Claim, 3 Drawing Sheets**

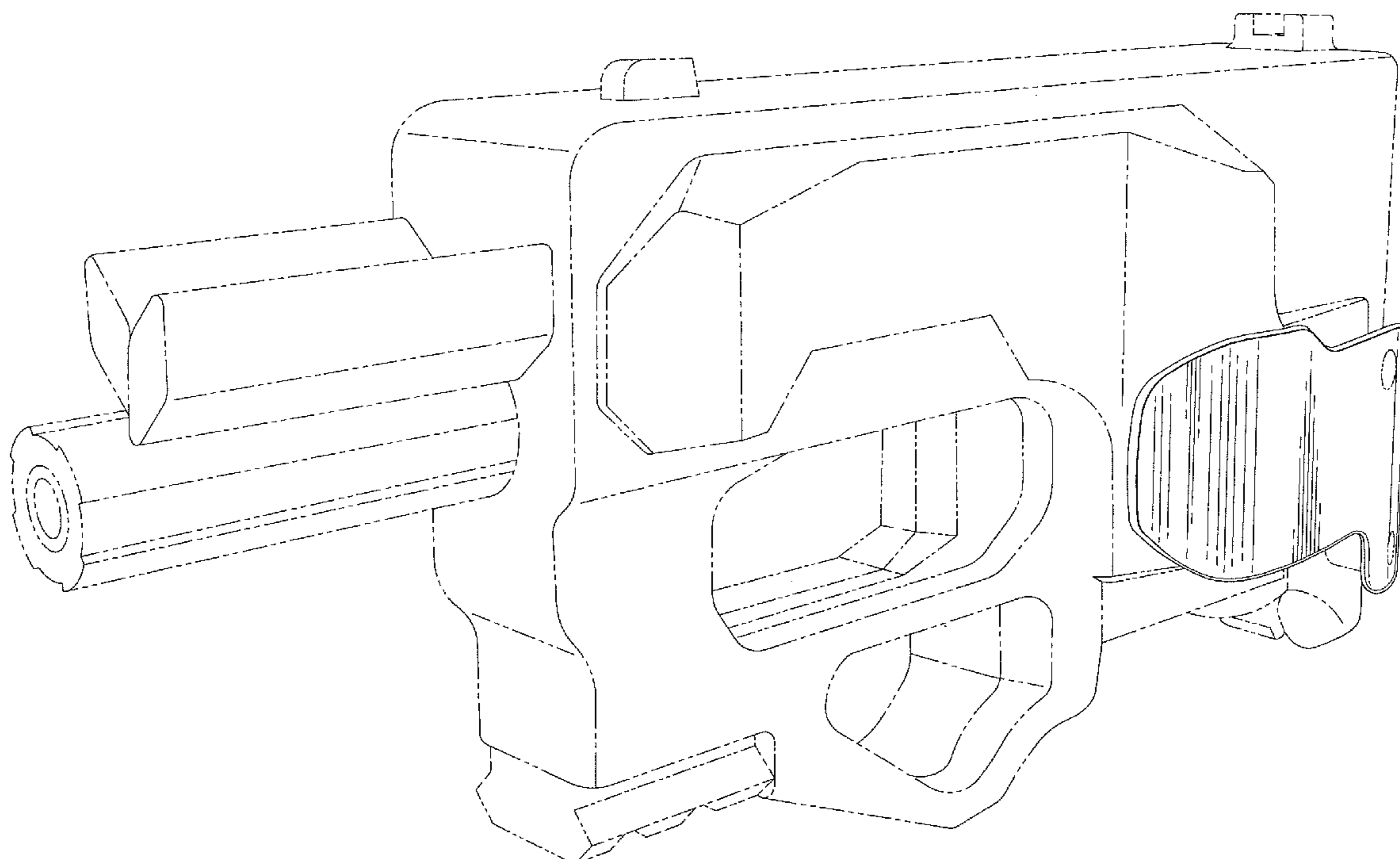
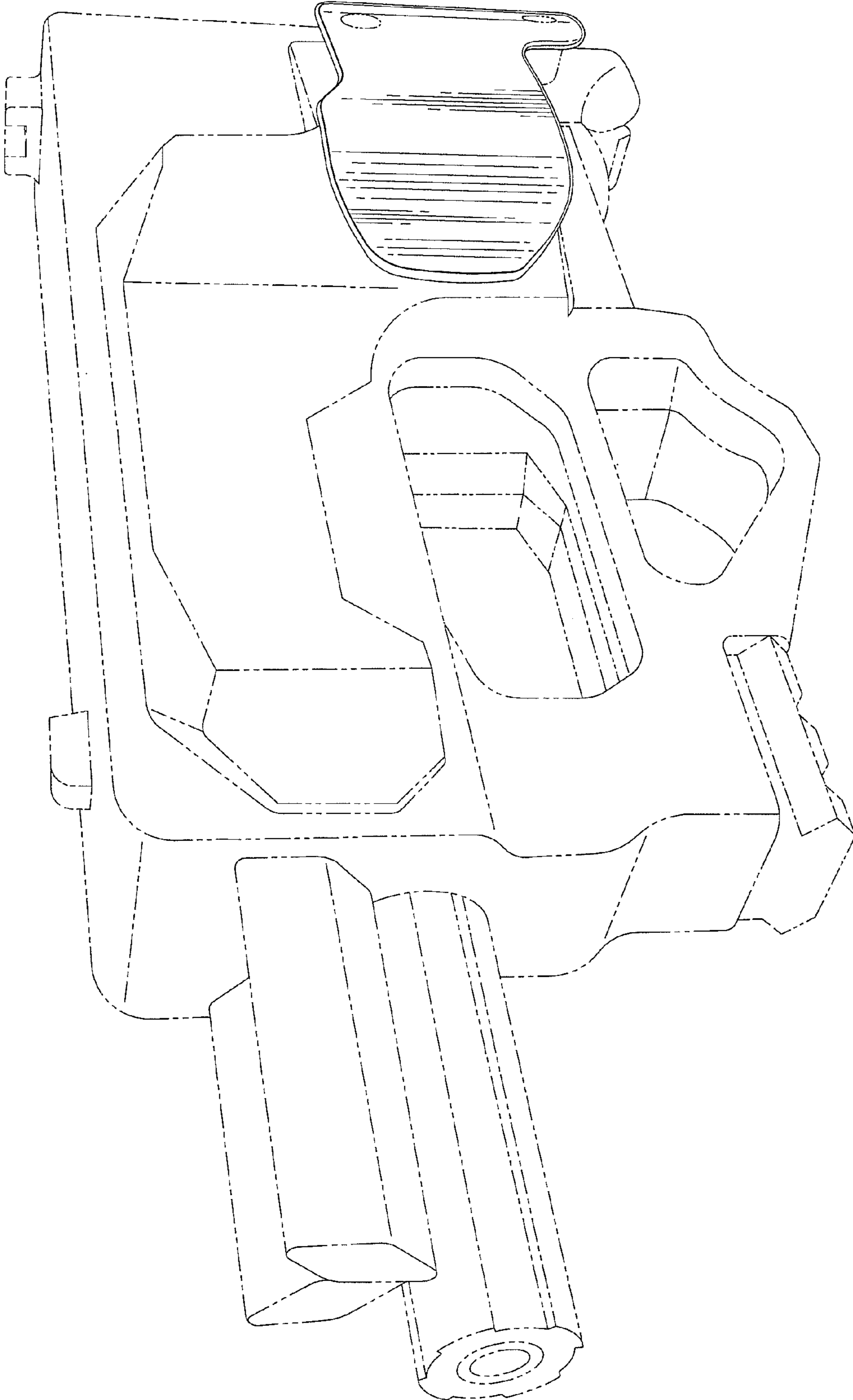


FIG. 1



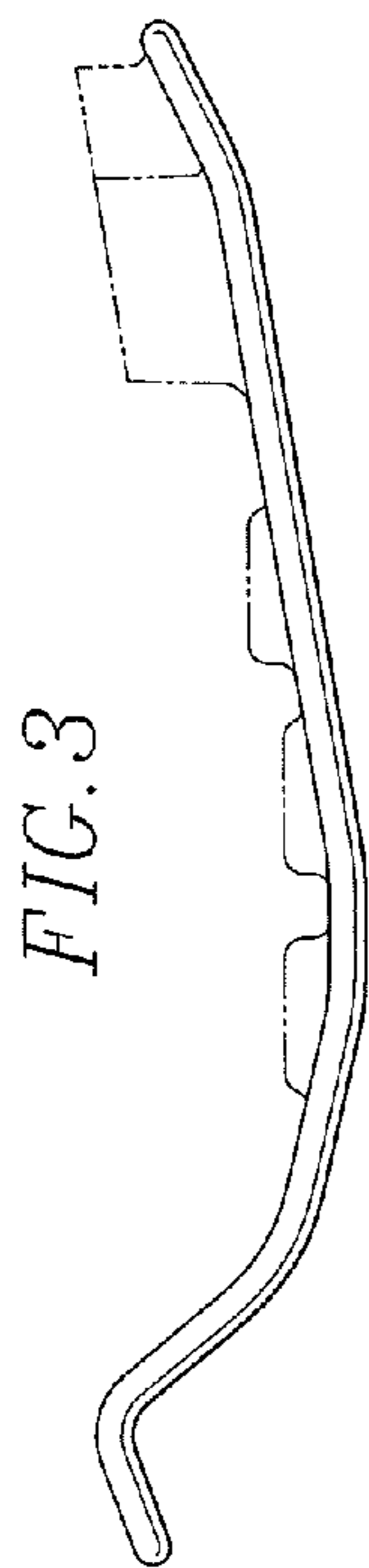


FIG. 2

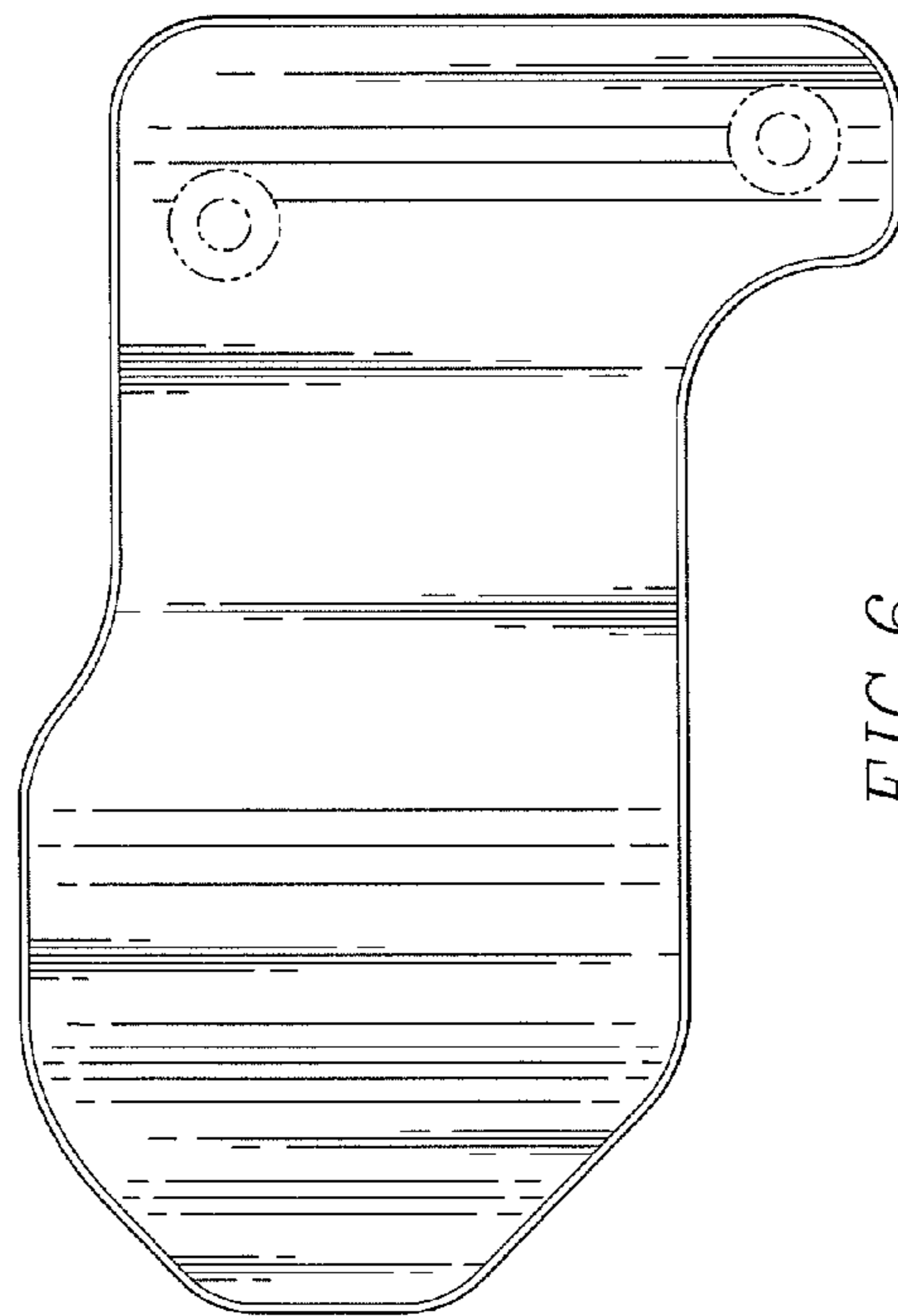


FIG. 6

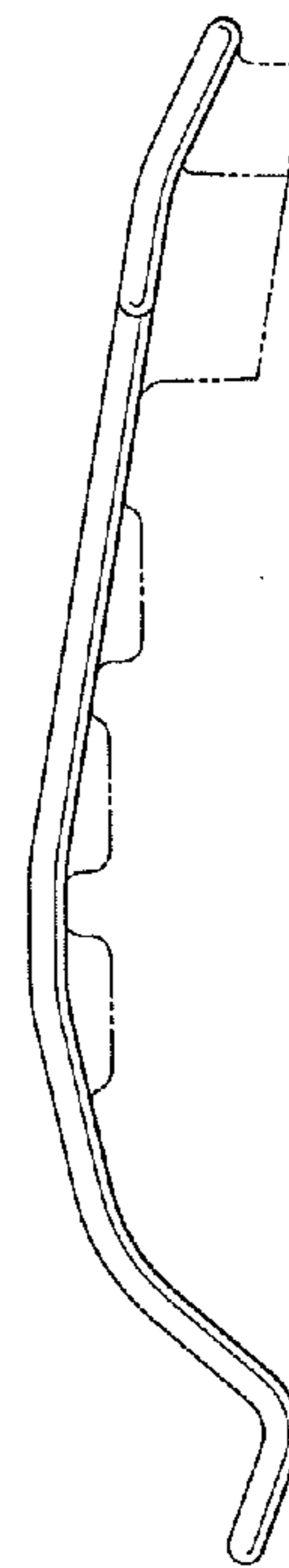


FIG. 5

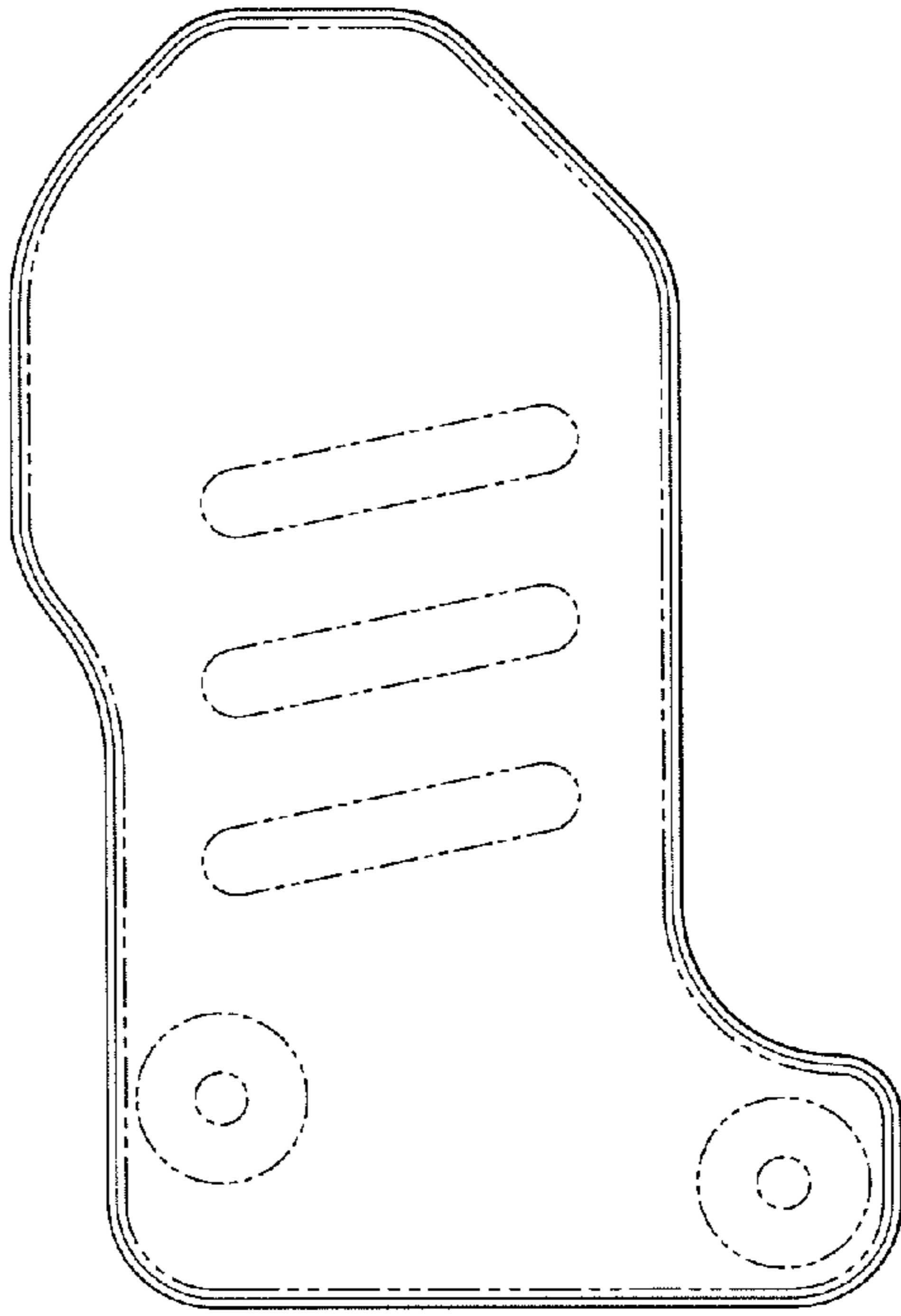


FIG. 7

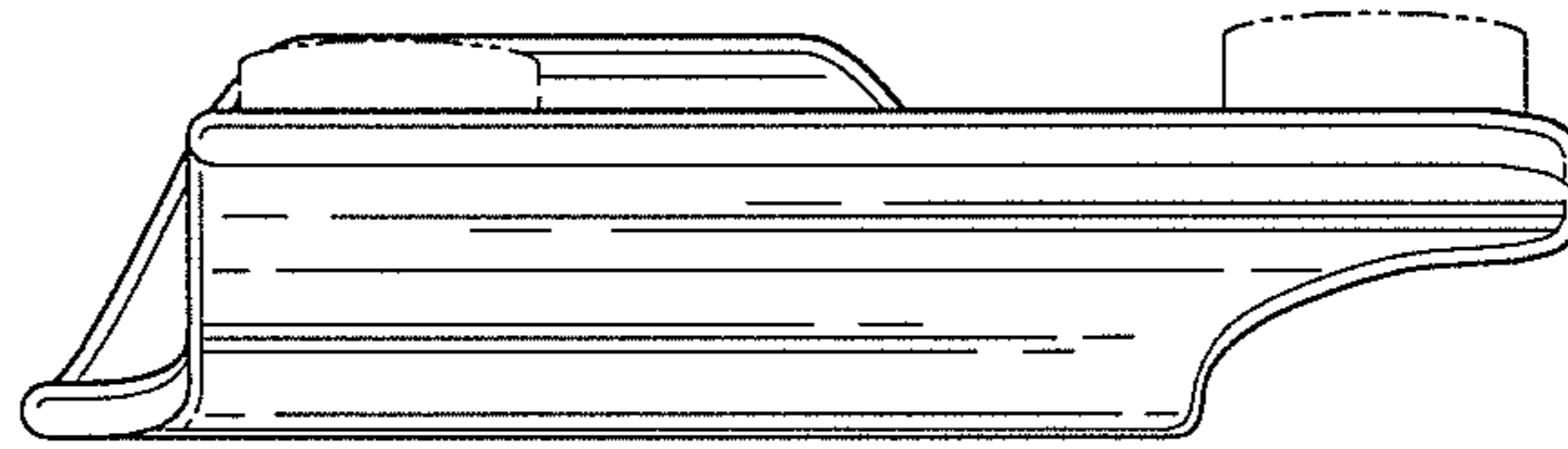


FIG. 4

