

US00D725209S

(12) **United States Design Patent**
Wampold

(10) **Patent No.:** **US D725,209 S**
(45) **Date of Patent:** **** Mar. 24, 2015**

(54) **FLOAT**

(71) Applicant: **Big Mouth Toys, Inc.**, Glastonbury, CT
(US)

(72) Inventor: **Stephen Wampold**, Glastonbury, CT
(US)

(73) Assignee: **Bigmouth, Inc.**, Glastonbury, CT (US)

(**) Term: **14 Years**

(21) Appl. No.: **29/486,806**

(22) Filed: **Apr. 2, 2014**

(51) **LOC (10) Cl.** **21-02**

(52) **U.S. Cl.**
USPC **D21/803**

(58) **Field of Classification Search**
CPC B63B 35/74; B63B 35/76; B63B 35/78;
B63B 35/79; B63B 35/7906; B63B 35/7909;
B63B 35/7913; B63B 35/7916; B63B 35/792;
B63B 35/7923; B63B 35/7926; B63B 35/793
USPC D21/769-770, 801, 803, 809; 114/253,
114/345-346; 441/35, 66, 74, 40-42,
441/129-132; 472/128-129; D12/5, 6, 316;
D6/392, 595, 596, 601, 604, 605

See application file for complete search history.

(56) **References Cited**

U.S. PATENT DOCUMENTS

D315,592 S *	3/1991	Tager et al.	D21/803
D340,495 S *	10/1993	Mitch et al.	D21/803
D390,619 S *	2/1998	Peterson	D21/809
D393,038 S *	3/1998	Peterson	D21/803
D393,680 S *	4/1998	Peterson	D21/809
D476,712 S *	7/2003	Peterson	D21/803
D496,977 S *	10/2004	Peterson	D21/803

* cited by examiner

Primary Examiner — Zenia Bennett

(74) *Attorney, Agent, or Firm* — Epstein Drangel LLP;
Robert L. Epstein

(57) **CLAIM**

The ornamental design for a float, substantially as shown and described.

DESCRIPTION

FIG. 1 is an isometric view showing the front, top and one side of my design;

FIG. 2 is a front elevation view of my design;

FIG. 3 is a rear elevation view of my design;

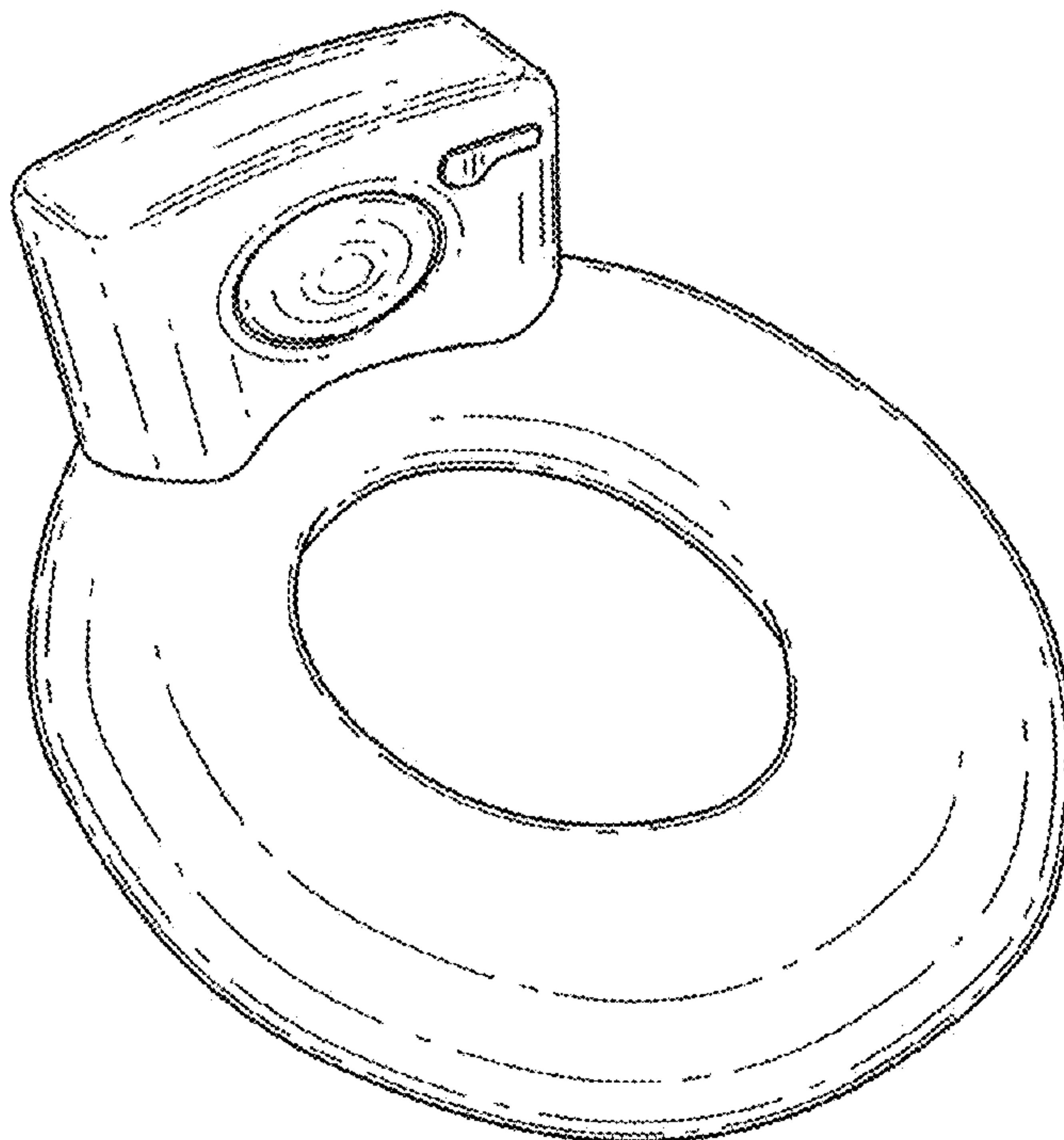
FIG. 4 is an elevation view showing one side of my design;

FIG. 5 is an elevation view showing the other side of my design;

FIG. 6 is a top elevation view of my design; and,

FIG. 7 is a bottom elevation view of my design.

1 Claim, 3 Drawing Sheets



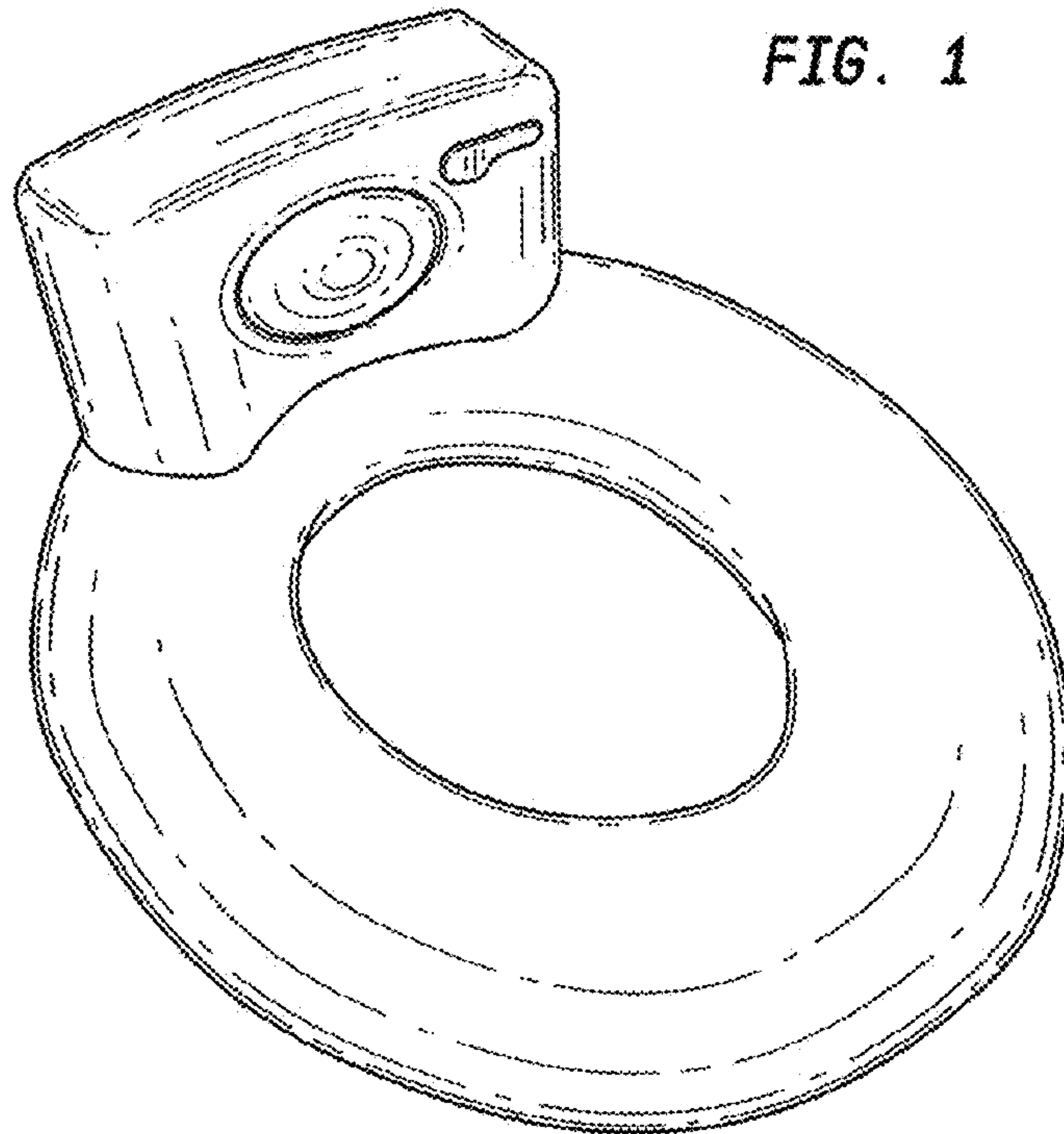


FIG. 1

FIG. 2

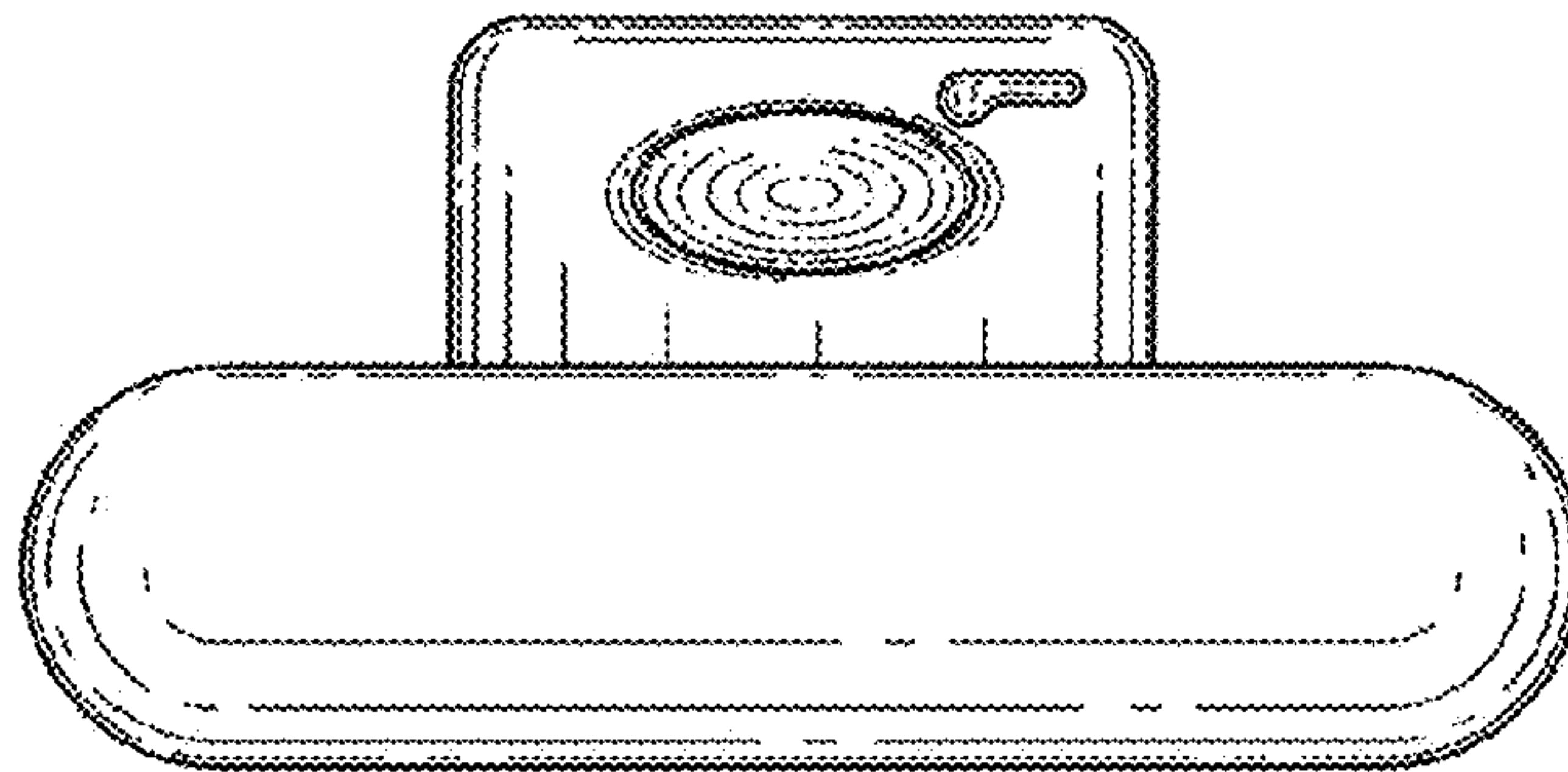


FIG. 3

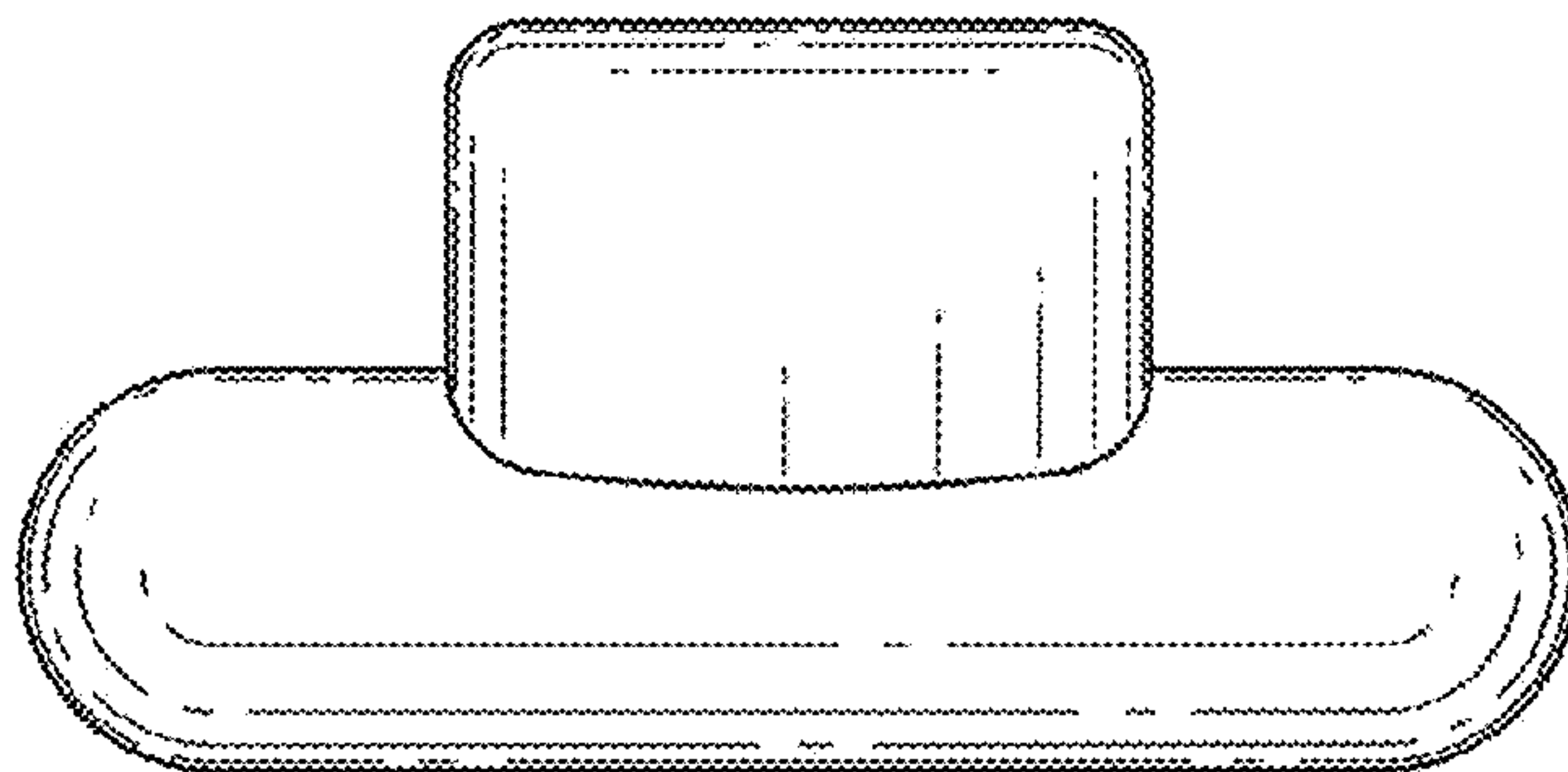


FIG. 4

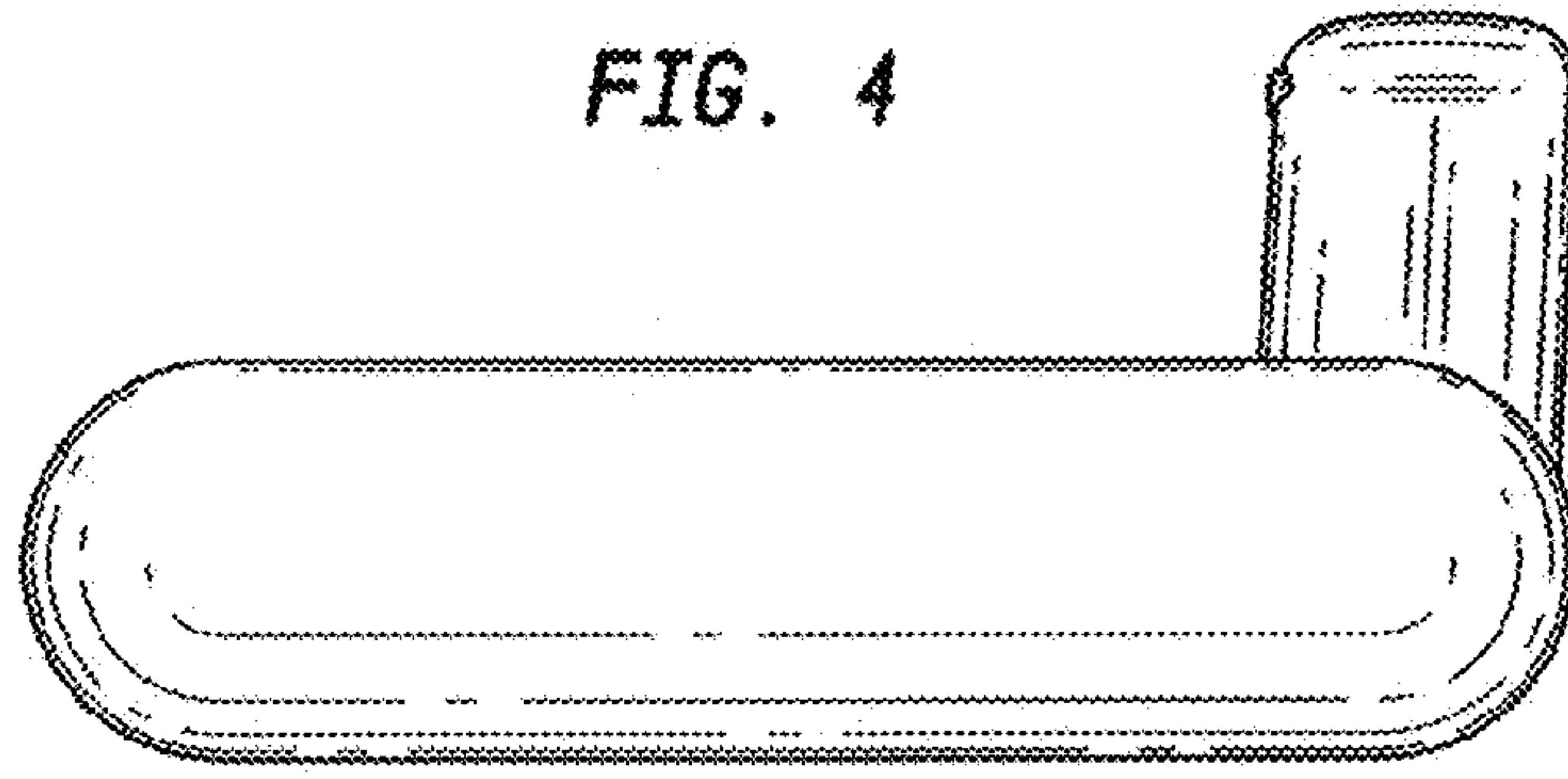


FIG. 5

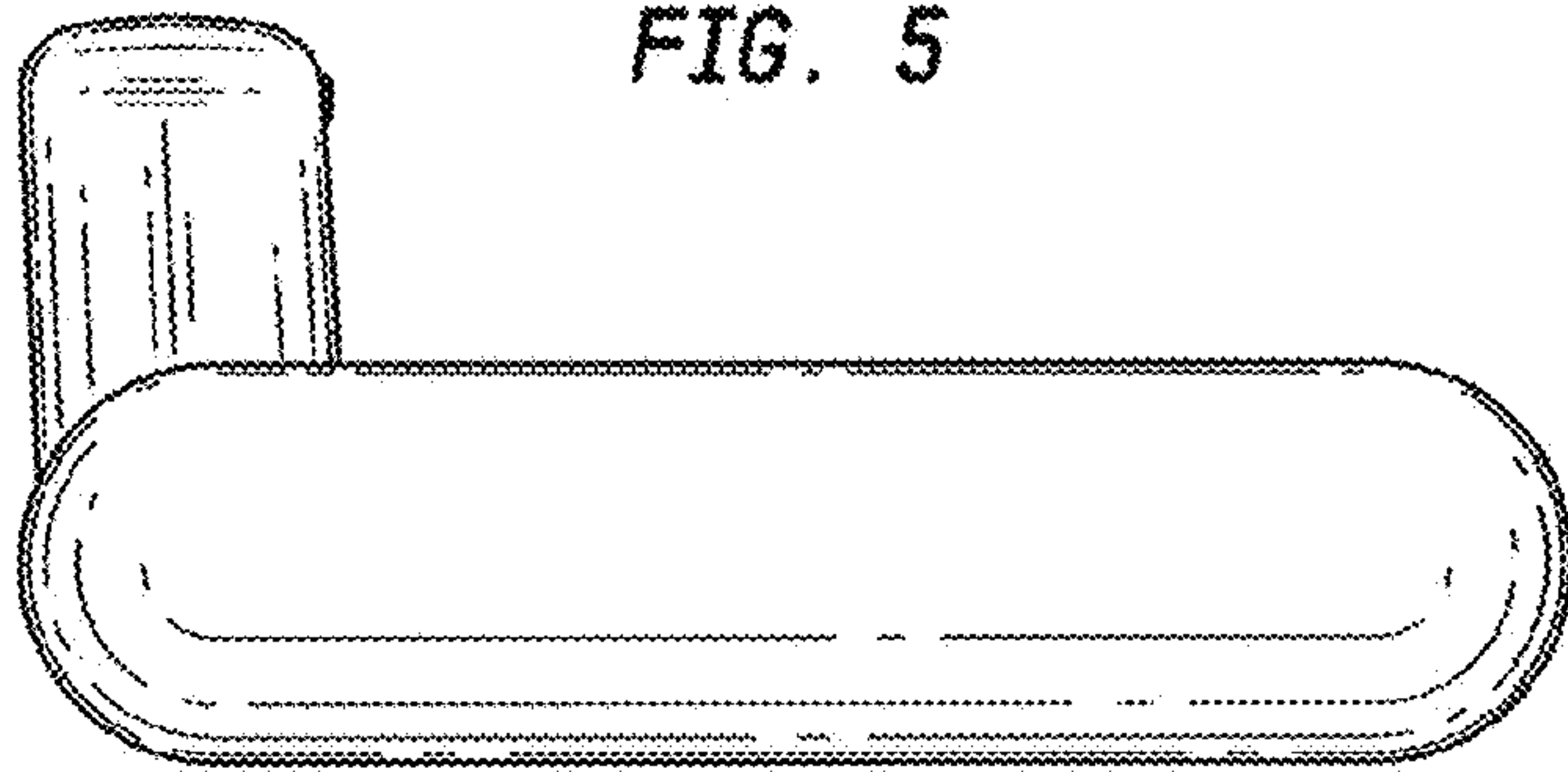


FIG. 6

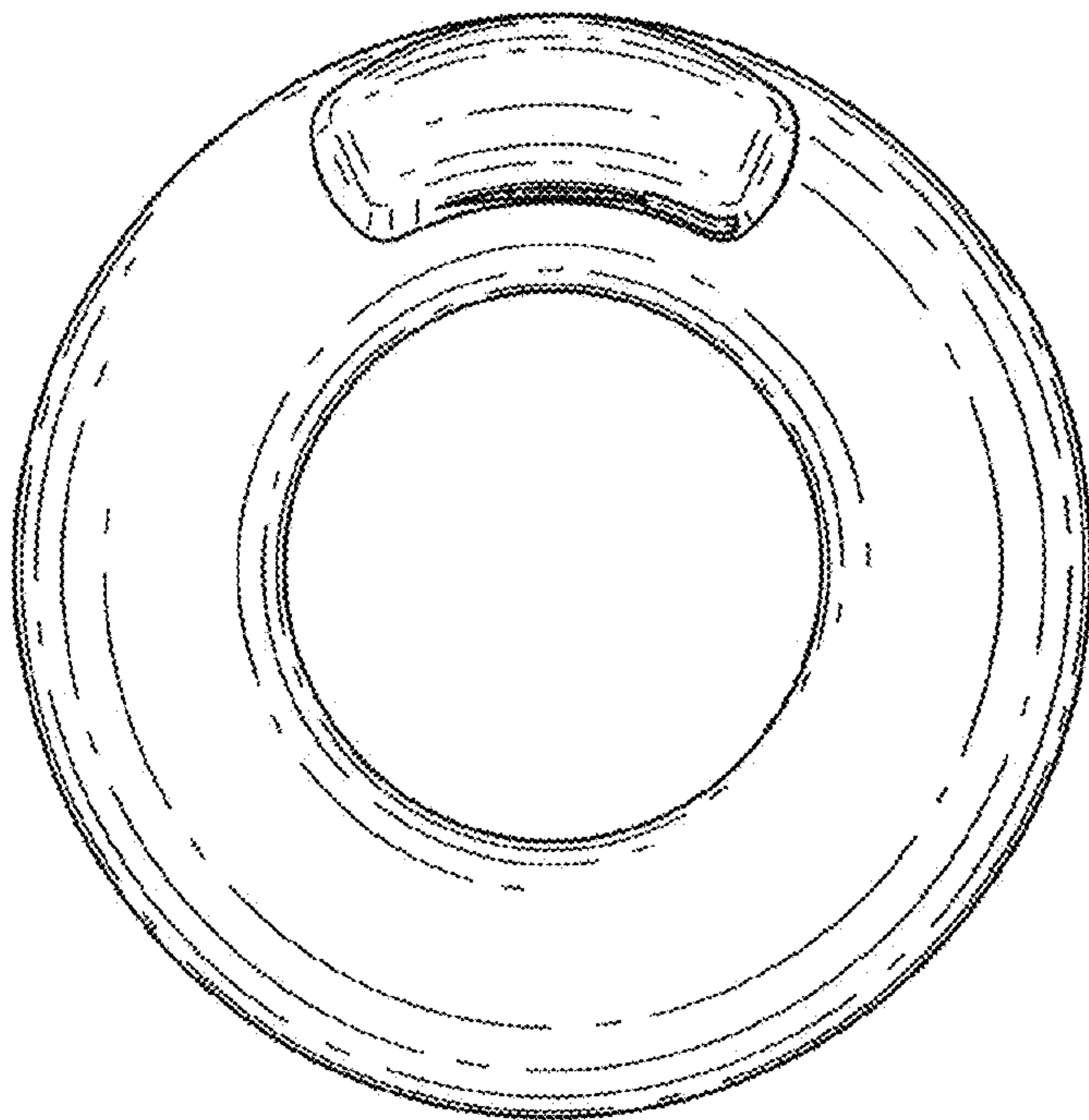


FIG. 7

