



US00D725207S

(12) **United States Design Patent**  
**Gubany**

(10) **Patent No.:** **US D725,207 S**  
(45) **Date of Patent:** **\*\* Mar. 24, 2015**

(54) **GOLF CLUB**

(71) Applicant: **Peter M. Gubany**, Ellisville, MO (US)

(72) Inventor: **Peter M. Gubany**, Ellisville, MO (US)

(\*\*) Term: **14 Years**

(21) Appl. No.: **29/481,025**

(22) Filed: **Jan. 31, 2014**

(51) **LOC (10) Cl.** ..... **21-02**

(52) **U.S. Cl.**  
USPC ..... **D21/738**

(58) **Field of Classification Search**  
USPC ..... D21/736-746, 759; 473/324-331,  
473/340-341, 251-256  
See application file for complete search history.

(56) **References Cited**

**U.S. PATENT DOCUMENTS**

D213,055 S *	12/1968	Karban, Jr. ....	D21/738
4,878,671 A	11/1989	Gubany	
D325,949 S *	5/1992	Harris, Jr. ....	D21/741
5,230,511 A	7/1993	Gubany	
D351,643 S *	10/1994	Gubany ....	D21/738
5,354,061 A	10/1994	Gubany	
D375,131 S *	10/1996	Williams ....	D21/743
D388,852 S *	1/1998	Giordano ....	D21/746
D405,491 S *	2/1999	Bizovi ....	D21/744

\* cited by examiner

*Primary Examiner* — Mitchell Siegel

(74) *Attorney, Agent, or Firm* — Armstrong Teasdale LLP

(57) **CLAIM**

We claim the ornamental design for a golf club, as shown and described.

**DESCRIPTION**

FIG. 1 is a front perspective view of a golf club showing our new design;

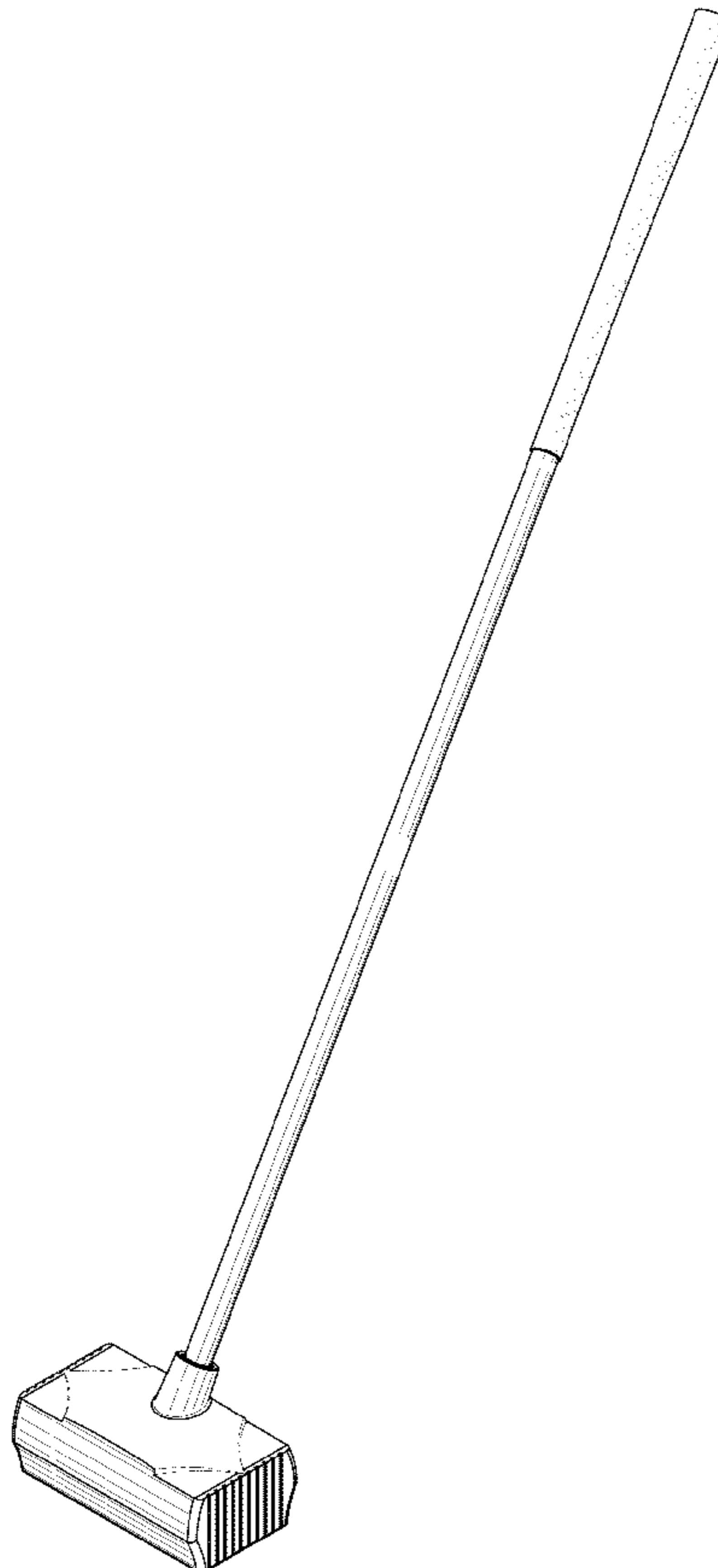
FIG. 2 is a front view of the golf club design shown in FIG. 1; FIG. 3 is a back view of the golf club design shown in FIG. 1; FIG. 4 is a left view of the golf club design shown in FIG. 1; FIG. 5 is a right view of the golf club design shown in FIG. 1; FIG. 6 is a top view of the golf club design shown in FIG. 1; FIG. 7 is a bottom view of the golf club design shown in FIG. 1; and

FIG. 8 is an enlarged front perspective view of a portion of the golf club shown in FIG. 1; and,

FIG. 9 is an enlarged front view of a portion of the golf club shown in FIG. 1.

In these drawings, the solid lines illustrate the claimed ornamental design, whereas the broken lines illustrate unclaimed environmental features and form no part of the claimed design.

**1 Claim, 9 Drawing Sheets**



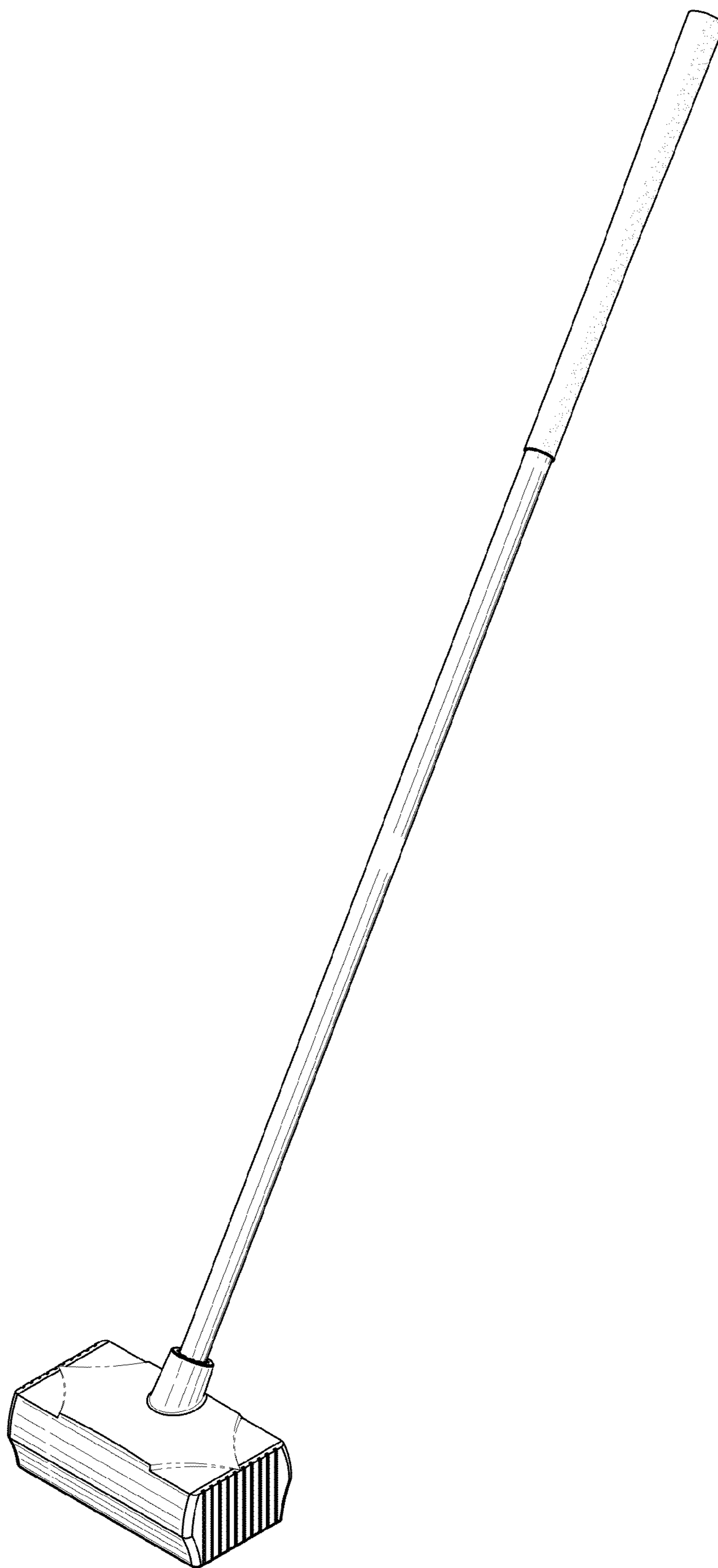


FIG. 1

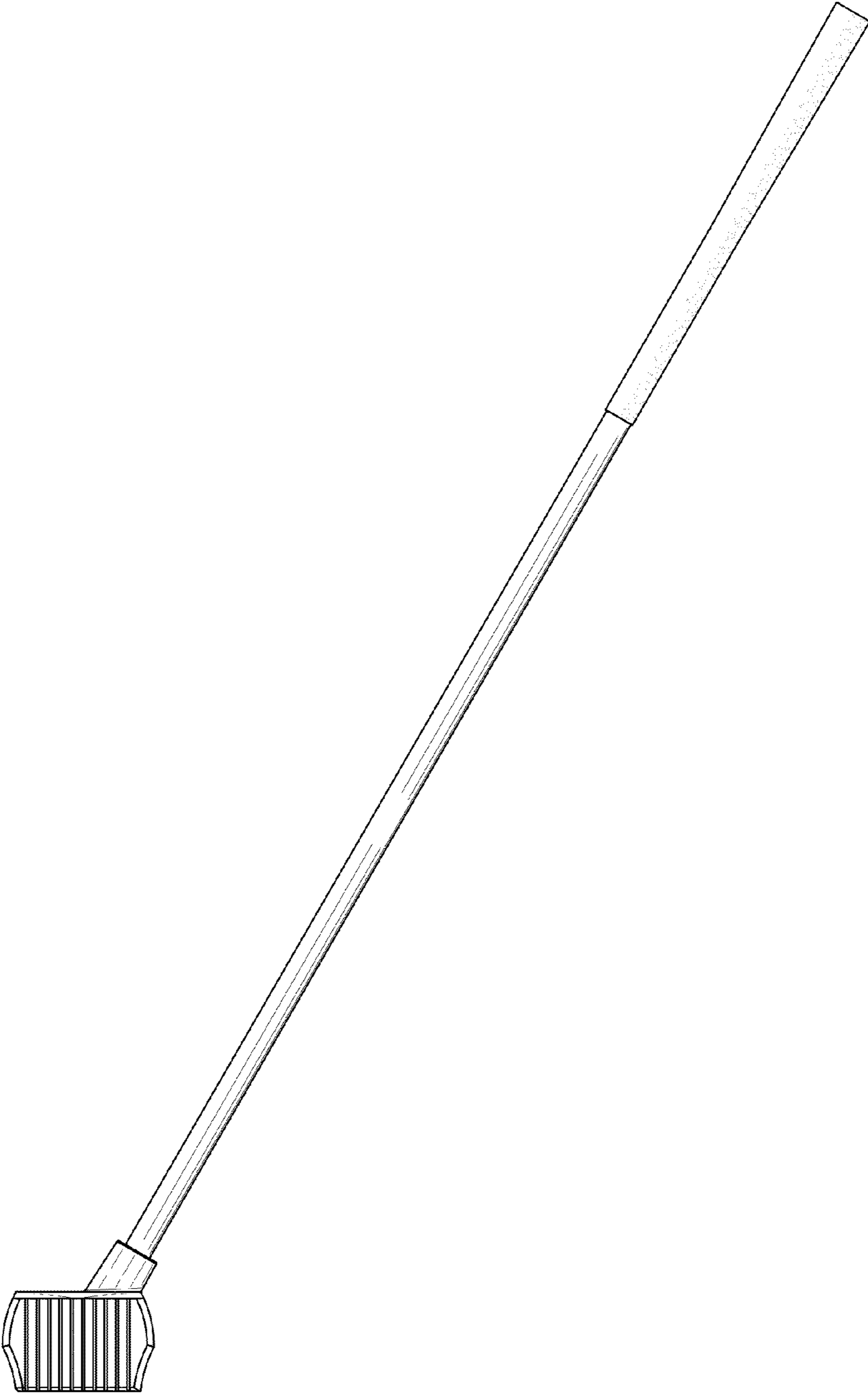


FIG. 2

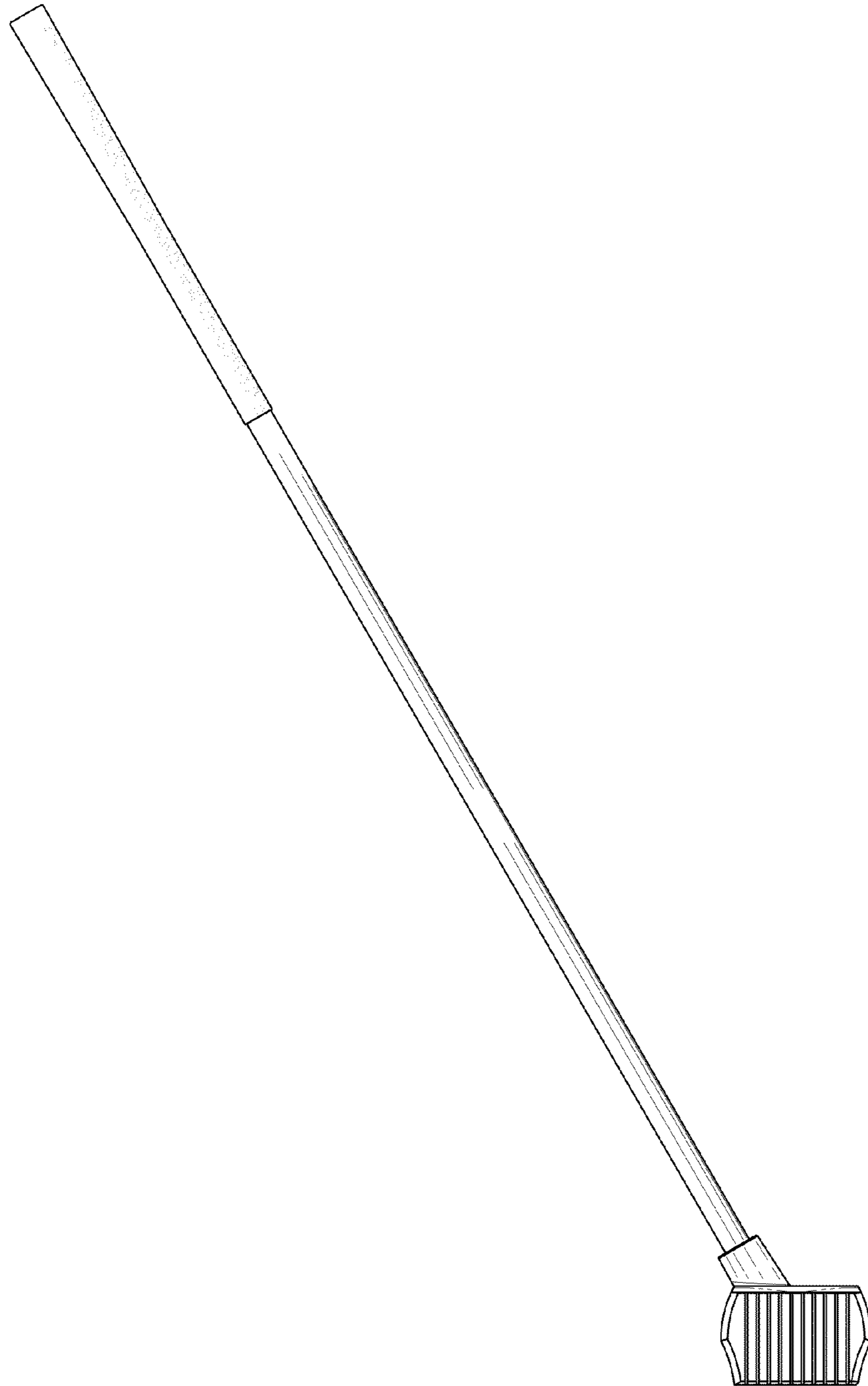


FIG. 3

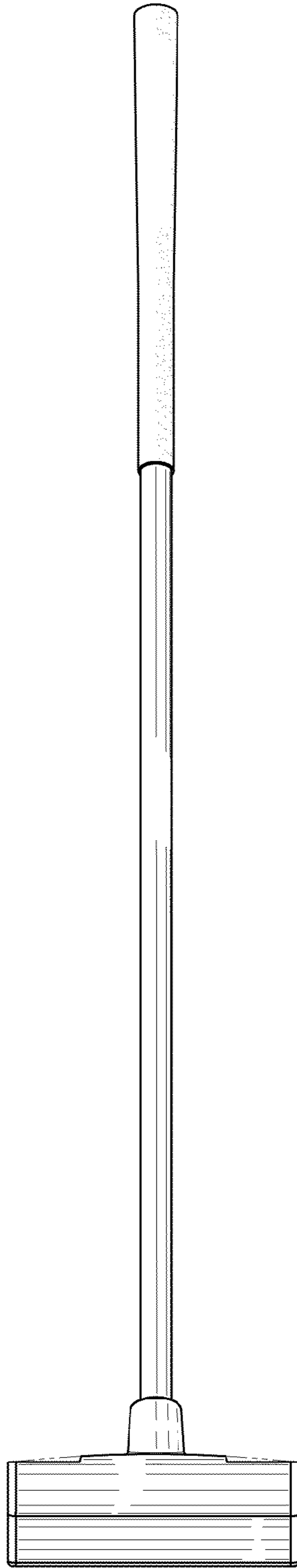


FIG. 4

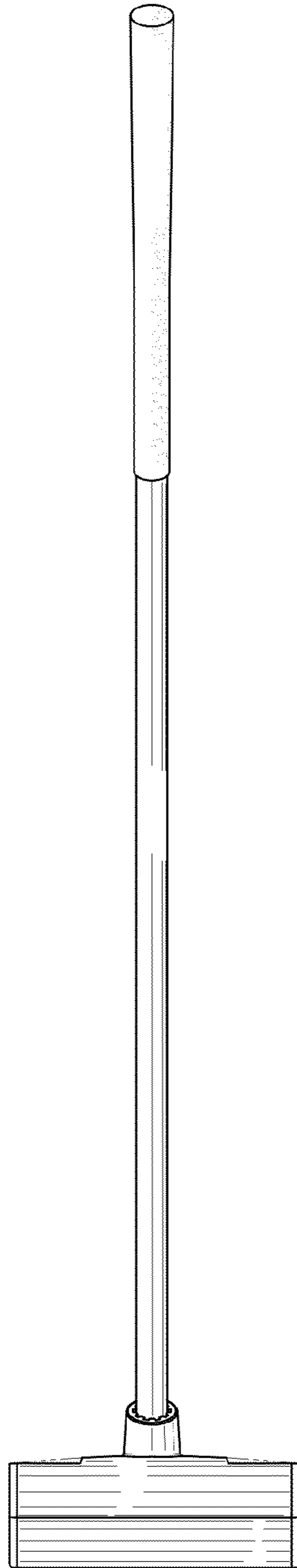


FIG. 5

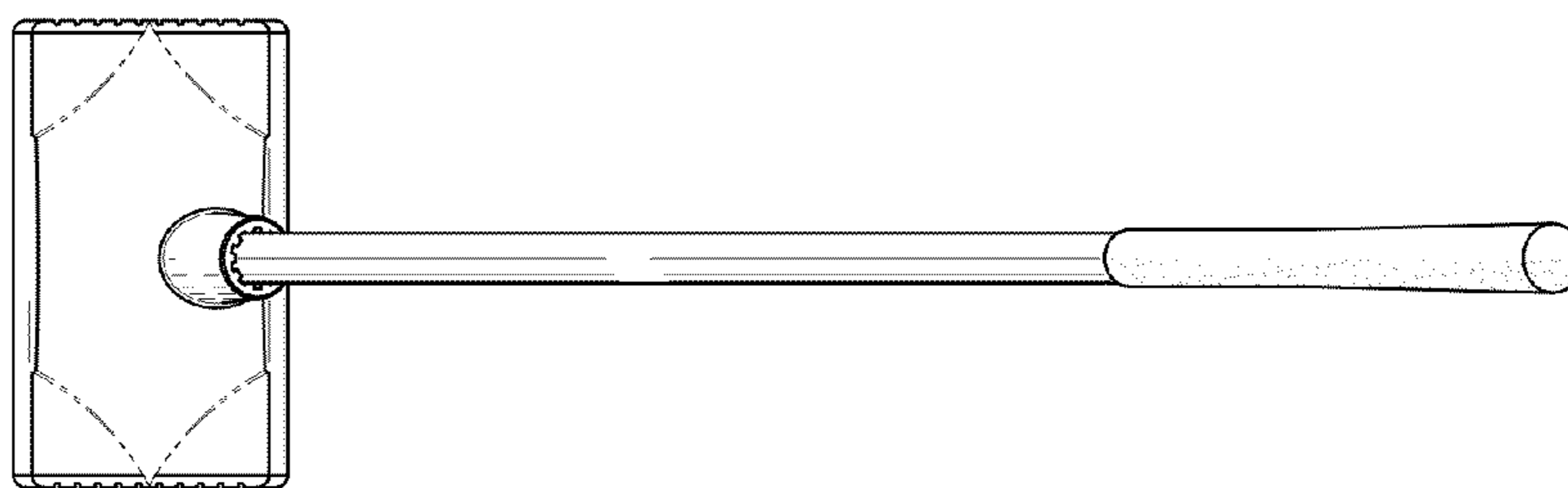


FIG. 6

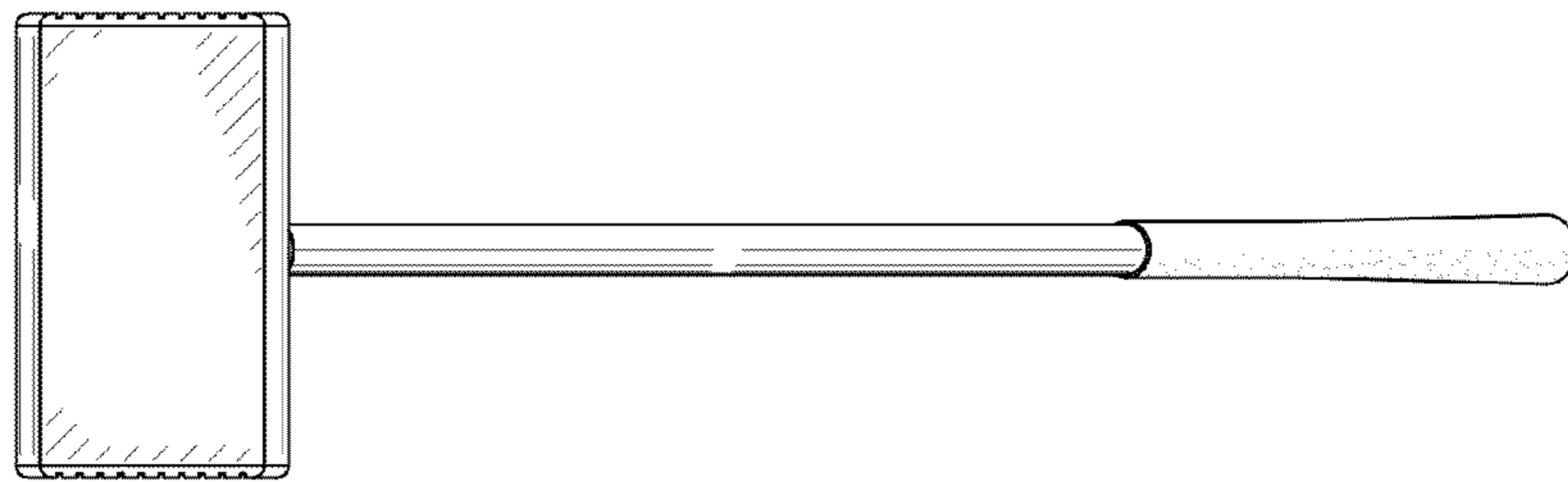


FIG. 7



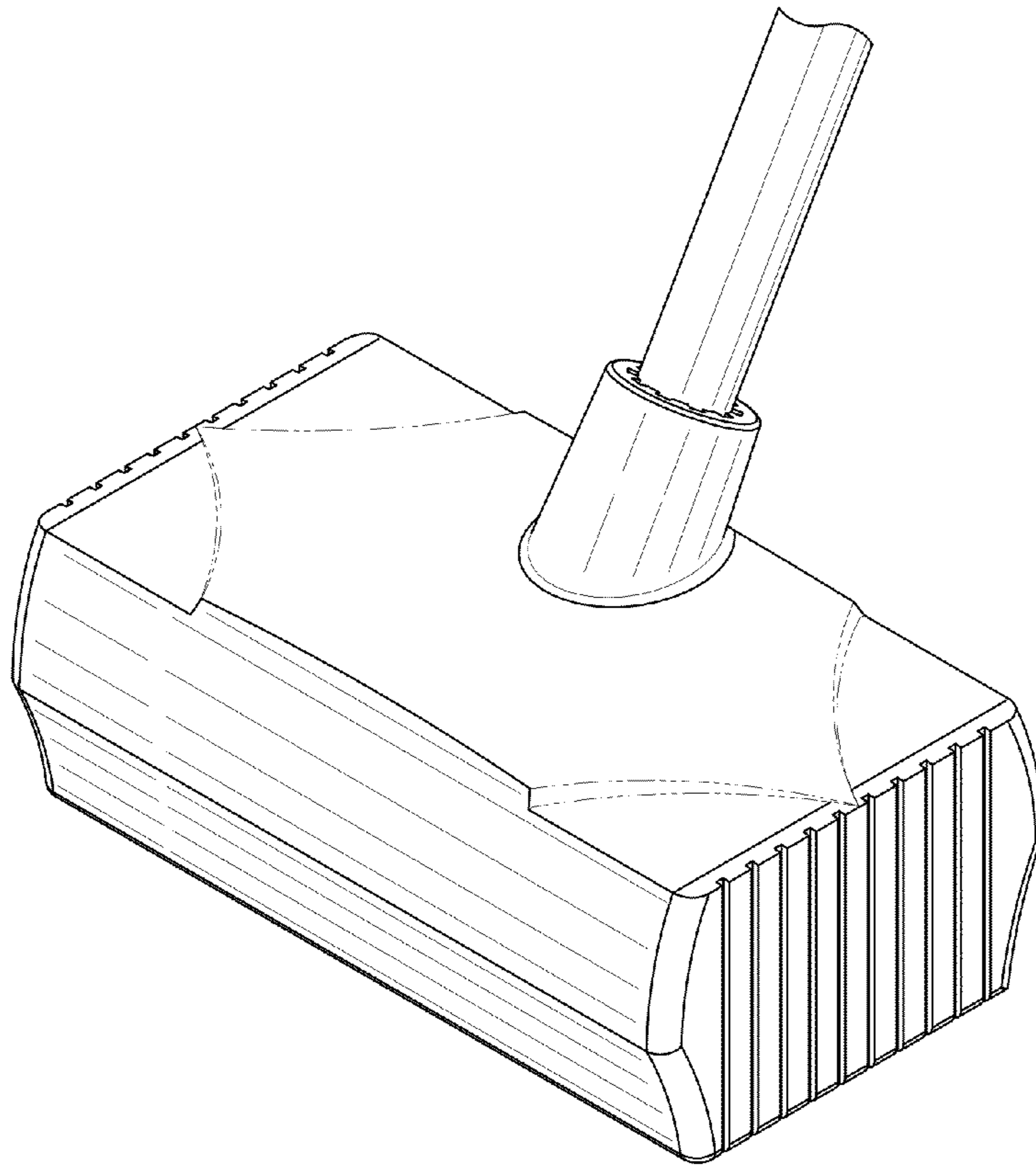


FIG. 8

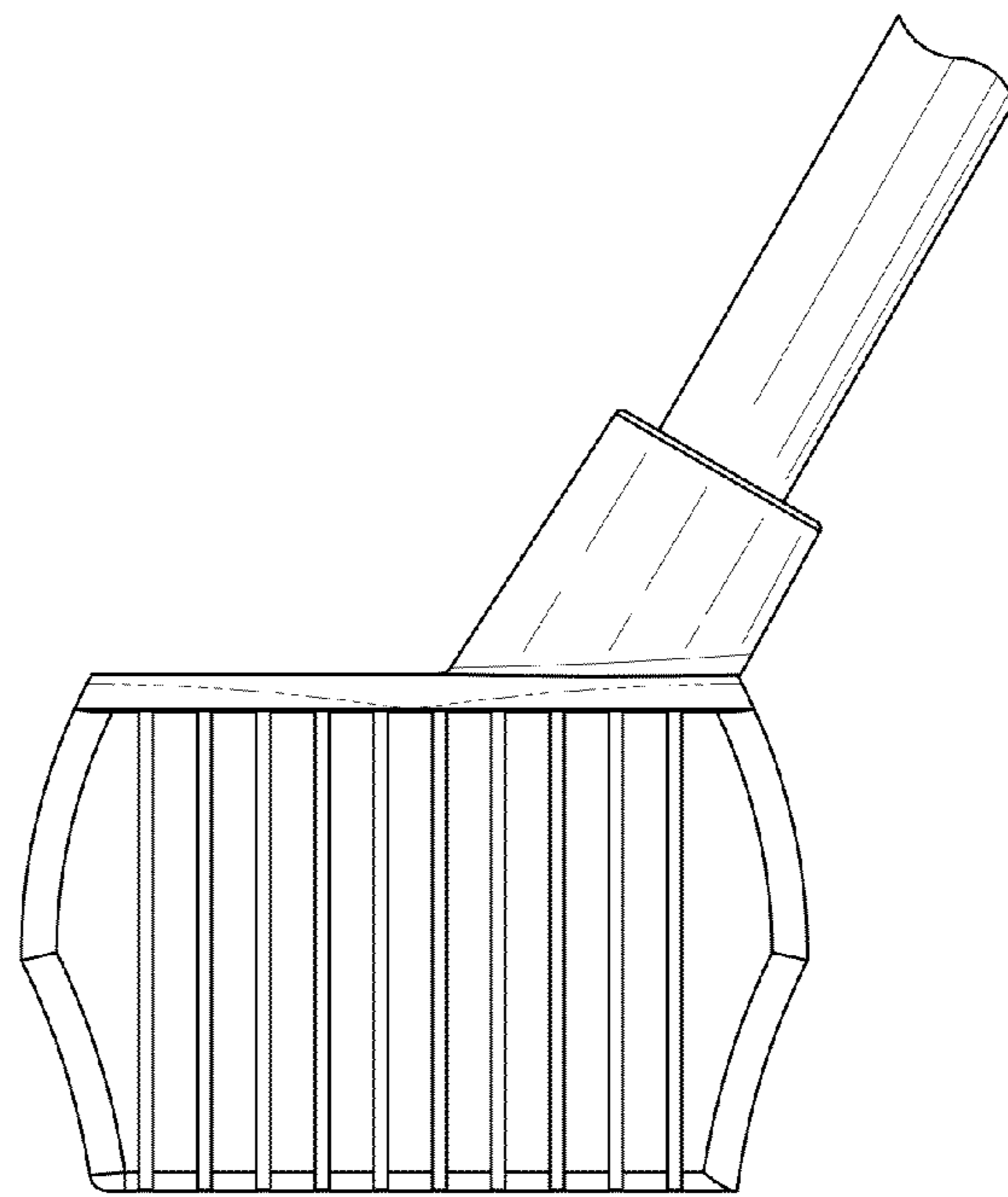


FIG. 9