



US00D725203S

(12) **United States Design Patent**  
**Skretting**

(10) **Patent No.:** **US D725,203 S**

(45) **Date of Patent:** **\*\* Mar. 24, 2015**

(54) **BALANCING CHAIR FOR EXERCISING**

(56) **References Cited**

(71) Applicant: **Rodeo Holding AS**, Naerbo (NO)

U.S. PATENT DOCUMENTS

(72) Inventor: **Frode Skretting**, Varhaug (NO)

5,690,389 A \* 11/1997 Ekman et al. .... 297/452.41

D451,422 S \* 12/2001 Wenrich ..... D11/26

6,551,225 B1 \* 4/2003 Romero ..... 482/146

D648,813 S \* 11/2011 Dedvukaj ..... D21/692

8,056,976 B1 \* 11/2011 Polk ..... 297/271.5

D651,671 S \* 1/2012 Ross et al. .... D21/680

D684,880 S \* 6/2013 Matysik ..... D11/26

D698,875 S \* 2/2014 Childs ..... D21/662

2013/0005550 A1 \* 1/2013 Nagy ..... 482/146

2014/0210249 A1 \* 7/2014 Barnett ..... 297/452.41

(73) Assignee: **Rodeo Holding AS**, Naerbo (NO)

(\*\*) Term: **14 Years**

(21) Appl. No.: **29/488,315**

(22) Filed: **Apr. 17, 2014**

\* cited by examiner

(30) **Foreign Application Priority Data**

Oct. 18, 2013 (NO) ..... 20131023

(51) **LOC (10) Cl.** ..... **21-02**

(52) **U.S. Cl.**  
USPC ..... **D21/662**

(58) **Field of Classification Search**  
CPC ..... A63B 23/0211; A63B 2225/62; A63B  
41/00; A63B 21/0442; C08F 10/00

USPC ..... 482/142, 112, 93, 140, 91, 148, 146,  
482/52, 147, 121, 139, 14, 34, 79, 145, 44,  
482/77, 49, 7, 3, 47; D21/662, 713, 680,  
D21/692, 686, 688; D30/117; 691/23;  
473/596, 614, 422, 595; 297/311,  
297/354.1, 411.3, 452.1, 452.41, 271.5,  
297/258.1, 270.1, 270.5, 344.1, 451.13,  
297/452.17; 248/599; 601/129, 131, 40,  
601/120, 134, 135; 73/379.01, 379.08,  
73/379.09; 340/323 R, 384.71; D6/661.3;  
273/342; 267/137, 153; 173/162.2;  
30/383; 200/18, 6 A; D11/26; D32/40;  
D3/215; D24/200; 5/636

See application file for complete search history.

*Primary Examiner* — Robert M Spear

*Assistant Examiner* — Ryan Harvey

(74) *Attorney, Agent, or Firm* — Andrus Intellectual  
Property Law, LLP

(57) **CLAIM**

The ornamental design for a balancing chair for exercising, as shown and described.

**DESCRIPTION**

FIG. 1 is a front left perspective view of a balancing chair for exercising;

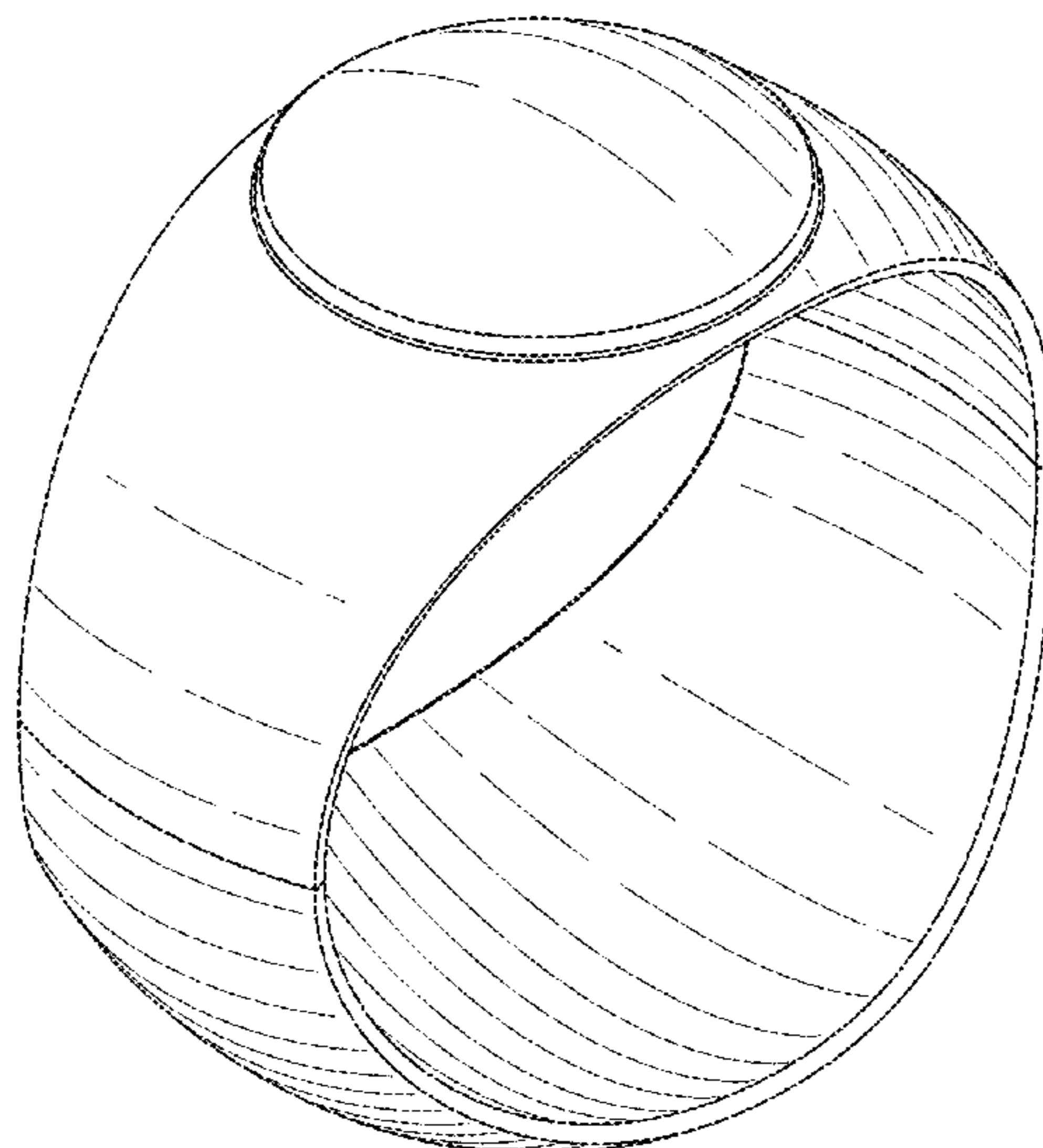
FIG. 2 is a front perspective view looking down at the balancing chair for exercising;

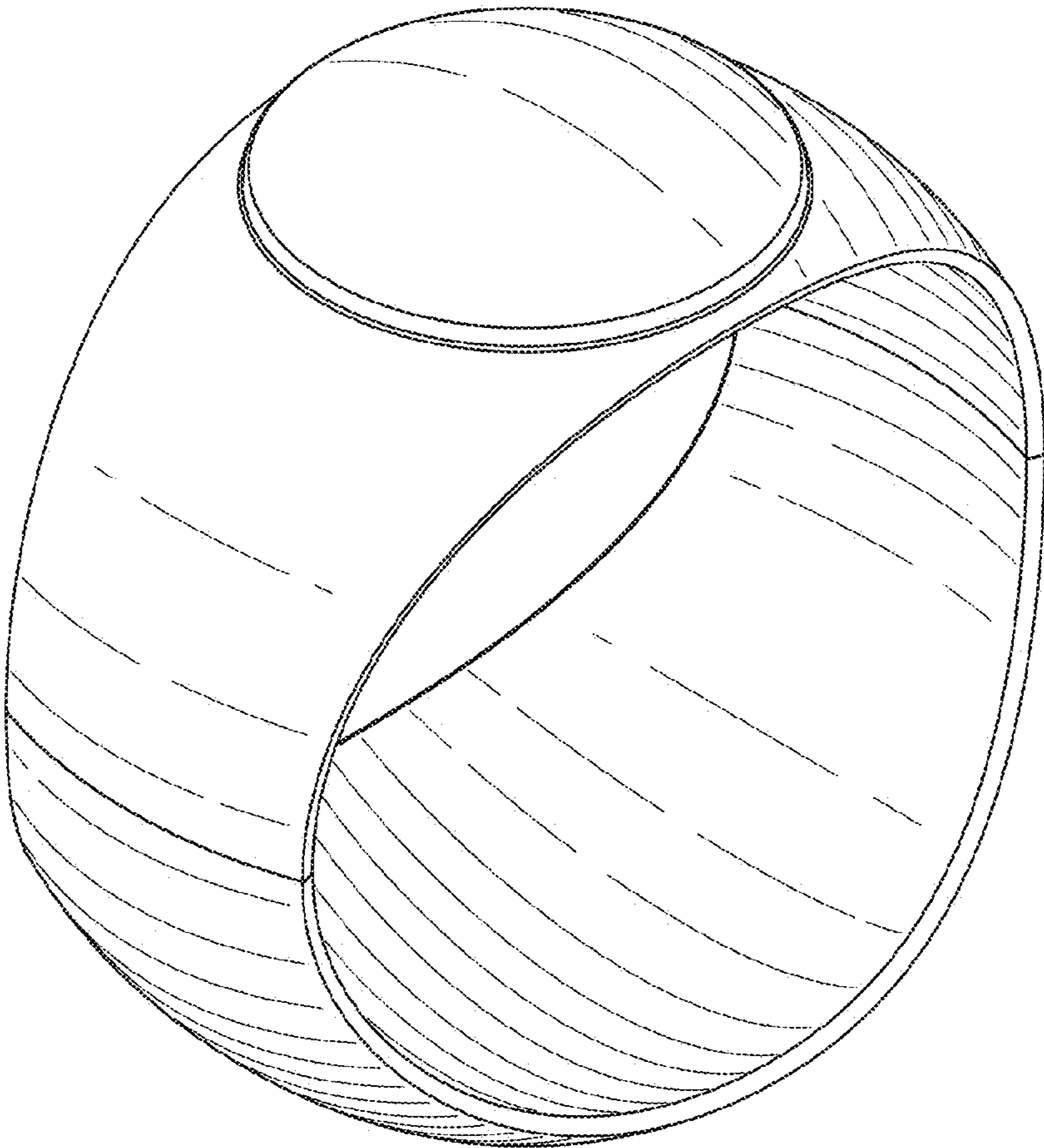
FIG. 3 is a rear view of the balancing chair for exercising wherein the front view is a mirror image of the rear view;

FIG. 4 is a top view of the balancing chair for exercising; and,

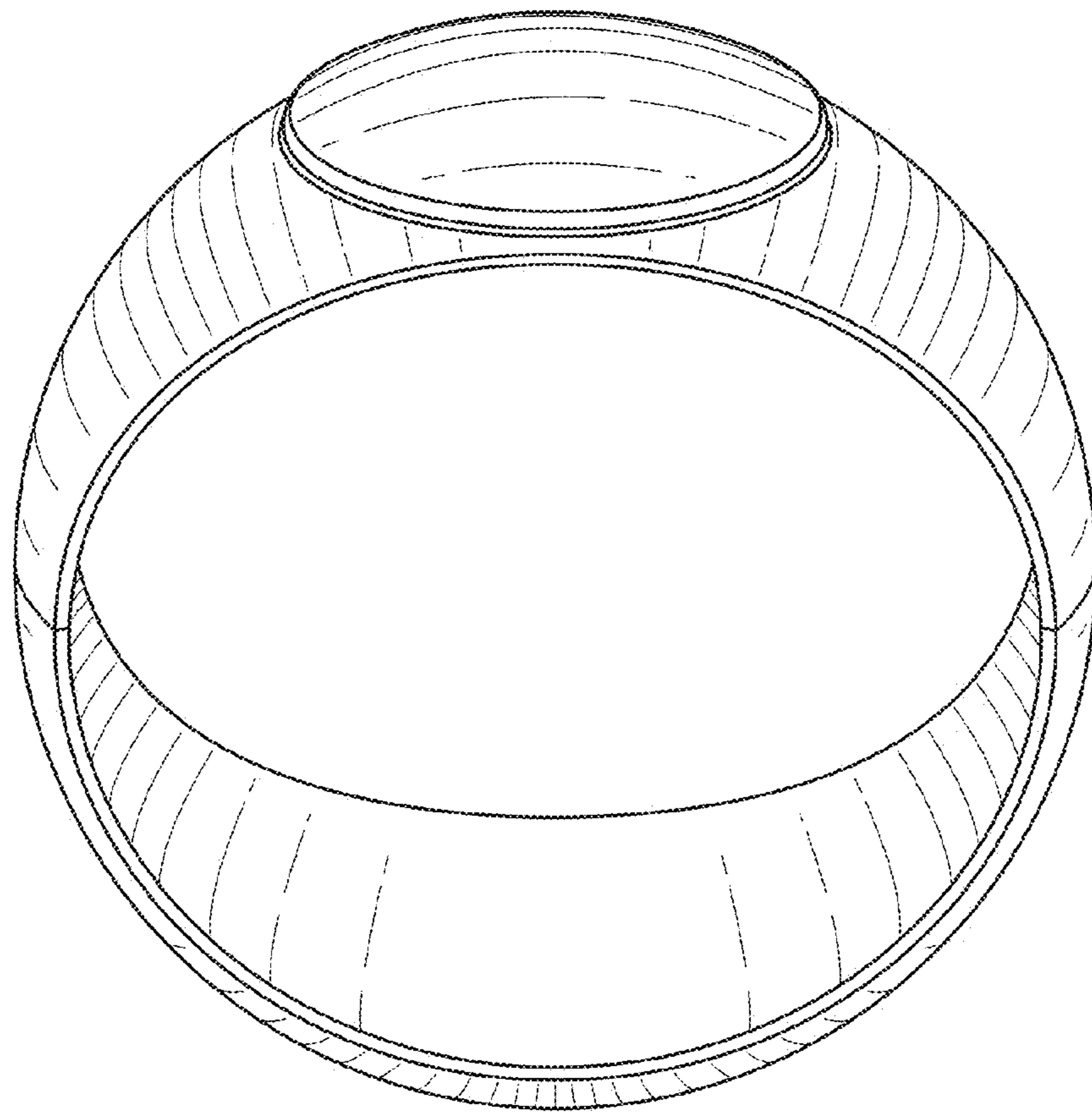
FIG. 5 is a right side view of the balancing chair for exercising wherein the left side view is a mirror image of the right side view.

**1 Claim, 4 Drawing Sheets**

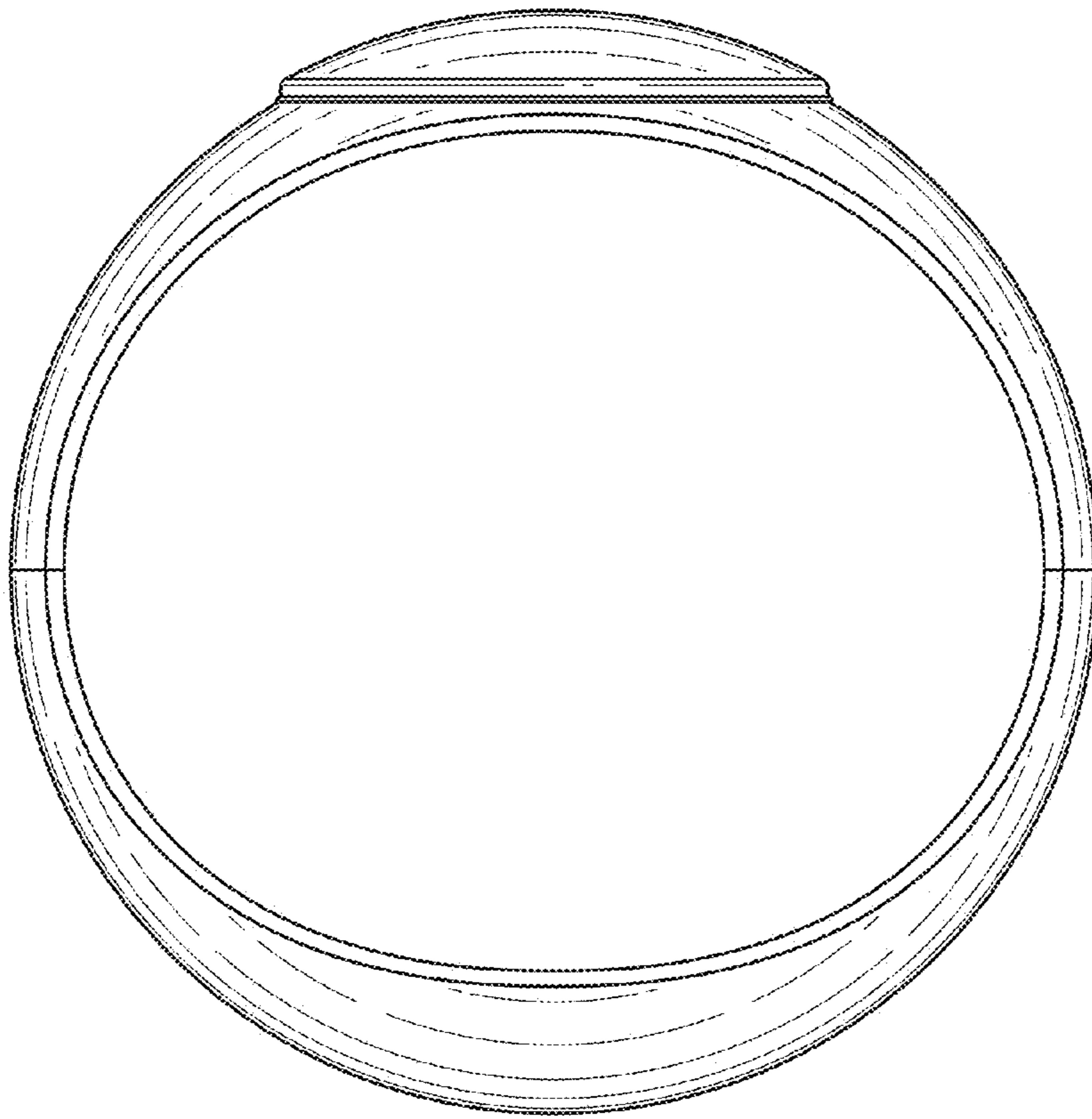




**FIG. 1**



**FIG. 2**



**FIG. 3**

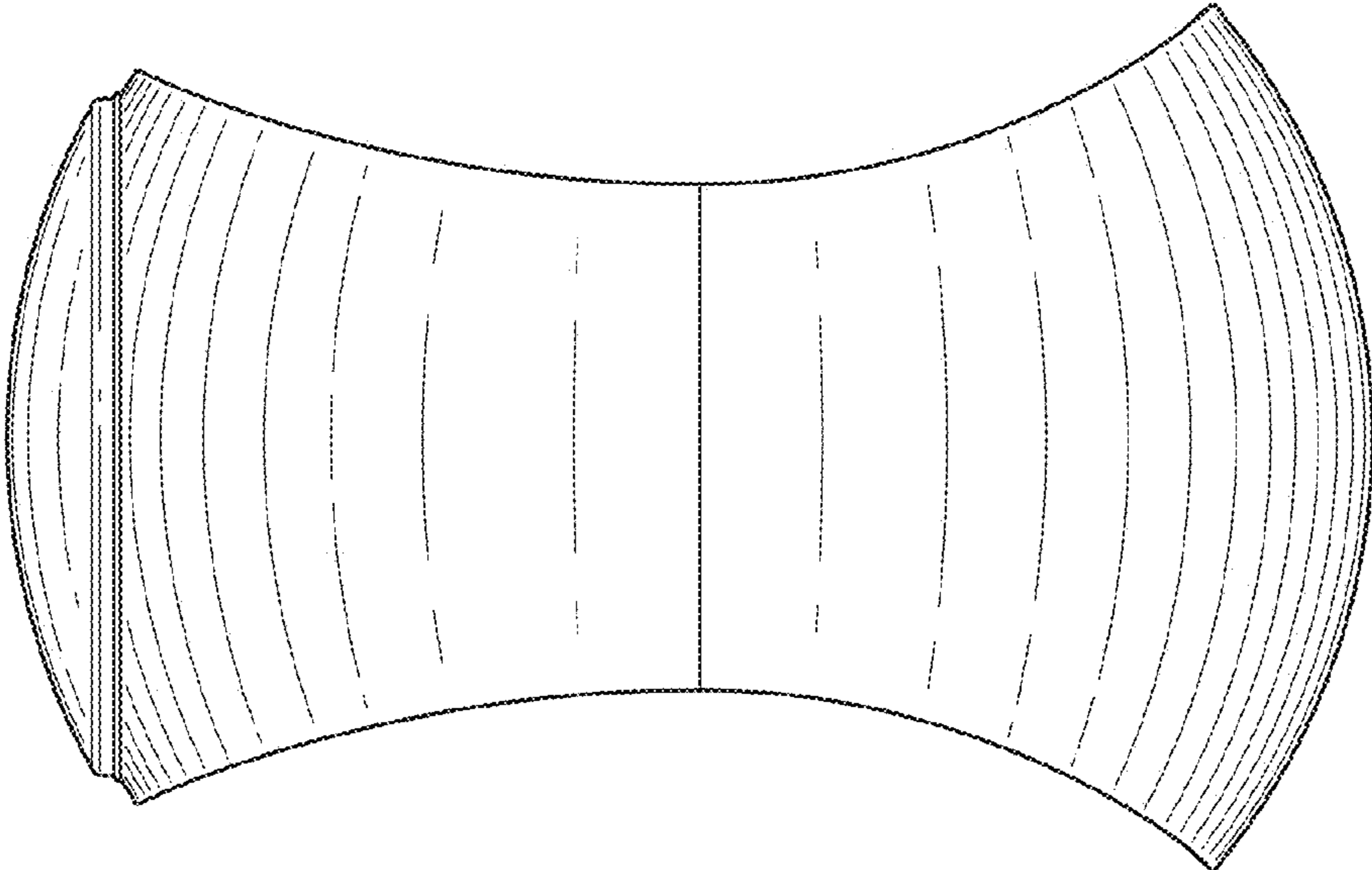


FIG. 5

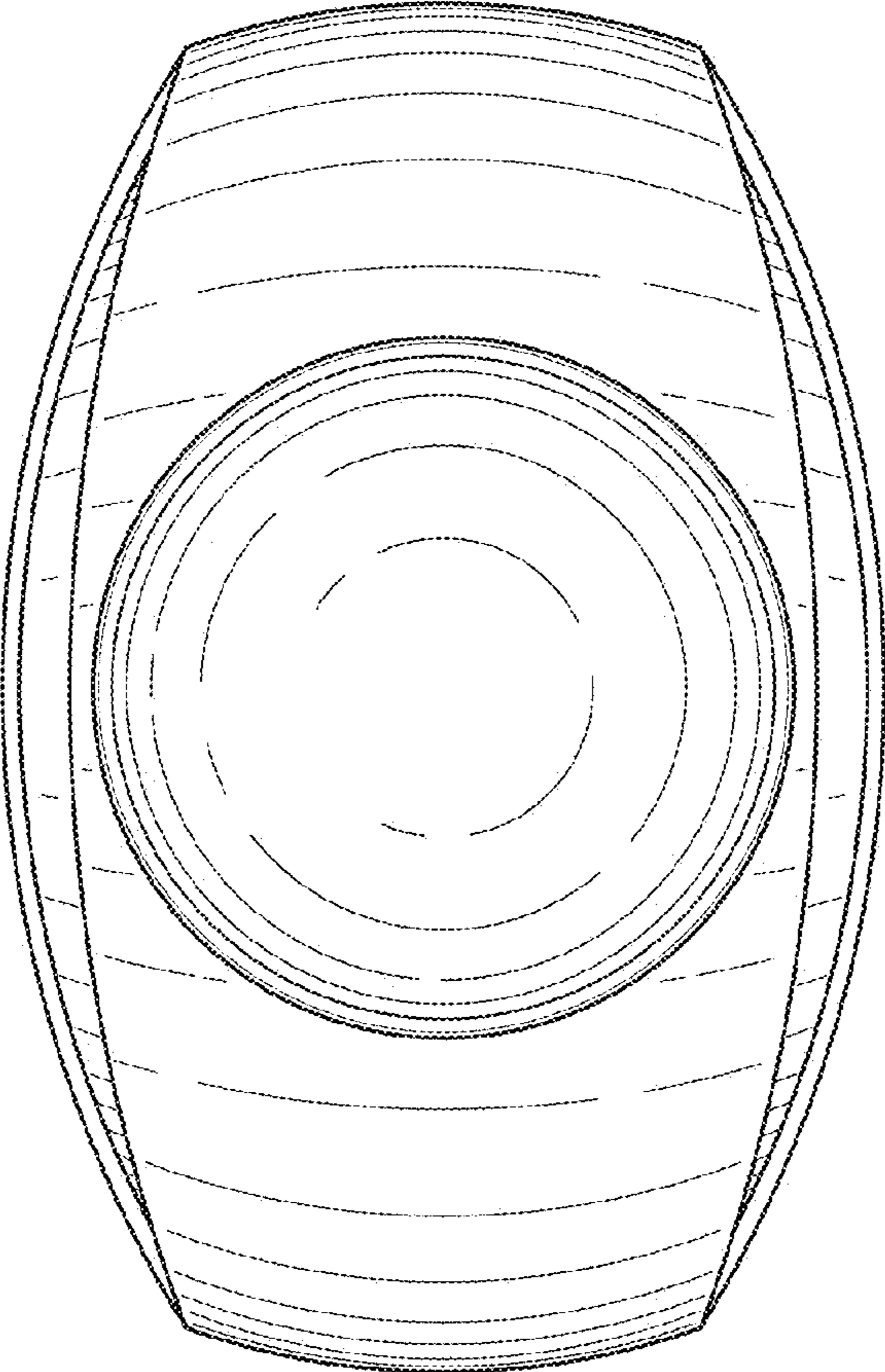


FIG. 4