



US00D725202S

(12) **United States Design Patent**  
**Hunt et al.**

(10) **Patent No.:** **US D725,202 S**

(45) **Date of Patent:** **\*\* Mar. 24, 2015**

(54) **FITNESS BATON**

(71) Applicant: **The Wild Gym Company**, Fort Collins,  
CO (US)

(72) Inventors: **David Hunt**, Fort Collins, CO (US);  
**Daniel Vinson**, Boulder, CO (US)

(73) Assignee: **The Wild Gym Company**, Fort Collins,  
CO (US)

(\*\*) Term: **14 Years**

(21) Appl. No.: **29/473,448**

(22) Filed: **Nov. 21, 2013**

(51) **LOC (10) Cl.** ..... **21-02**

(52) **U.S. Cl.**  
USPC ..... **D21/662**

(58) **Field of Classification Search**  
USPC ..... D21/662, 679, 680, 694; 482/44, 74,  
482/91, 93, 106, 124, 126; 362/102;  
601/121

See application file for complete search history.

(56) **References Cited**

U.S. PATENT DOCUMENTS

4,733,861	A *	3/1988	Plunkett, III	482/126
5,307,251	A *	4/1994	Shaffer	362/102
5,422,796	A *	6/1995	Peebles et al.	362/102
D428,946	S *	8/2000	Boorstein	D21/679
6,106,438	A *	8/2000	Dean	482/44
D469,135	S *	1/2003	Bell	D21/662
6,764,456	B1 *	7/2004	Doherty	601/121
D546,402	S *	7/2007	Sonnier	D21/662
D579,990	S *	11/2008	Dalcourt	D21/680
D615,605	S *	5/2010	Frasco et al.	D21/694
D639,357	S *	6/2011	Brun	D21/679
D694,348	S *	11/2013	Rankin	D21/679

2002/0091045	A1 *	7/2002	Wince	482/106
2002/0193714	A1 *	12/2002	Pecora	601/121
2003/0199322	A1 *	10/2003	Parsons	463/47
2012/0262909	A1 *	10/2012	Campman	362/102
2013/0050993	A1 *	2/2013	Campman	362/102
2013/0055761	A1 *	3/2013	Alford et al.	63/4
2013/0252789	A1 *	9/2013	Hess	482/106
2014/0085897	A1 *	3/2014	Hakam et al.	362/253

\* cited by examiner

*Primary Examiner* — George D Kirschbaum

*Assistant Examiner* — Jennifer Watkins

(74) *Attorney, Agent, or Firm* — Martensen IP

(57) **CLAIM**

The ornamental design for the fitness baton, as shown and described.

**DESCRIPTION**

FIG. 1 is a front perspective view of the fitness baton with end caps removed.

FIG. 2 is front view of the fitness baton with end caps removed. The back view, not shown, is a mirror image of the front view.

FIG. 3 is an end view of the fitness baton with end caps removed. The other end, not shown, is a mirror image of the end shown in FIG. 3.

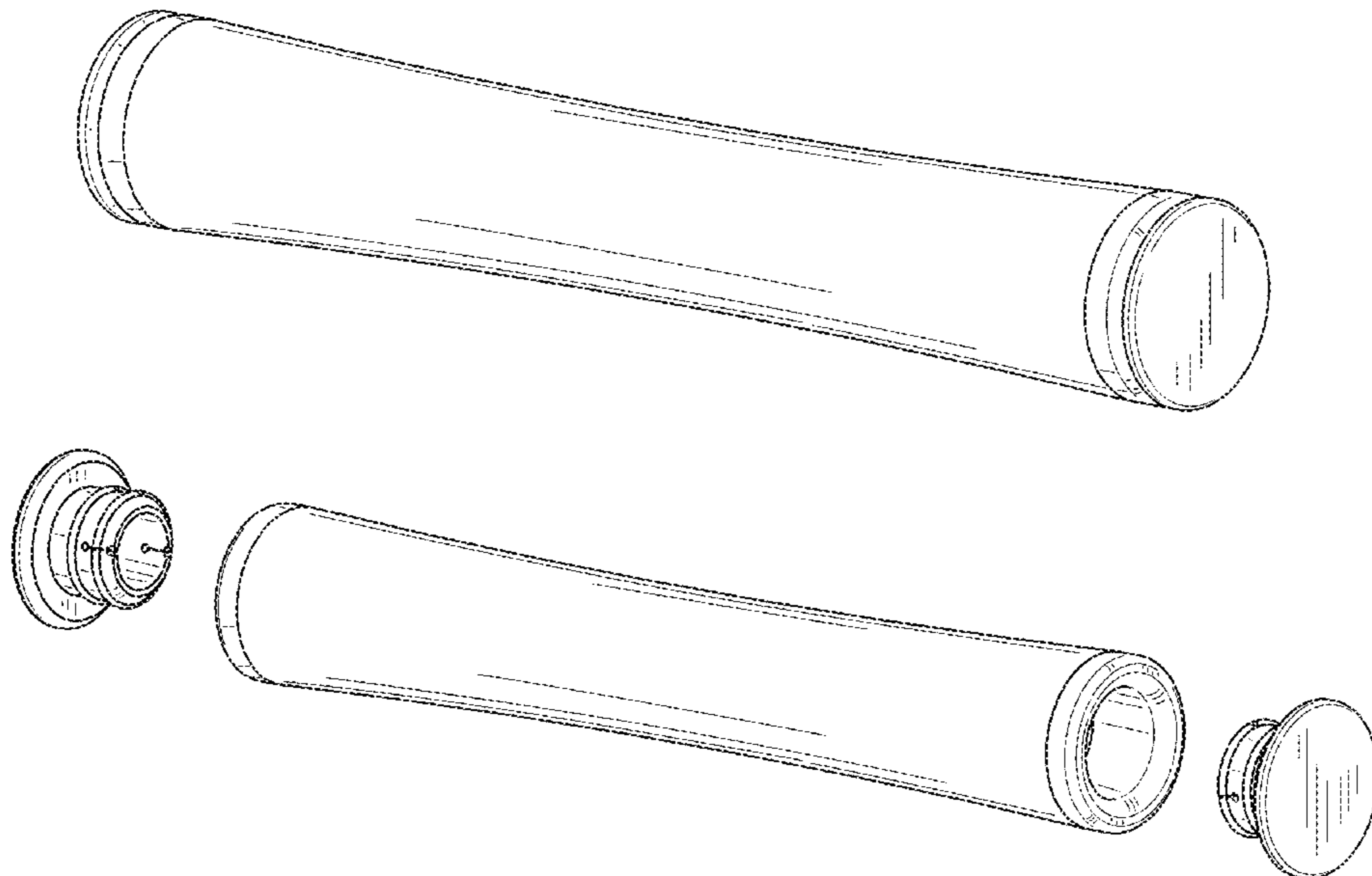
FIG. 4 is a front perspective view of the fitness baton with end caps installed.

FIG. 5 is a front view of the fitness baton with end caps installed. The back view, not shown is a mirror image of the front view.

FIG. 6 is an end view of the fitness baton with end caps installed. The other end, not shown, is a mirror image of the end shown in FIG. 6; and,

FIG. 7 is a front perspective view of the fitness baton with the end caps removed and shown in an exploded view.

**1 Claim, 5 Drawing Sheets**



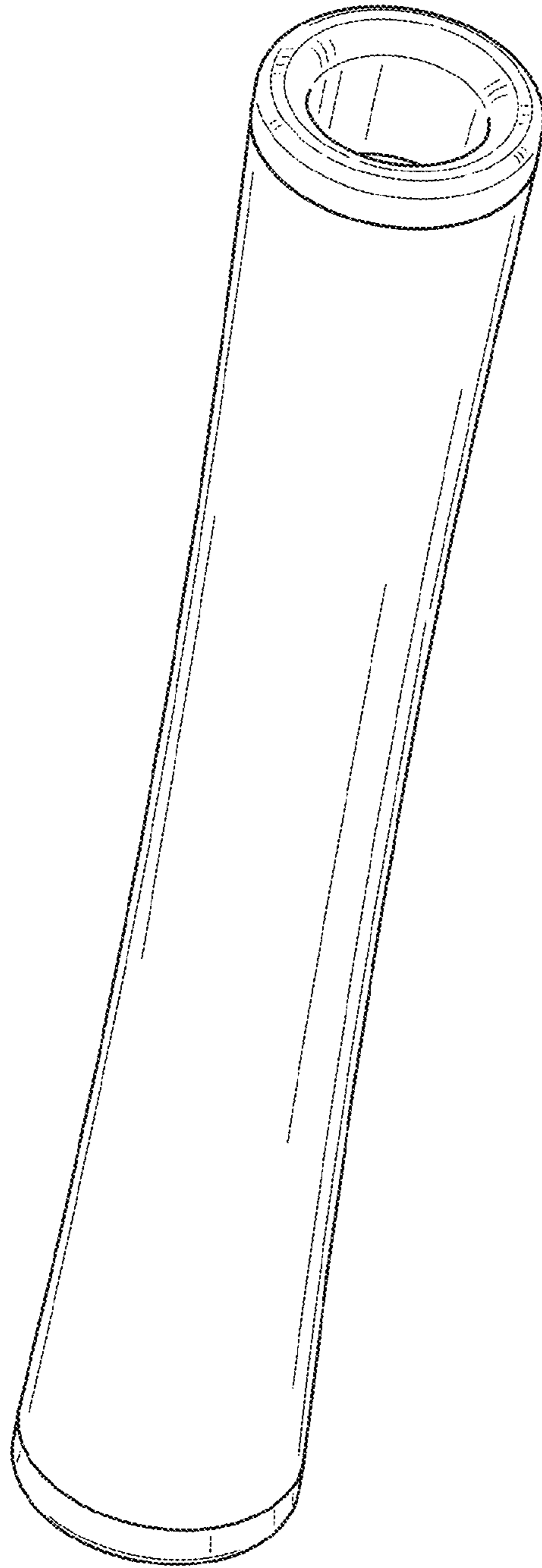


FIG.1

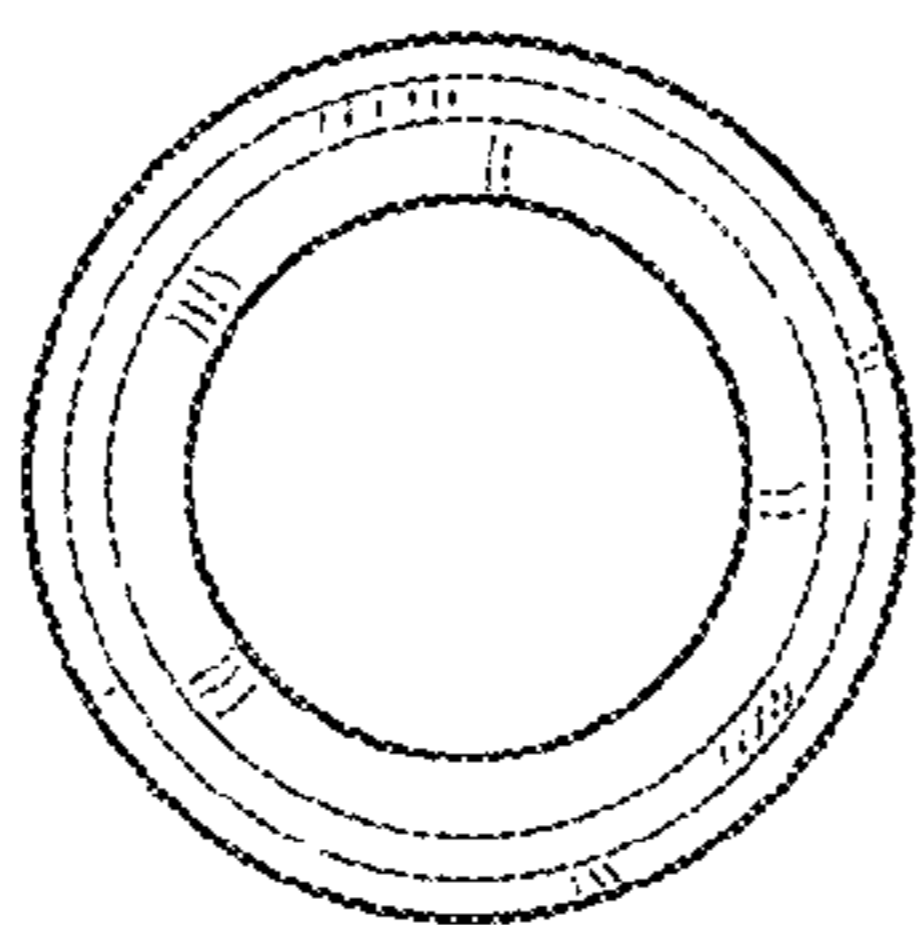


FIG.3

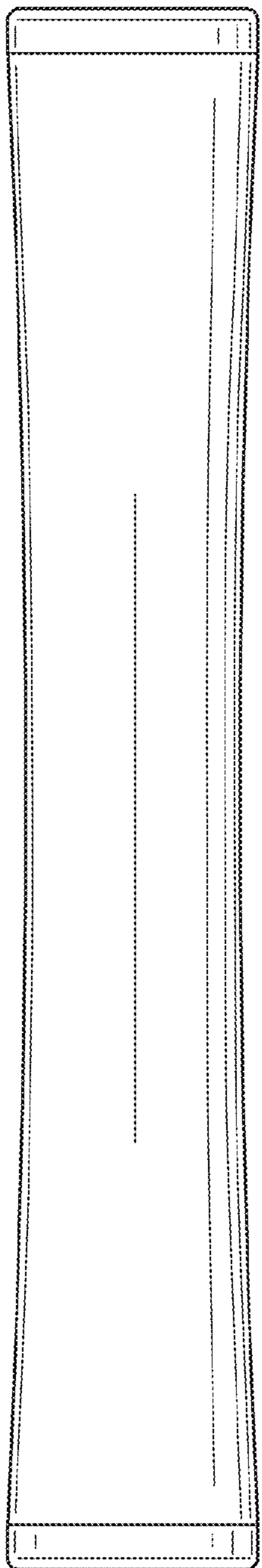


FIG.2

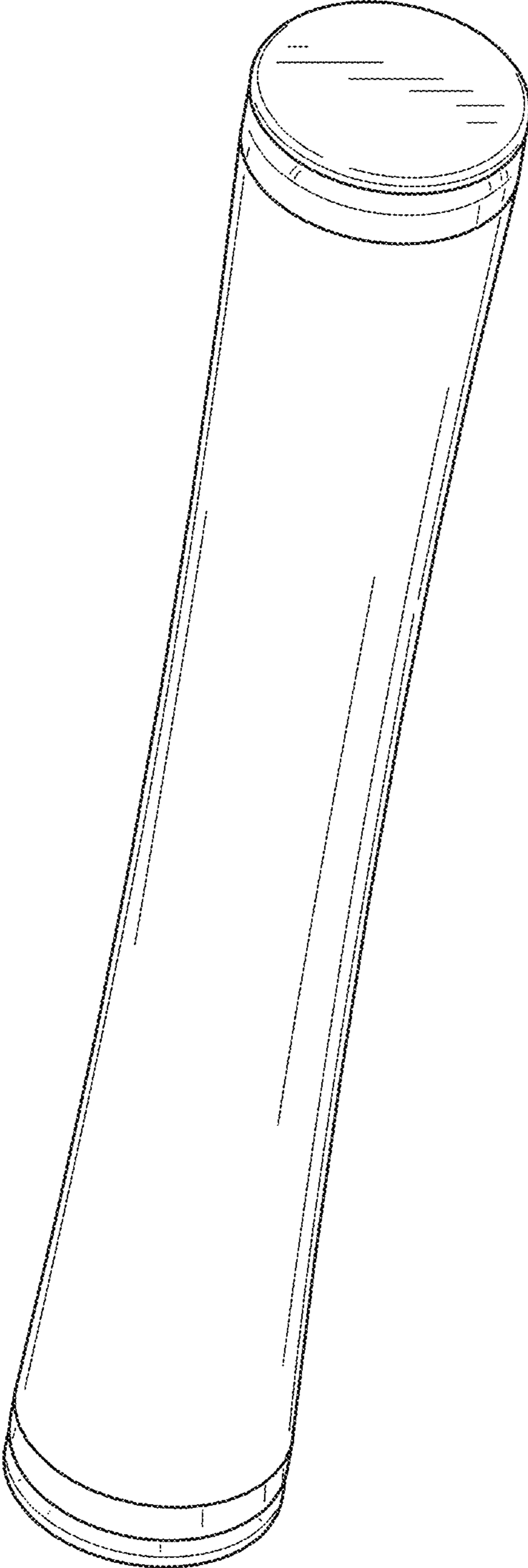


FIG.4

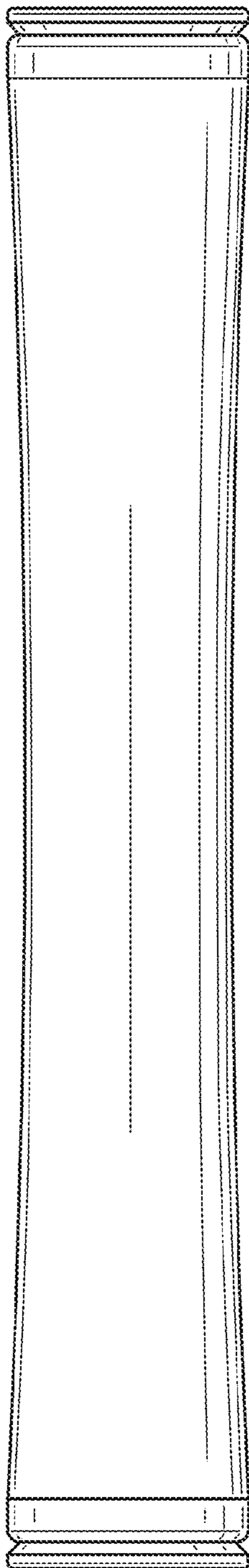
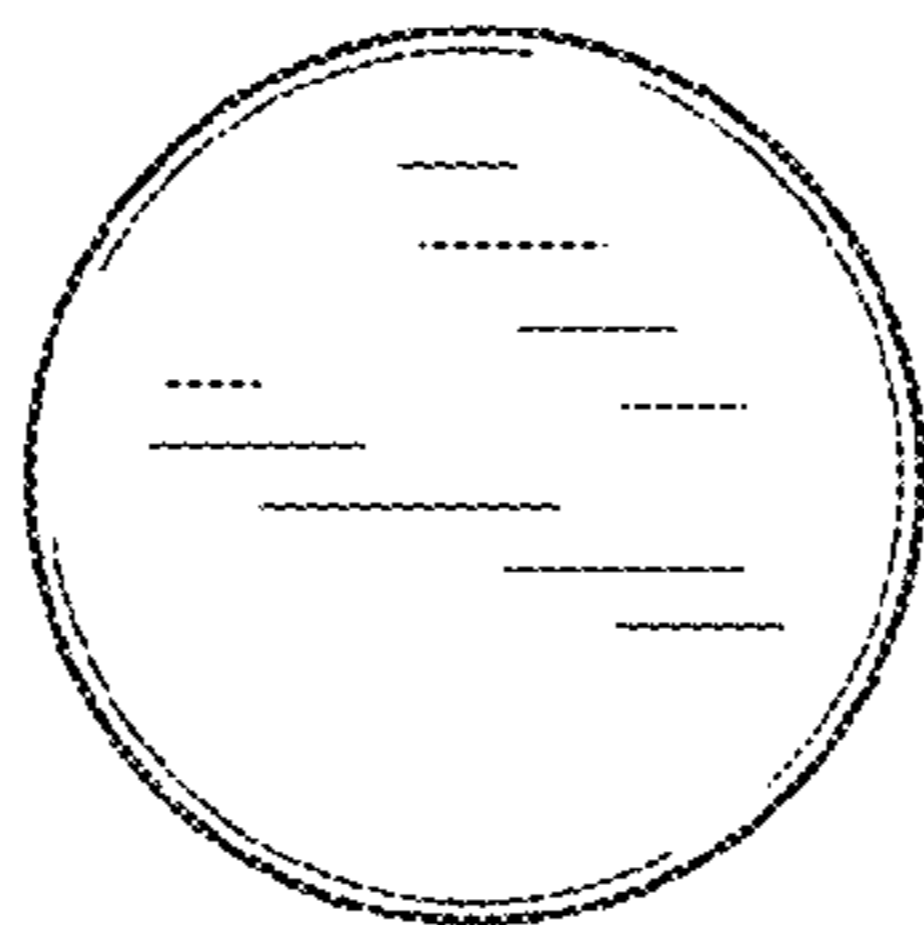


FIG.6

FIG.5

