



US00D725201S

(12) **United States Design Patent**
Shalgi

(10) **Patent No.:** **US D725,201 S**
(45) **Date of Patent:** **** Mar. 24, 2015**

(54) **TOY HORSE**

(71) Applicant: **Netta Shalgi**, Tel Aviv (IL)

(72) Inventor: **Netta Shalgi**, Tel Aviv (IL)

(**) Term: **14 Years**

(21) Appl. No.: **29/487,585**

(22) Filed: **Apr. 10, 2014**

(30) **Foreign Application Priority Data**

Oct. 10, 2013 (IL) 54682

(51) **LOC (10) Cl.** **21-01**

(52) **U.S. Cl.**
USPC **D21/592; D21/620**

(58) **Field of Classification Search**
CPC A63H 3/02; A63H 11/10
USPC D21/429, 576-578, 585, 587-593, 620;
446/72-73, 97-98, 268-269, 297, 369;
D6/598; D11/158, 162; D30/160;
D3/211

See application file for complete search history.

(56) **References Cited**

U.S. PATENT DOCUMENTS

D69,344 S * 2/1926 Bludworth D21/591
D92,529 S * 6/1934 Ewing D21/429
D122,403 S * 9/1940 Herlihy D21/620

2,377,646 A * 6/1945 Plank 446/293
D145,066 S * 6/1946 Catanzarite et al. D21/592
2,593,991 A * 4/1952 Crosby 446/293
D239,554 S * 4/1976 Schoenfield D21/620
4,245,425 A * 1/1981 D'Andrade 446/293
D302,190 S * 7/1989 Catelli D21/429
D378,840 S * 4/1997 Rahbek D21/620
5,888,138 A * 3/1999 Sukanuma 446/277
6,551,164 B1 * 4/2003 Motosko 446/97
D689,963 S * 9/2013 Thorsen D21/620

* cited by examiner

Primary Examiner — Sandra Morris

(74) *Attorney, Agent, or Firm* — The Law Office of Michael F. Kondoudis

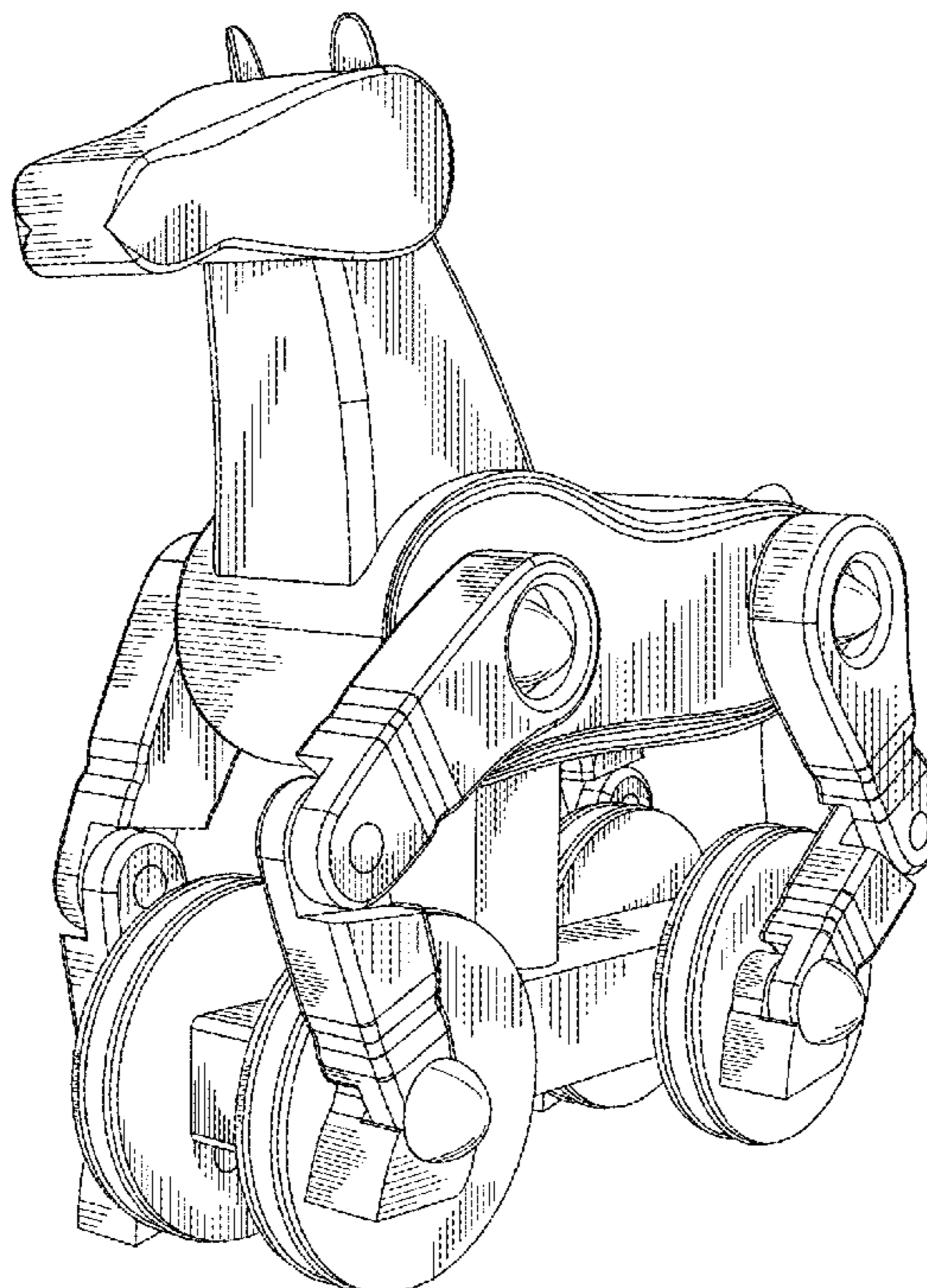
(57) **CLAIM**

The ornamental design for a toy horse, as shown and described.

DESCRIPTION

FIG. 1 is a front perspective view of toy horse illustrating my new design;
FIG. 2 is a rear perspective view thereof;
FIG. 3 is a front view thereof;
FIG. 4 is a left view thereof;
FIG. 5 is a rear view thereof;
FIG. 6 is a right view thereof;
FIG. 7 is top view thereof;
FIG. 8 is a bottom view thereof; and,
FIG. 9 is a rear elevational perspective view thereof.

1 Claim, 9 Drawing Sheets



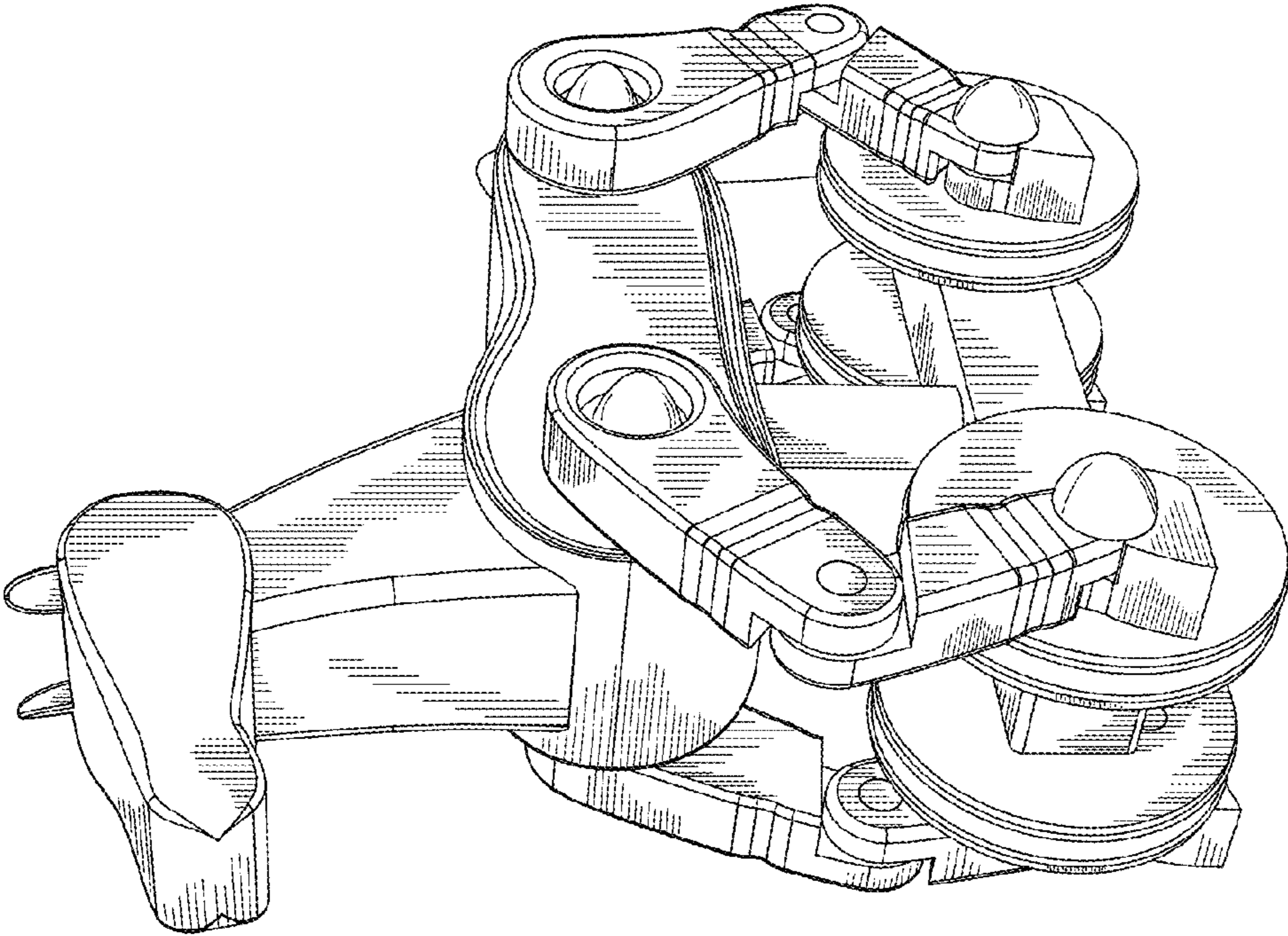


Fig. 1

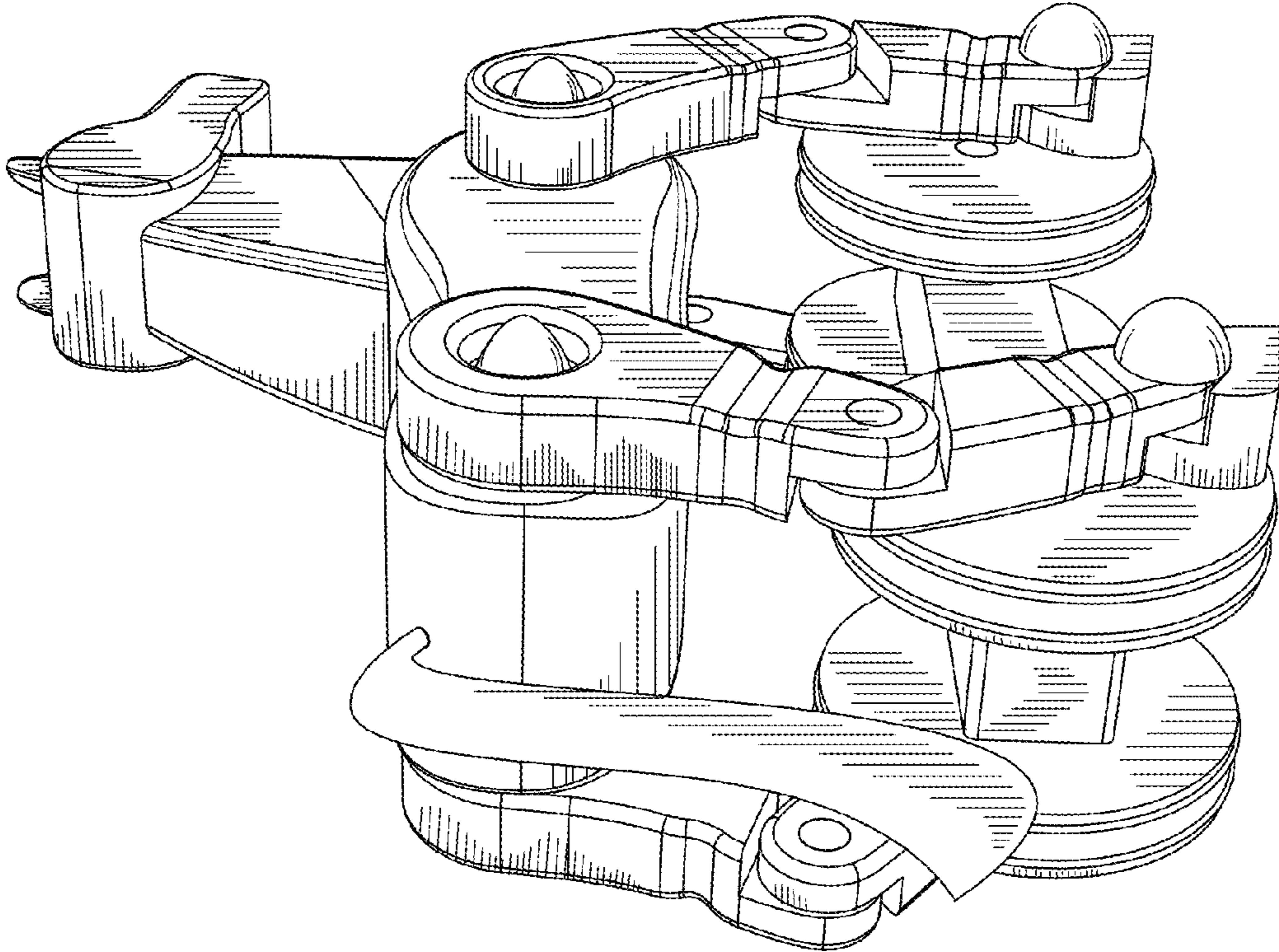


Fig. 2

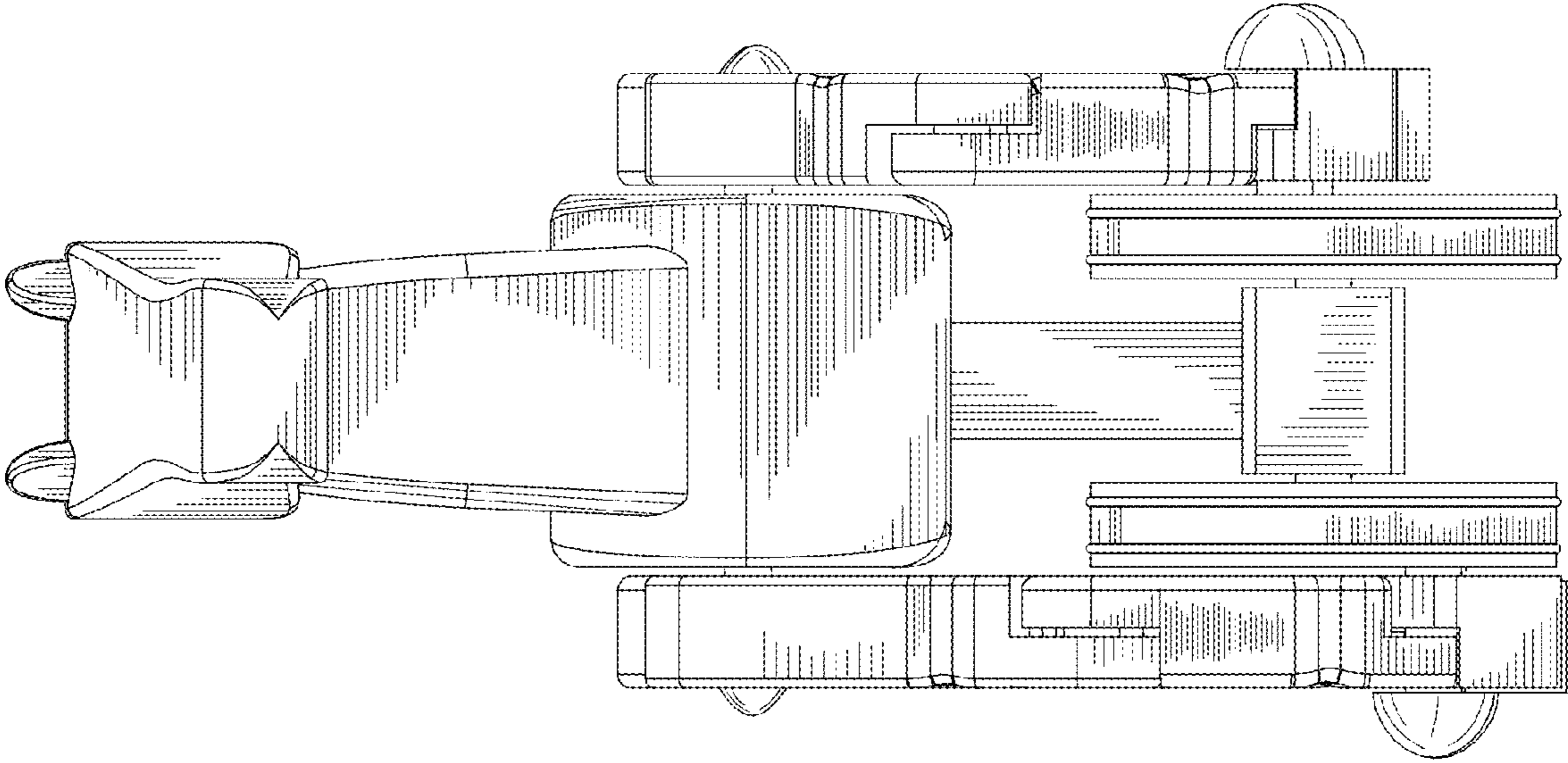


Fig. 3

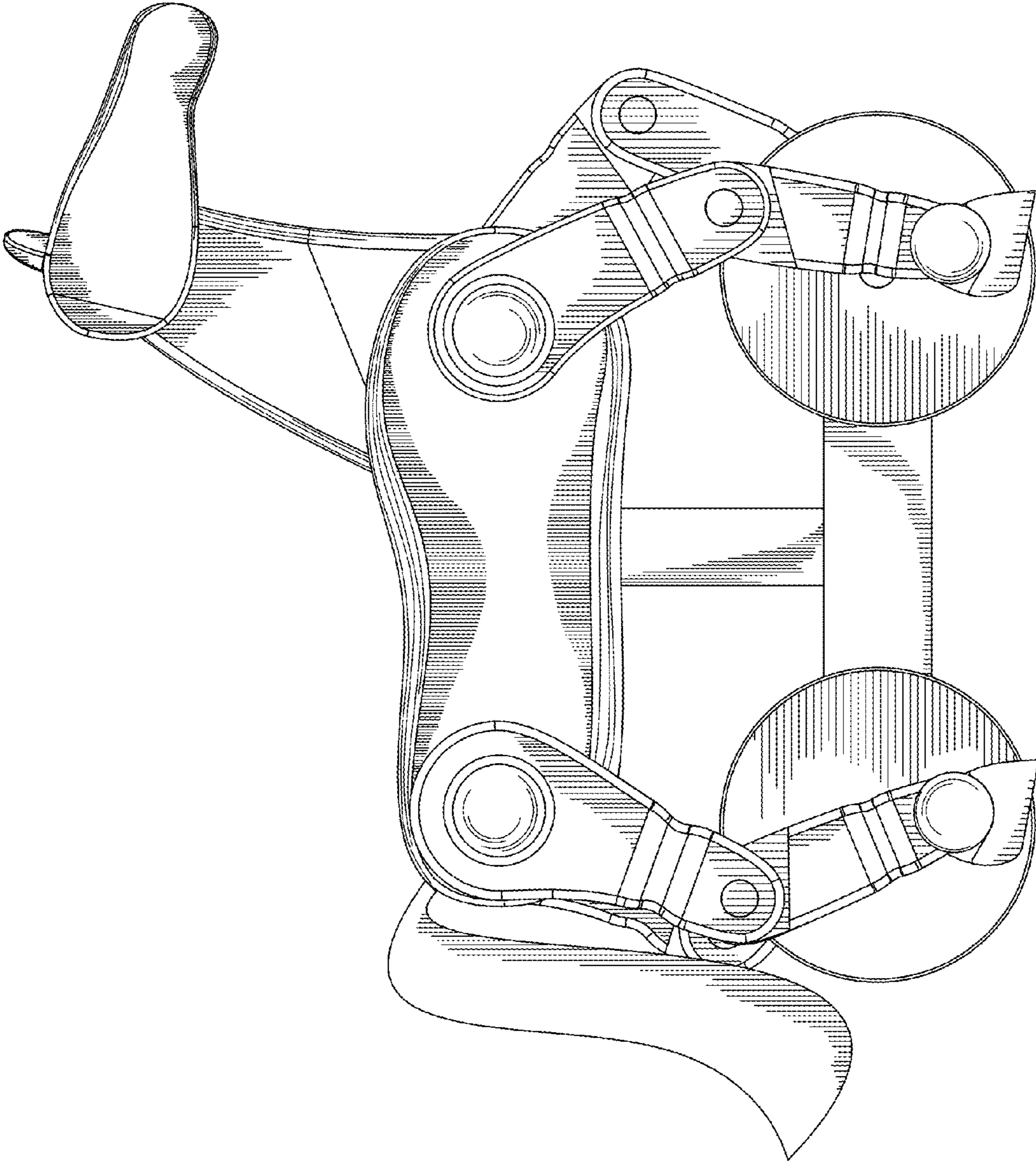


Fig. 4

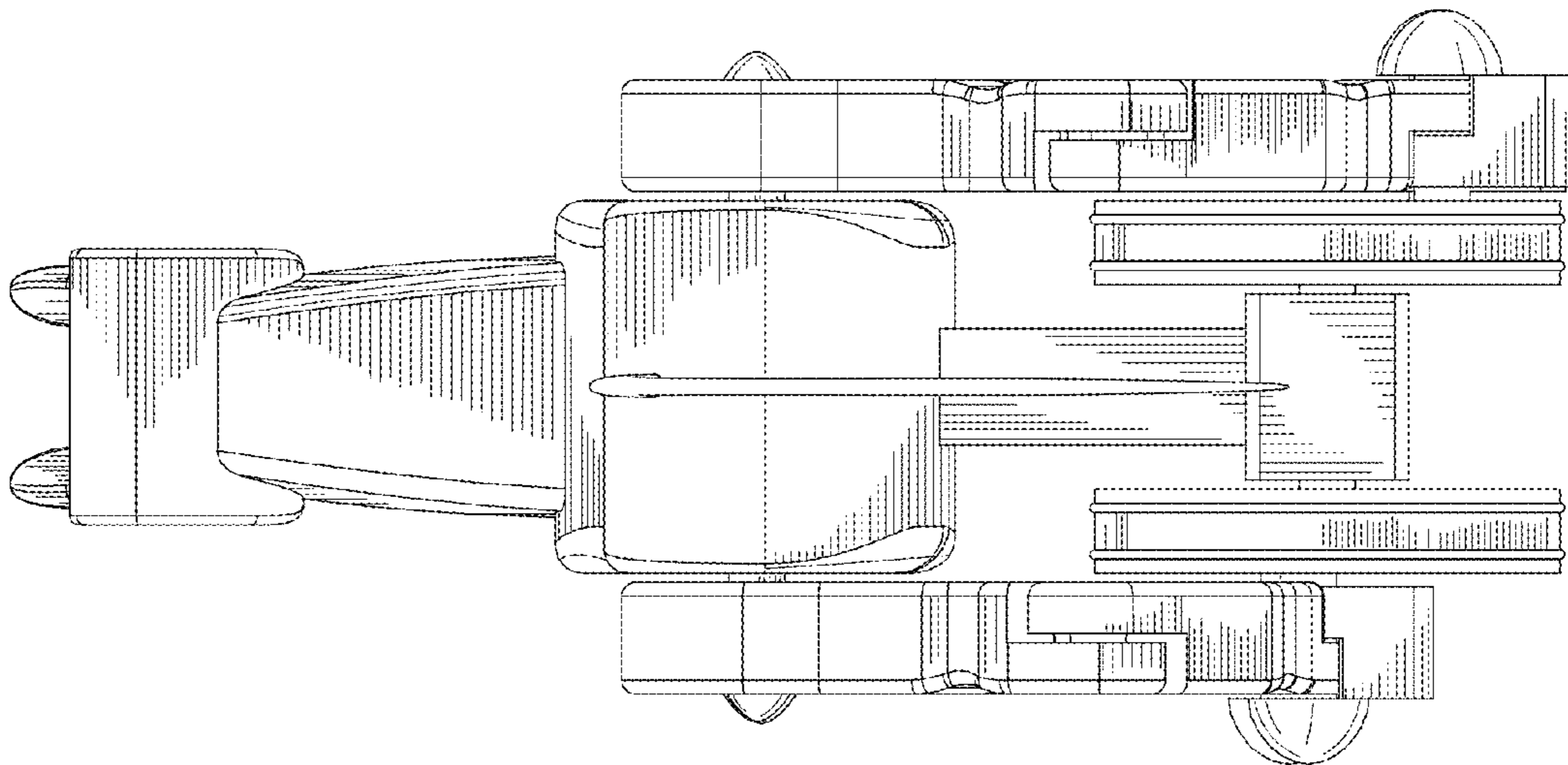


Fig. 5

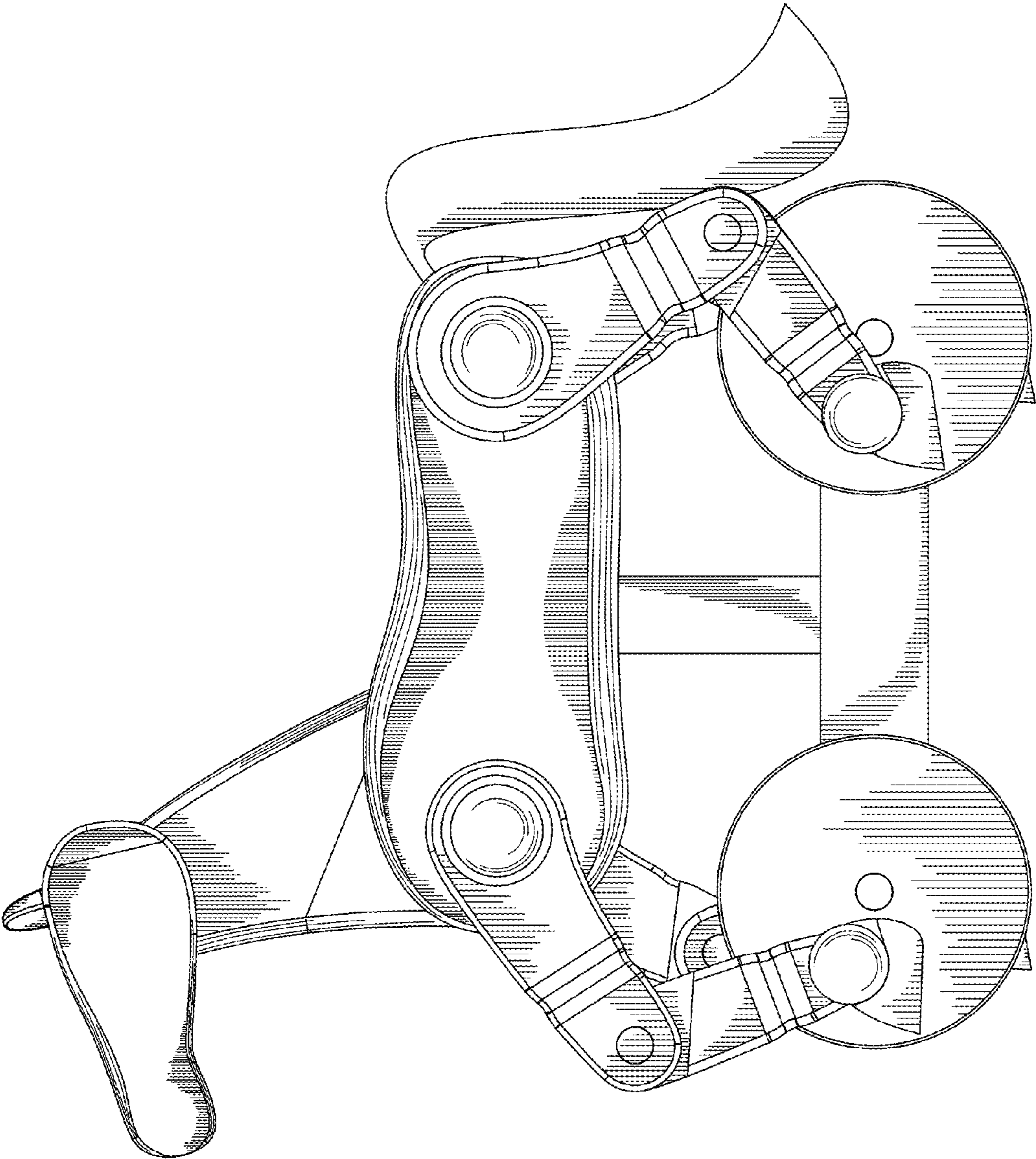


Fig. 6

Fig. 7

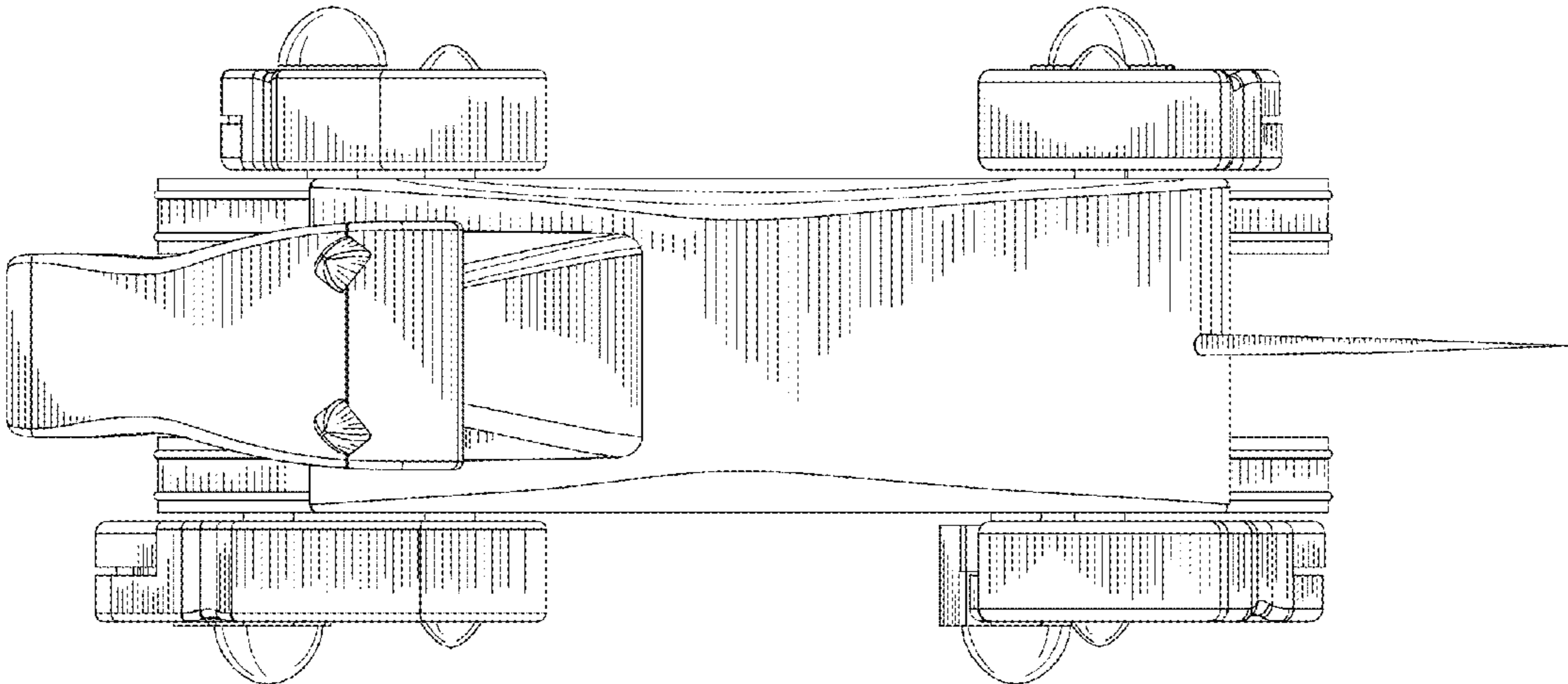
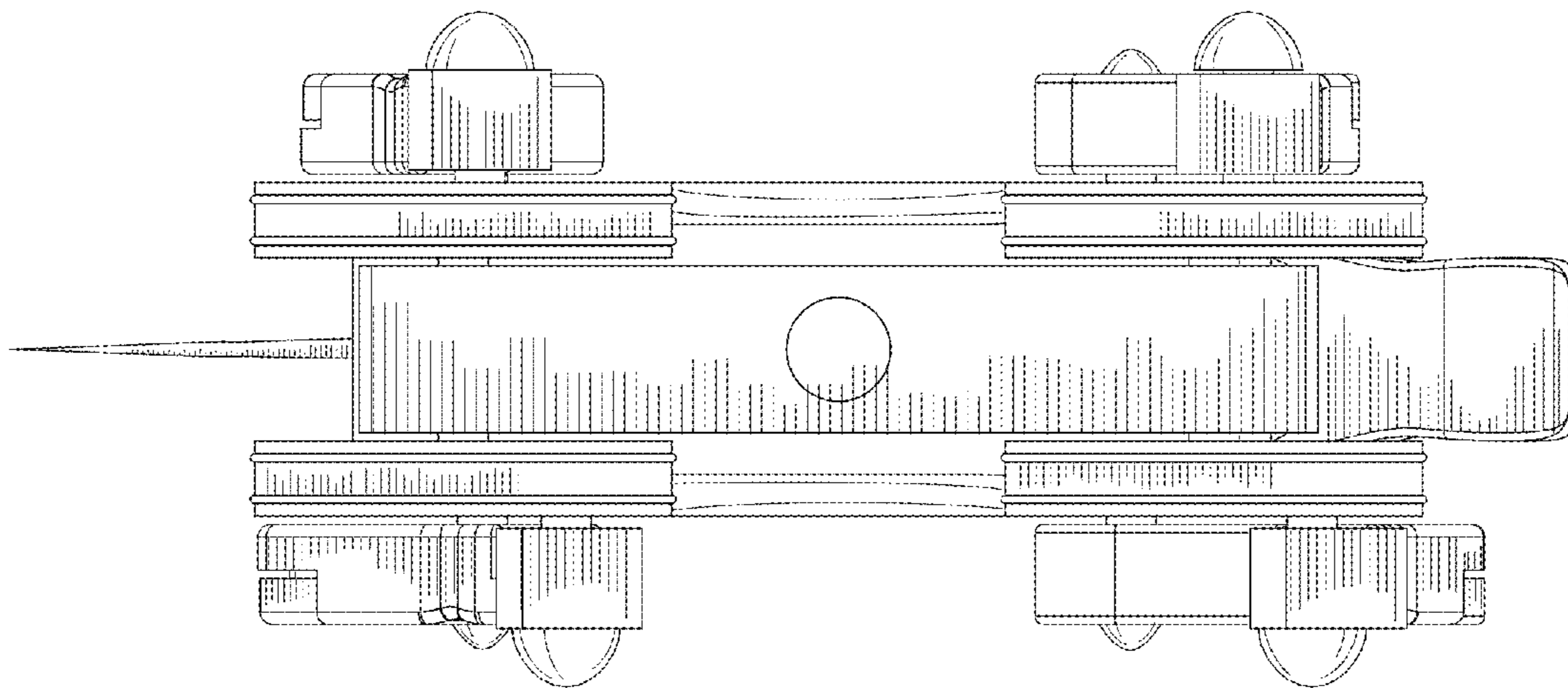


Fig. 8



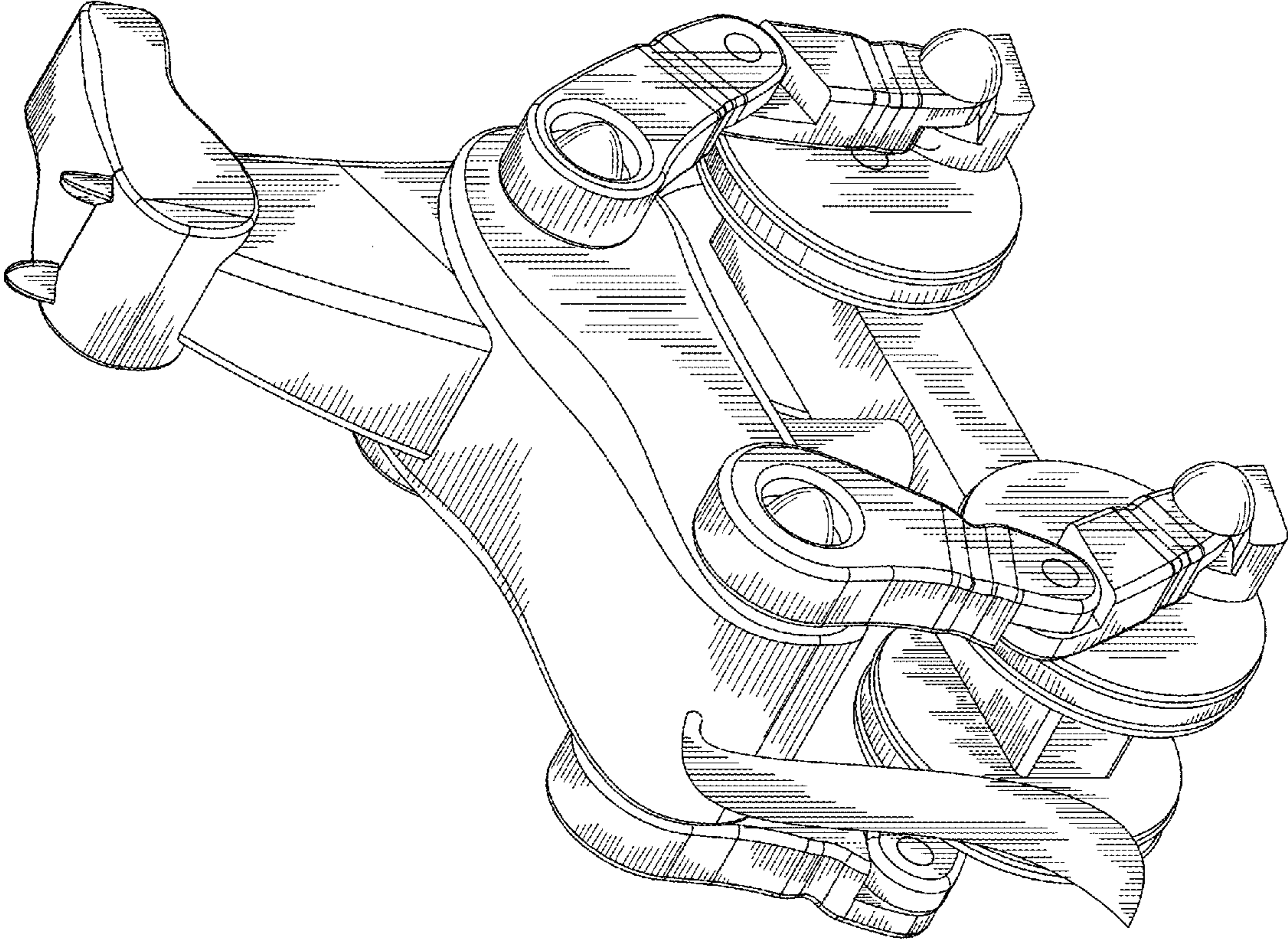


Fig. 9