



US00D725199S

(12) **United States Design Patent**
Jensen

(10) **Patent No.:** **US D725,199 S**

(45) **Date of Patent:** **** Mar. 24, 2015**

(54) **BEAM ELEMENT FOR A CONSTRUCTION SET**

(71) Applicant: **Lego A/S**, Billund (DK)

(72) Inventor: **Stefan Thestrup Jensen**, Odense (DK)

(73) Assignee: **Lego A/S**, Billund (DK)

(**) Term: **14 Years**

(21) Appl. No.: **29/492,064**

(22) Filed: **May 28, 2014**

(30) **Foreign Application Priority Data**

Nov. 28, 2013 (EM) 002353268

(51) **LOC (10) Cl.** **21-01**

(52) **U.S. Cl.**
USPC **D21/486; D21/503**

(58) **Field of Classification Search**

CPC A63H 33/00; A63H 33/04; A63H 33/06;
A63H 33/08; A63H 33/10; A63H 33/12;
A63H 33/14; A63F 9/08; A63F 9/12; G09B
1/36

USPC D21/484, 485, 486, 488, 489, 491, 494,
D21/495, 499, 500-504; 446/69, 85,
446/102-128; 434/208, 259, 403; 273/153,
273/156, 160; 428/174; D25/113-116, 118

See application file for complete search history.

(56) **References Cited**

U.S. PATENT DOCUMENTS

D367,086 S *	2/1996	Chesler et al.	D21/484
D611,107 S *	3/2010	Schmidt	D21/484
D616,047 S *	5/2010	Christensen	D21/502
D616,506 S *	5/2010	Kossmann	D21/501
D696,361 S *	12/2013	Rottje	D21/486

* cited by examiner

Primary Examiner — Cynthia M Chin

(74) *Attorney, Agent, or Firm* — Day Pitney LLP

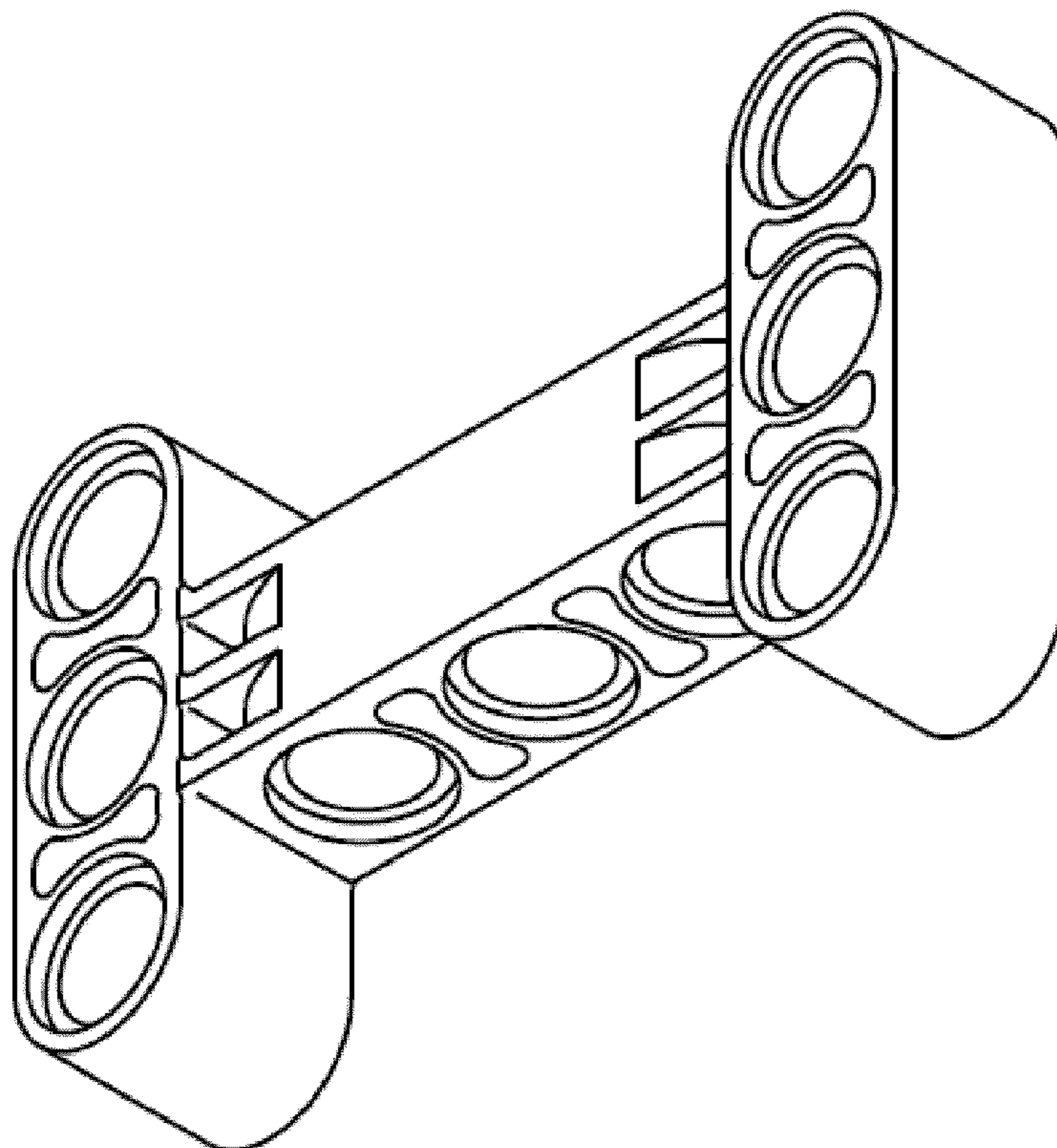
(57) **CLAIM**

The ornamental design for a beam element for a construction set, as shown and described.

DESCRIPTION

FIG. 1 is a top-front perspective view of my ornamental design for a beam element for a construction set;
FIG. 2 is a front elevation view thereof;
FIG. 3 is a right side view thereof;
FIG. 4 is a top plan view thereof;
FIG. 5 is a left side view thereof;
FIG. 6 is a bottom plan view thereof; and,
FIG. 7 is back side view thereof.

1 Claim, 7 Drawing Sheets



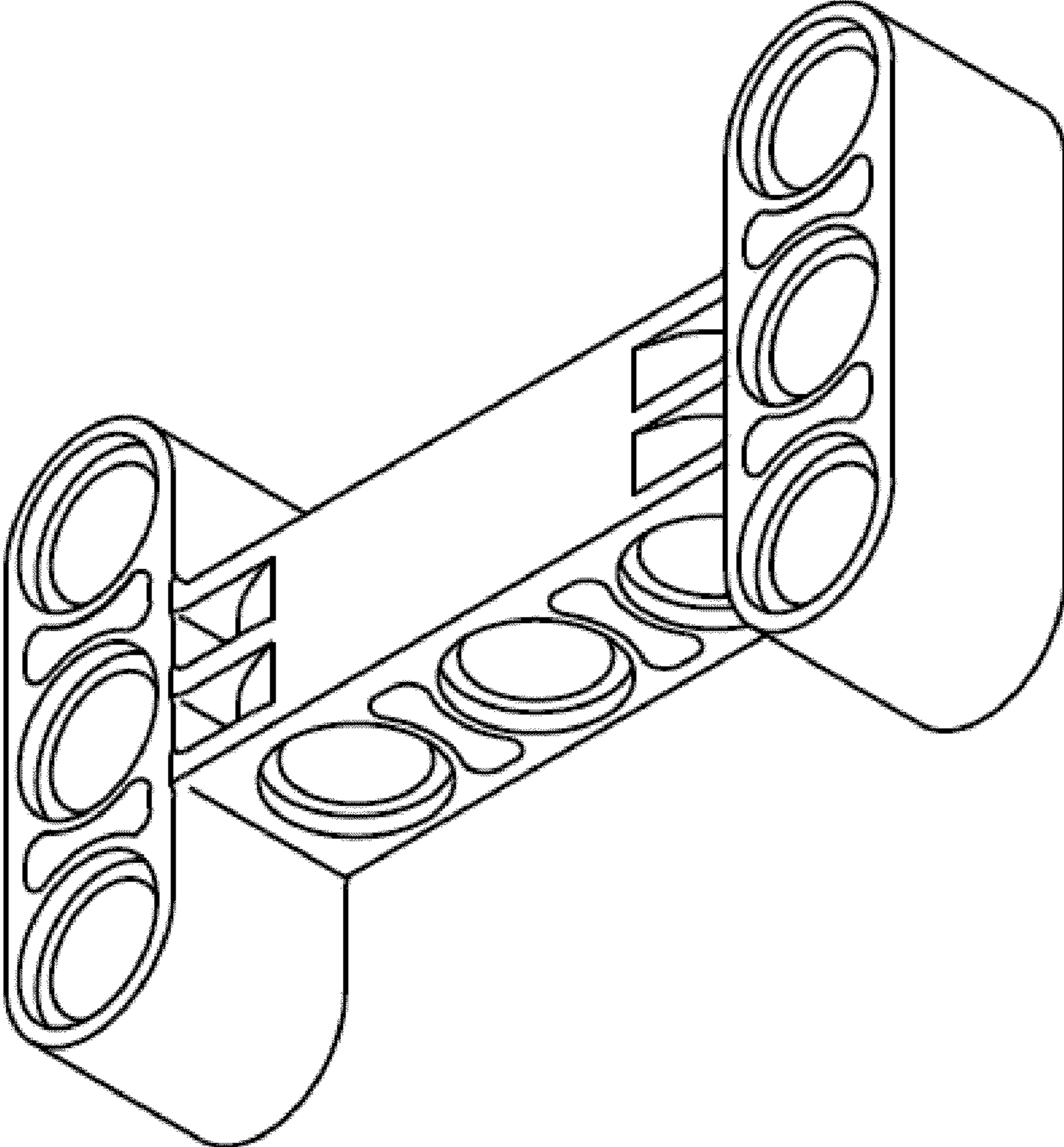


FIG. 1

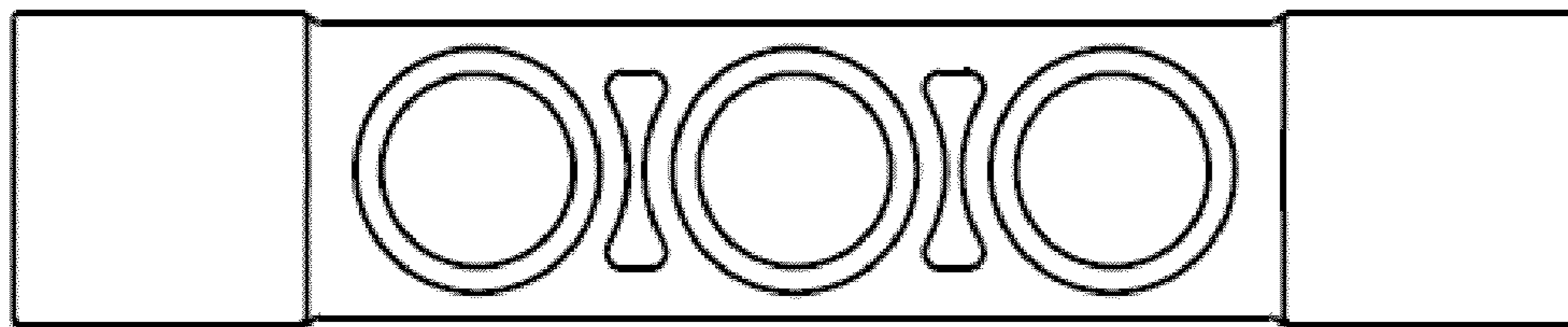


FIG. 2

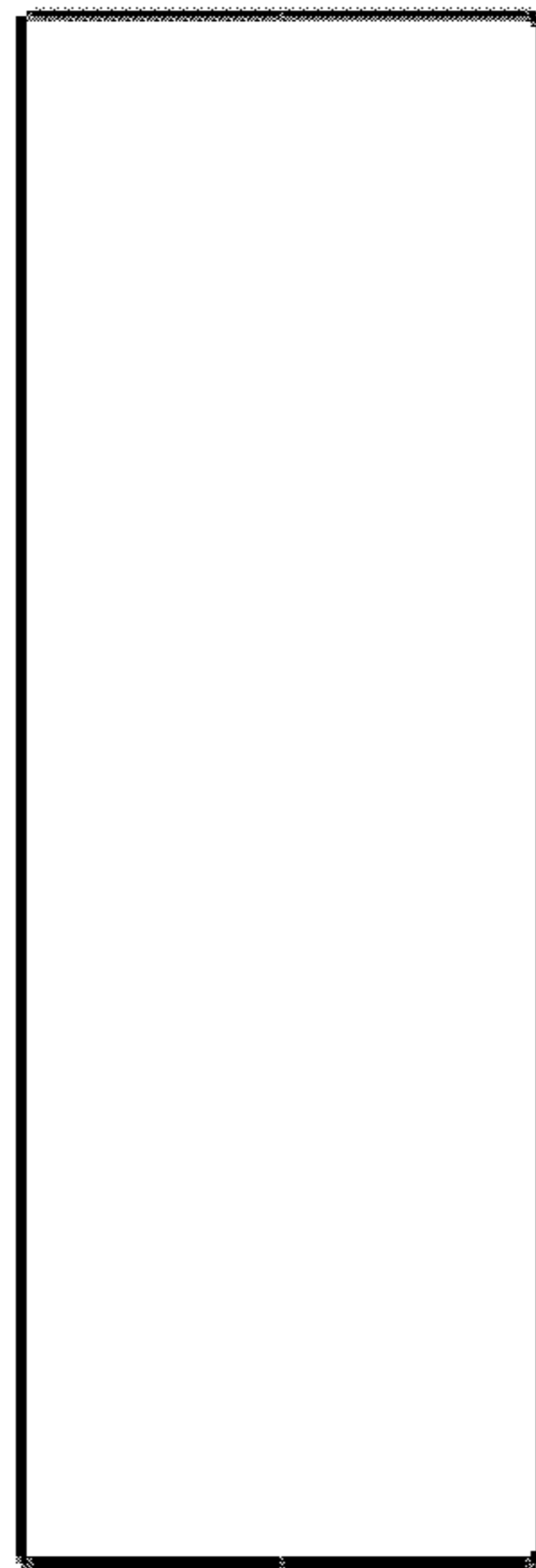


FIG. 3

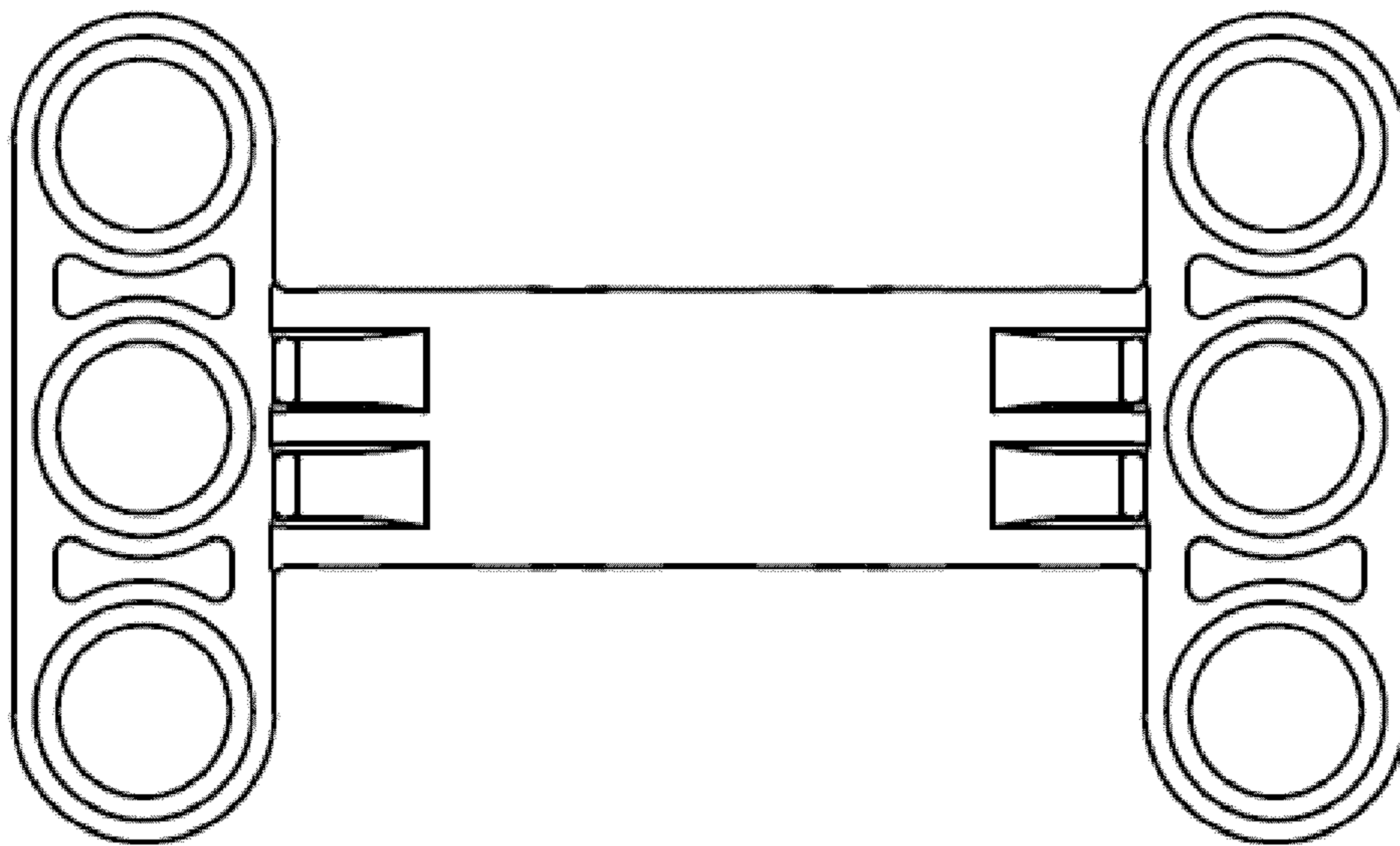


FIG. 4



FIG. 5

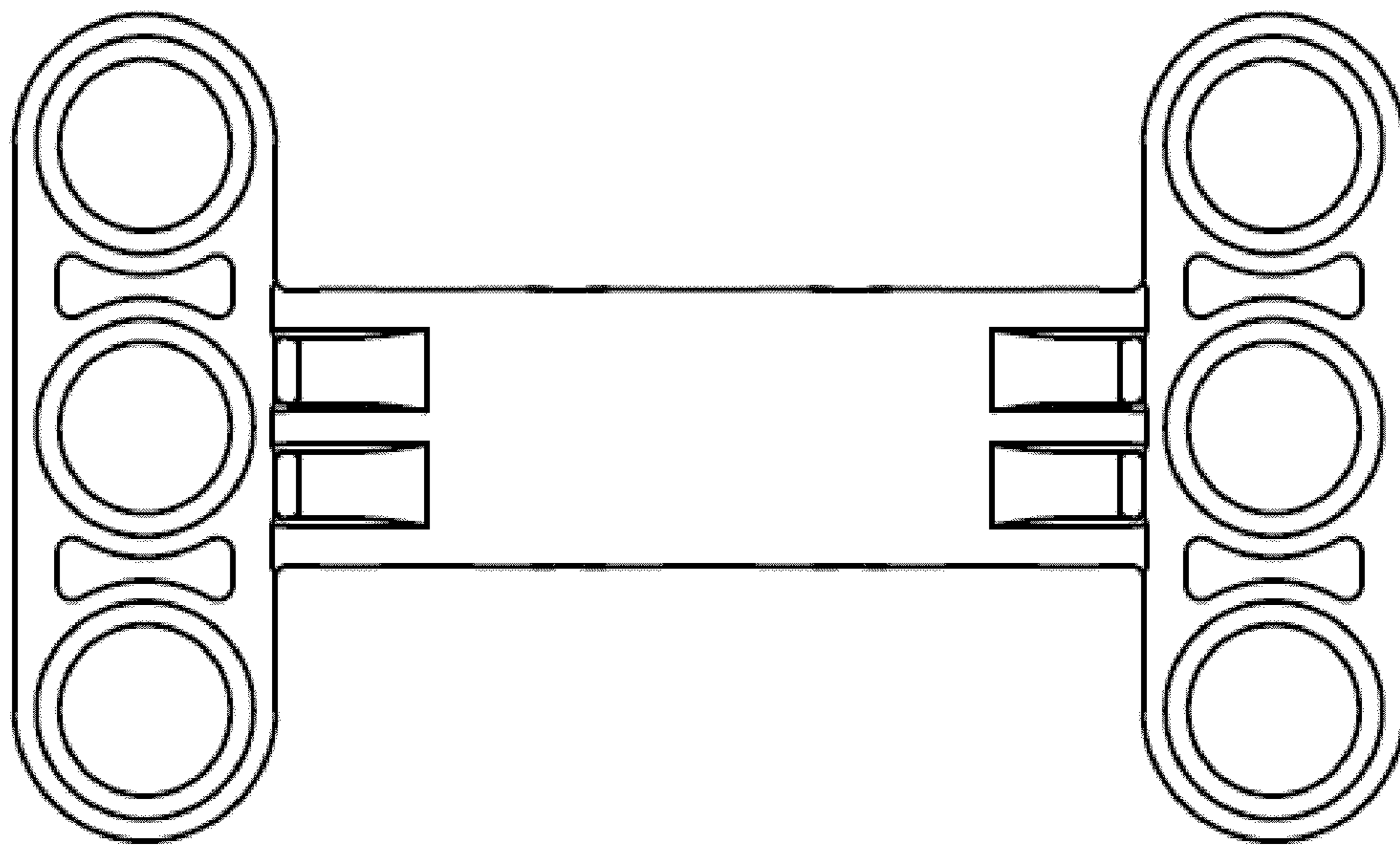


FIG. 6

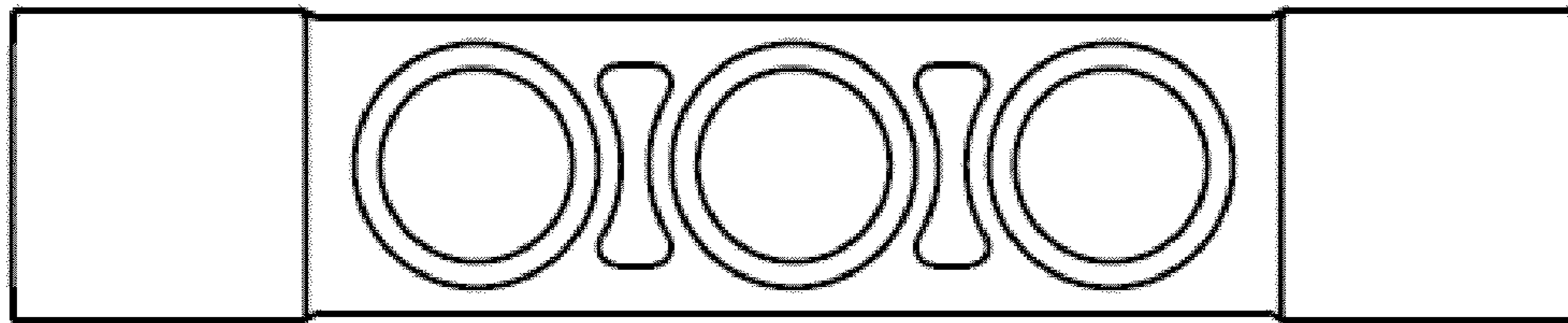


FIG. 7