



US00D725197S

(12) **United States Design Patent**
Thompson

(10) **Patent No.:** **US D725,197 S**

(45) **Date of Patent:** **** *Mar. 24, 2015**

- (54) **FLYING DISC TOY**
- (71) Applicant: **Scott C. Thompson**, Denver, CO (US)
- (72) Inventor: **Scott C. Thompson**, Denver, CO (US)
- (*) Notice: This patent is subject to a terminal disclaimer.
- (**) Term: **14 Years**
- (21) Appl. No.: **29/461,396**
- (22) Filed: **Jul. 23, 2013**
- (51) **LOC (10) Cl.** **21-02**
- (52) **U.S. Cl.**
USPC **D21/443**
- (58) **Field of Classification Search**
CPC A63H 33/18; A63H 33/185; A63F
2009/0286; A63B 65/10; A63B 67/06; A63B
67/14
USPC D21/387, 390, 436, 437, 441, 443, 444,
D21/453; 446/27, 46, 47, 48, 236, 240, 460,
446/486; 273/336, 338, 348, 126 R;
473/588, 589, 590, 416, 514, 594;
D30/160, 199; 119/707, 709, 710
See application file for complete search history.

4,132,029	A *	1/1979	Thompson et al.	446/48
4,152,863	A *	5/1979	Kubiatowicz	446/486
4,212,131	A *	7/1980	Ross, Jr.	446/48
4,515,570	A *	5/1985	Beltran	446/47
4,516,946	A *	5/1985	Rodarte	446/46
4,600,398	A *	7/1986	Fraga	446/240
D295,429	S *	4/1988	Sandeen	D21/443
4,747,798	A *	5/1988	Wang et al.	446/47
D336,119	S *	6/1993	Bridge, Jr.	D21/443
D346,626	S *	5/1994	St. Lawrence	D21/443
D350,783	S *	9/1994	Bacon	D21/443
7,270,332	B2 *	9/2007	McClung et al.	273/338
D559,920	S *	1/2008	Krueger et al.	D21/443
7,335,085	B2 *	2/2008	Lyman	446/486
D678,422	S *	3/2013	Thompson	D21/443

* cited by examiner

Primary Examiner — Martie K Holtje

(74) *Attorney, Agent, or Firm* — Edwin H. Crabtree; Ramon L. Pizavro

(57) **CLAIM**

The ornamental design for a flying disc toy, as shown and described.

DESCRIPTION

FIG. 1 is a top perspective view of the flying disc toy shown my new design:

FIG. 2 is a top plan view thereof:

FIG. 3 is a side elevation view thereof, the opposite side, front and rear are identical thereto; and,

FIG. 4 is a bottom view thereof.

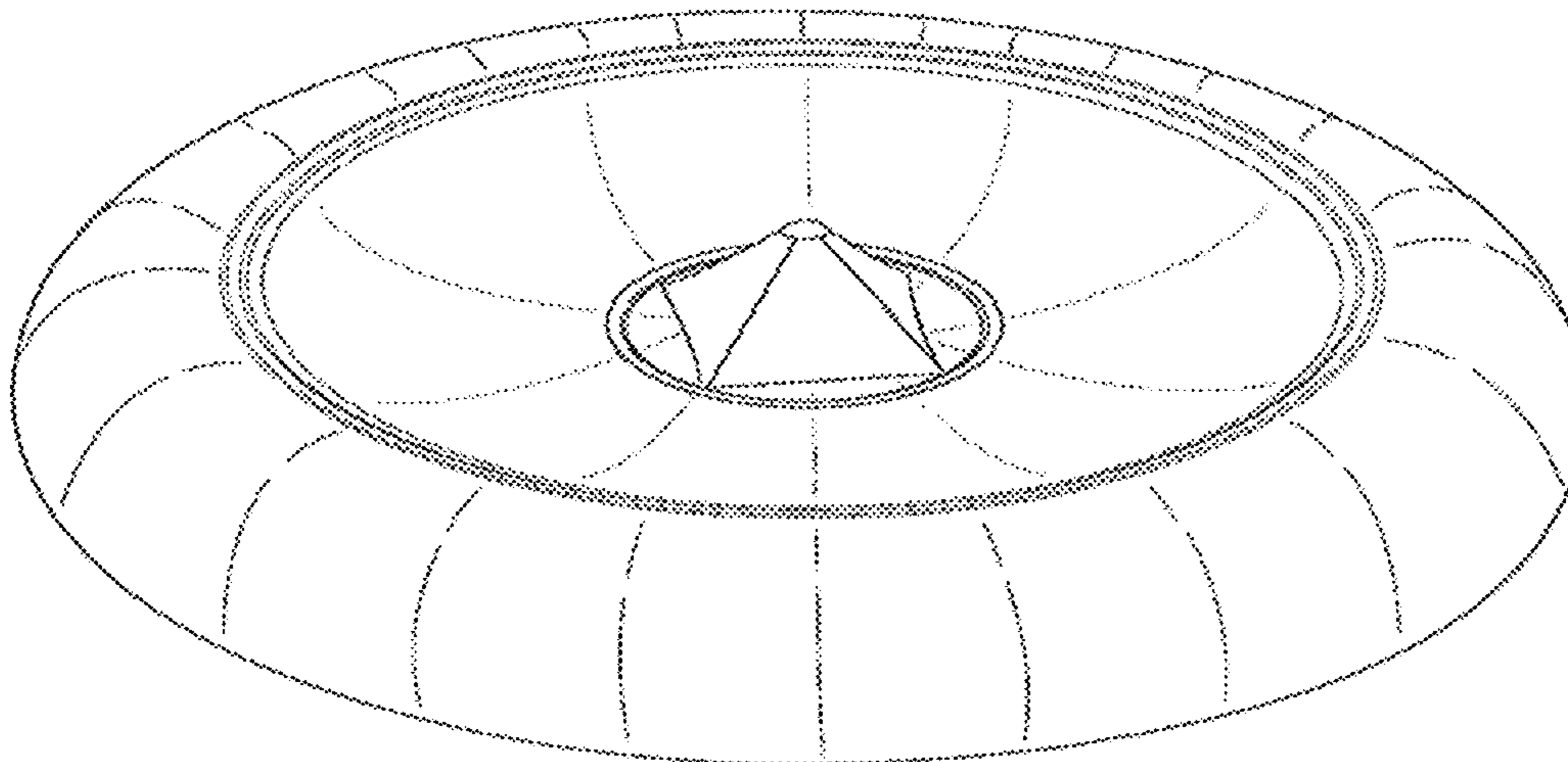
The broken lines in FIG. 4 represent boundaries, the area within which forms no part of the claimed design.

(56) **References Cited**

U.S. PATENT DOCUMENTS

D183,626	S *	9/1958	Morrison	D21/444
3,359,678	A *	12/1967	Headrick	446/46
3,828,466	A *	8/1974	Geiger	446/48

1 Claim, 2 Drawing Sheets



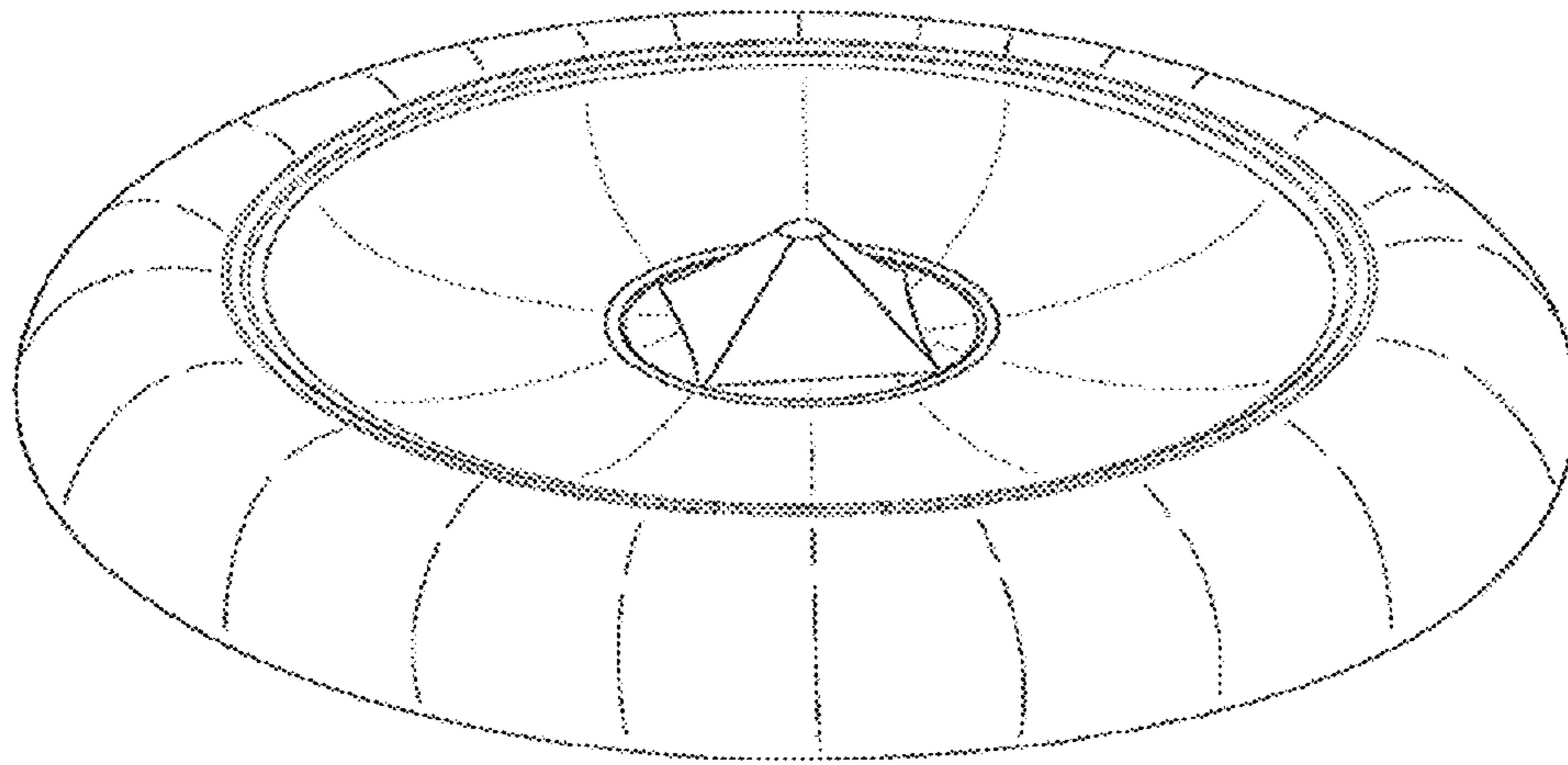


FIG. 1

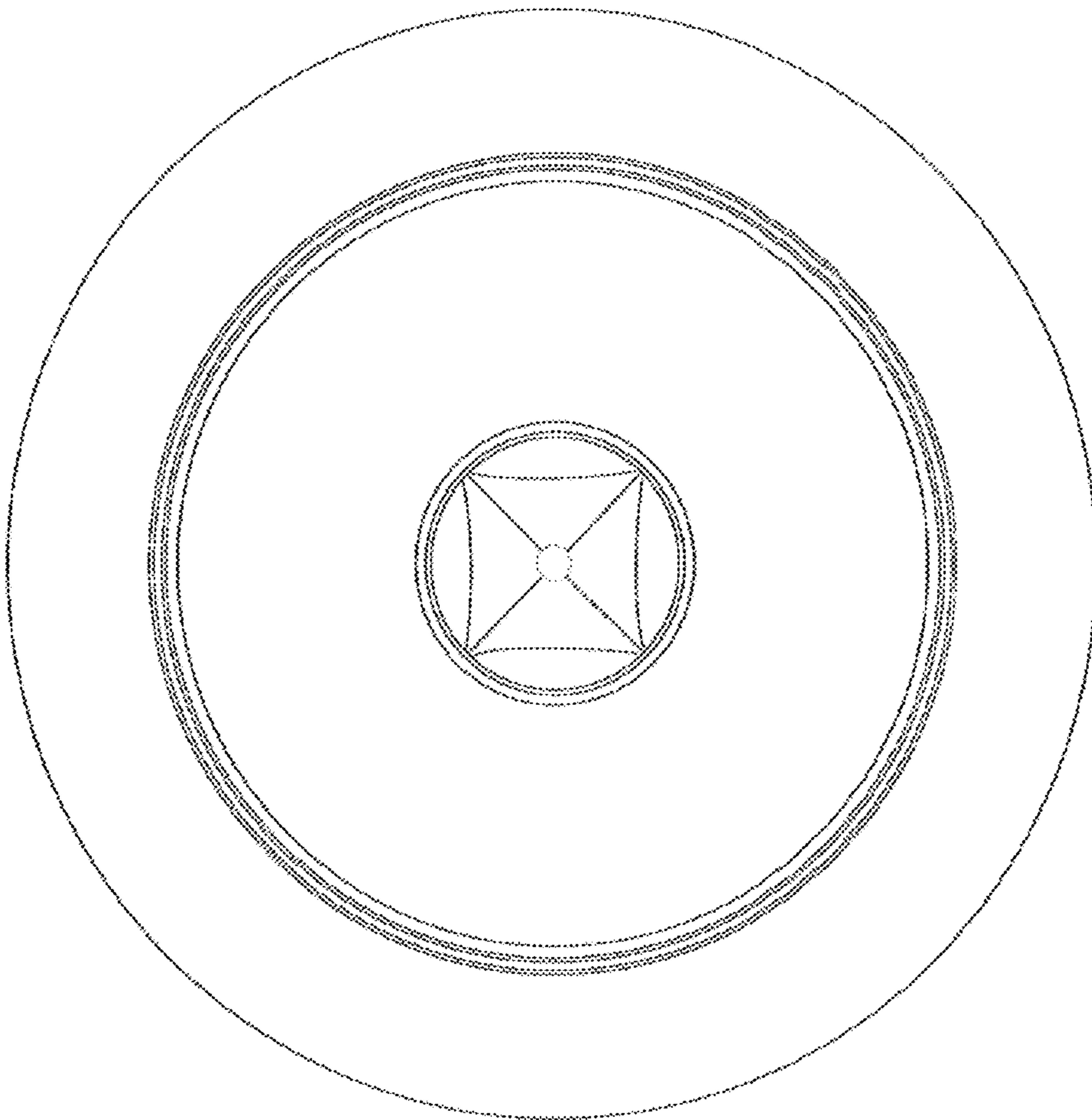


FIG. 2

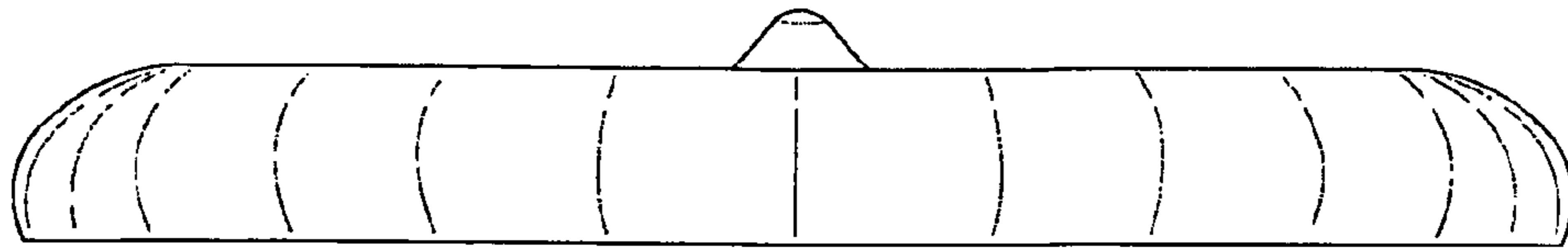


FIG. 3

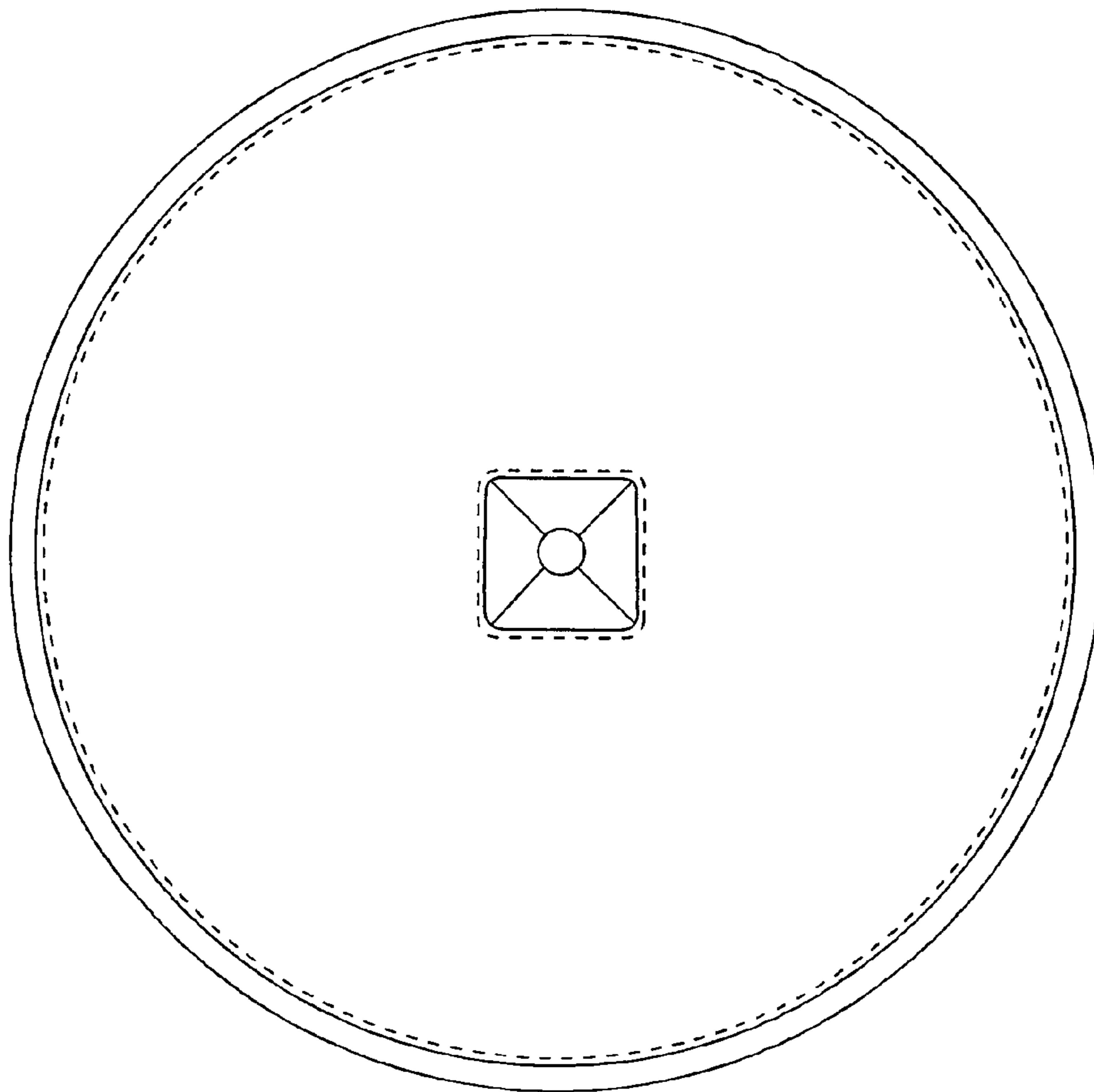


FIG. 4