



US00D725196S

(12) **United States Design Patent**
Child

(10) **Patent No.:** **US D725,196 S**
(45) **Date of Patent:** **** Mar. 24, 2015**

(54) **RIDING TOY**

(71) Applicant: **Christiane Child**, Queensland (AU)

(72) Inventor: **Christiane Child**, Queensland (AU)

(**) Term: **14 Years**

(21) Appl. No.: **29/489,155**

(22) Filed: **Apr. 28, 2014**

(30) **Foreign Application Priority Data**

Oct. 31, 2013 (EP) 002336388-0001

(51) **LOC (10) Cl.** **21-01**

(52) **U.S. Cl.**
USPC **D21/426**

(58) **Field of Classification Search**
USPC D21/412, 414, 415, 419, 424, 426, 427,
D21/428, 503, 592, 831, 832, 833;
280/1.16, 1.165, 1.167, 1.191, 1.192,
280/1.22, 1.23, 827, 828, 87.01, 87.021,
280/87.03

See application file for complete search history.

(56) **References Cited**

U.S. PATENT DOCUMENTS

D215,224 S	9/1969	Cohn	
D228,400 S *	9/1973	Novak, Jr.	D21/428
D247,862 S	5/1978	Nakao et al.	
D249,029 S	8/1978	Bossons	
D257,375 S *	10/1980	Nottingham et al.	D21/428
D287,610 S	1/1987	Nicholls	
D352,074 S *	11/1994	Bunn, Jr.	D21/428
D389,533 S *	1/1998	Maxwell	D21/428
D416,591 S *	11/1999	Frederiksen	D21/493

D444,825 S *	7/2001	Child et al.	D21/428
D587,322 S	2/2009	Child et al.	
D603,467 S	11/2009	Kelly	
D606,596 S *	12/2009	Kruger	D21/427
D638,885 S *	5/2011	Herlitz et al.	D21/419
D652,456 S	1/2012	Child et al.	
D653,294 S *	1/2012	Loveland et al.	D21/419
D688,428 S *	8/2013	Yueh	D32/21
D711,971 S *	8/2014	Child	D21/428

OTHER PUBLICATIONS

Notice of Allowance and Fee(s) Due issued by the U.S. Patent and Trademark office for U.S. Appl. No. 29/460,945 on Apr. 8, 2014. Certificate of Registration dated Jan. 17, 2013 for No. 002168179-0001.

* cited by examiner

Primary Examiner — Cynthia M Chin

(74) *Attorney, Agent, or Firm* — The Marbury Law Group, PLLC

(57) **CLAIM**

The ornamental design for a riding toy, as shown and described.

DESCRIPTION

FIG. 1 is a front/right side perspective view of the riding toy design.

FIG. 2 is a front view of the riding toy design.

FIG. 3 is a rear view of the riding toy design.

FIG. 4 is a right side view of the riding toy design.

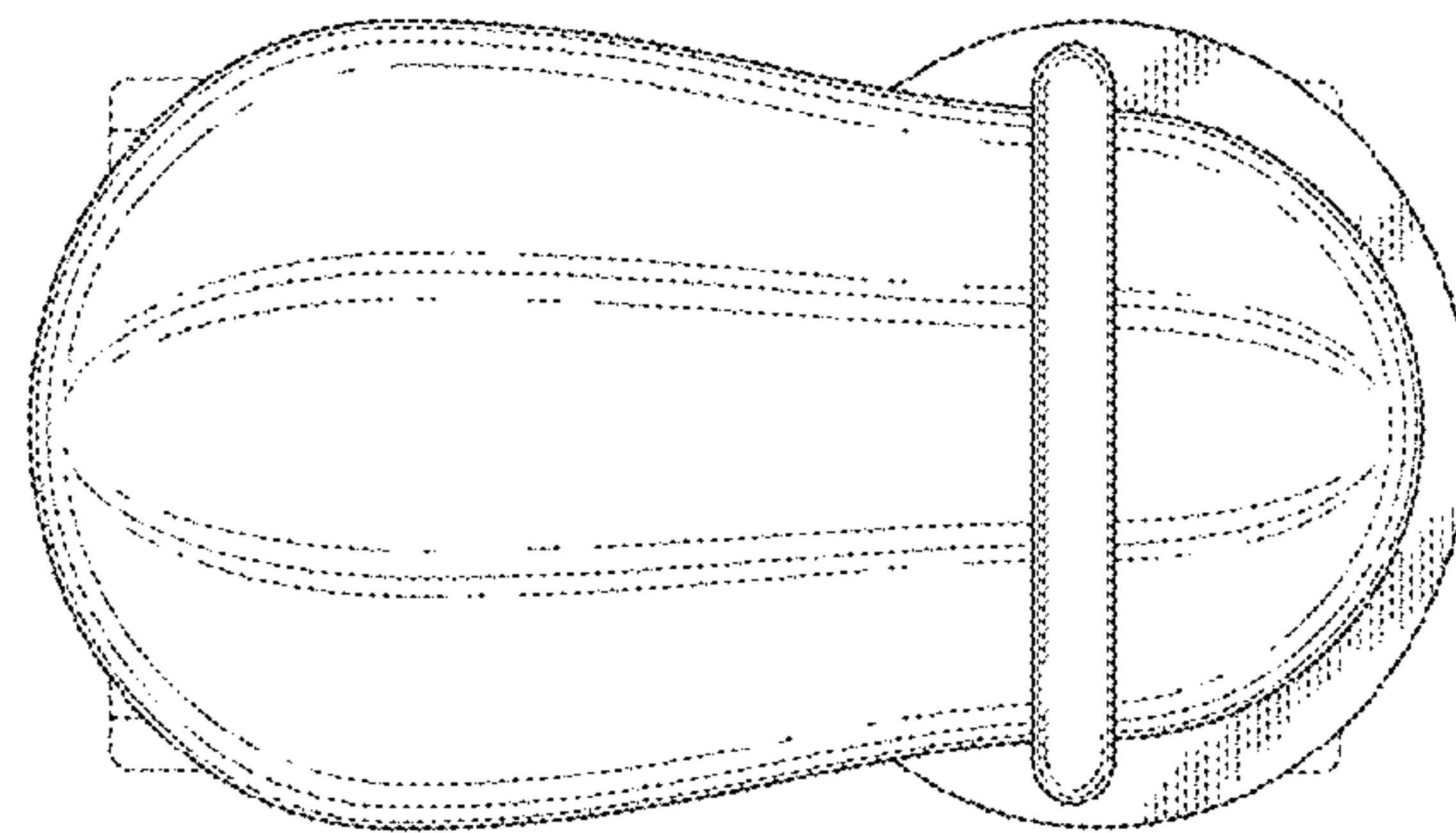
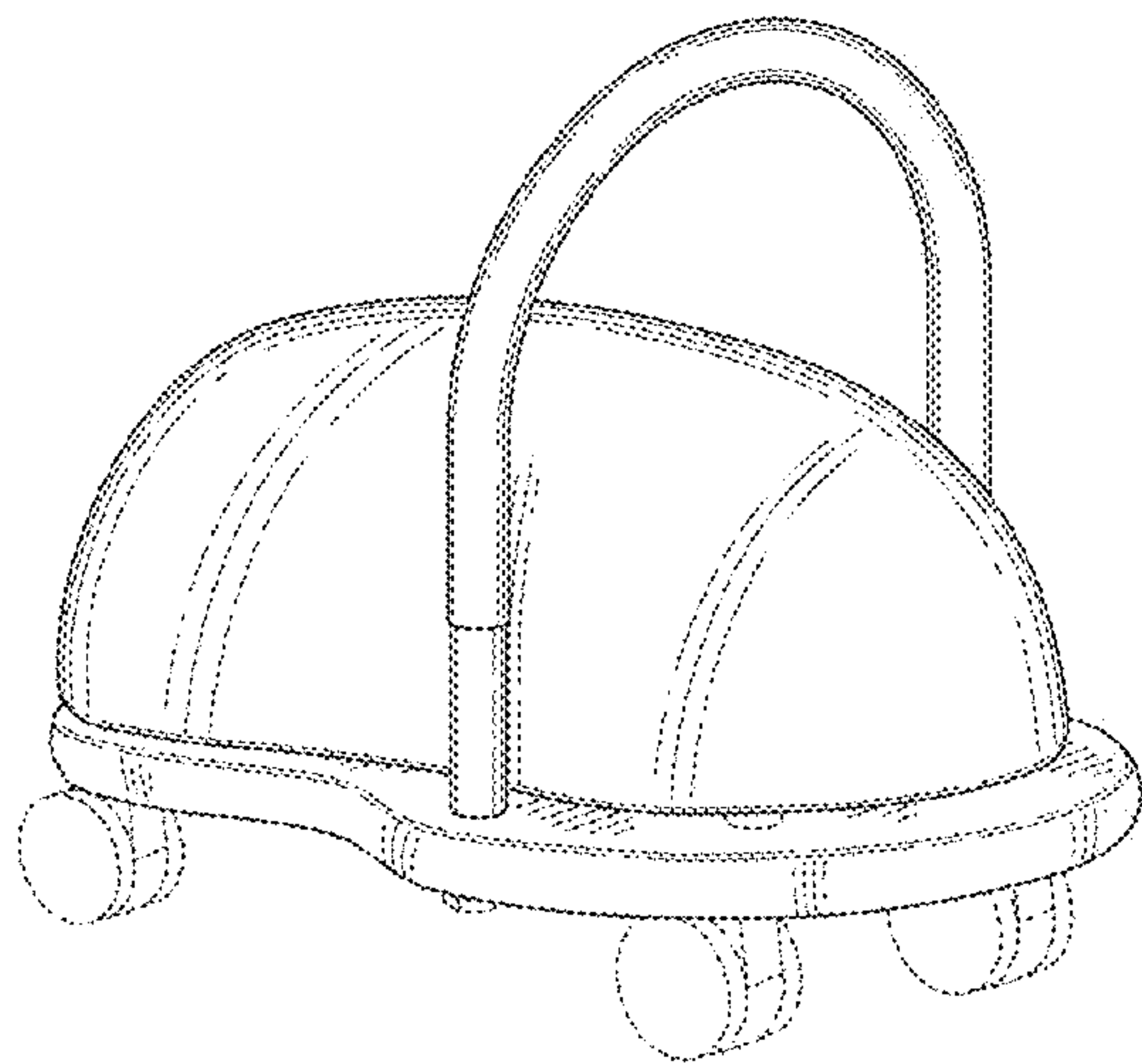
FIG. 5 is a left side view of the riding toy design.

FIG. 6 is a top view of the riding toy design; and,

FIG. 7 is a bottom view of the riding toy design.

The broken lines shown in FIGS. 1-7 represent portions of the riding toy that form no part of the claim.

1 Claim, 7 Drawing Sheets



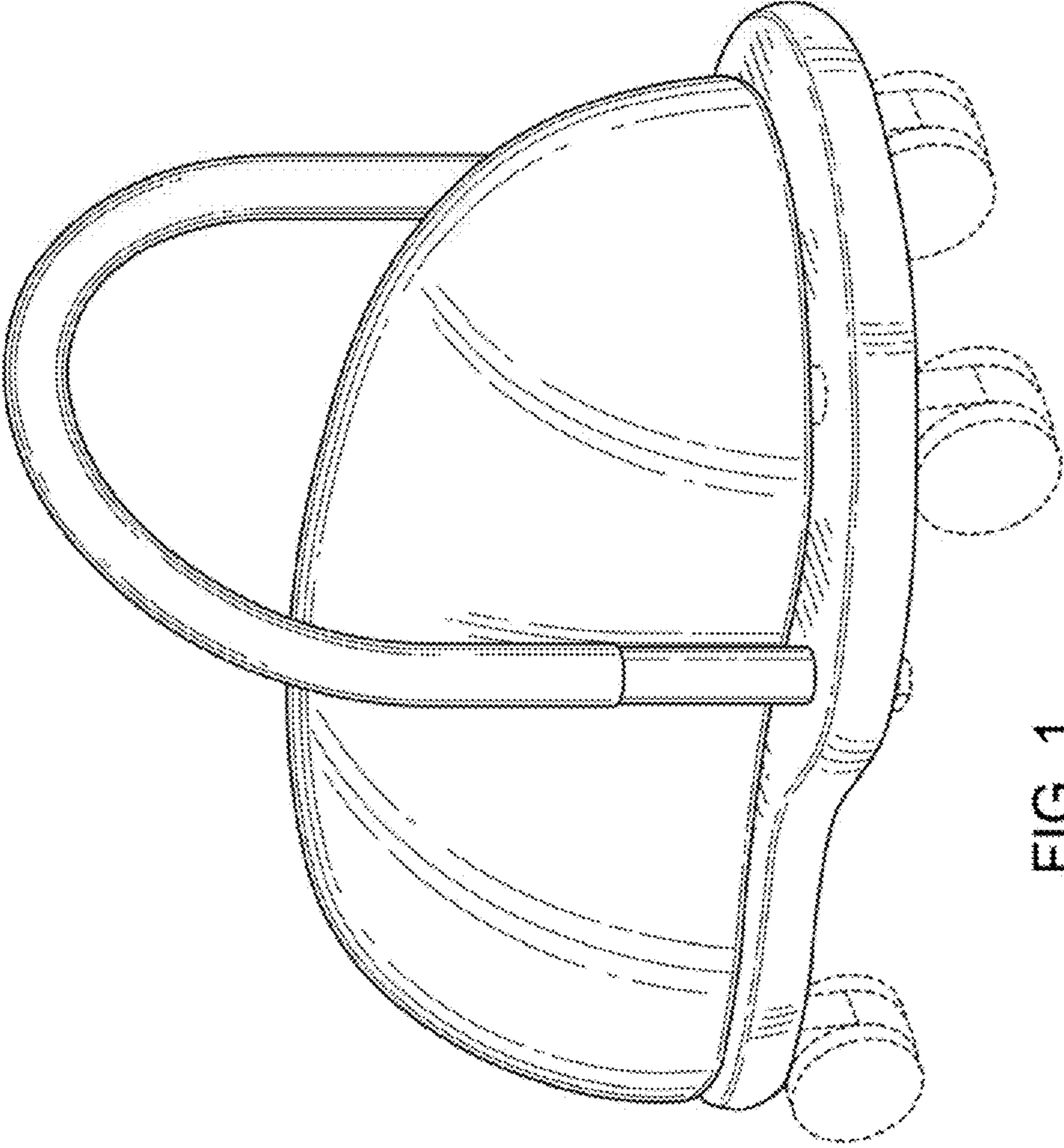


FIG. 1

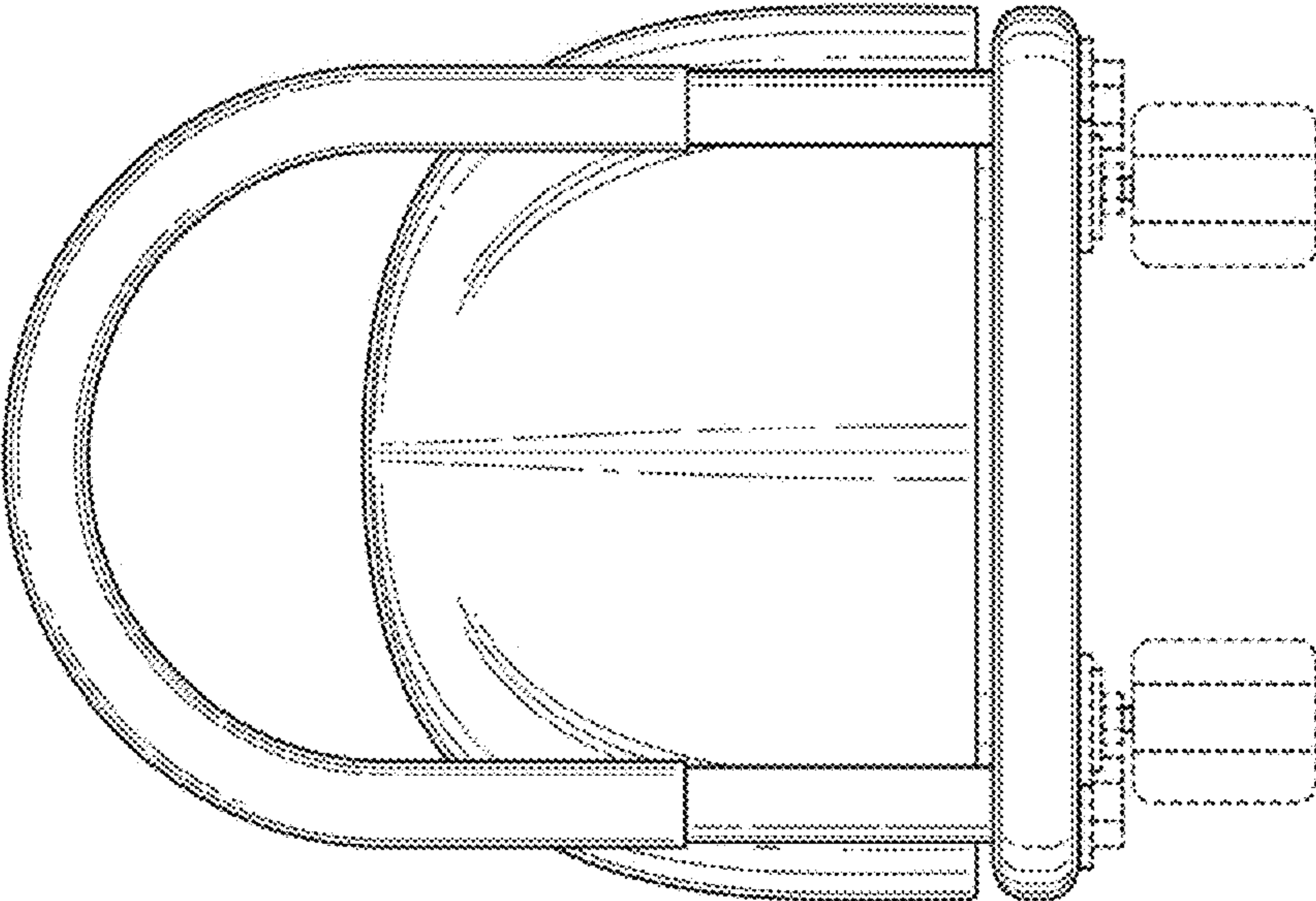


FIG. 2

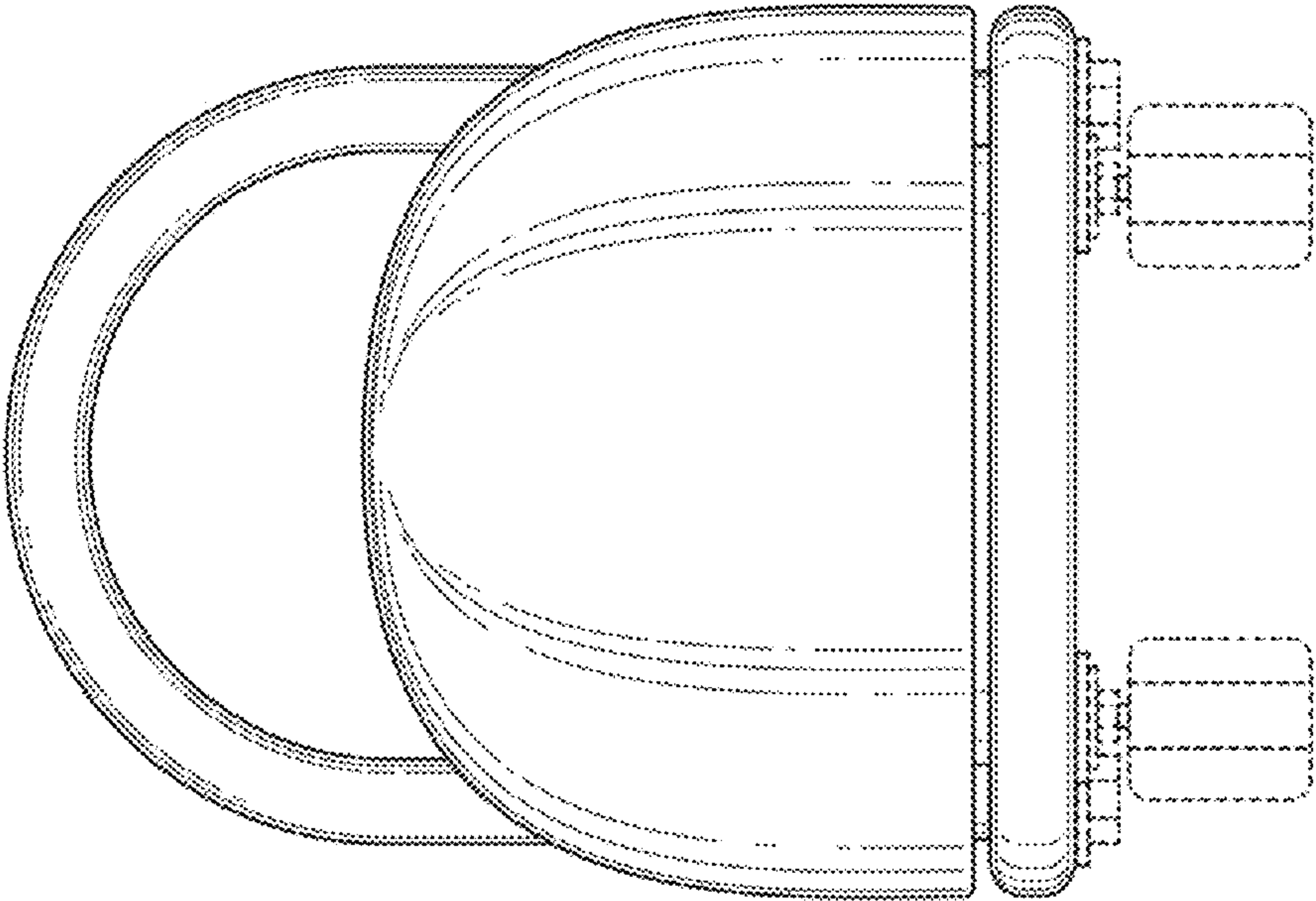


FIG. 3

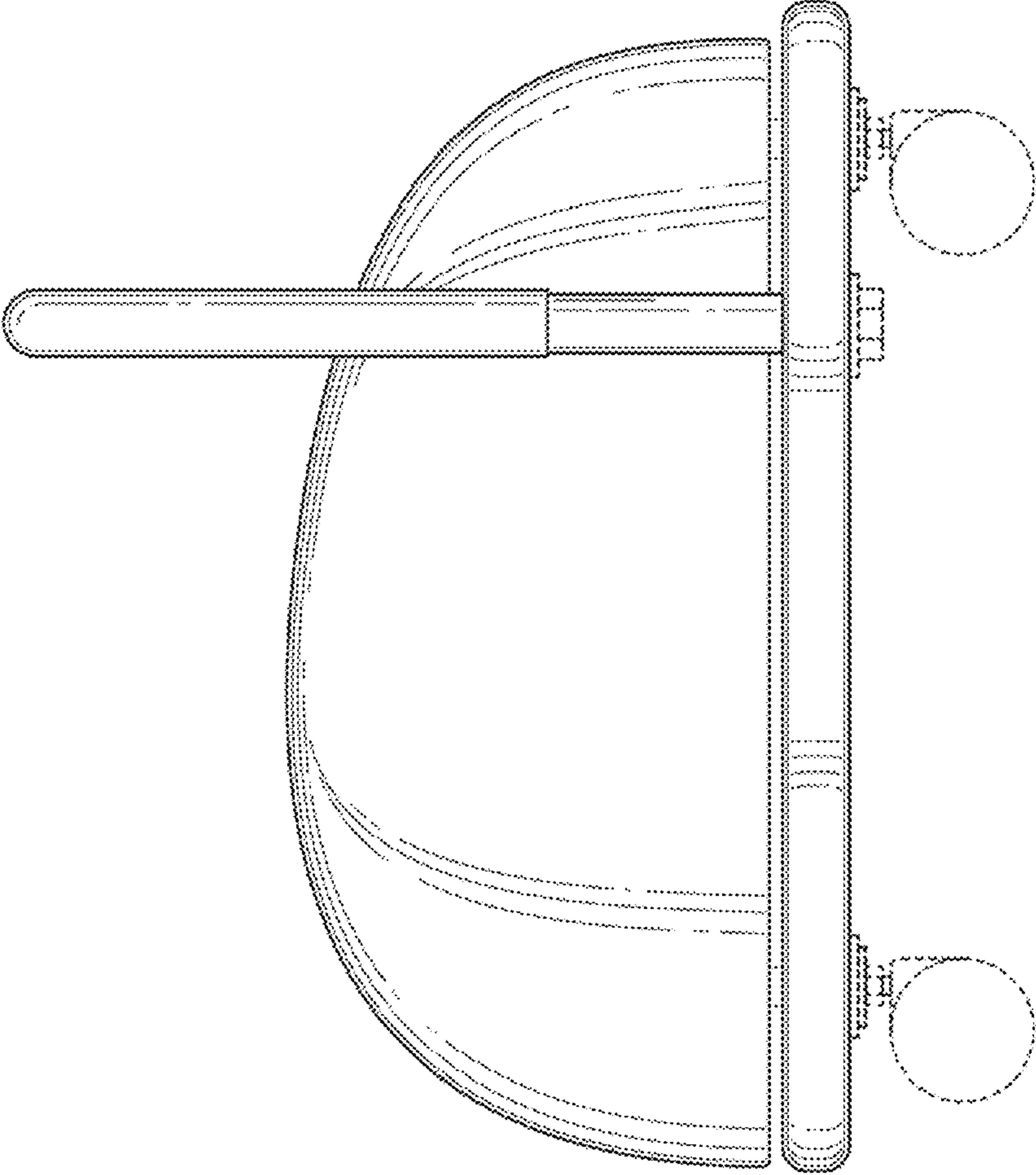


FIG. 4

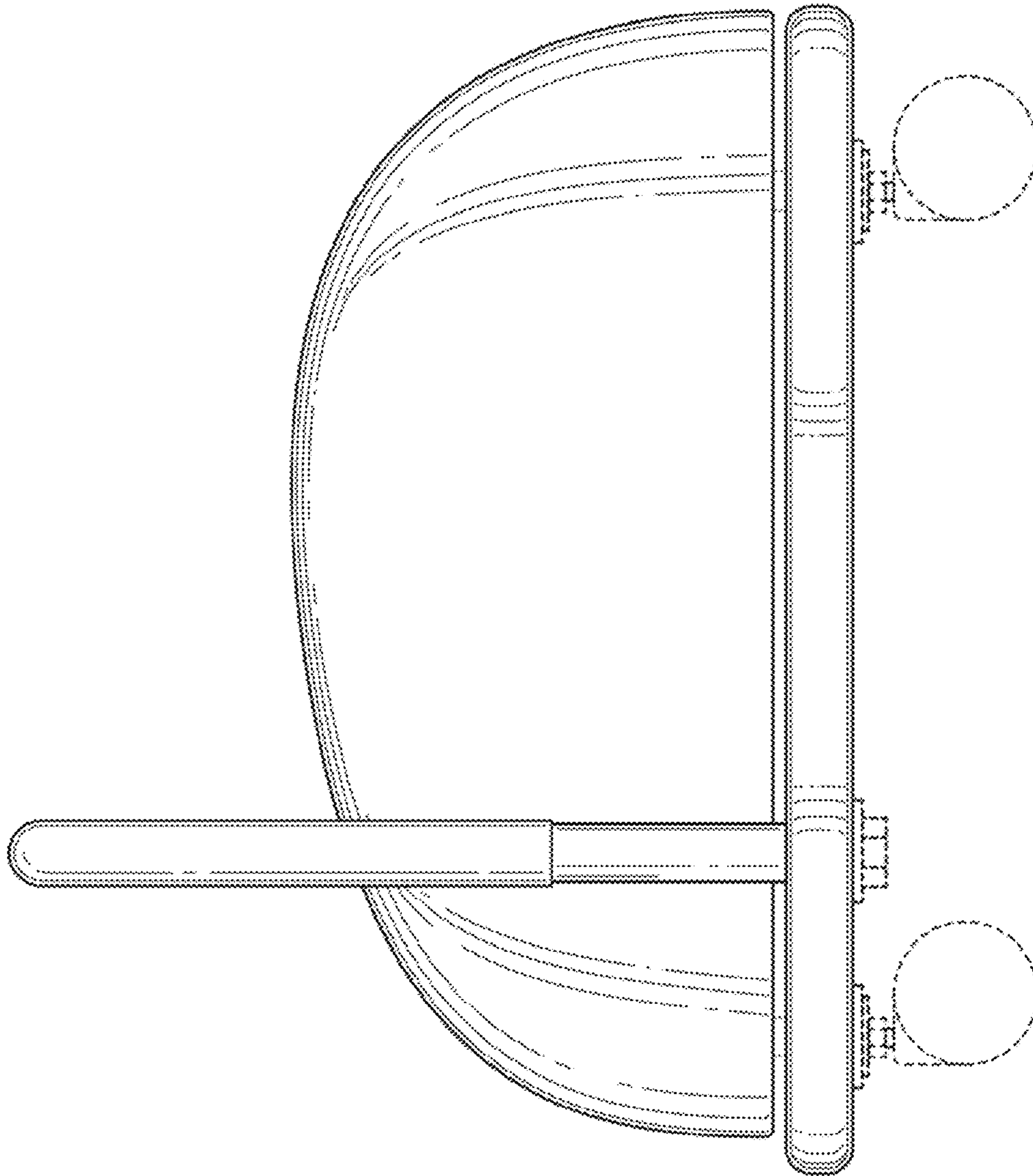


FIG. 5

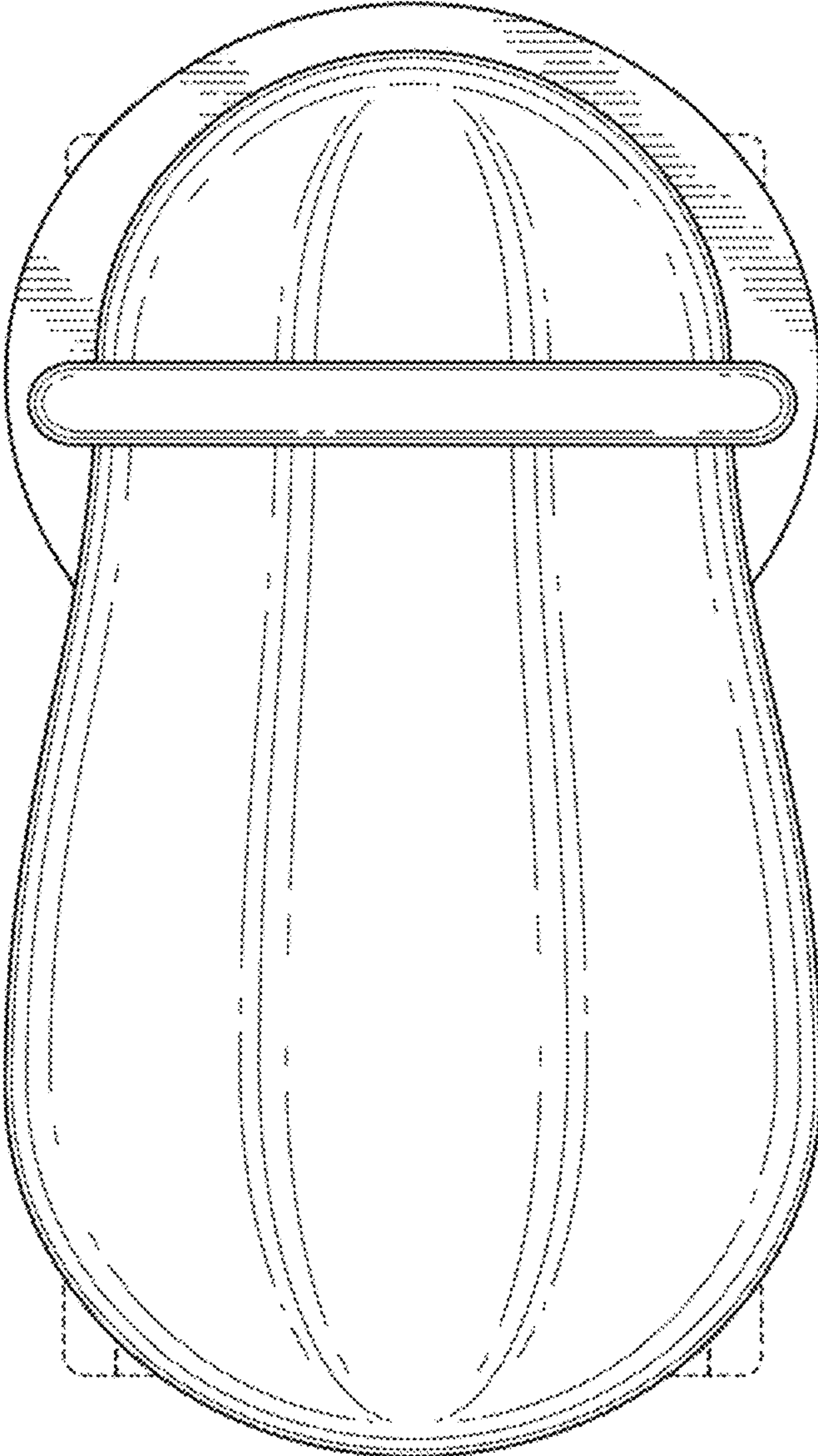


FIG. 6

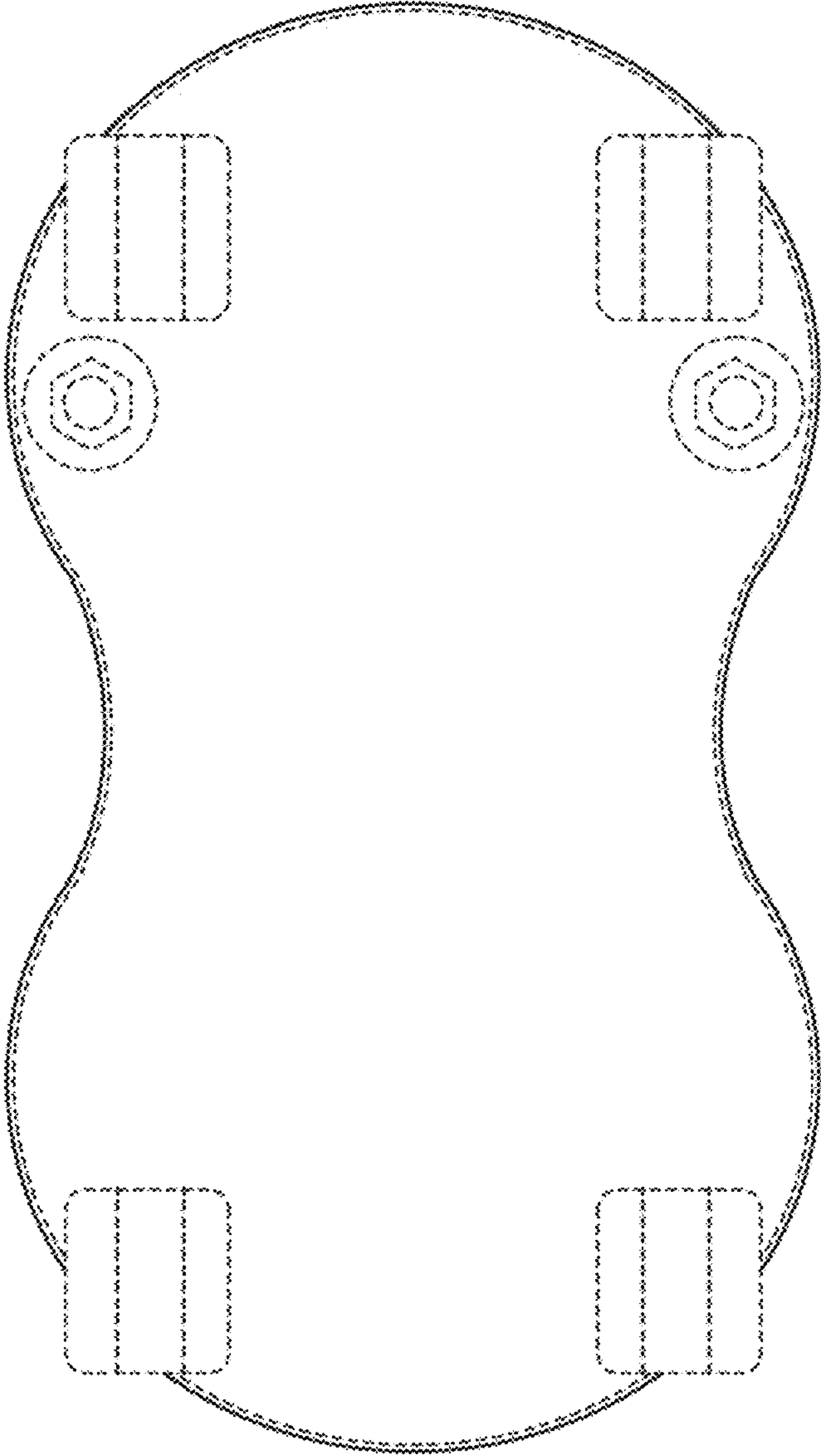


FIG. 7