



US00D725192S

(12) **United States Design Patent**
Wu

(10) **Patent No.:** **US D725,192 S**
(45) **Date of Patent:** **** Mar. 24, 2015**

(54) **PEN HOLDER**

(71) Applicant: **Lien Wu**, New York, NY (US)

(72) Inventor: **Lien Wu**, New York, NY (US)

(**) Term: **14 Years**

(21) Appl. No.: **29/473,022**

(22) Filed: **Nov. 18, 2013**

(51) **LOC (10) Cl.** **19-06**

(52) **U.S. Cl.**
USPC **D19/85**

(58) **Field of Classification Search**
USPC D3/206; D6/512, 708, 708.16, 672,
D6/682.1, 682.2; D7/701-708;
D19/77-85, 91; 24/15, 3.2, 3.4, 3.5,
24/3.6; D8/396; 206/214; 211/69,
211/69.1-69.9, 70; 312/258
See application file for complete search history.

(56) **References Cited**

U.S. PATENT DOCUMENTS

4,620,683 A * 11/1986 Claydon et al. 248/97
D296,279 S * 6/1988 Baldree et al. D6/462
D314,845 S * 2/1991 Seamster, Jr. D32/4

D324,748 S * 3/1992 Bagamery D34/5
D336,099 S * 6/1993 Schoenig D19/7
D341,500 S * 11/1993 Klein et al. D6/411
D613,975 S * 4/2010 Davis D6/499
D662,735 S * 7/2012 Polidoros D6/499
D677,082 S * 3/2013 Kemnitzer et al. D6/708.16
D700,654 S * 3/2014 Wu D19/91
D703,473 S * 4/2014 Polidoros D6/708
2014/0084765 A1 * 3/2014 Riley 312/258

* cited by examiner

Primary Examiner — Elizabeth Albert

(74) *Attorney, Agent, or Firm* — QuickPatents; Kevin Prince

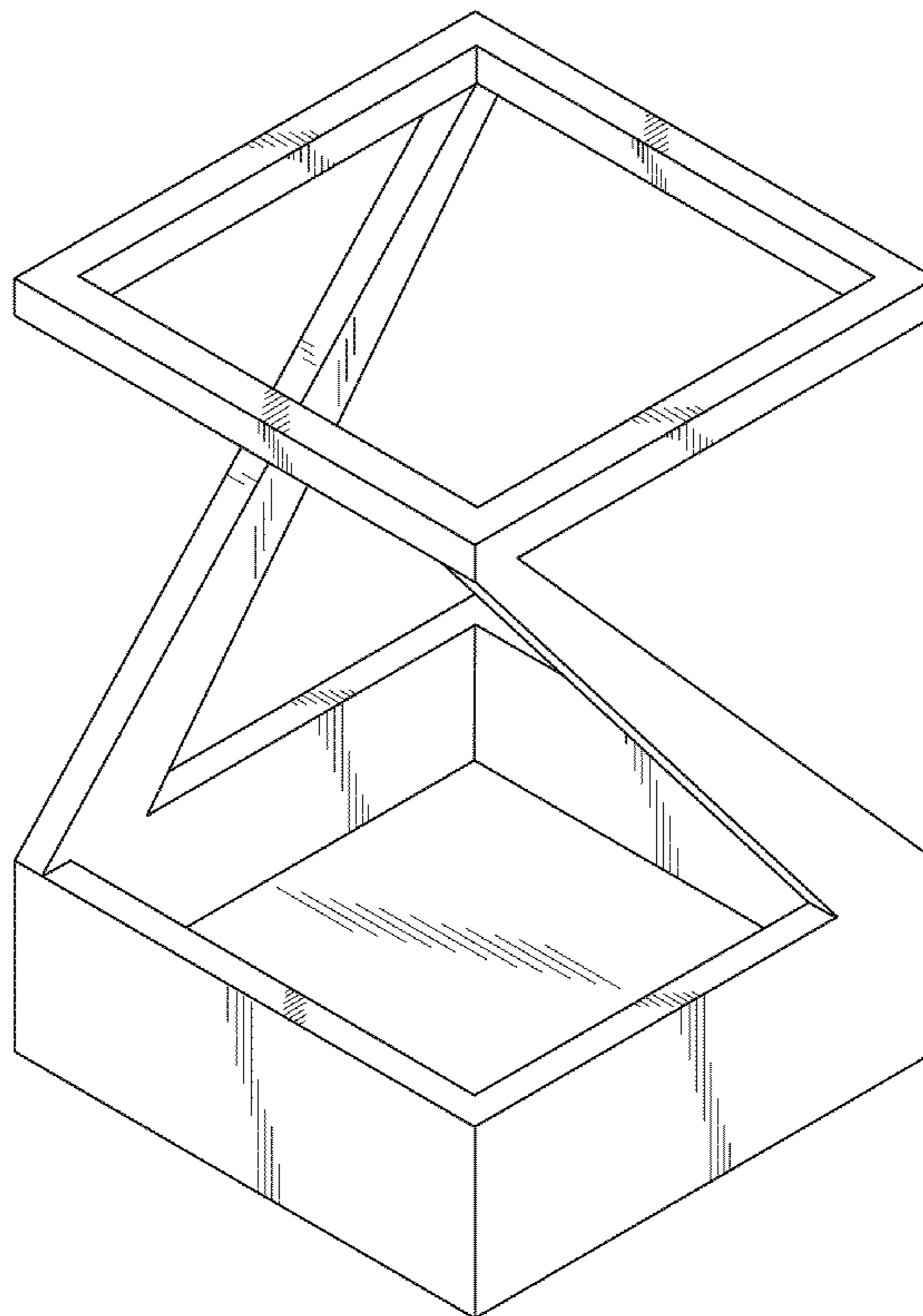
(57) **CLAIM**

I claim the ornamental design for a pen holder, as shown and described.

DESCRIPTION

FIG. 1 is a perspective view of a pen holder, showing my new design;
FIG. 2 is a front elevational view thereof;
FIG. 3 is a rear elevational view thereof;
FIG. 4 is a left-side elevational view thereof, the right-side elevational view being a mirror image thereof;
FIG. 5 is a top plan view thereof; and,
FIG. 6 is a bottom plan view thereof.

1 Claim, 3 Drawing Sheets



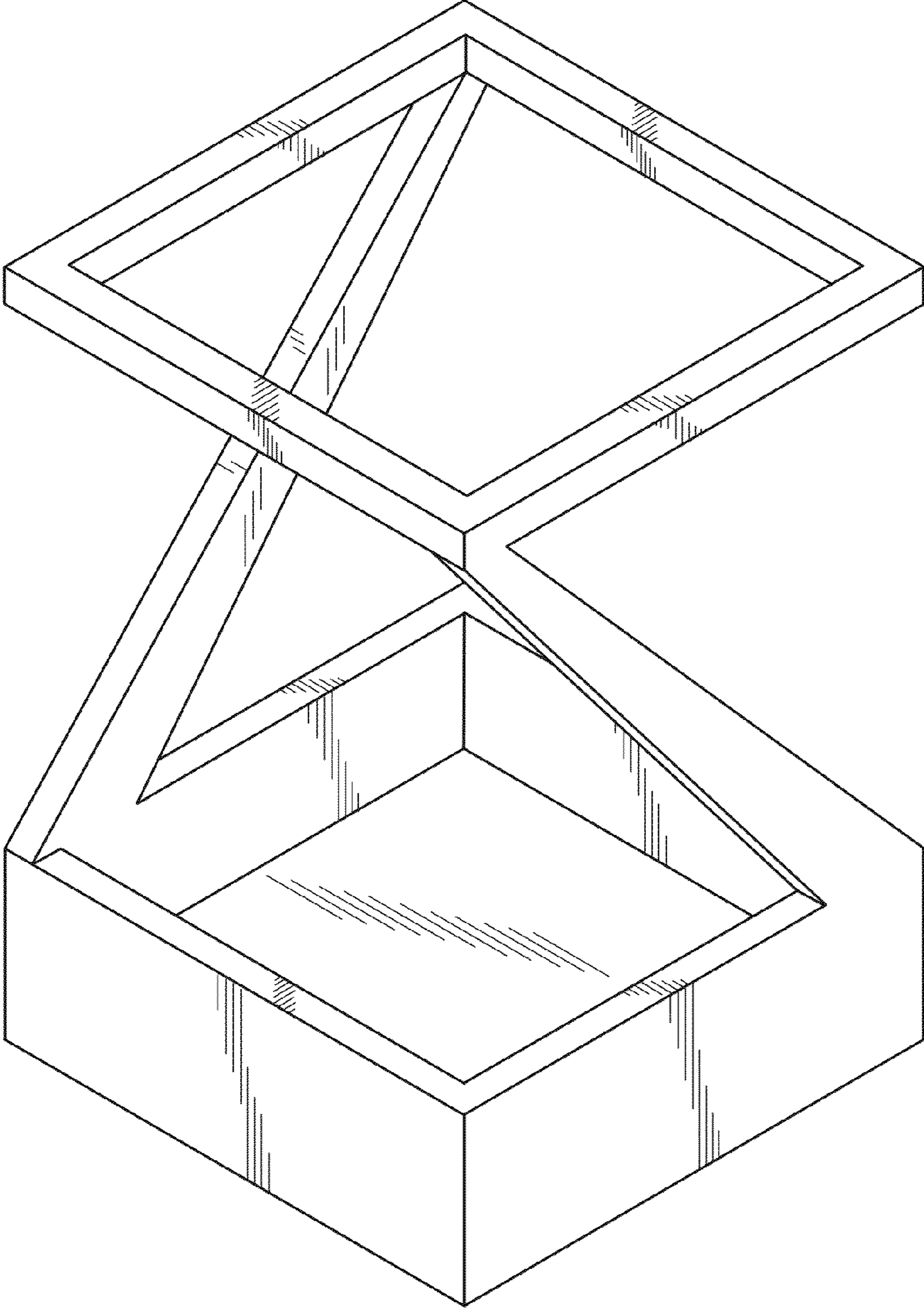


FIG. 1

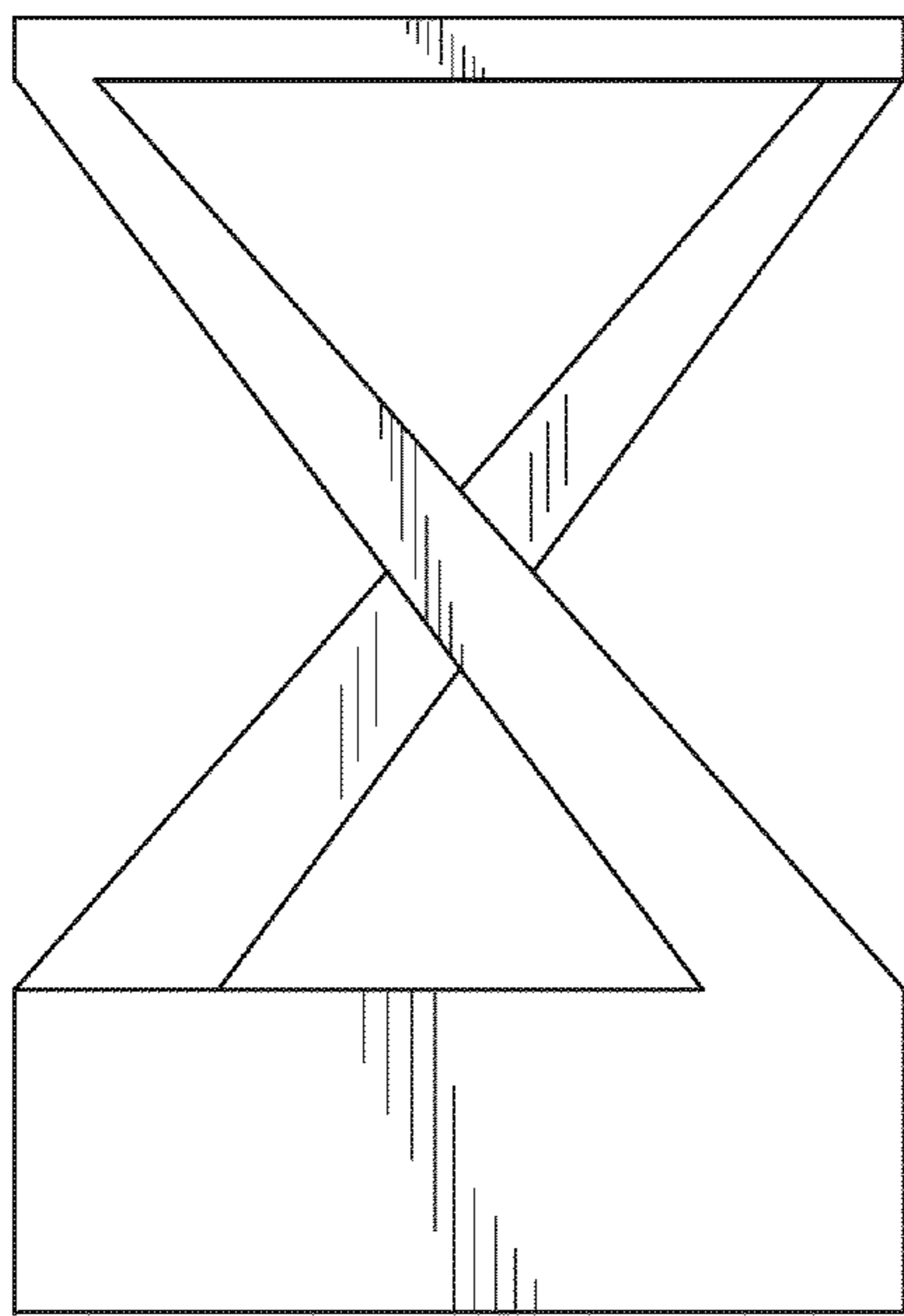


FIG. 2

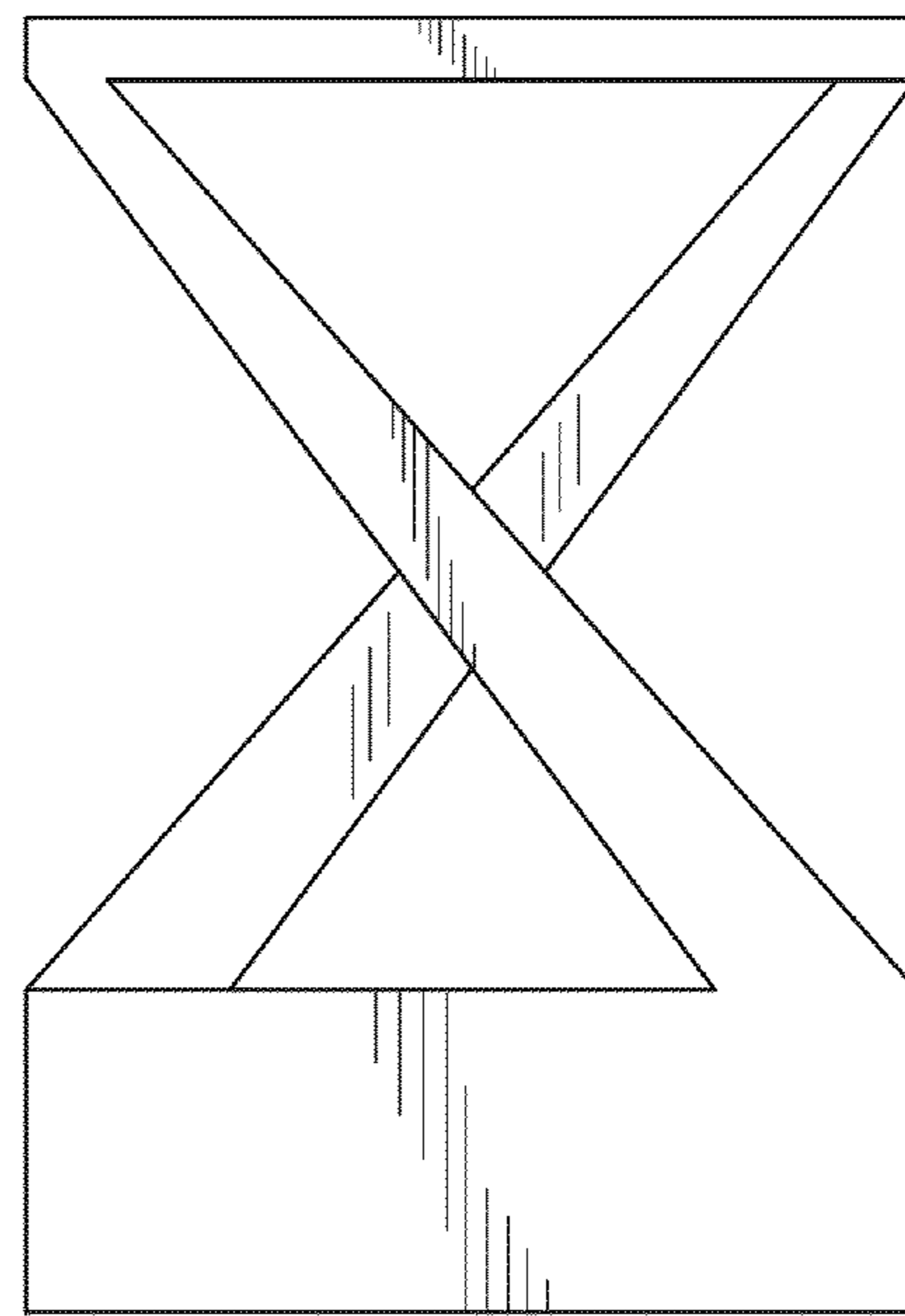


FIG. 3

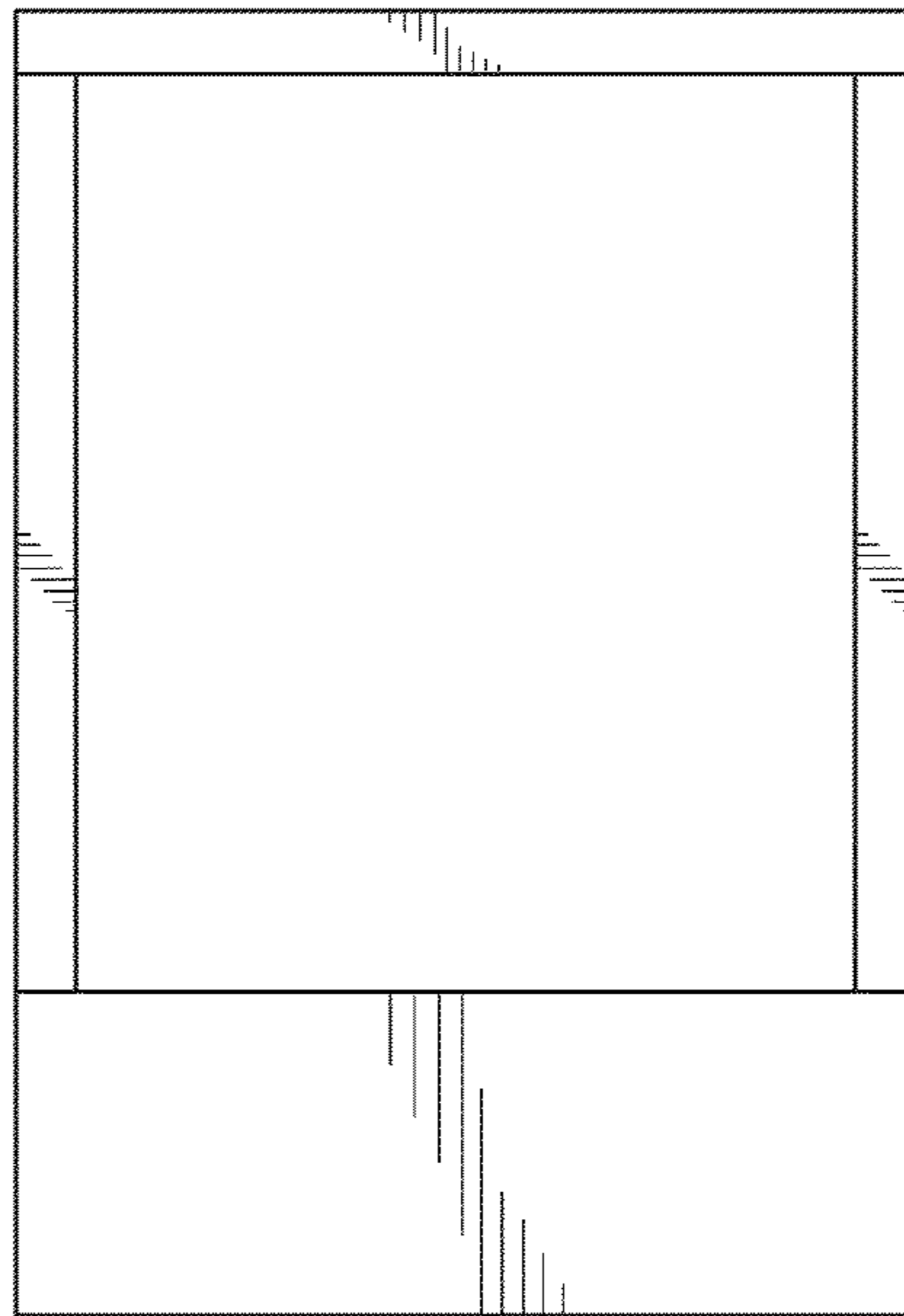


FIG. 4

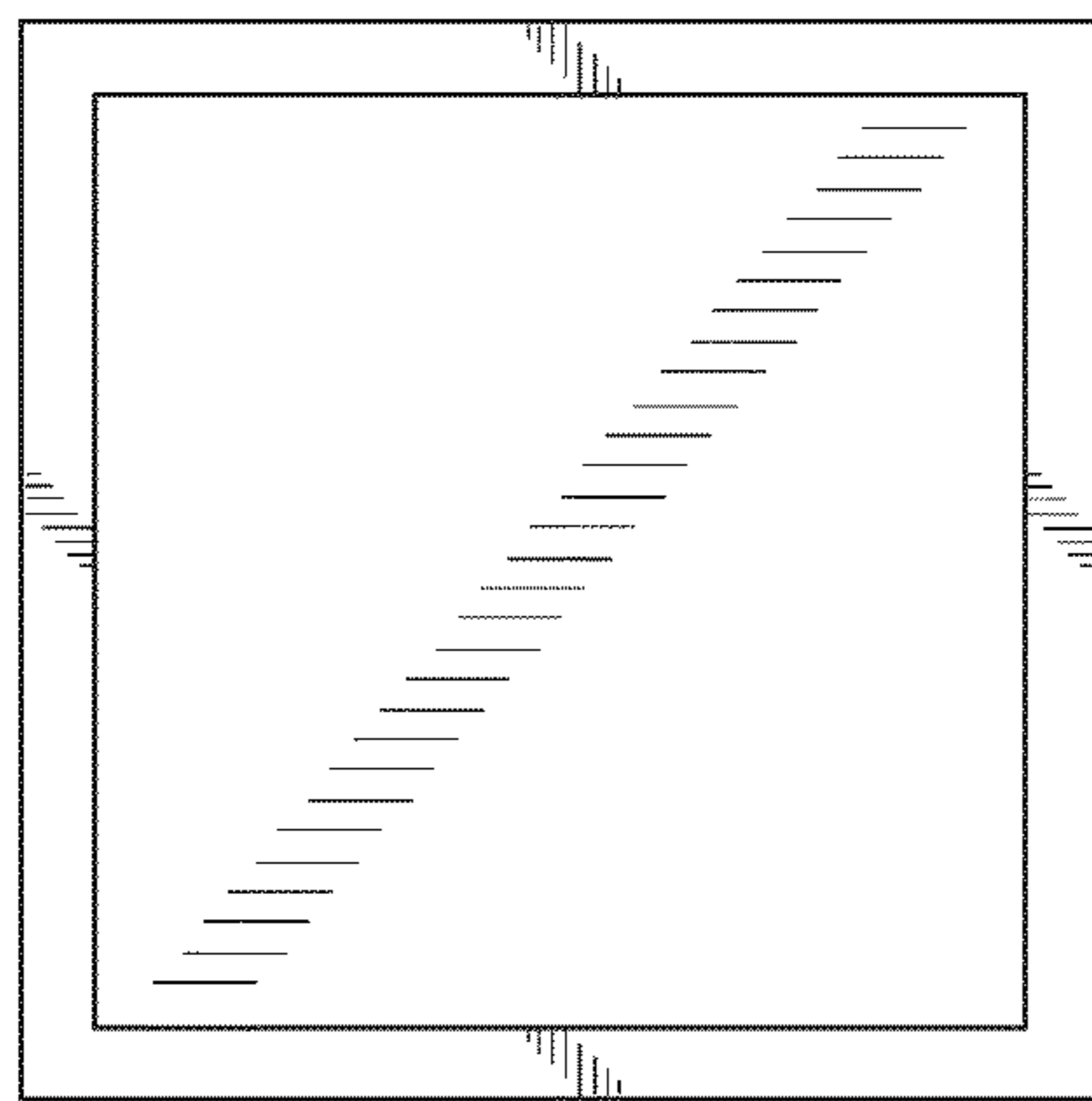


FIG. 5

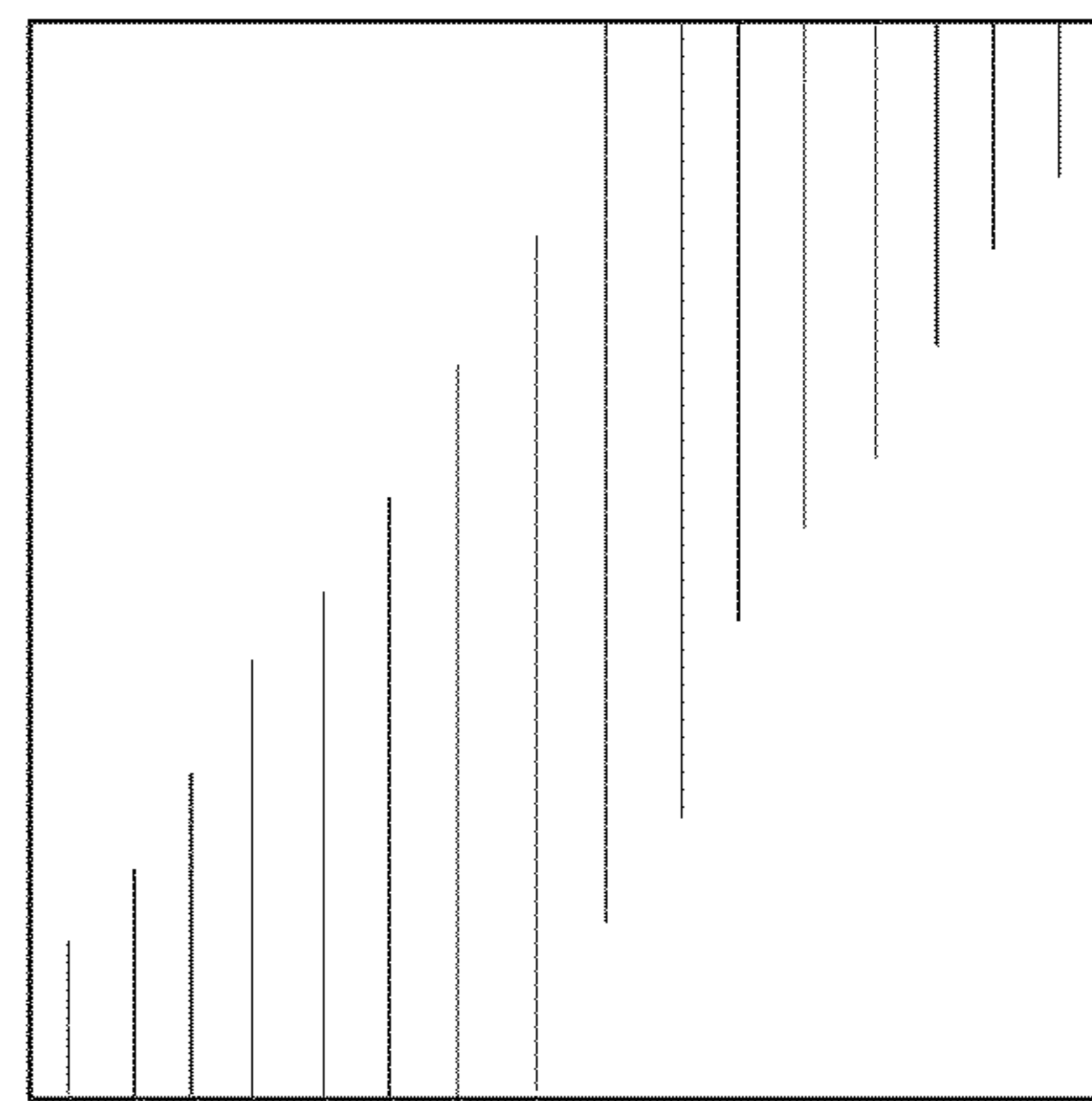


FIG. 6