

US00D725184S

(12) **United States Design Patent**  
**Kim et al.**

(10) **Patent No.:** **US D725,184 S**  
(45) **Date of Patent:** **\*\* Mar. 24, 2015**

(54) **PRINTER**

(71) Applicants: **Jong-Kyu Kim**, Seoul (KR); **Sang-In Lee**, Seoul (KR); **Seung-Wook Jeong**, Seoul (KR); **Naoto Fukasawa**, Tokyo (JP)

(72) Inventors: **Jong-Kyu Kim**, Seoul (KR); **Sang-In Lee**, Seoul (KR); **Seung-Wook Jeong**, Seoul (KR); **Naoto Fukasawa**, Tokyo (JP)

(73) Assignee: **Samsung Electronics Co., Ltd.**, Suwon-si, Gyeonggi-do (KR)

(\*\*) Term: **14 Years**

(21) Appl. No.: **29/461,724**

(22) Filed: **Jul. 26, 2013**

(30) **Foreign Application Priority Data**

Feb. 19, 2013 (KR) ..... 30-2013-0008457

(51) **LOC (10) Cl.** ..... **14-02**

(52) **U.S. Cl.**  
USPC ..... **D18/55**

(58) **Field of Classification Search**  
USPC ..... D18/36-39, 50, 53, 54, 54.1, 55;  
D14/420-425, 462-470; 400/613,  
400/613.1-613.4, 690.1-690.4, 691-694  
See application file for complete search history.

(56) **References Cited**

**U.S. PATENT DOCUMENTS**

D421,455 S \* 3/2000 Kobayashi et al. .... D18/55  
D544,906 S \* 6/2007 Alfonso et al. .... D18/55  
7,246,963 B2 \* 7/2007 Nishimura ..... 400/692  
D555,722 S 11/2007 Bae et al.  
D562,886 S \* 2/2008 Egami et al. .... D18/55  
D578,494 S \* 10/2008 Hattori ..... D18/55  
D607,928 S 1/2010 Kim et al.  
D633,139 S 2/2011 Park et al.

D641,038 S 7/2011 Park et al.  
D641,395 S 7/2011 Park et al.  
D643,058 S \* 8/2011 Seki et al. .... D18/55  
D653,703 S \* 2/2012 Seki et al. .... D18/55  
D697,964 S \* 1/2014 Fukasawa et al. .... D18/55  
D697,965 S \* 1/2014 Fukasawa et al. .... D18/55  
D699,784 S \* 2/2014 Penke ..... D18/55

**OTHER PUBLICATIONS**

U.S. Appl. No. 29/426,323, Applicant: Naoto Fukasawa et al., filed Jul. 3, 2012 entitled Printer, D693,873.  
U.S. Appl. No. 29/415,216, Applicant: Jong-Kyu Kim et al., filed Mar. 8, 2012 entitled Printer, D696,717.  
U.S. Appl. No. 29/422,977, Applicant: Naoto Fukasawa et al., filed May 25, 2012 entitled Printer, D697,964.  
U.S. Appl. No. 29/415,218, Applicant: Jong-Kyu Kim et al., filed Mar. 8, 2012 entitled Printer, D696,343.  
U.S. Appl. No. 29/461,721, Applicant: Kyong-Hwan Kim et al., filed Jul. 26, 2013 entitled Printer, Co-Pending.  
U.S. Appl. No. 29/461,725, Applicant: Jong-Kyu Kim et al., filed Jul. 26, 2013 entitled Printer, Co-Pending.

\* cited by examiner

*Primary Examiner* — Cathy A MacCormac

(74) *Attorney, Agent, or Firm* — Flynn, Thiel, Boutell & Tanis, P.C.

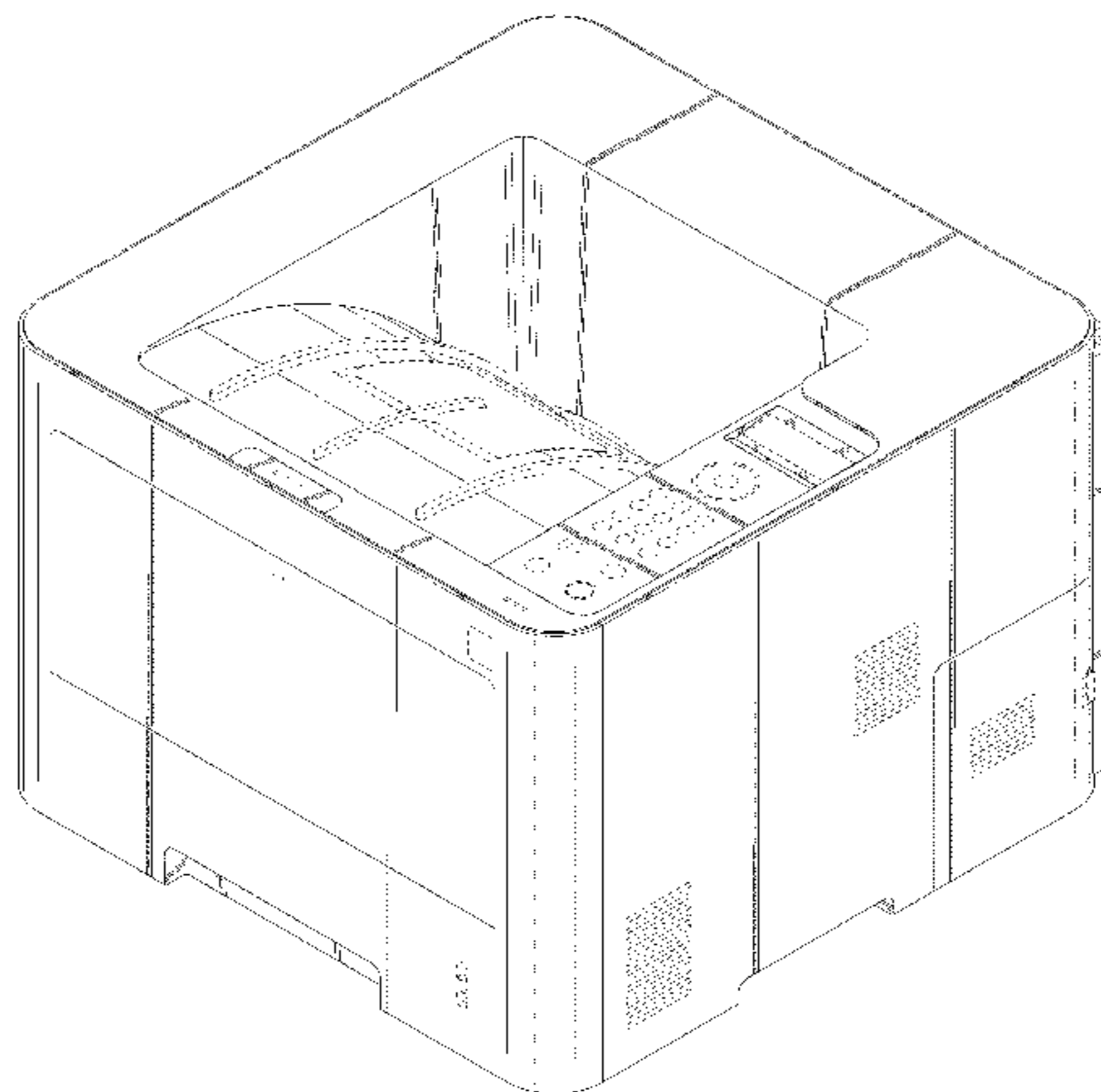
(57) **CLAIM**

The ornamental design for a printer, as shown and described.

**DESCRIPTION**

FIG. 1 is a top front perspective view of a printer showing our new design;  
FIG. 2 is a front view thereof;  
FIG. 3 is a rear view thereof;  
FIG. 4 is a left side view thereof;  
FIG. 5 is a right side view thereof;  
FIG. 6 is a top view thereof; and,  
FIG. 7 is a bottom view thereof.  
The broken lines illustrating portions of the printer are for environmental purposes only and form no part of the claimed design.

**1 Claim, 5 Drawing Sheets**



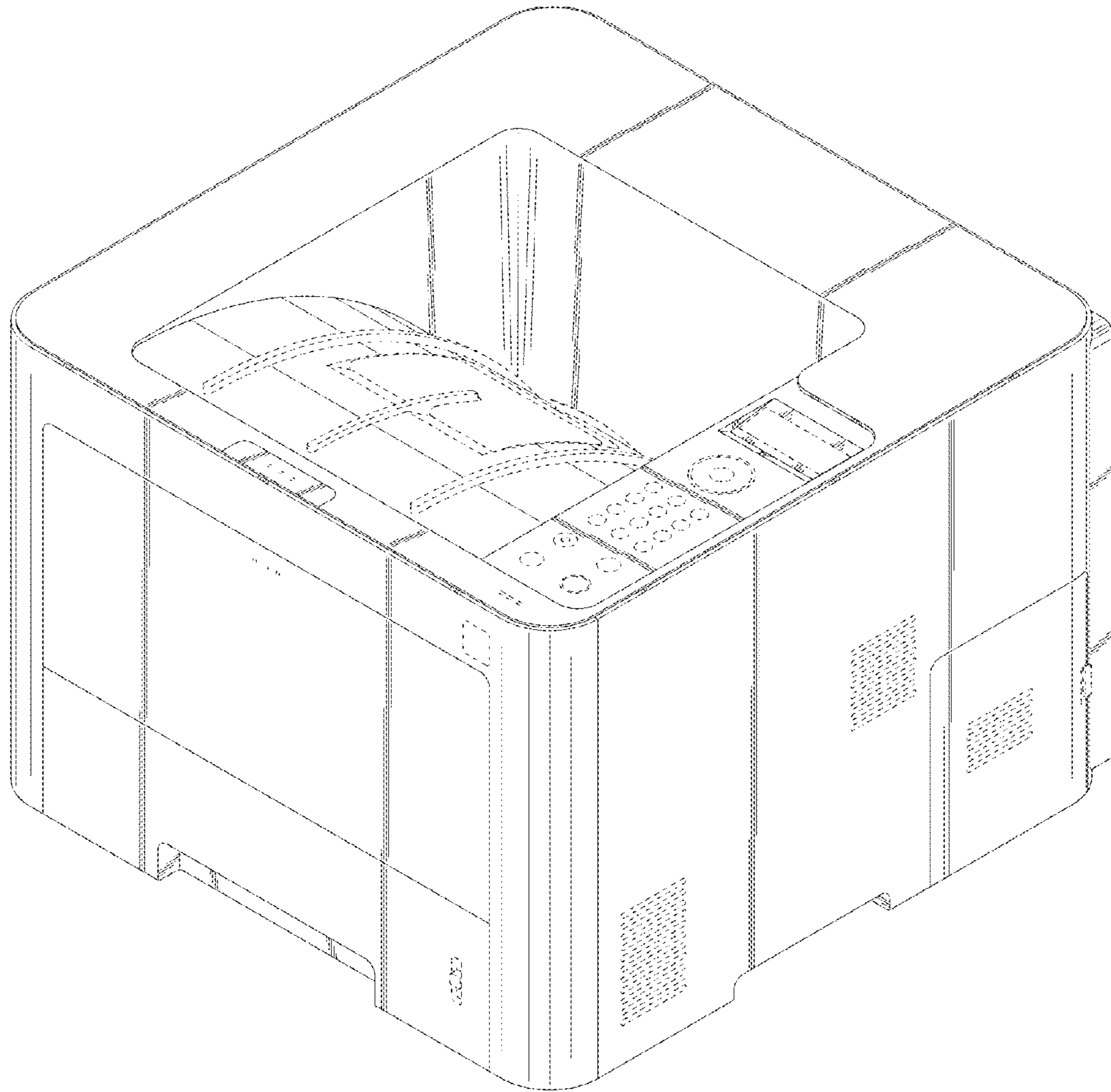


FIG. 1

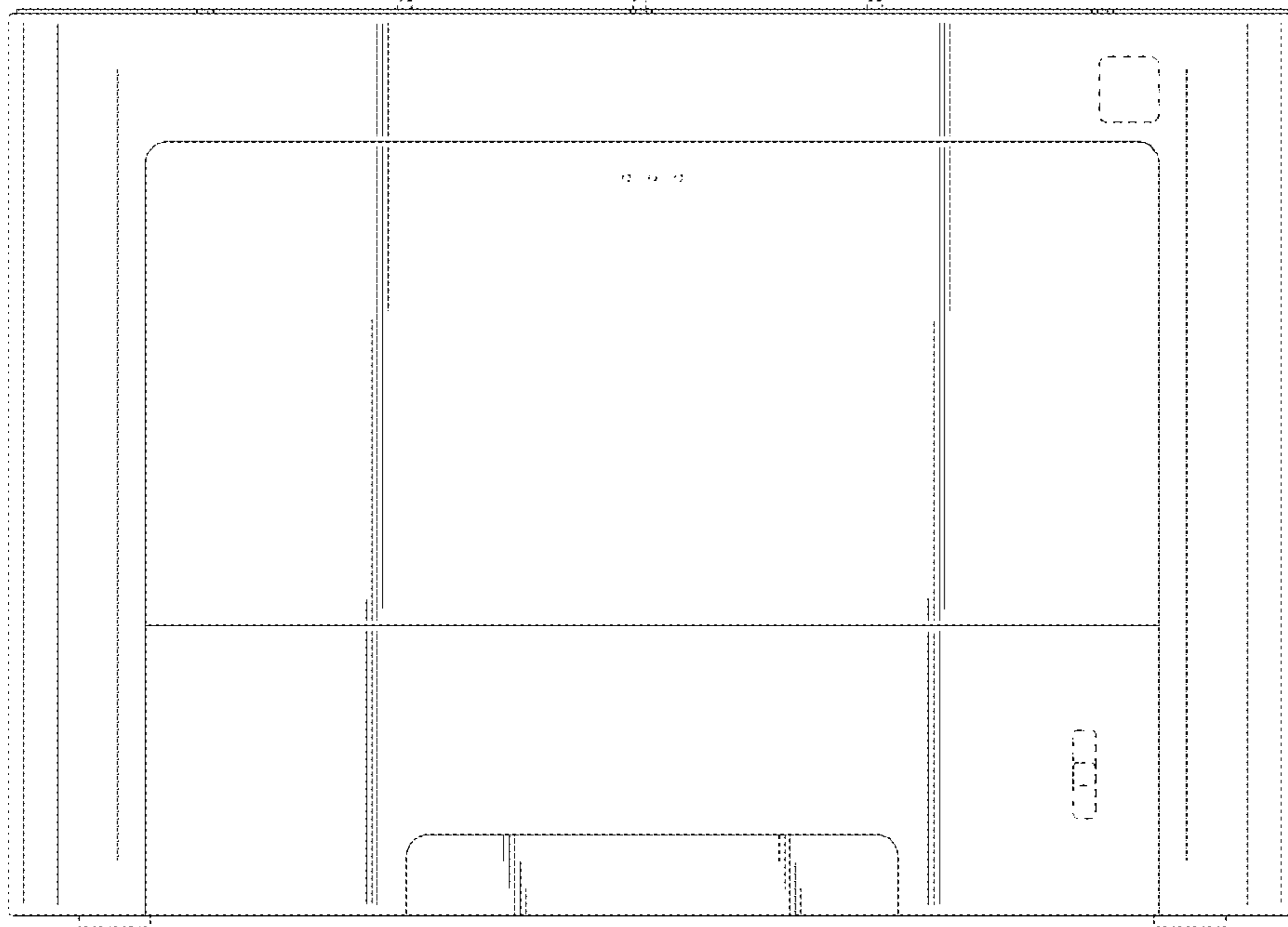


FIG. 2

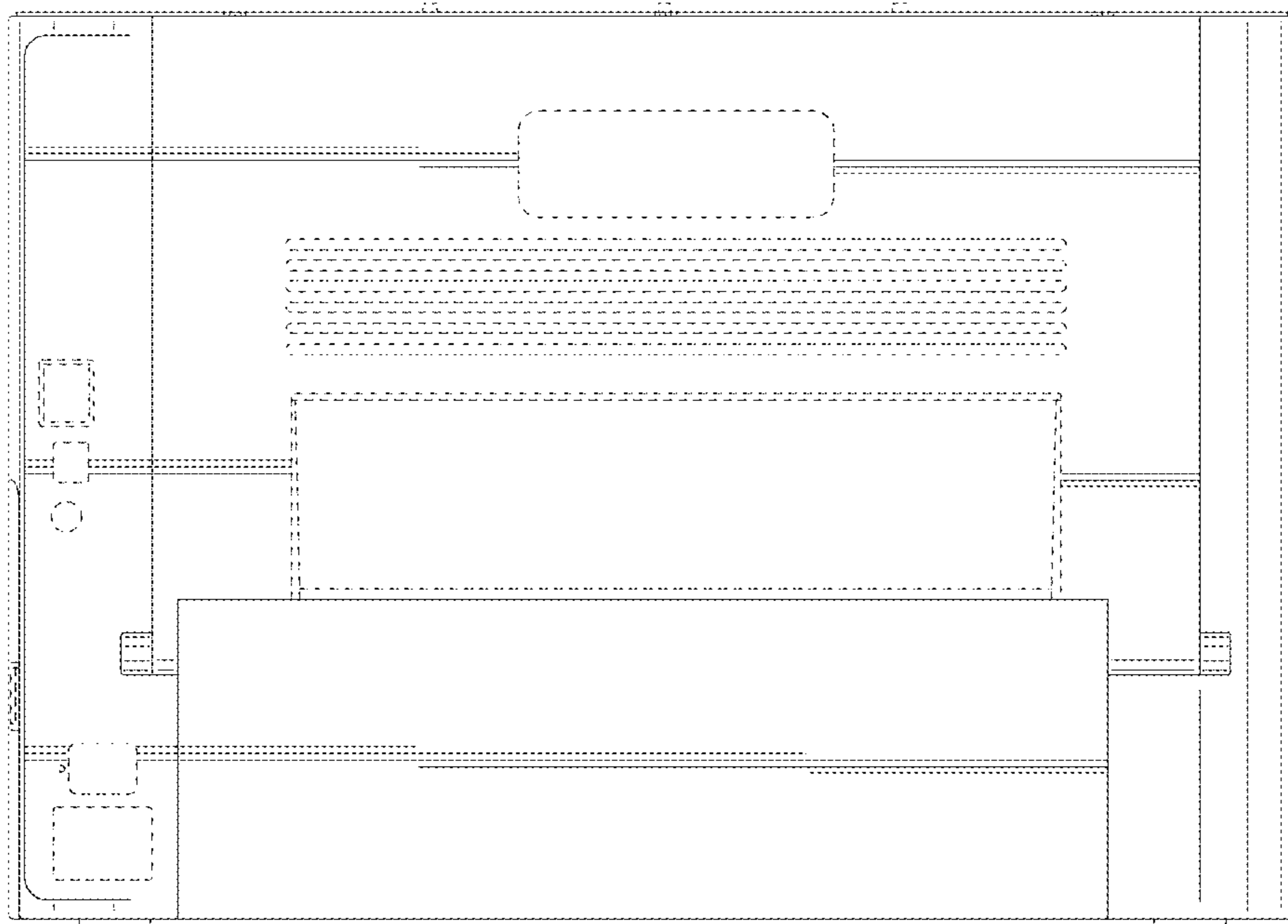


FIG. 3

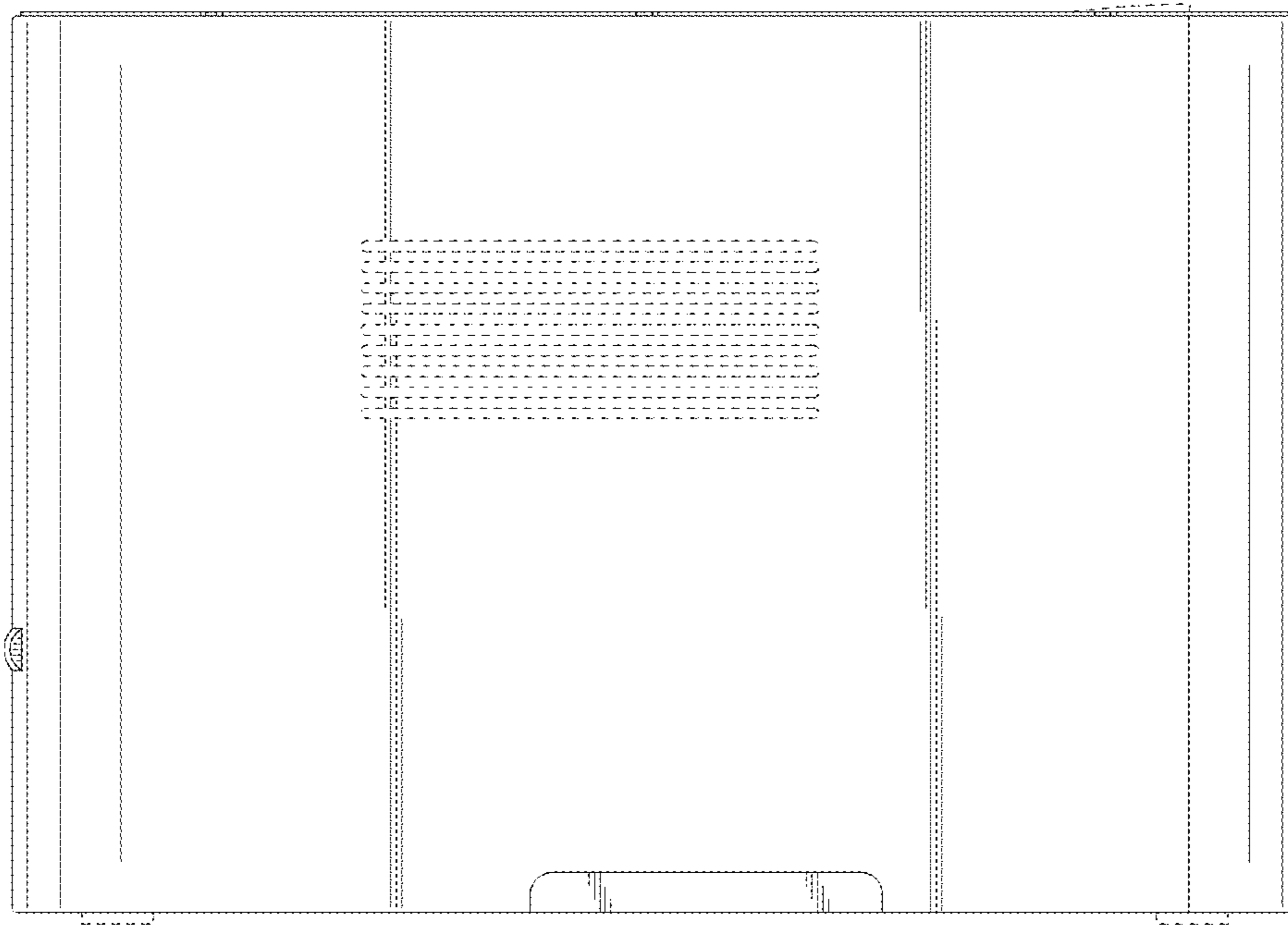


FIG. 4

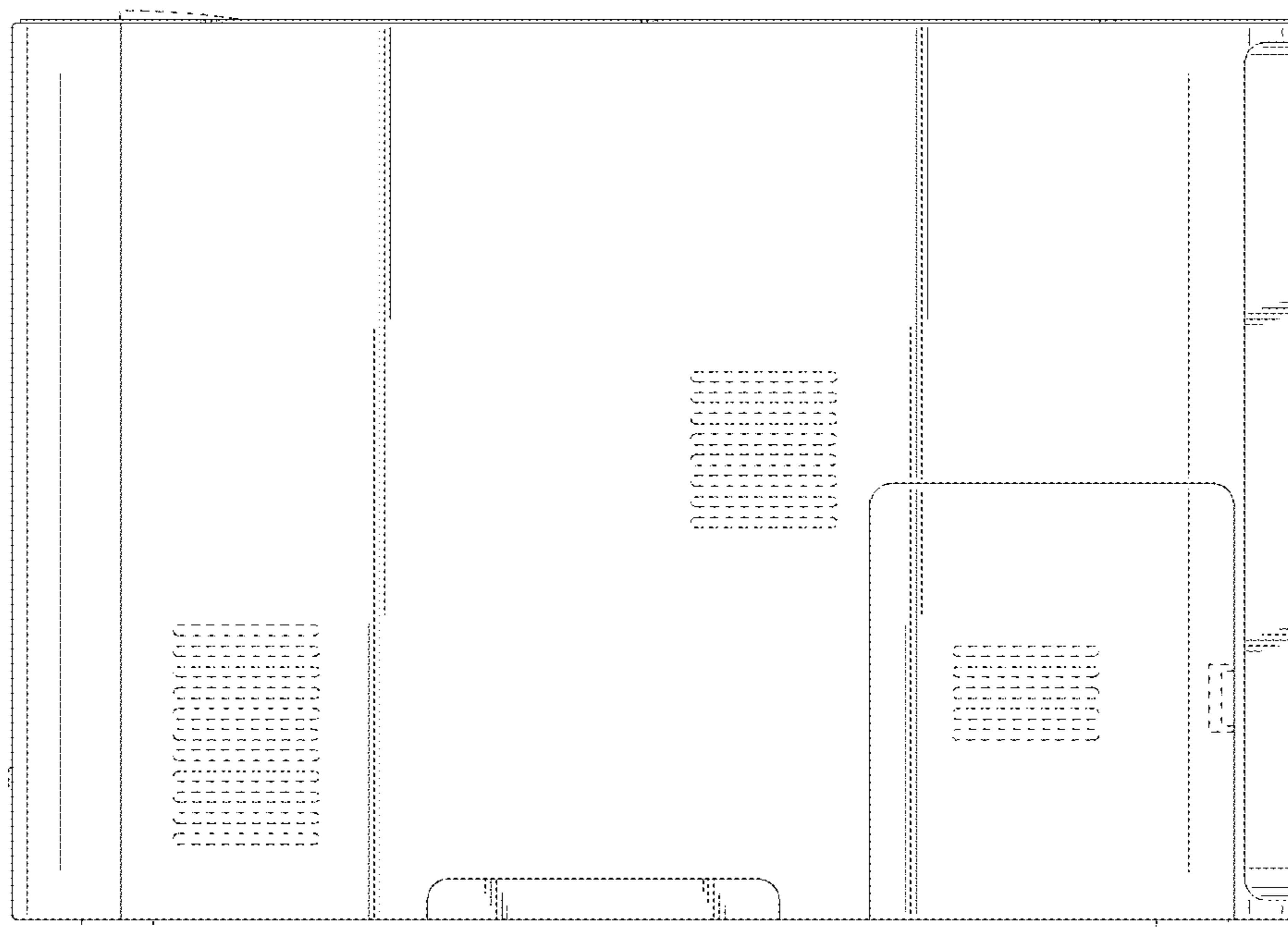


FIG. 5

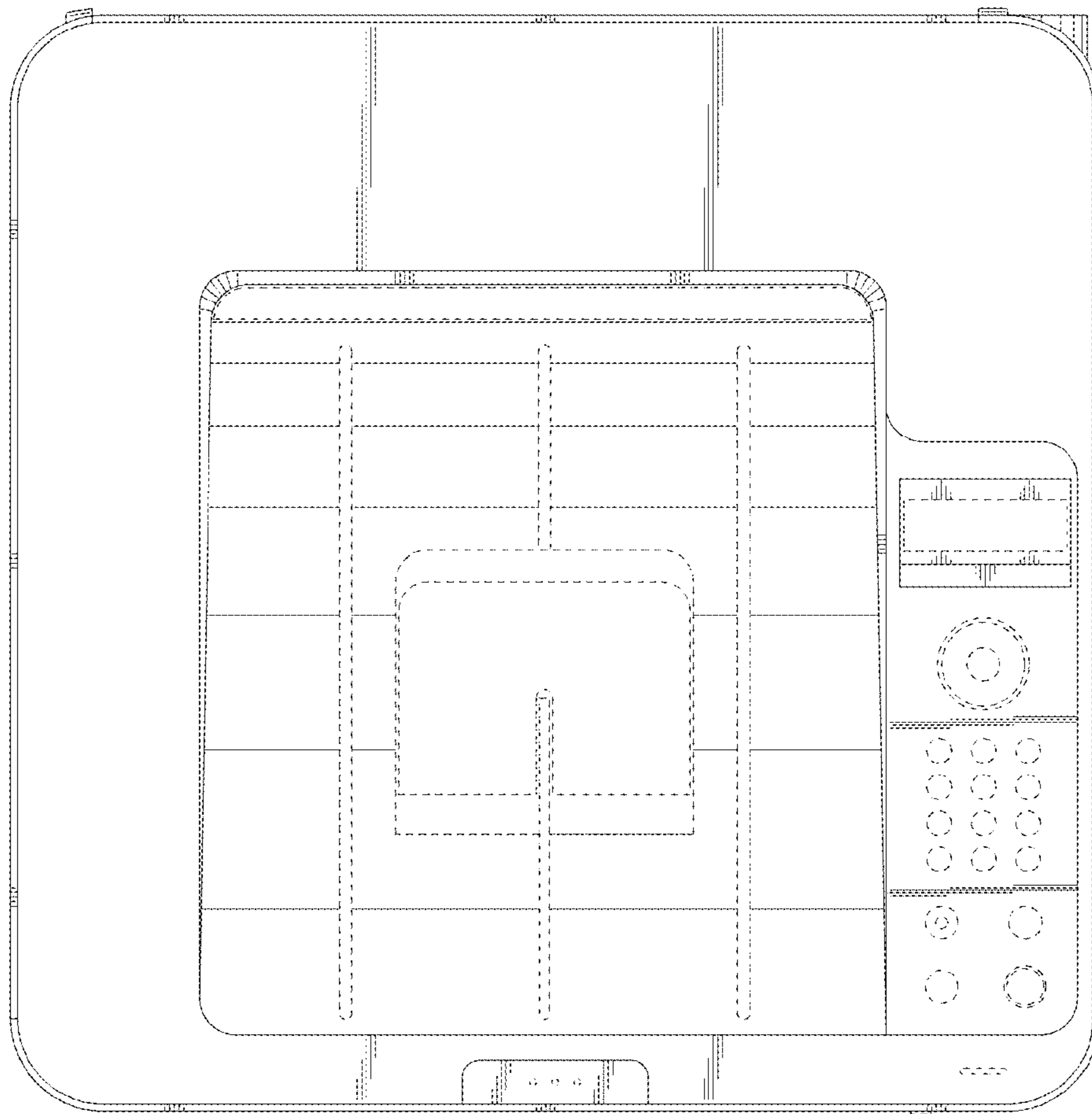


FIG. 6

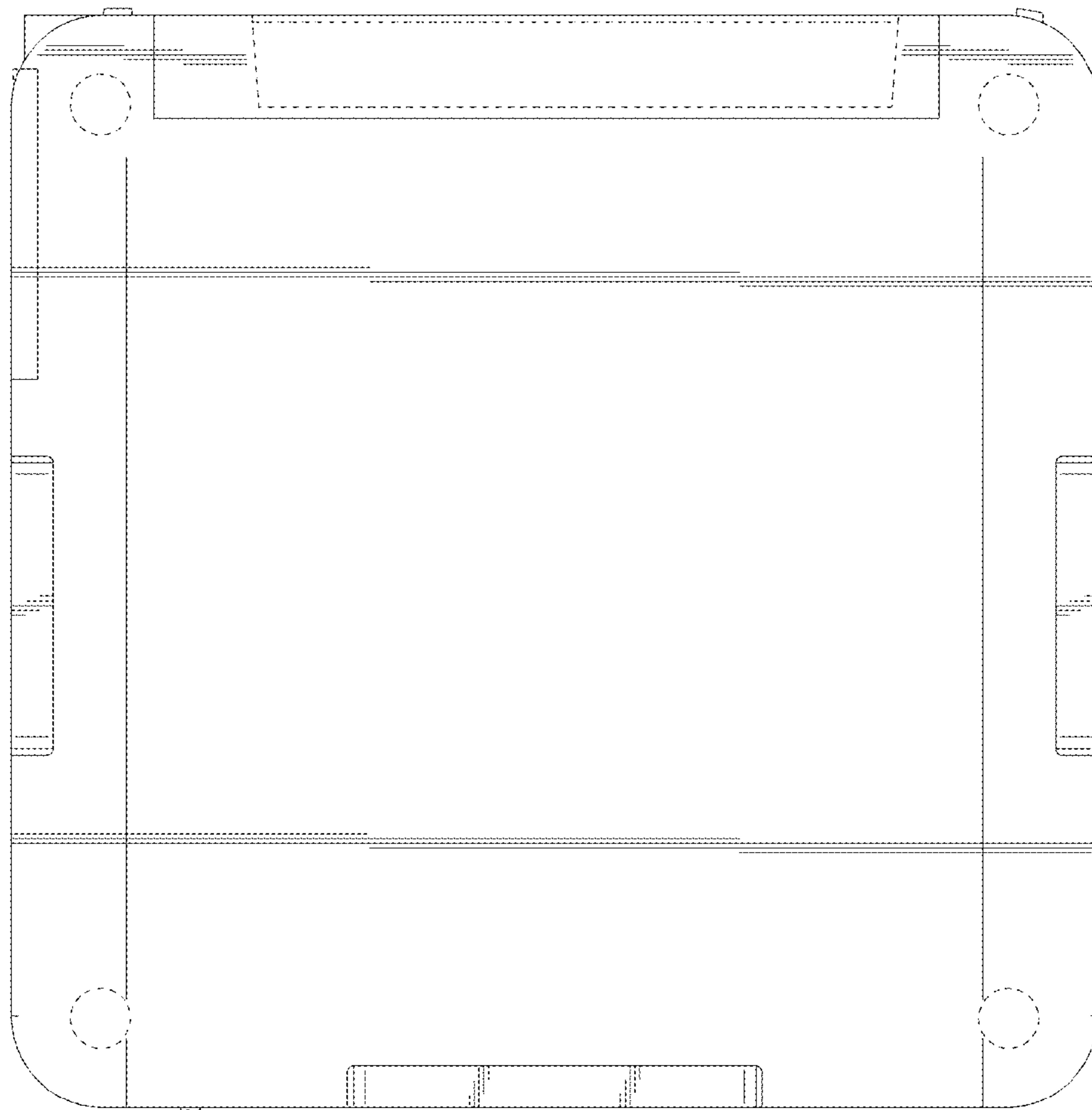


FIG. 7