



US00D725183S

(12) **United States Design Patent**  
**Sato et al.**

(10) **Patent No.:** **US D725,183 S**  
(45) **Date of Patent:** **\*\* Mar. 24, 2015**

(54) **PRINTER**

(71) Applicants: **Yukihiko Sato**, Nagoya (JP); **Jiro Suzuki**, Kariya (JP)

(72) Inventors: **Yukihiko Sato**, Nagoya (JP); **Jiro Suzuki**, Kariya (JP)

(73) Assignee: **Brother Industries, Ltd.**, Nagoya (JP)

(\*\*) Term: **14 Years**

(21) Appl. No.: **29/464,245**

(22) Filed: **Aug. 14, 2013**

(30) **Foreign Application Priority Data**

Feb. 15, 2013 (JP) ..... 2013-3002

(51) **LOC (10) Cl.** ..... **14-02**

(52) **U.S. Cl.**  
USPC ..... **D18/50**

(58) **Field of Classification Search**  
CPC ..... B41J 3/36; B41J 9/26; B41J 15/00;  
B41J 29/02; B41J 29/13; B41J 35/36; B65H  
35/06; G03G 21/00; G03G 21/16; G03G  
15/00; G06F 3/12; G06K 15/14  
USPC ..... D18/36-37, 50, 54, 54.1, 55;  
D14/420-425, 462-470, 217, 434;  
400/613, 613.1-613.4, 690.1-690.4,  
400/691-694; D6/515, 518; D8/353;  
D9/432, 456-457, 715, 721-722;  
D13/108, 139.3

See application file for complete search history.

(56) **References Cited**

**U.S. PATENT DOCUMENTS**

D260,487 S \* 9/1981 Grubman et al. .... D9/432  
D293,212 S \* 12/1987 Zuliani ..... D9/418

4,923,090 A \* 5/1990 Rockola et al. .... 221/312 R  
D322,274 S \* 12/1991 Tokuda et al. .... D18/54  
D329,465 S \* 9/1992 Kastanek ..... D20/8  
5,325,960 A \* 7/1994 Sims ..... 206/765  
D360,131 S \* 7/1995 Tudor ..... D9/432  
D365,482 S \* 12/1995 Larimore ..... D6/518  
6,109,475 A \* 8/2000 Graham ..... 221/156  
6,427,371 B2 \* 8/2002 Olson et al. .... 40/789  
6,431,365 B1 \* 8/2002 Money ..... 206/776  
D466,733 S \* 12/2002 Ong ..... D6/518  
D520,375 S \* 5/2006 Summerford et al. .... D9/432  
D540,187 S \* 4/2007 Duffy ..... D9/734  
D550,076 S \* 9/2007 Ni ..... D8/353  
D551,968 S \* 10/2007 Kleinsmith ..... D9/432  
D565,648 S \* 4/2008 Egami ..... D18/50  
D578,494 S \* 10/2008 Hattori ..... D18/55  
D607,925 S \* 1/2010 Morrison et al. .... D18/50  
D672,387 S \* 12/2012 Kim et al. .... D18/50  
D686,842 S \* 7/2013 Murphy ..... D6/515  
D697,964 S \* 1/2014 Fukasawa et al. .... D18/55  
D700,527 S \* 3/2014 Garrett ..... D14/217  
2008/0029419 A1 \* 2/2008 Appelbaum ..... 206/463  
2008/0314784 A1 \* 12/2008 Schroeder ..... 206/523

\* cited by examiner

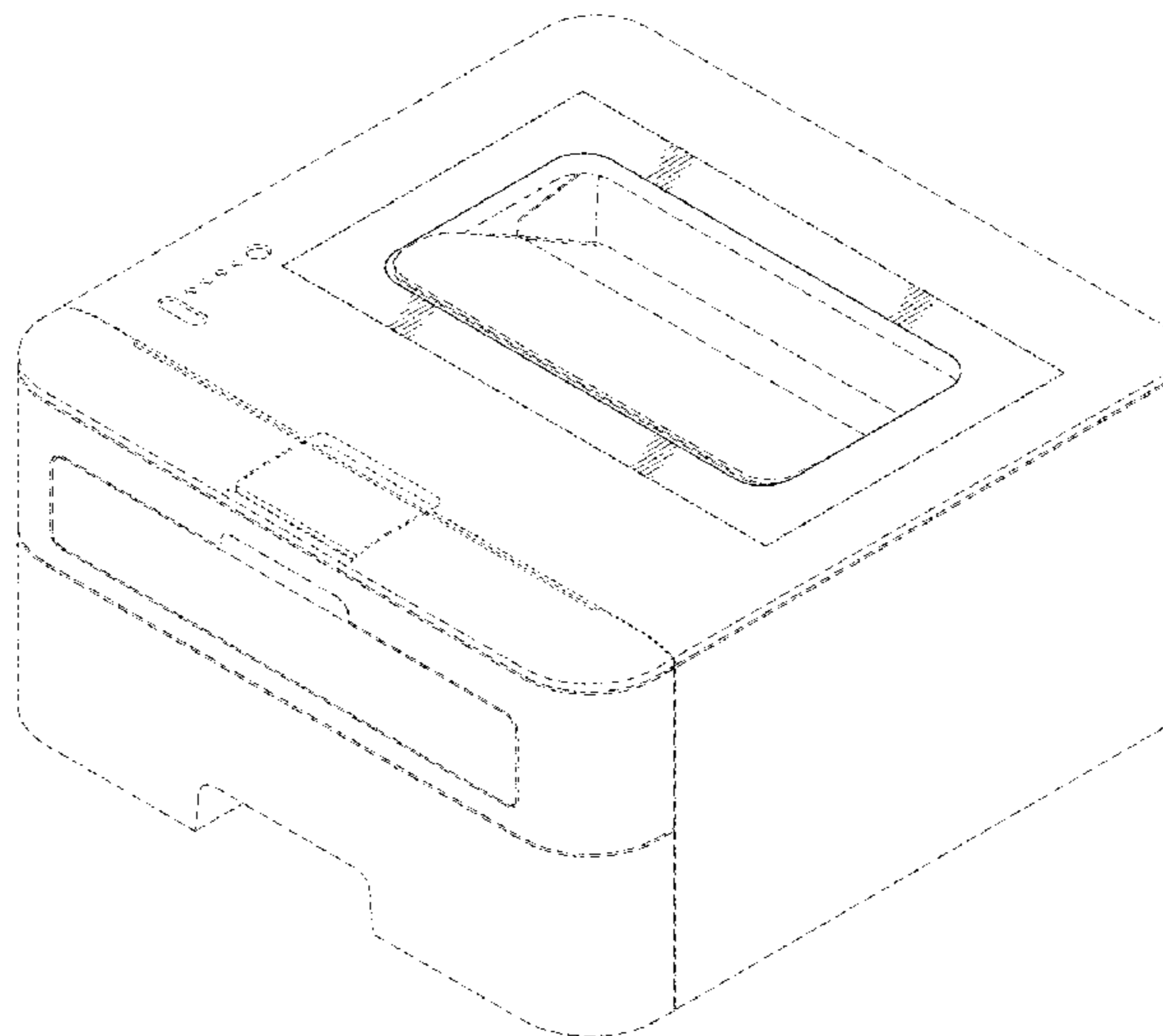
*Primary Examiner* — Cathy A MacCormac  
(74) *Attorney, Agent, or Firm* — Oliff PLC

(57) **CLAIM**  
The ornamental design for a printer, as shown and described.

**DESCRIPTION**

FIG. 1 is a perspective view of a printer; and, FIG. 2 is a top view thereof. The broken lines depict environmental subject matter only and form no part of the claimed design. The dot-chain lines depict a boundary between claimed and unclaimed subject matter, and form no part of the claimed design. The front, right-side, left-side, rear and bottom views include environmental subject matter only, and form no part of the claimed design. Thus, these views are not illustrated.

**1 Claim, 2 Drawing Sheets**



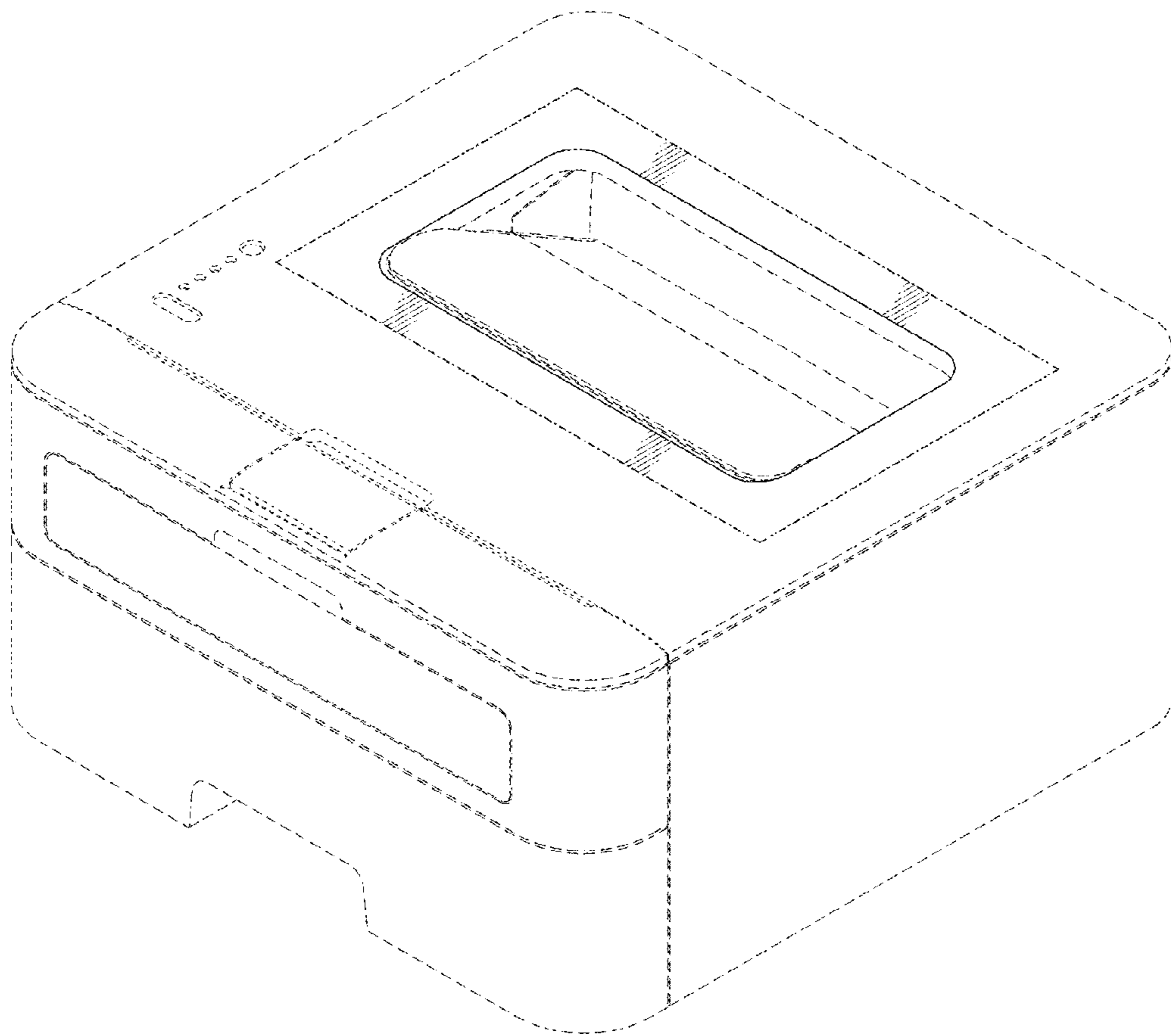


FIG. 1

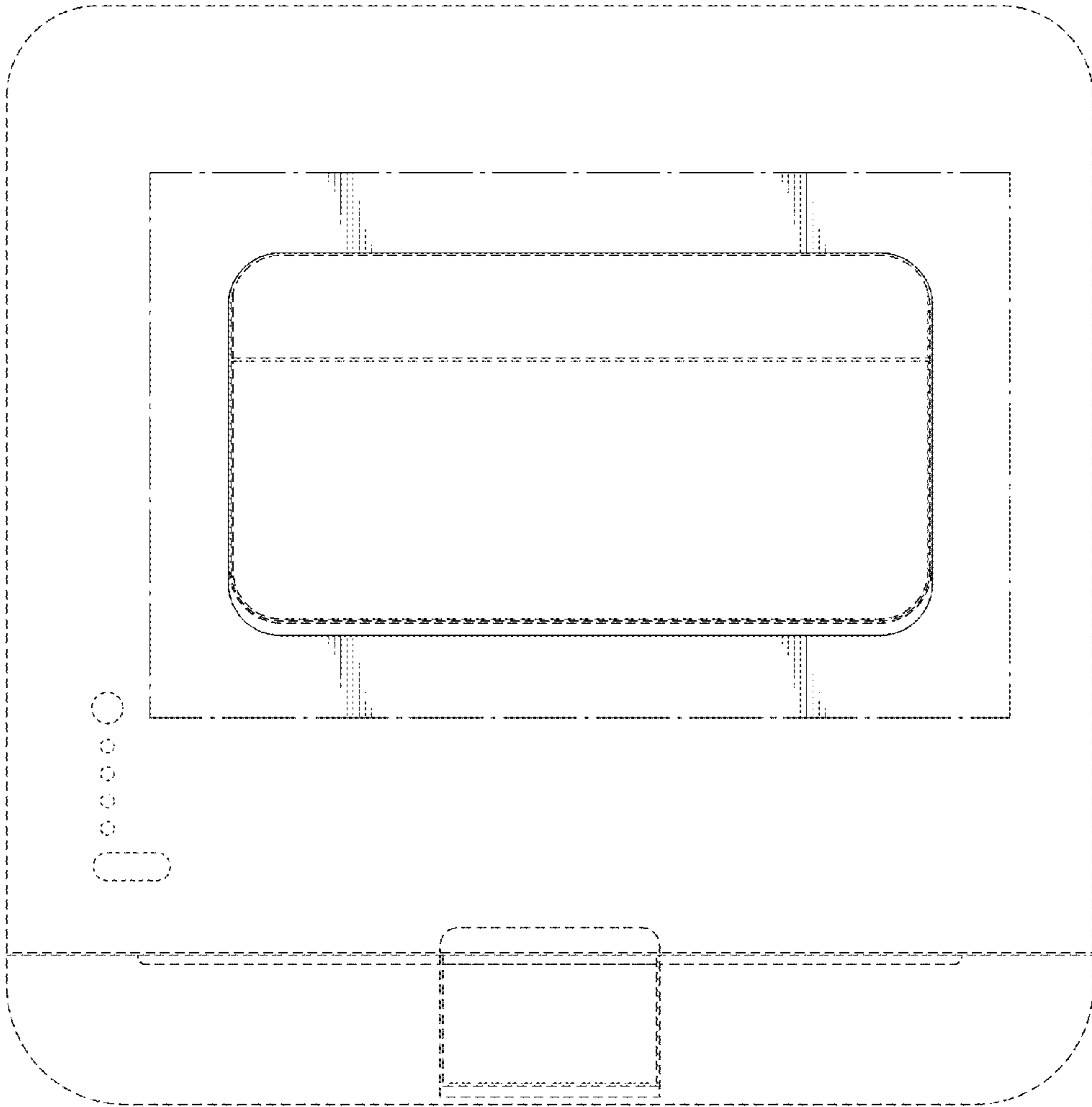


FIG. 2