



US00D725182S

(12) **United States Design Patent**
Haller et al.

(10) **Patent No.:** **US D725,182 S**
(45) **Date of Patent:** **** Mar. 24, 2015**

(54) **ELECTRONIC DEVICE HOUSING FOR A TOUCH SCREEN REGISTER**

(71) Applicant: **Elo Touch Solutions, Inc.**, Milpitas, CA (US)

(72) Inventors: **Jeffrey Haller**, Redwood City, CA (US);
Kenneth North, San Carlos, CA (US)

(73) Assignee: **Elo Touch Solutions, Inc.**, Milpitas, CA (US)

(**) Term: **14 Years**

(21) Appl. No.: **29/485,990**

(22) Filed: **Mar. 25, 2014**

(51) **LOC (10) Cl.** **18-01**

(52) **U.S. Cl.**

USPC **D18/4.4**; D18/11

(58) **Field of Classification Search**

USPC D18/4.1, 4.3, 4.4, 4.5, 4.6, 11, 12, 12.3,
D18/59, 99; D14/336, 371, 374, 375, 376,
D14/377, 388, 389; 235/1 D, 2, 7 R; 705/15,
705/16, 17

See application file for complete search history.

(56) **References Cited**

U.S. PATENT DOCUMENTS

6,034,866	A *	3/2000	Nobuchi et al.	361/679.26
D528,146	S *	9/2006	Fitch	D18/4.4
D598,045	S *	8/2009	Iwata et al.	D18/4.5
D615,120	S *	5/2010	Ono	D18/4.5
D625,355	S *	10/2010	Branck et al.	D18/12.3
D647,086	S *	10/2011	Haller et al.	D14/336
D647,898	S *	11/2011	Haller et al.	D14/336
D654,501	S *	2/2012	Haller et al.	D14/375
D681,636	S *	5/2013	Haller	D14/377
D688,673	S *	8/2013	Haller	D14/451
D706,766	S *	6/2014	Lee et al.	D14/316
D714,788	S *	10/2014	Haller et al.	D14/434
2013/0262248	A1 *	10/2013	Kim et al.	705/17

OTHER PUBLICATIONS

AppleInsider, "Groupon eyes massive rollout of new 'Gnome' iPad-based POS system", http://appleinsider.com/articles/14/05/19/groupon-eyes-massive-rollout-of-new-gnome-ipad-based-pos-system?utm_source=dlvr.it&utm_medium=facebook, accessed on May 19, 2014, 10 pages.

(Continued)

Primary Examiner — Eric Goodman

Assistant Examiner — Amy Wierenga

(74) *Attorney, Agent, or Firm* — Sterne, Kessler, Goldstein & Fox P.L.L.C.

(57) **CLAIM**

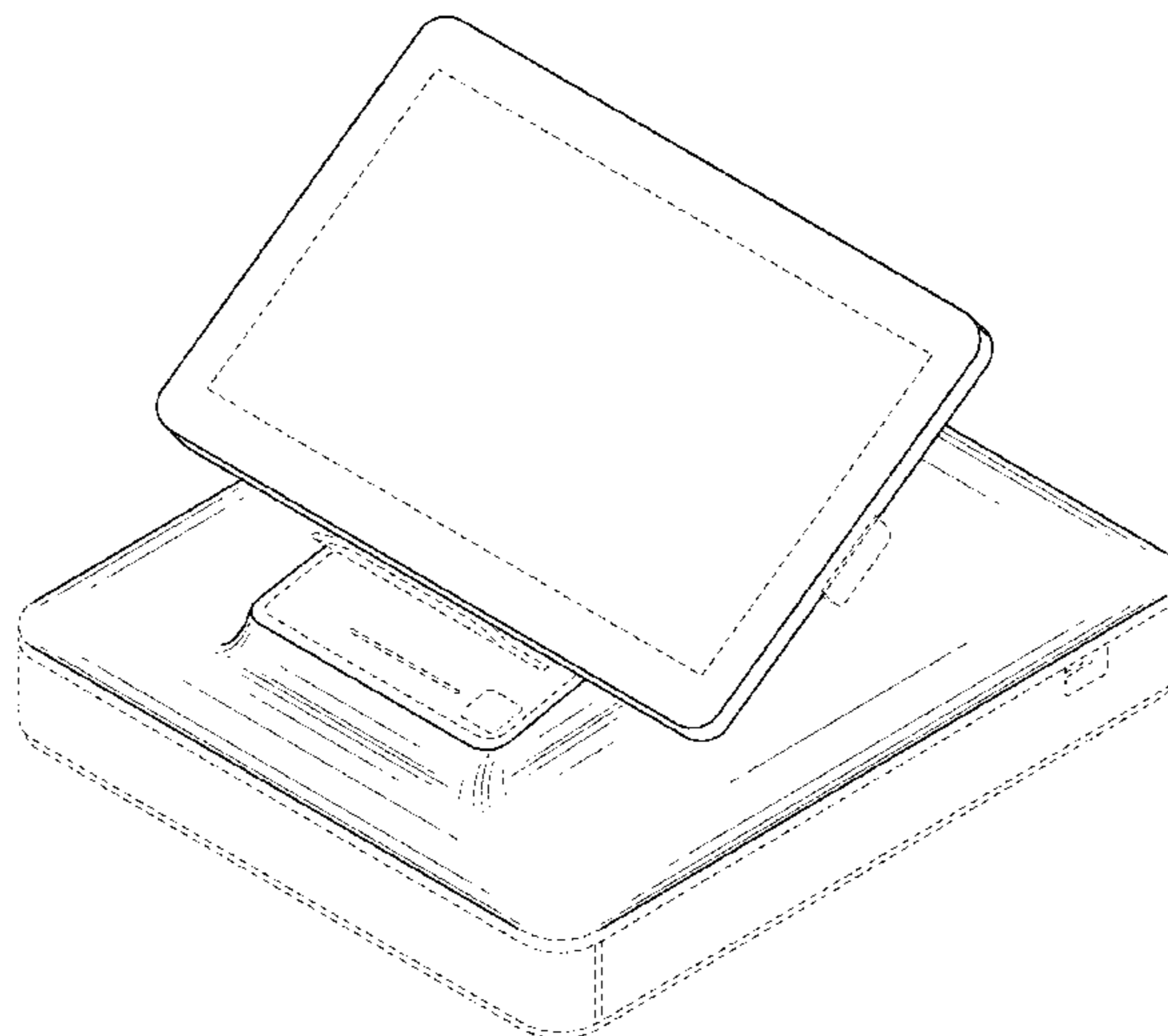
The ornamental design for an electronic device housing for a touch screen register, as shown and described.

DESCRIPTION

FIG. 1 is a top front perspective view of an electronic device housing for a touch screen register showing our new design; FIG. 2 is a front view thereof; FIG. 3 is a rear view thereof; FIG. 4 is a right side view thereof; FIG. 5 is a left side view thereof; FIG. 6 is a top view thereof; FIG. 7 is a top rear perspective view thereof; FIG. 8 is a right side view thereof, shown with the touch screen in another position of use; and, FIG. 9 is an exploded view of FIG. 1 showing the cover of the touch screen removed and an environmental electronic device such as a touch screen tablet which may be used with the touch screen register of the present invention.

The broken lines in the Figures show unclaimed portions of the electronic device housing for a touch screen register and an exemplary electronic device, and form no part of the claimed design.

1 Claim, 9 Drawing Sheets



(56)

References Cited

OTHER PUBLICATIONS

Casio V-R100 Android Terminal [Retrieved from the Internet: <URL: <http://www.cev.ie>>. (dated Apr. 16, 2013) 6 pages.

CashRegisterStore.com :: Cash Registers :: Casio :: Casio V-R 100 :: Casio V-R100 Touch Screen Tablet [online] [retrieved Jul. 1, 2013]. Retrieved from the Internet: <URL: www.cashregisterstore.com/xcart/product.php?productid=4675&cat=2799&page=1>. (undated) 3 pages.

Casio VR 100 Till EPOS Systems, Android App Suppliers, Software Company [online] [retrieved Jul. 1, 2013]. Retrieved from the Internet: <URL: www.casiovr100.co.uk>. (dated 2012) 4 pages.

POS Software and Hardware, Retail and Restaurant POS Systems, Security cameras, DVR, Recorders, Portable Inventory | International Point of Sale [online] [retrieved Jul. 1, 2013]. Retrieved from

the Internet: <URL: www.internationalpointofsale.com/completepos.html>. (dated 2009) 4 pages.

Wholesale All in one touch POS machine touch screen terminal cash register wireless meals ordering set, \$397.1~418.0/Set | DHgate [online] [retrieved Jul. 1, 2013]. Retrieved from the Internet: <URL: www.dhgate.com/product/all-in-one-touch-pos-machine-touch-screen/135165997.html>. (undated) 1 page.

Aliexpress.com:Buy 15" all in one touch screen cash register from Reliable touch screen cash register supplies on Professional touch screen POS system . . . [online] [retrieved Jul. 1, 2013]. Retrieved from the Internet: <URL: www.aliexpress.com/store/product/15-all-in-one-touch-screen-cash-register/803507_522289154.html>. (dated 1999-2013) 12 pages.

Posiflex XP3315 Series Electronic Cash Register (ECR) [online] [retrieved Jul. 1, 2013]. Retrieved from the Internet: <URL: www.posiflexusa.com/xp3315.php>. (dated 2013) 1 page.

* cited by examiner

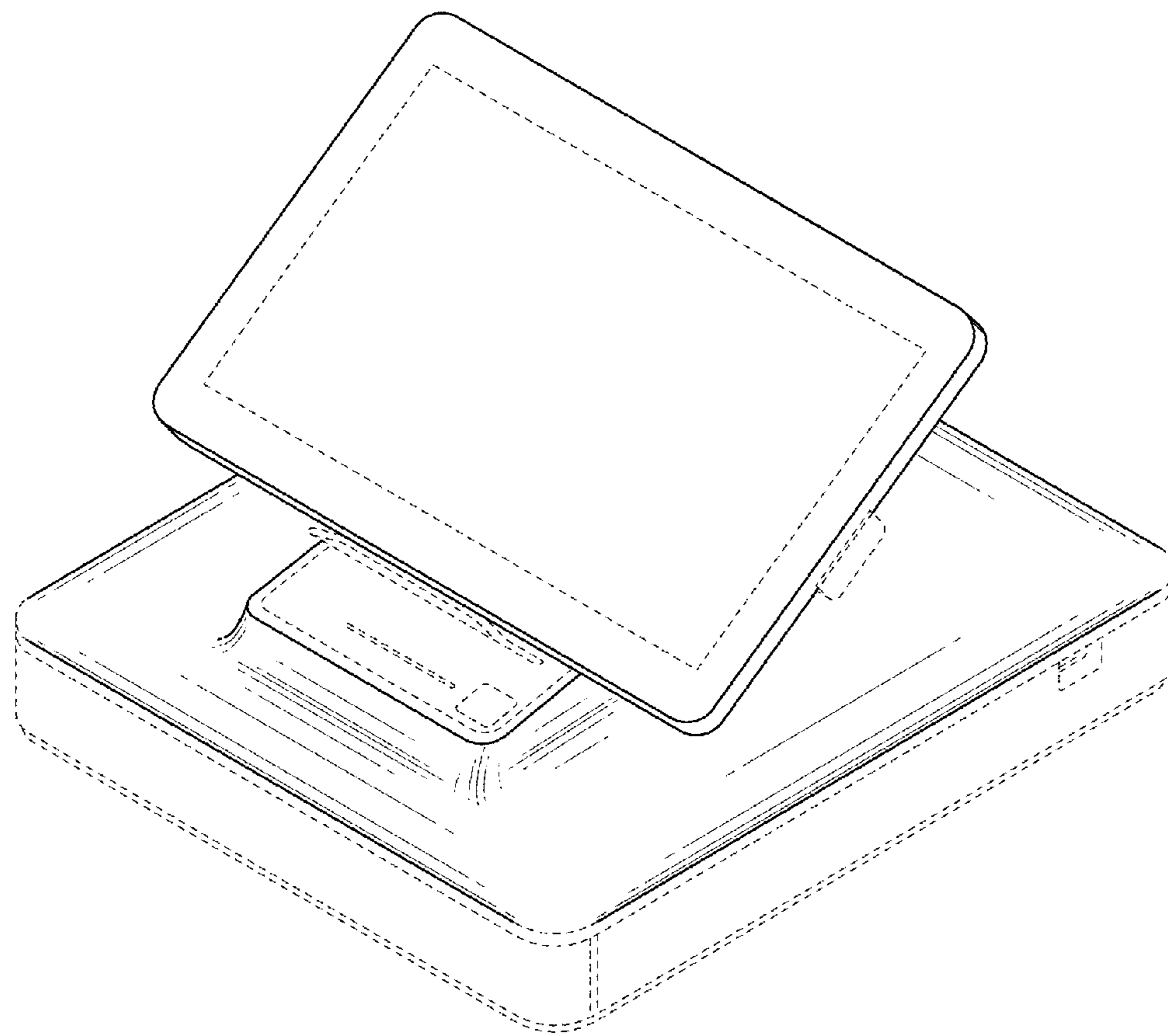


FIG. 1

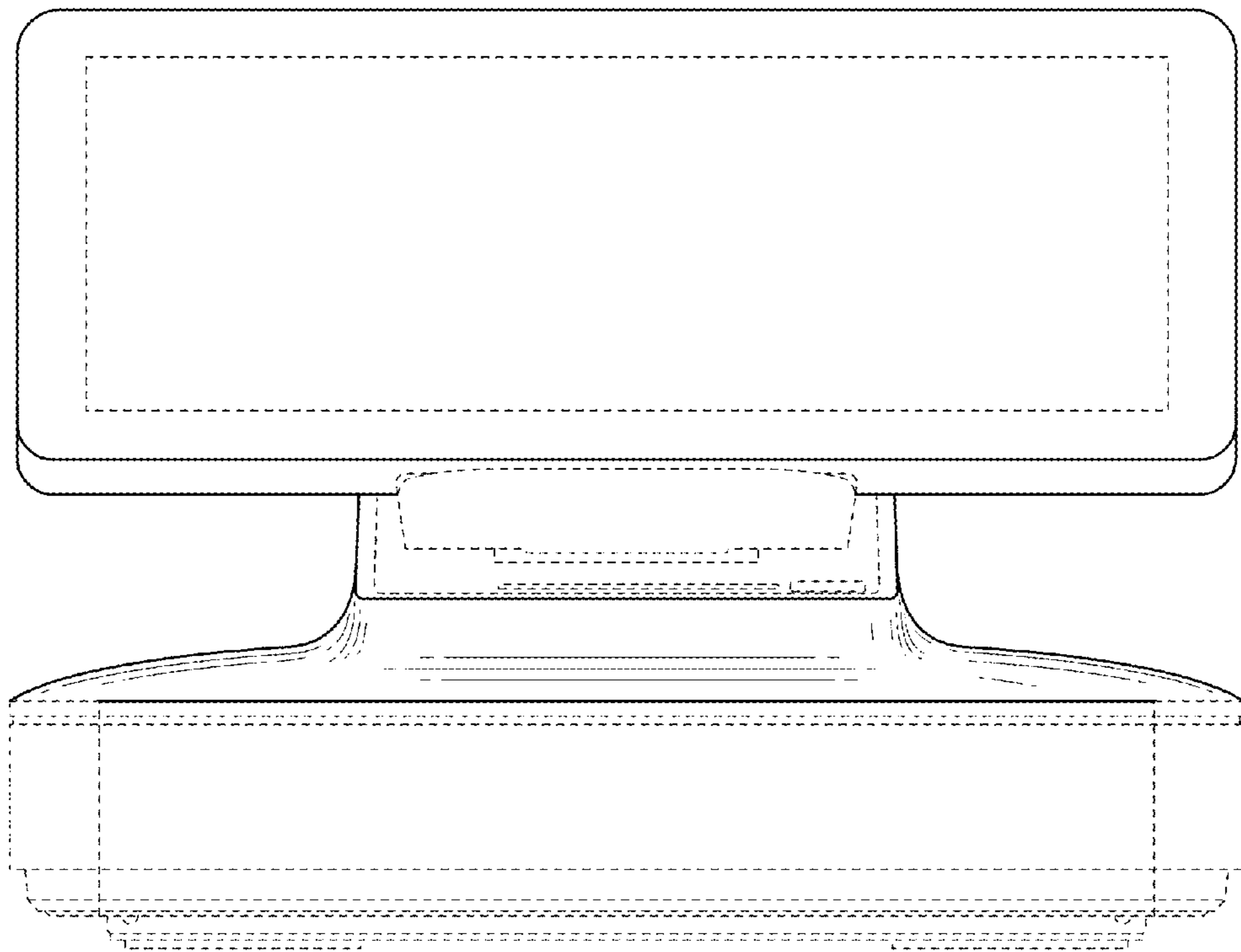


FIG. 2

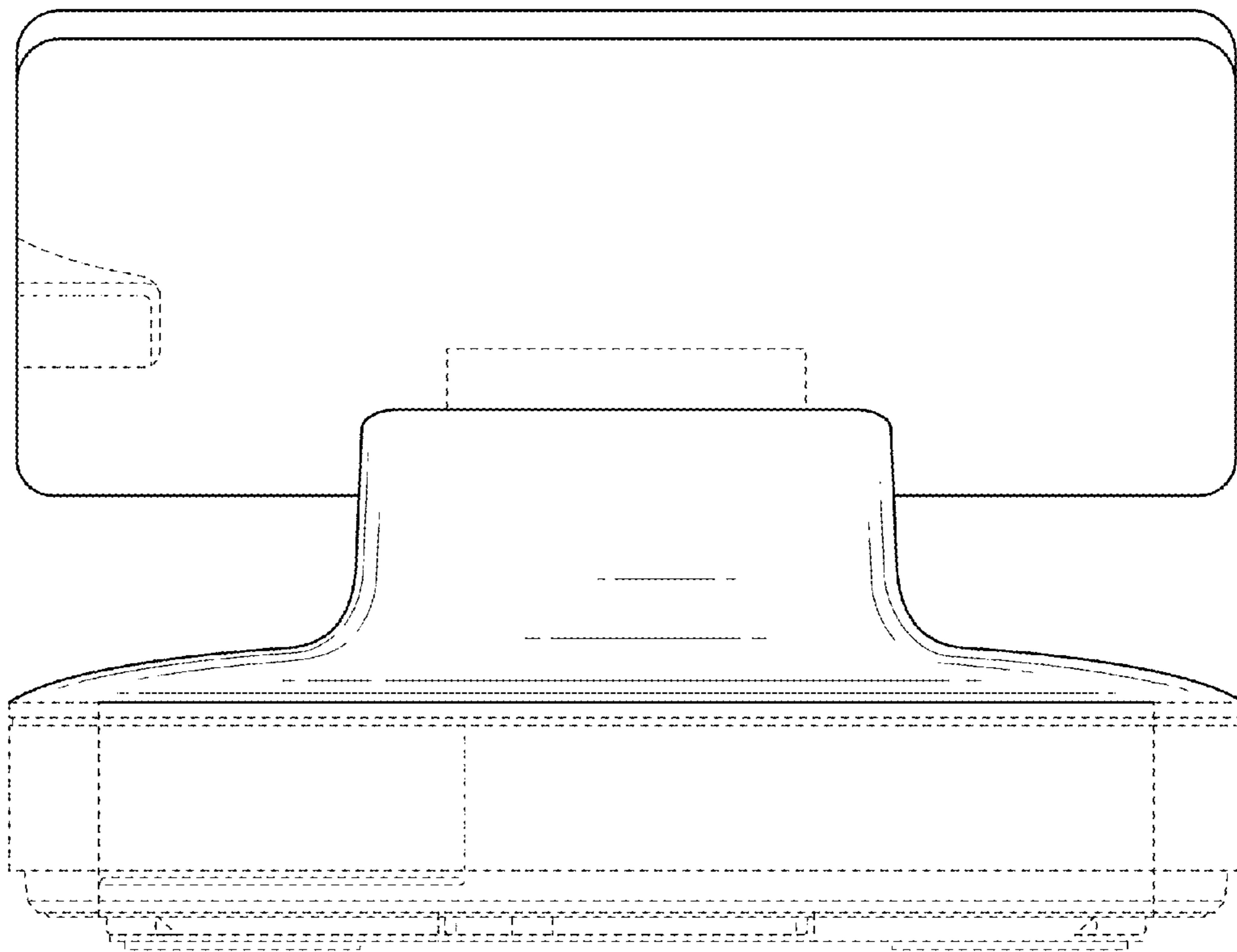


FIG. 3

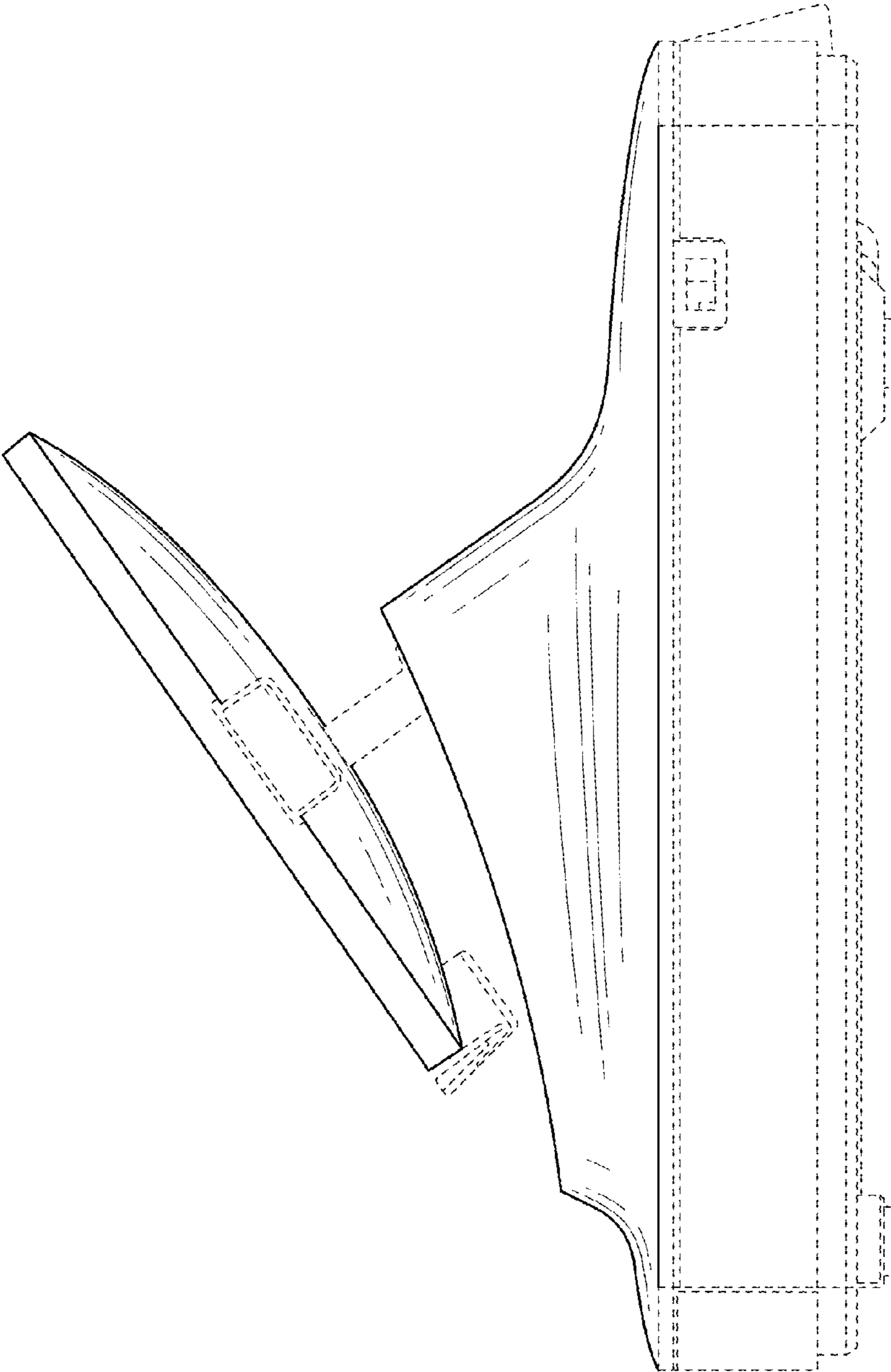


FIG. 4

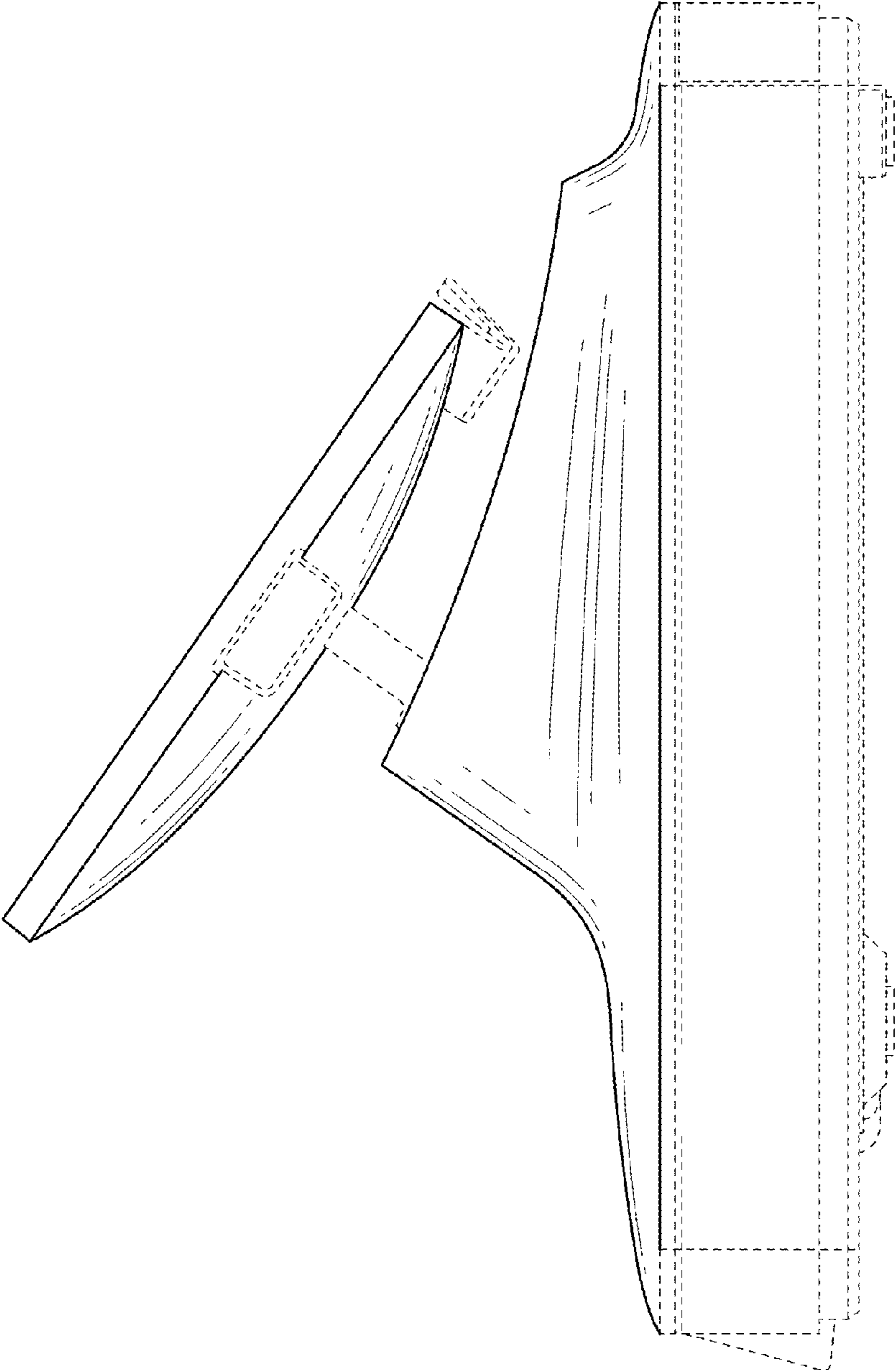


FIG. 5

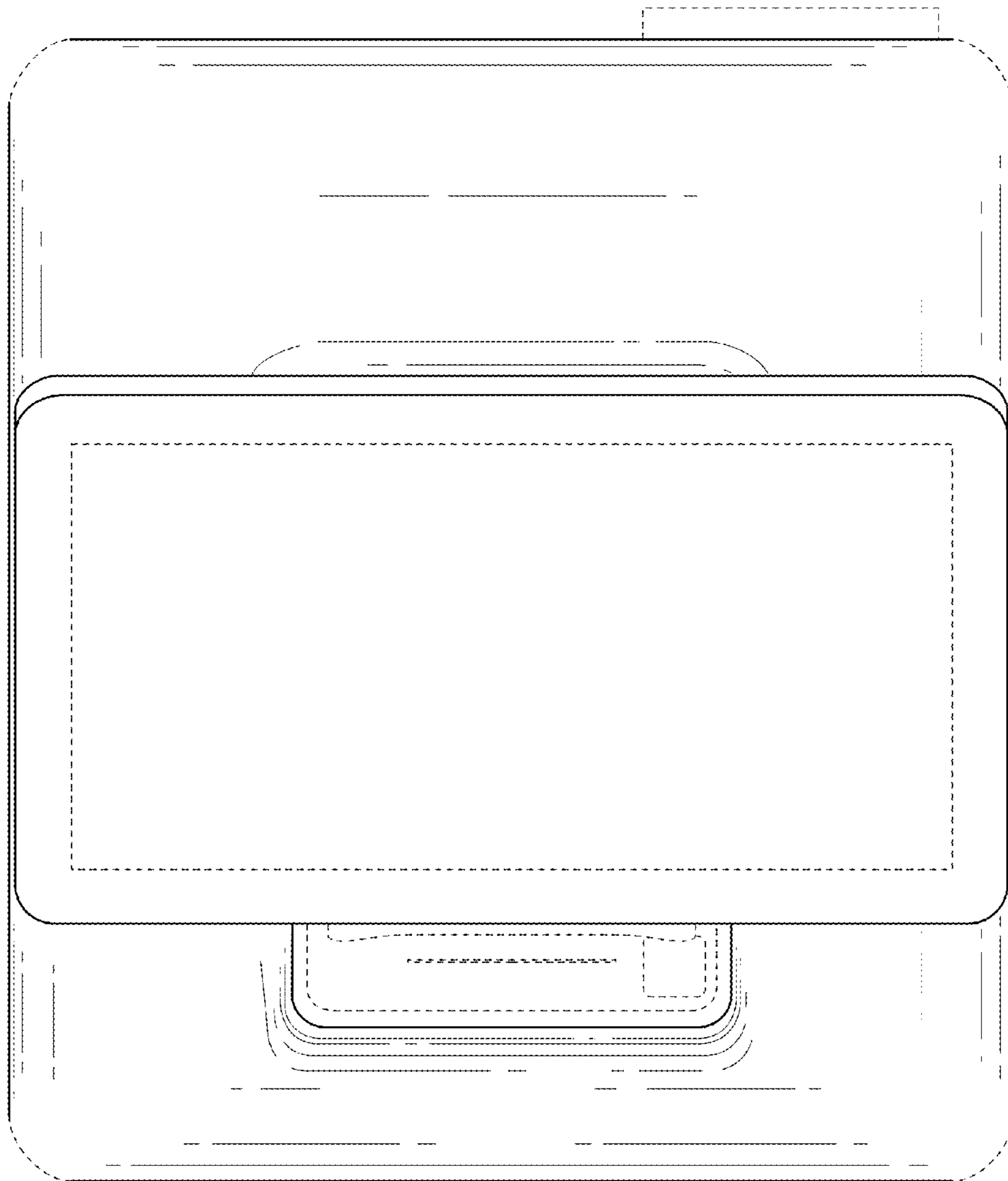


FIG. 6

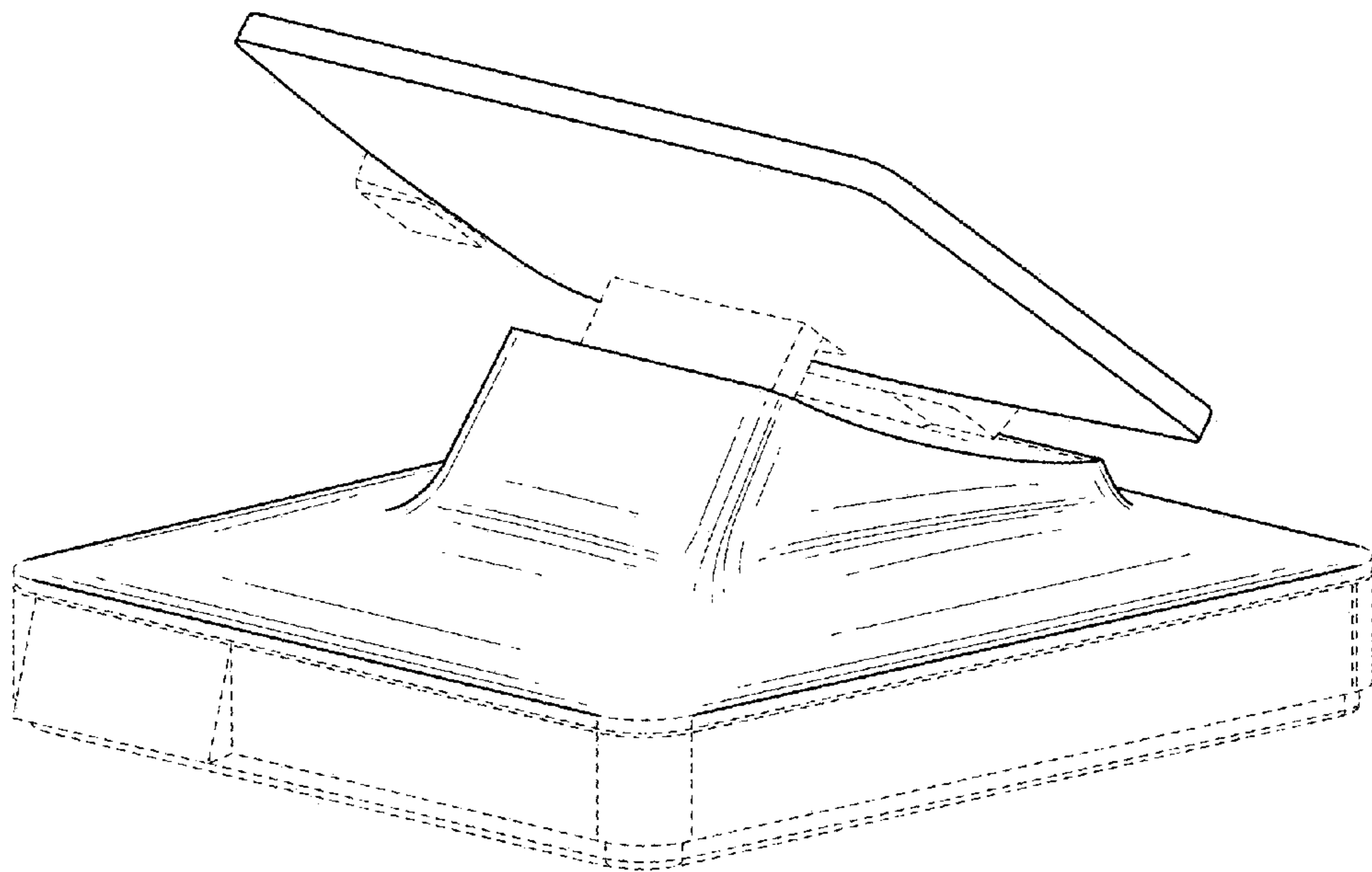


FIG. 7

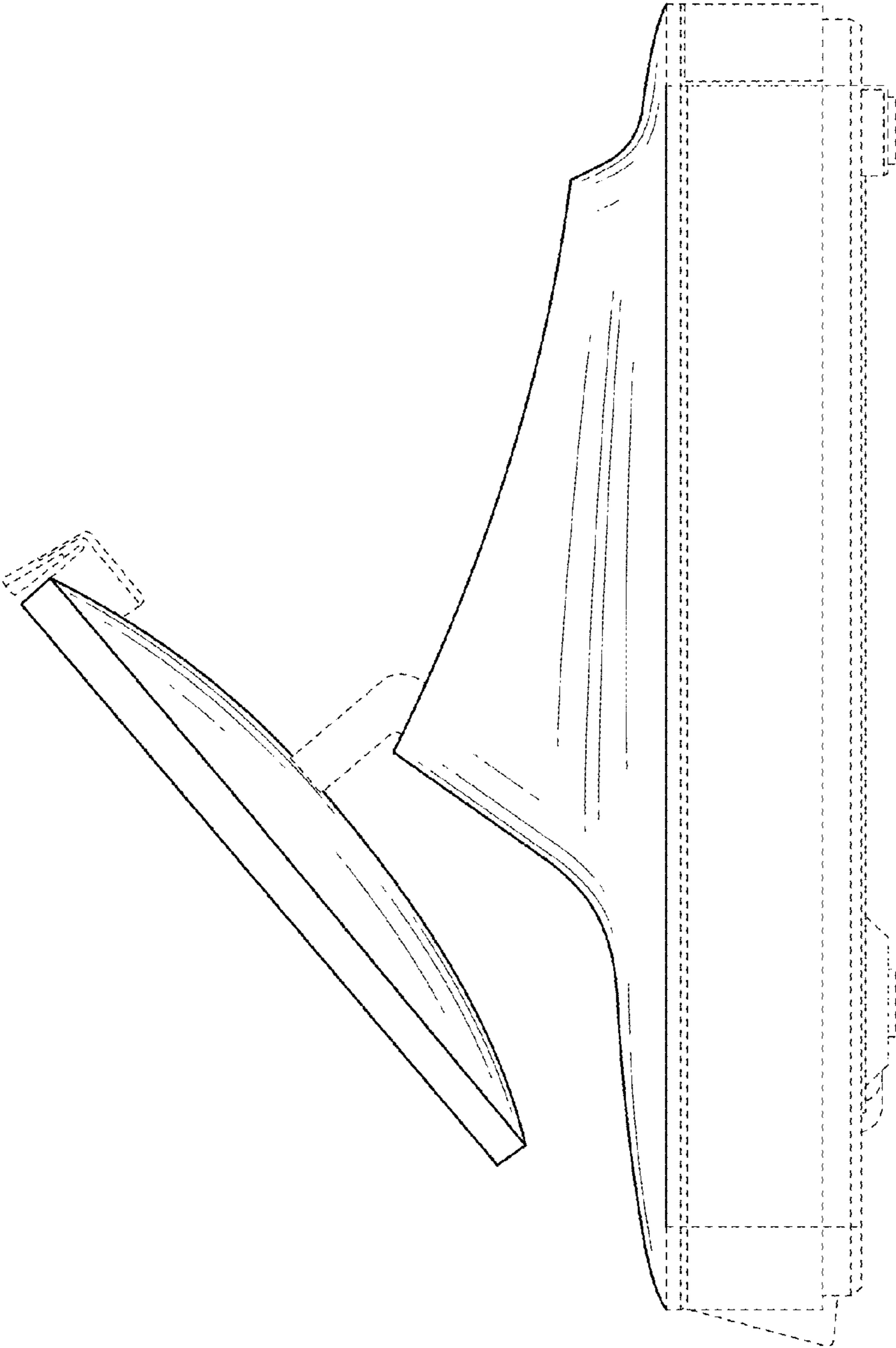


FIG. 8

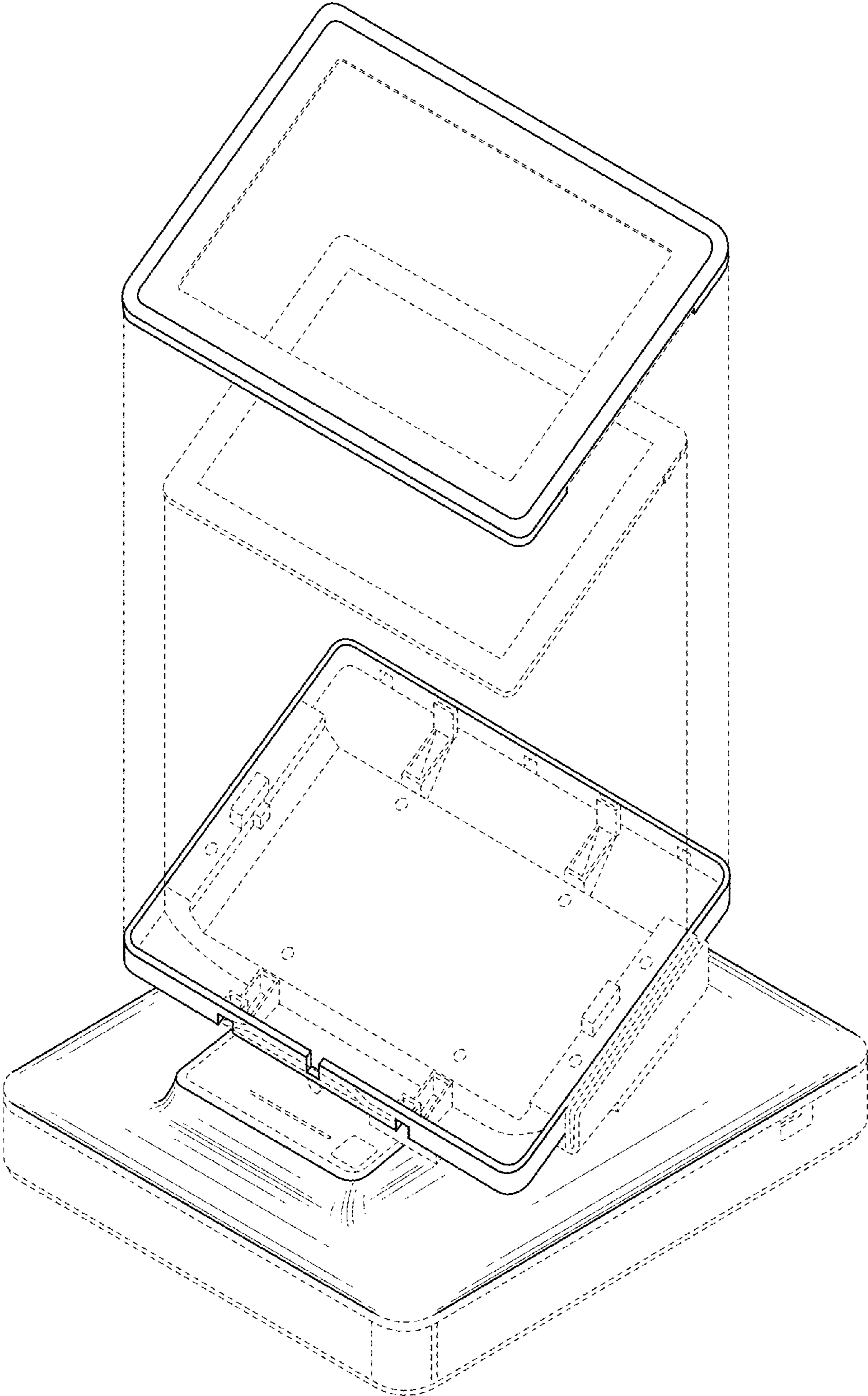


FIG. 9