



US00D725180S

(12) **United States Design Patent**
Azuma

(10) **Patent No.:** **US D725,180 S**
(45) **Date of Patent:** **** Mar. 24, 2015**

(54) **PERSONAL DIGITAL ASSISTANT WITH A PAYMENT DEVICE**

(71) Applicant: **Yoshihiro Azuma**, Tokyo (JP)

(72) Inventor: **Yoshihiro Azuma**, Tokyo (JP)

(**) Term: **14 Years**

(21) Appl. No.: **29/470,756**

(22) Filed: **Oct. 24, 2013**

(30) **Foreign Application Priority Data**

Apr. 26, 2013 (JP) 2013-009536

(51) **LOC (10) Cl.** **18-01**

(52) **U.S. Cl.**
USPC **D18/4.4**; D14/341; D14/385

(58) **Field of Classification Search**
USPC D18/3.1-4.6, 6-8, 11, 12, 12.1-12.3;
D14/371, 373-376, 382, 385-386, 387,
D14/394, 399; D21/324, 329, 332, 333;
D99/28, 34-36, 43; 235/441, 451, 492,
235/439, 380, 375; 361/600, 679.01,
361/679.02, 679.31

See application file for complete search history.

(56) **References Cited**

U.S. PATENT DOCUMENTS

D409,650 S *	5/1999	Hanna et al.	D18/4.6
D428,046 S *	7/2000	Berger	D18/4.6
D472,898 S *	4/2003	Adams	D14/387
D493,816 S *	8/2004	Butler	D18/4.6
D624,114 S *	9/2010	Ausems et al.	D18/4.6
D624,115 S *	9/2010	Ausems et al.	D18/4.6

D678,935 S *	3/2013	Wesolek	D18/4.4
D692,885 S *	11/2013	Cruz	D14/385
D707,676 S *	6/2014	Azuma	D14/385
D707,677 S *	6/2014	Azuma	D14/385
D707,678 S *	6/2014	Azuma	D14/385
2014/0166747 A1 *	6/2014	Wormsley et al.	235/380

* cited by examiner

Primary Examiner — Eric Goodman

Assistant Examiner — Amy Wierenga

(74) *Attorney, Agent, or Firm* — Muncy, Geissler, Olds & Lowe, P.C.

(57) **CLAIM**

The ornamental design for a personal digital assistant with a payment device, as shown and described.

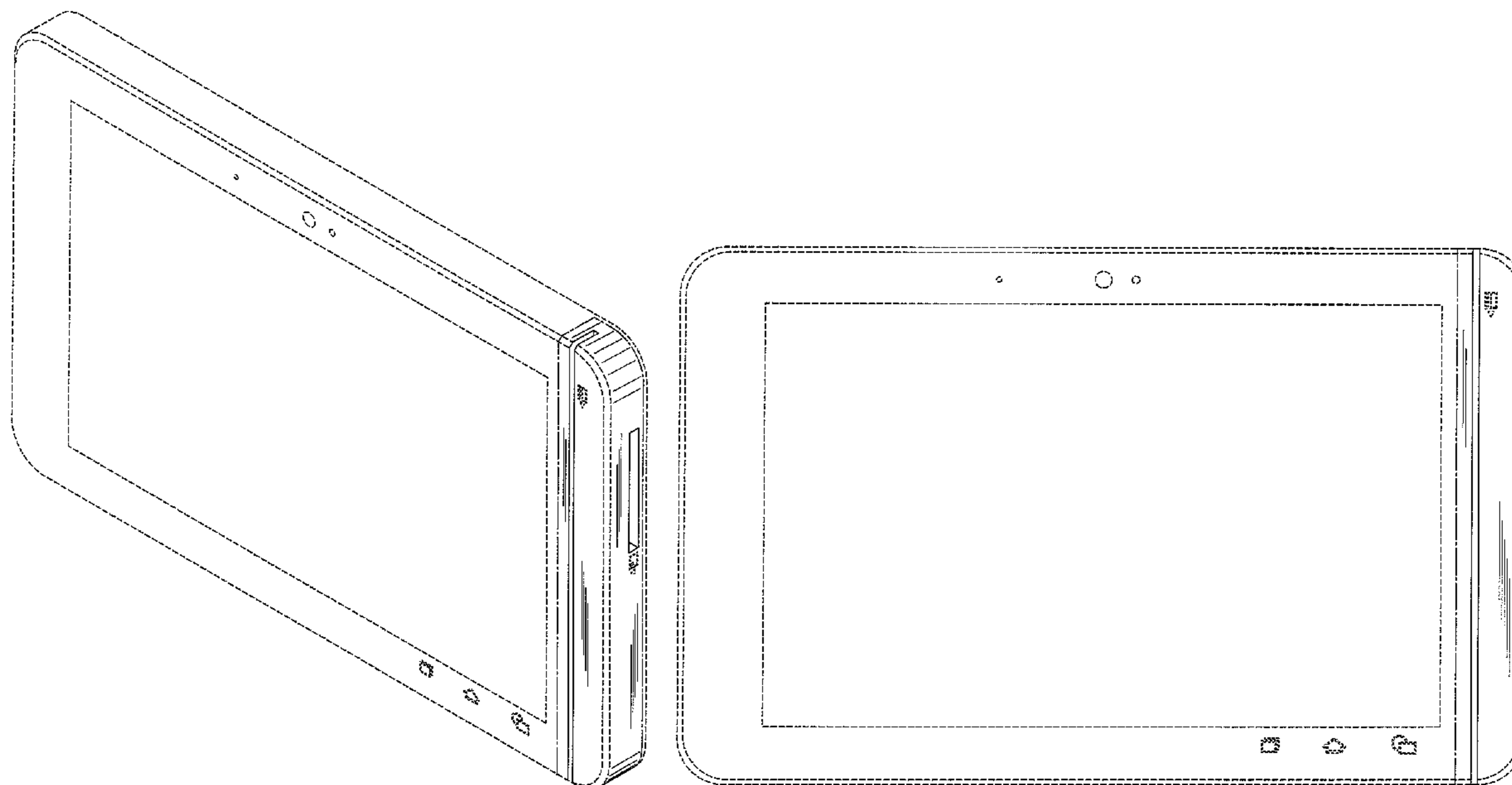
DESCRIPTION

FIG. 1 is a perspective view of a personal digital assistant with a payment device showing my new design; FIG. 2 is a front elevational view thereof; FIG. 3 is a right side view thereof; FIG. 4 is a left side view thereof; FIG. 5 is a top plan view thereof; FIG. 6 is a bottom plan view thereof; FIG. 7 is a rear elevational view thereof; FIG. 8 is a perspective view thereof, shown in use with a magnetic card; and, FIG. 9 is a perspective view thereof, shown in use with an IC card.

The broken line showing is for the purpose of illustrating environment structure and forms no part of the claimed design.

The dash-dot-dash-dot type broken lines define the boundaries of the claimed design.

1 Claim, 9 Drawing Sheets



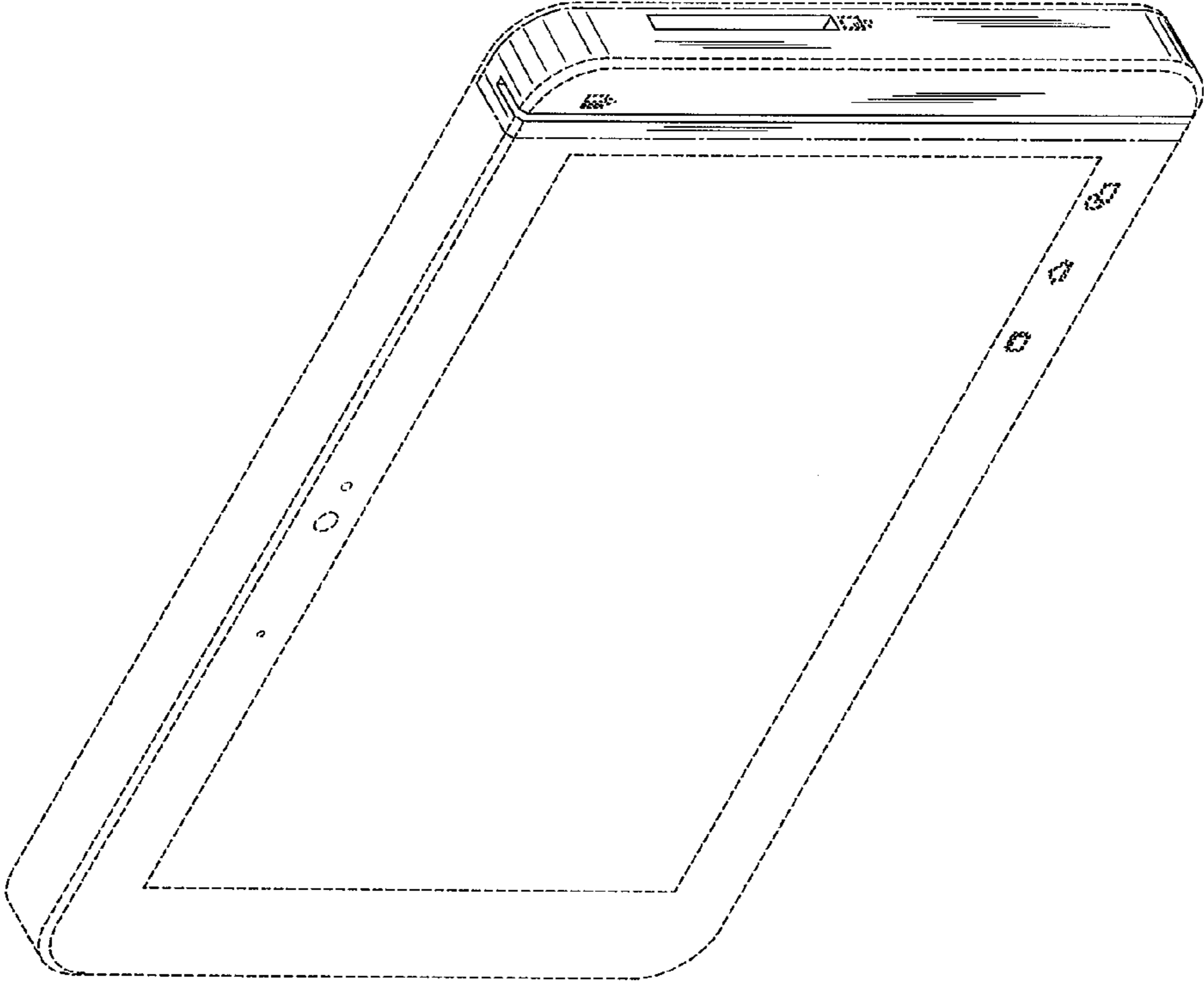


FIG.1

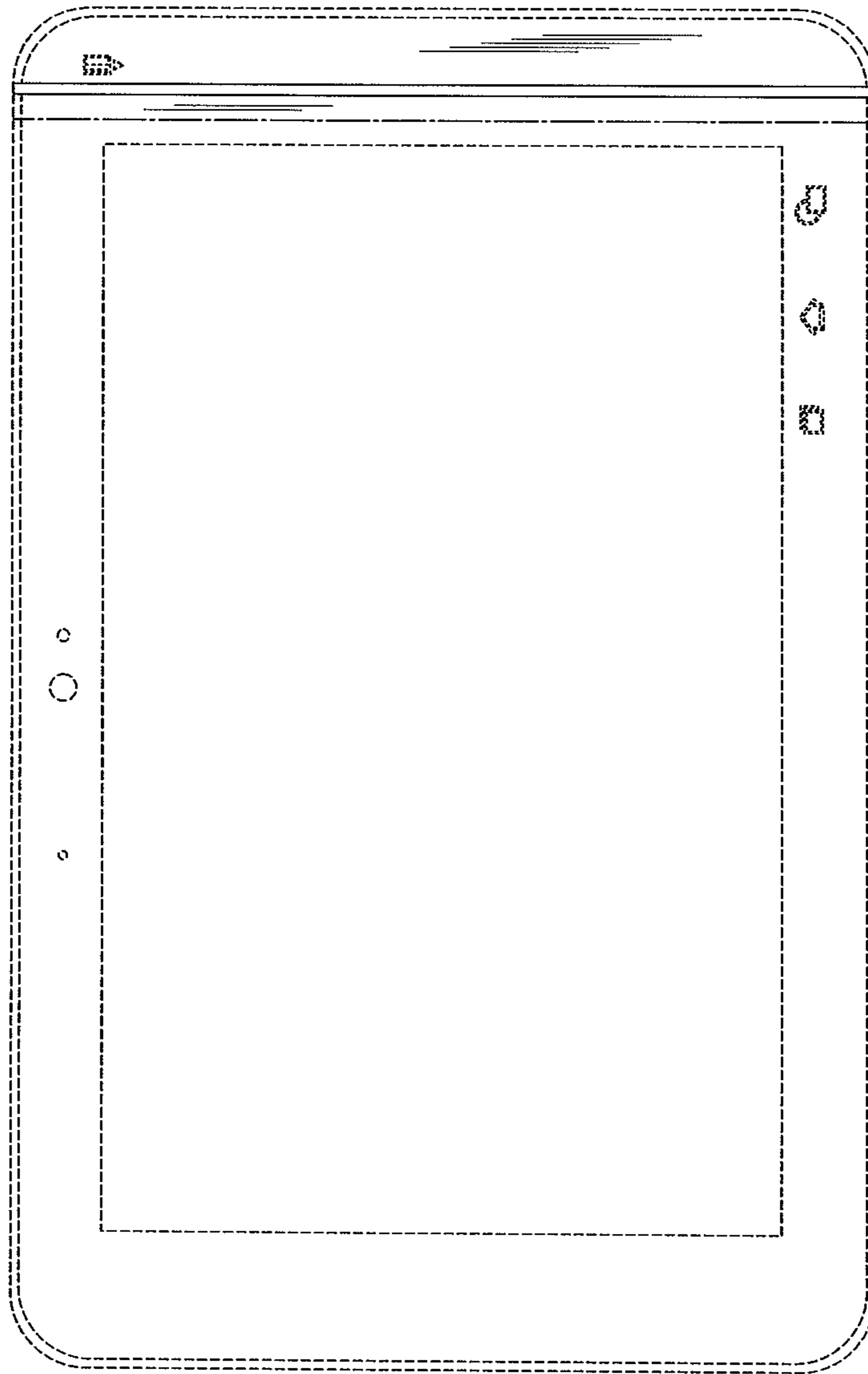


FIG.2

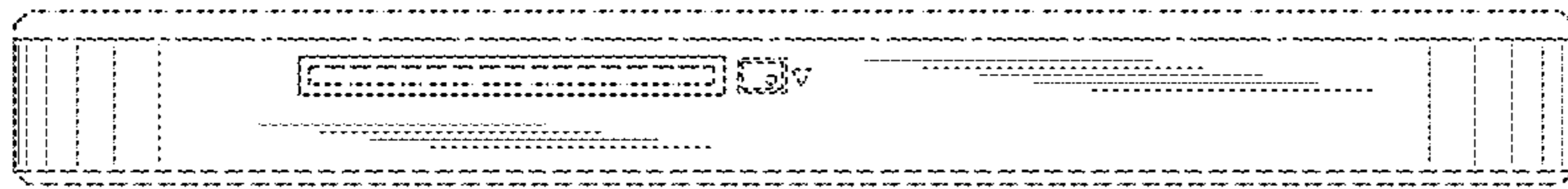


FIG. 3



FIG.4

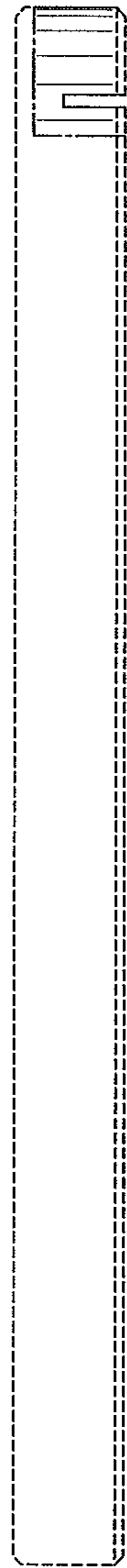


FIG.5



FIG.6

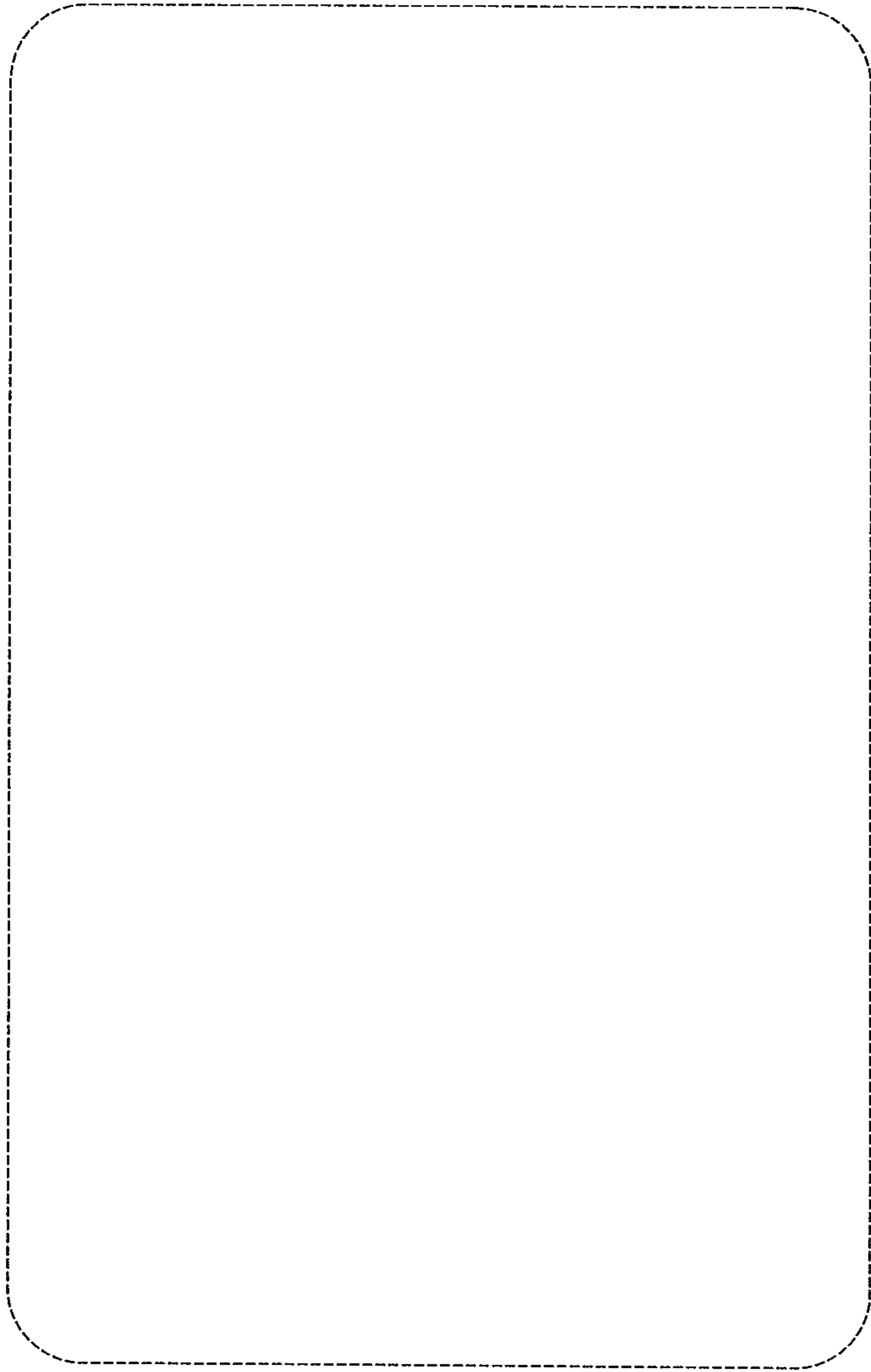


FIG.7

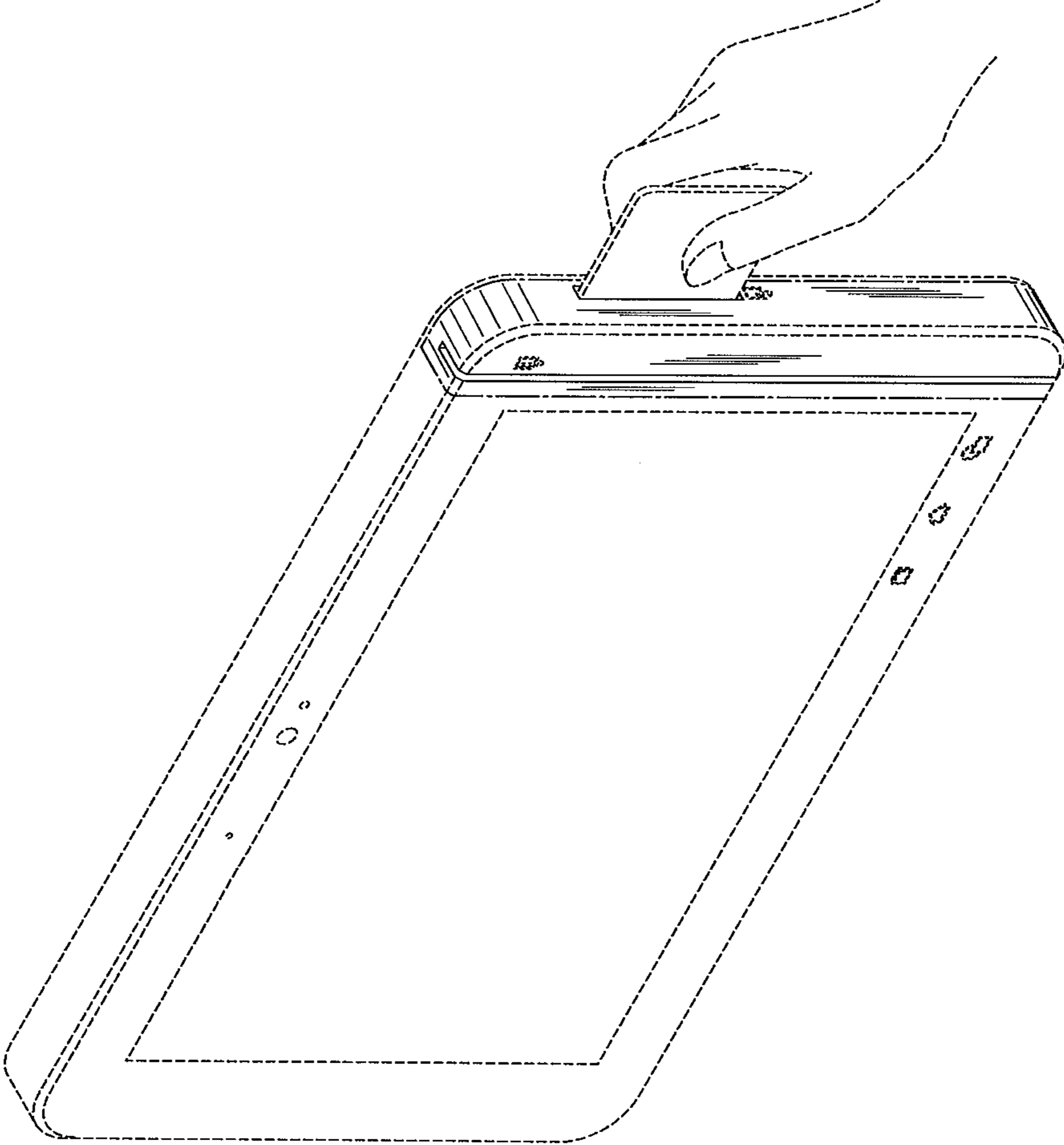


FIG.8

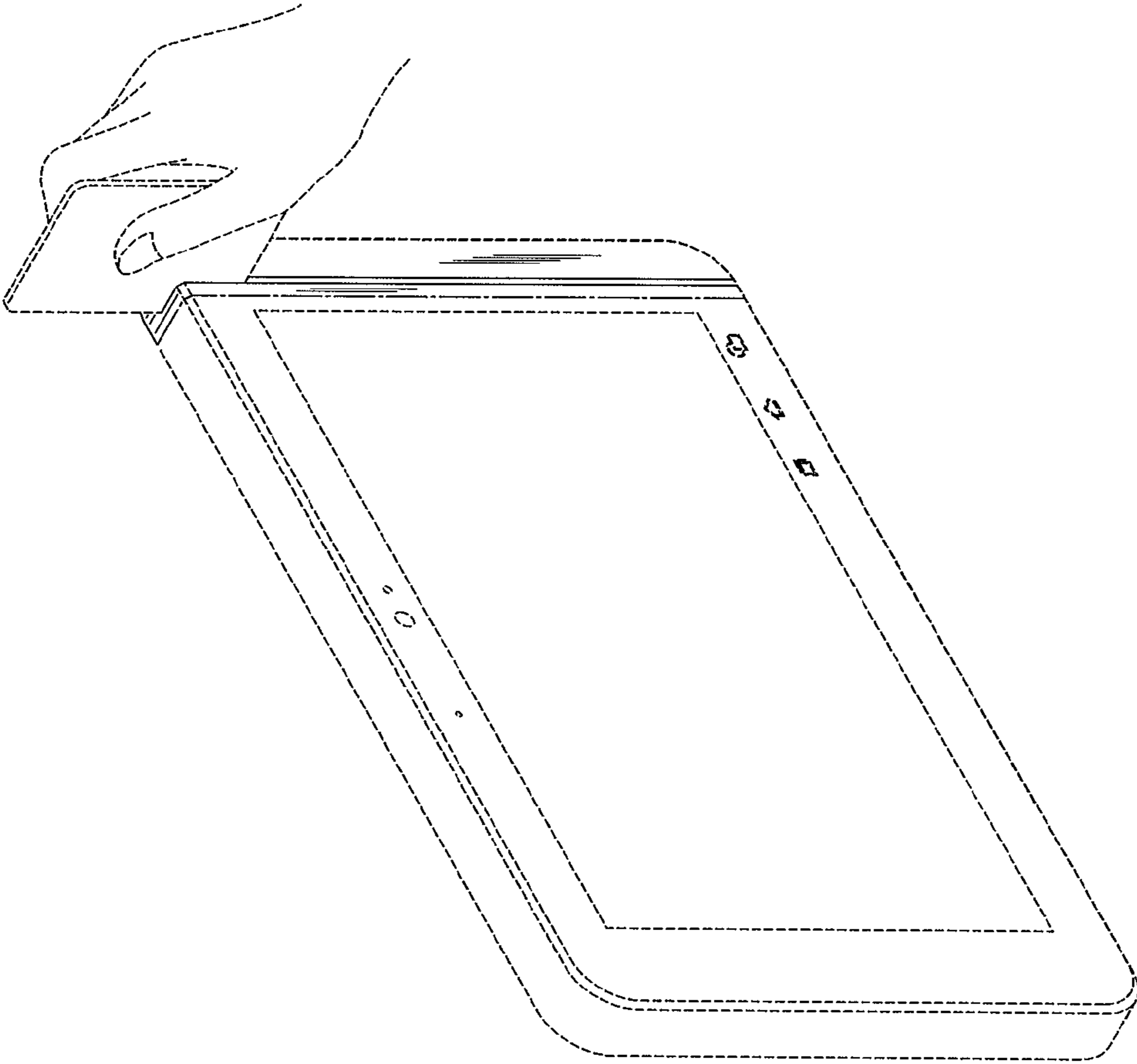


FIG.9