



US00D725179S

(12) **United States Design Patent**
Uesugi

(10) **Patent No.:** **US D725,179 S**
(45) **Date of Patent:** **** Mar. 24, 2015**

(54) **SOUND MODULE**

(75) Inventor: **Tetsuya Uesugi**, Hamamatsu (JP)

(73) Assignee: **Roland Corporation**, Hamamatsu (JP)

(**) Term: **14 Years**

(21) Appl. No.: **29/424,150**

(22) Filed: **Jun. 7, 2012**

(30) **Foreign Application Priority Data**

Mar. 16, 2012 (JP) 2012-006085

(51) **LOC (10) Cl.** **17-99**

(52) **U.S. Cl.**
USPC **D17/99**

(58) **Field of Classification Search**
USPC D17/99, 20; D14/217, 168; 84/746,
84/635, 711, 741; 713/186

See application file for complete search history.

(56) **References Cited**

U.S. PATENT DOCUMENTS

D275,111	S	*	8/1984	Chapman	D17/20
5,022,305	A	*	6/1991	Butler	84/711
D371,790	S	*	7/1996	Takei	D14/217
D444,460	S	*	7/2001	Kitazawa et al.	D14/217
D510,380	S		10/2005	Adam et al.		
D518,086	S	*	3/2006	Ito	D17/99
D560,203	S	*	1/2008	Williamson et al.	D14/168
7,711,961	B2	*	5/2010	Fujinuma et al.	713/186
D630,616	S	*	1/2011	Vex	D14/217

8,324,494	B1	*	12/2012	Packouz	84/635
8,802,961	B2	*	8/2014	Juszkiewicz	84/746
2013/0239789	A1	*	9/2013	Tabata	84/741

* cited by examiner

Primary Examiner — George D Kirschbaum

(74) *Attorney, Agent, or Firm* — Foley & Lardner LLP

(57) **CLAIM**

I claim, the ornamental design of a sound module, as shown and described.

DESCRIPTION

FIG. 1 is a front view of a sound module according to the claimed design;

FIG. 2 is a rear view of a sound module according to the claimed design;

FIG. 3 is a left side view of a sound module according to the claimed design;

FIG. 4 is a right side view of a sound module according to the claimed design;

FIG. 5 is a top view of a sound module according to the claimed design;

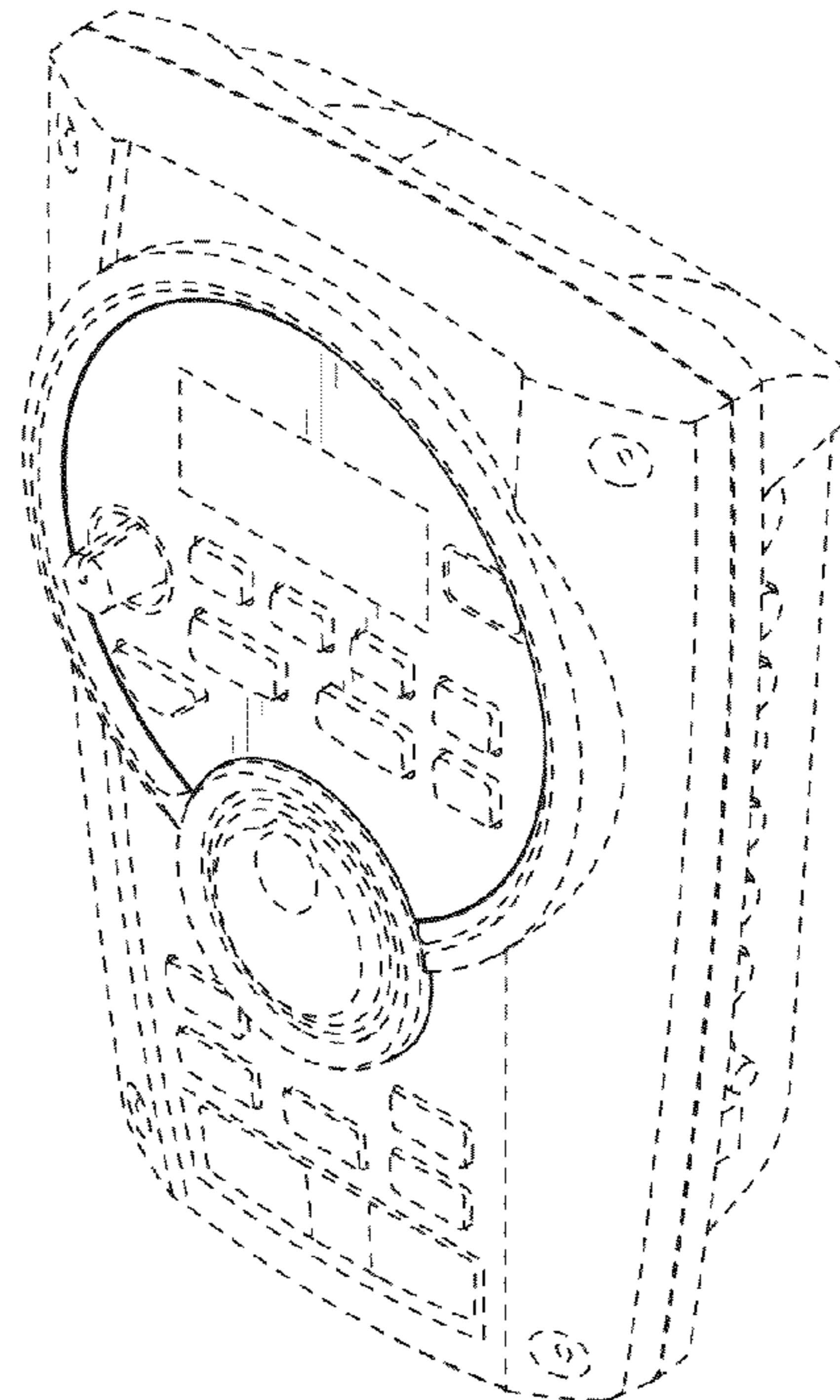
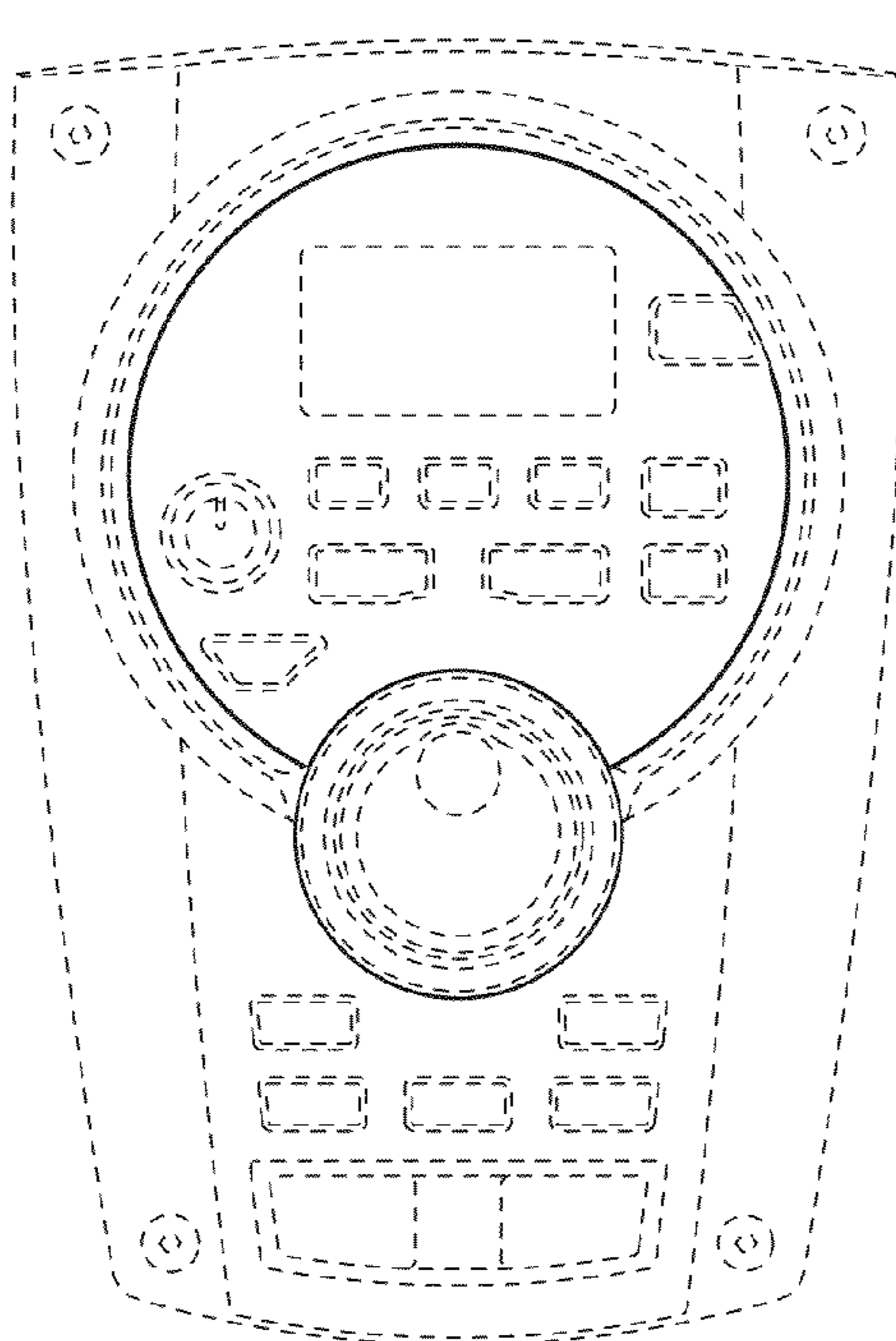
FIG. 6 is a bottom view of a sound module according to the claimed design;

FIG. 7 is a perspective view of a sound module according to the claimed design; and,

FIG. 8 is a perspective view of a sound module according to the claimed design in an example environment of use.

The ornamental design which is claimed is shown in solid lines in the drawings. The portions of the sound module shown in broken lines form no part of the claimed design.

1 Claim, 4 Drawing Sheets



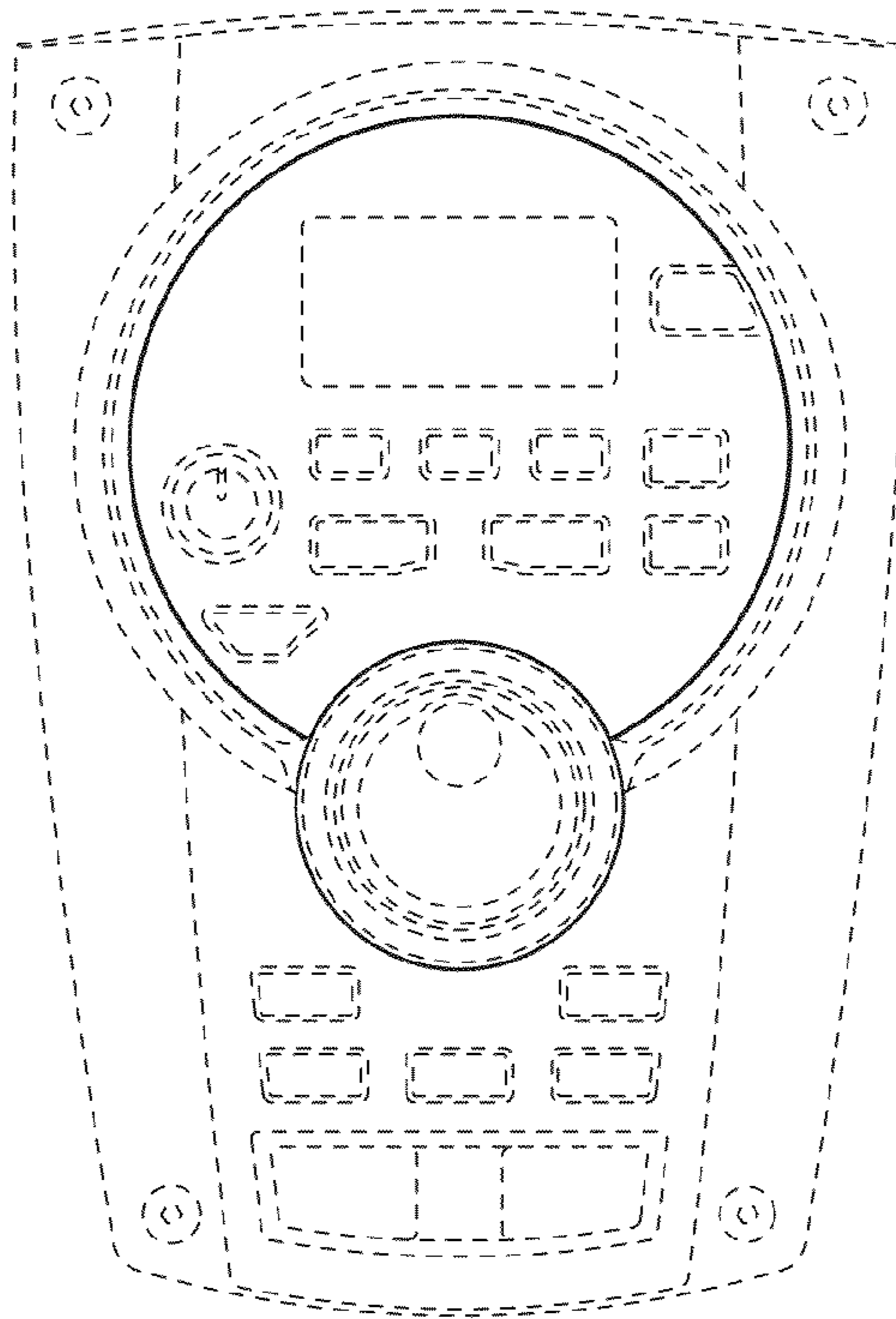


FIG. 1

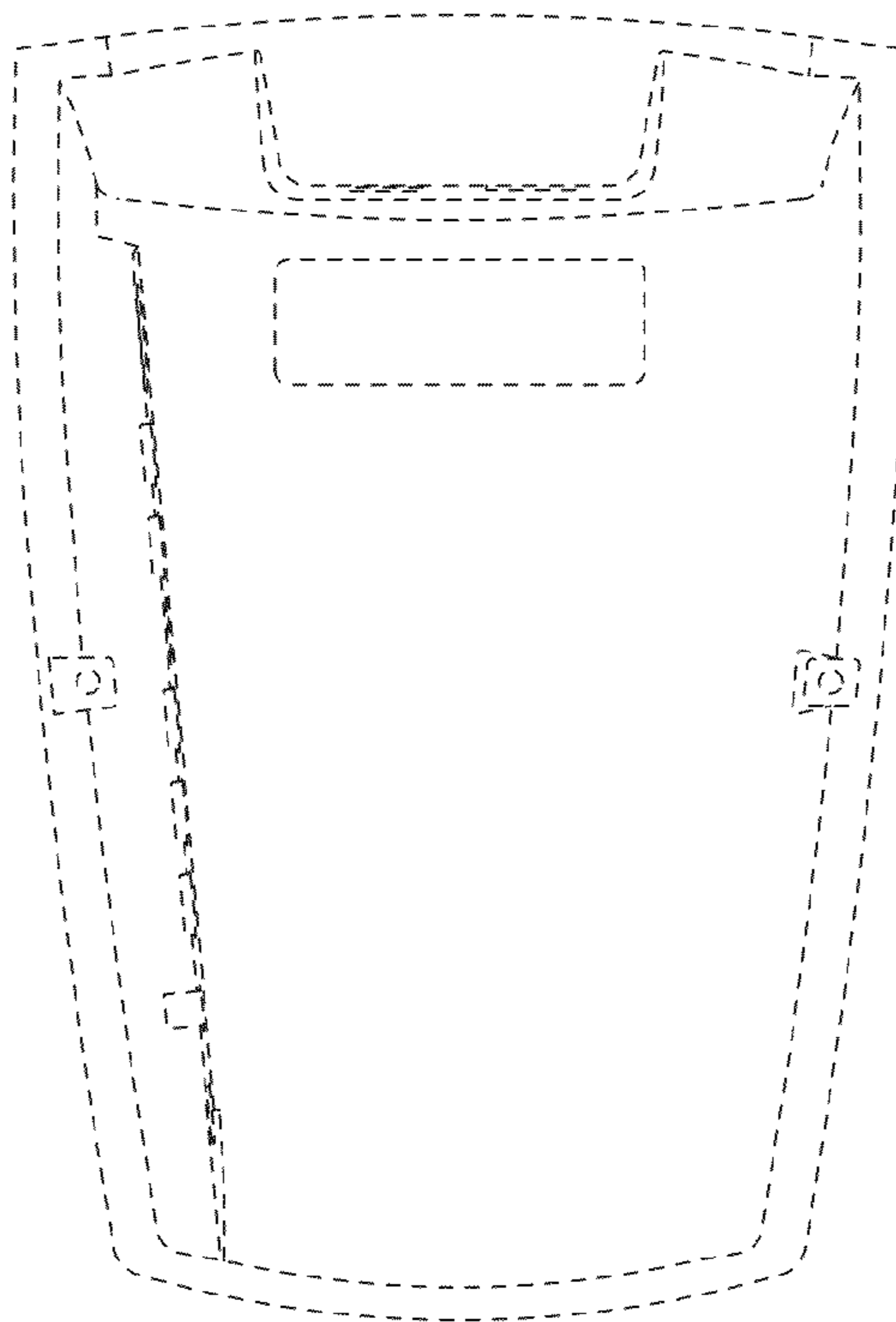


FIG. 2

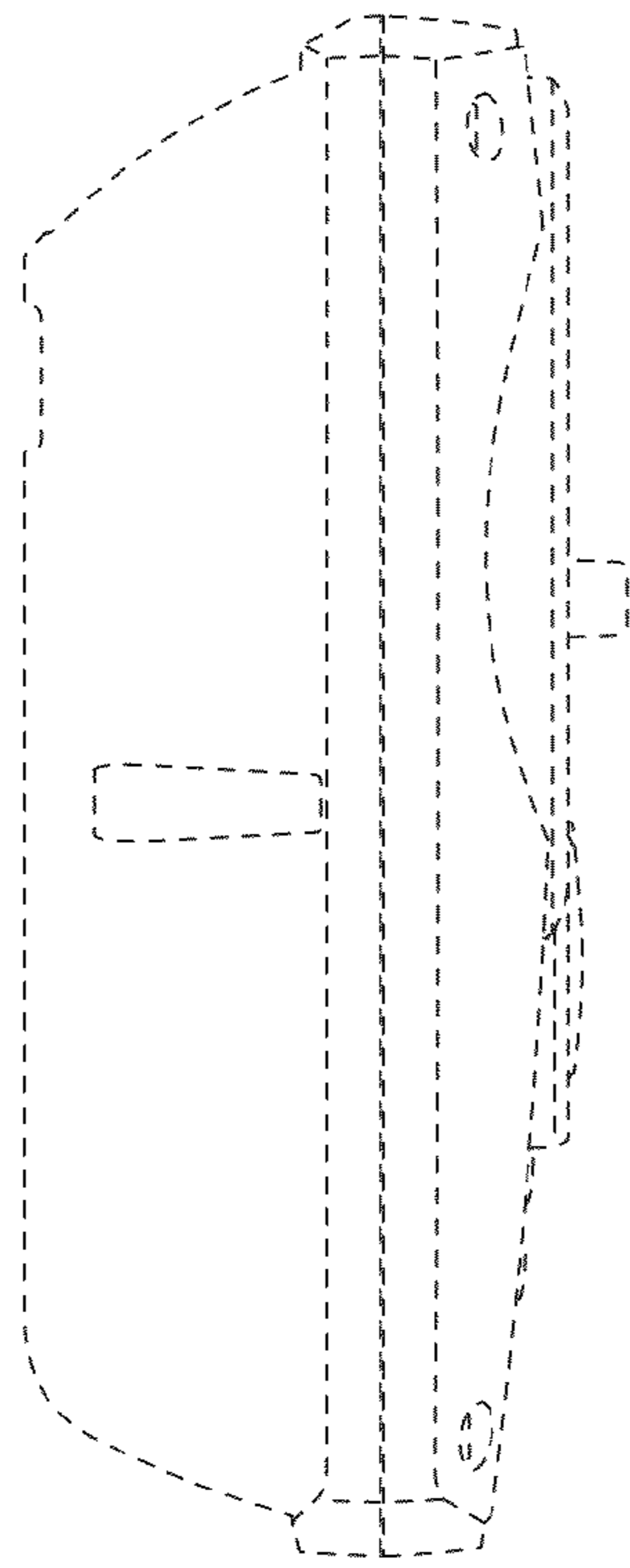


FIG. 3

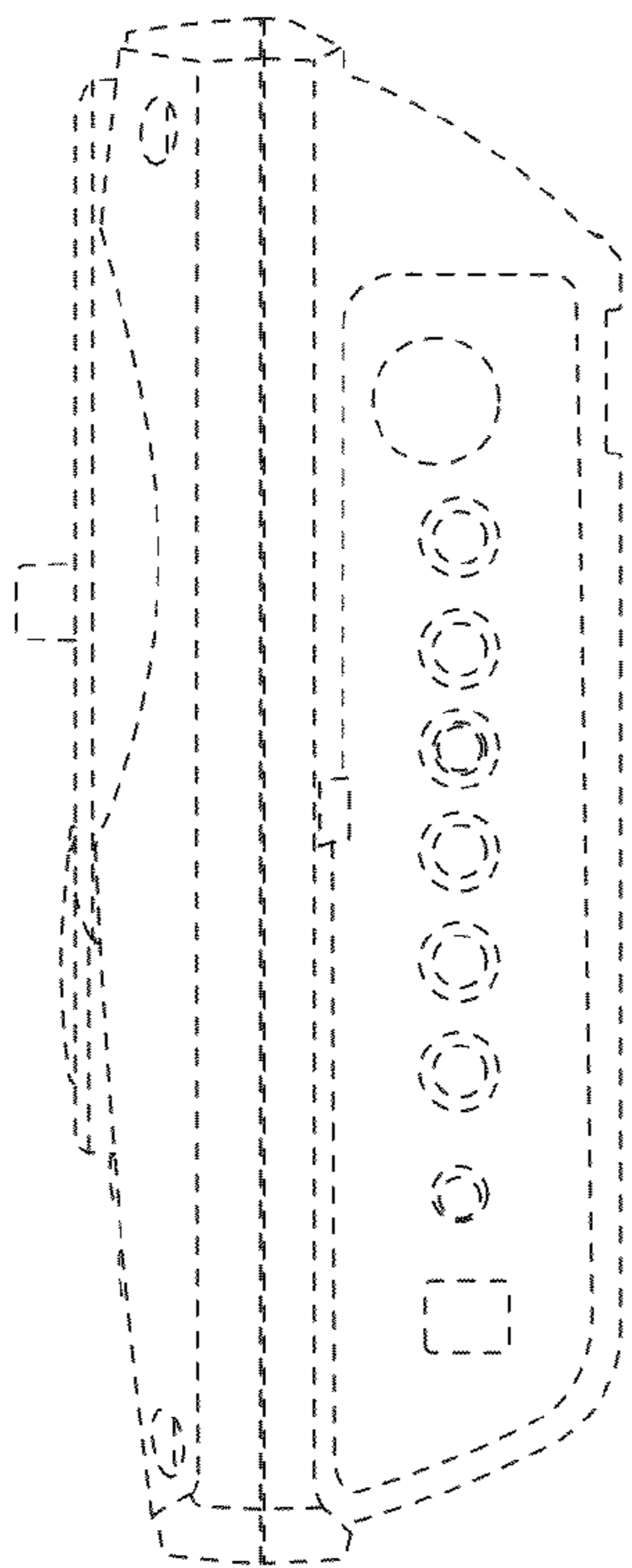


FIG. 4

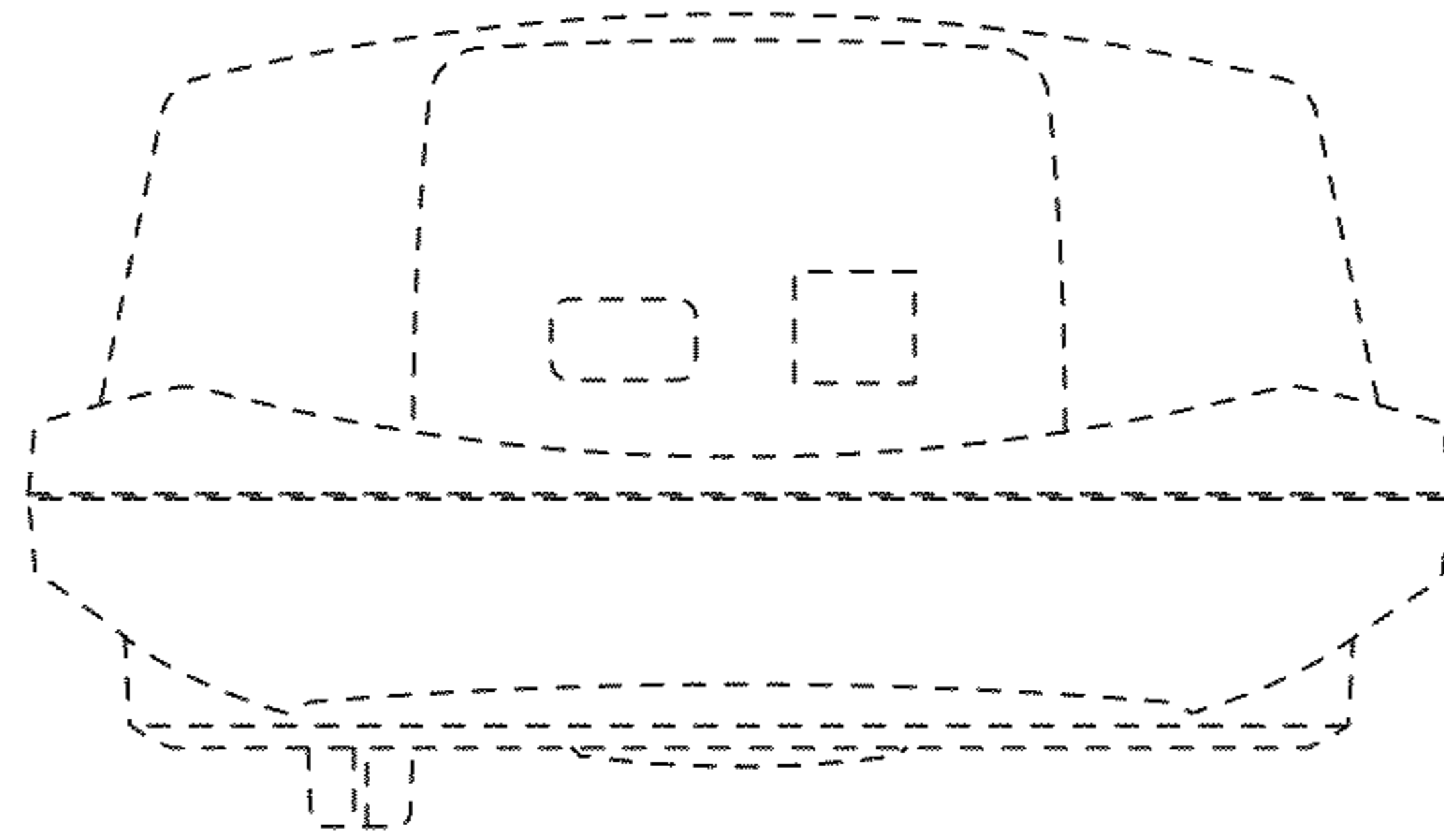


FIG. 5

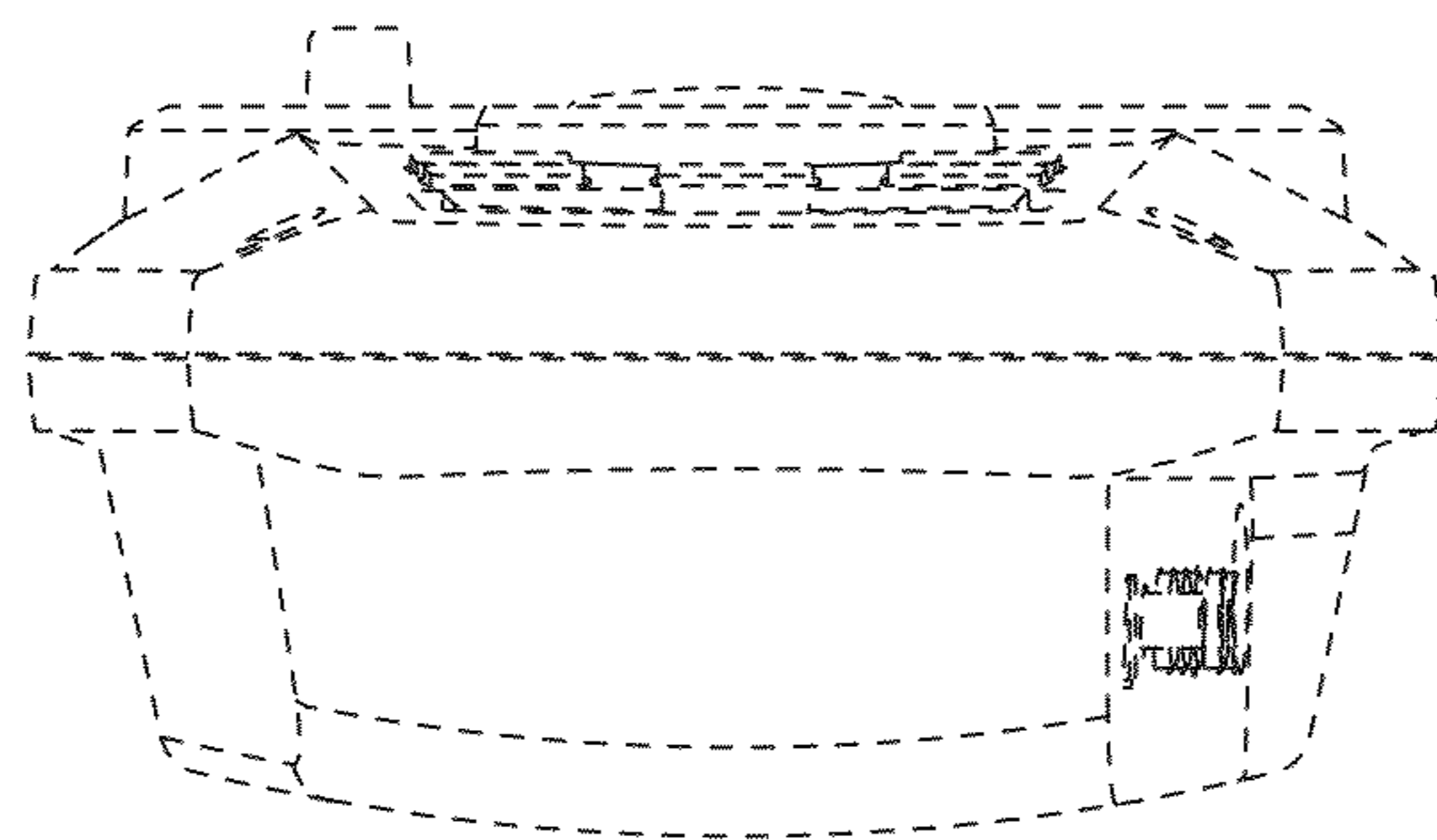


FIG. 6

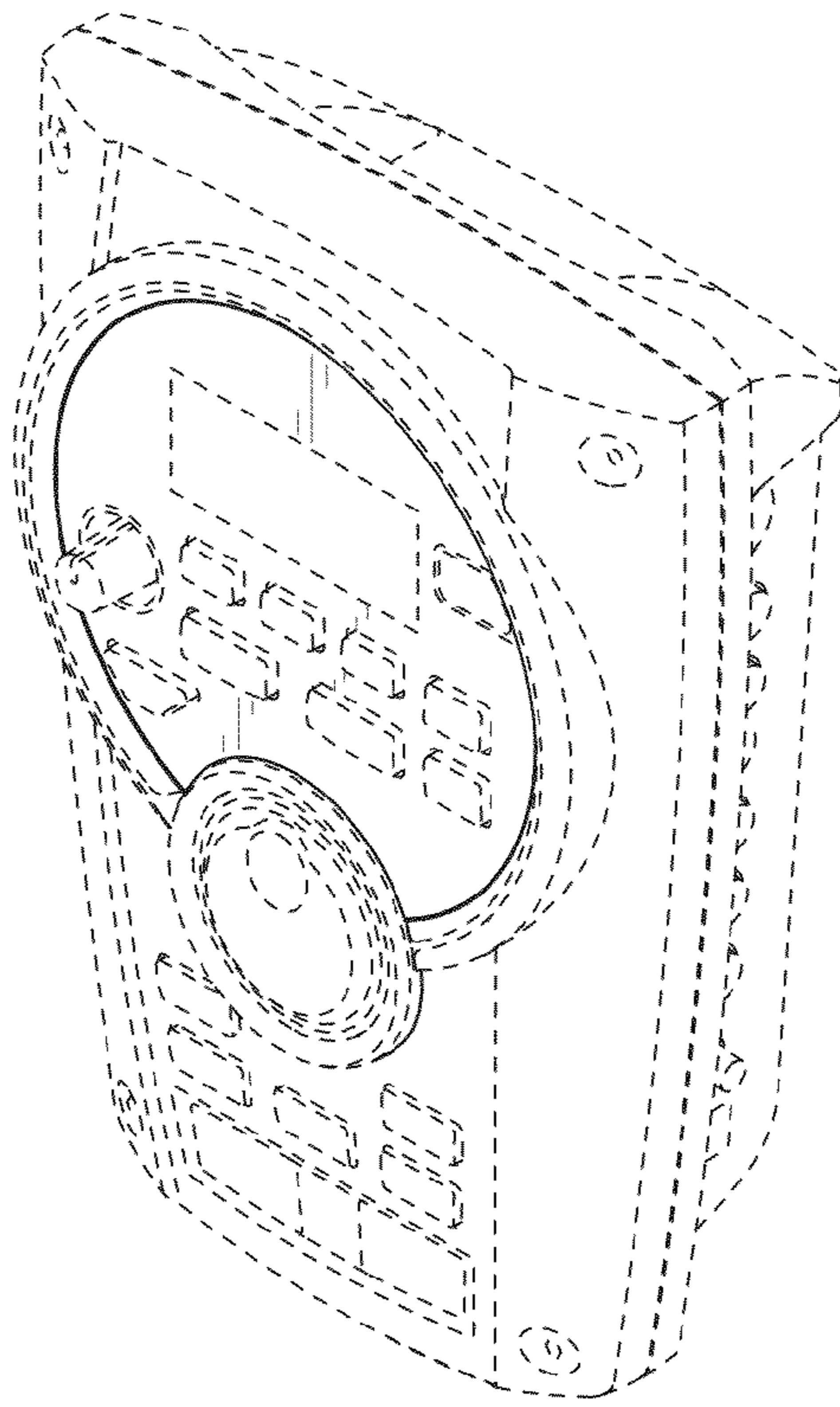


FIG. 7

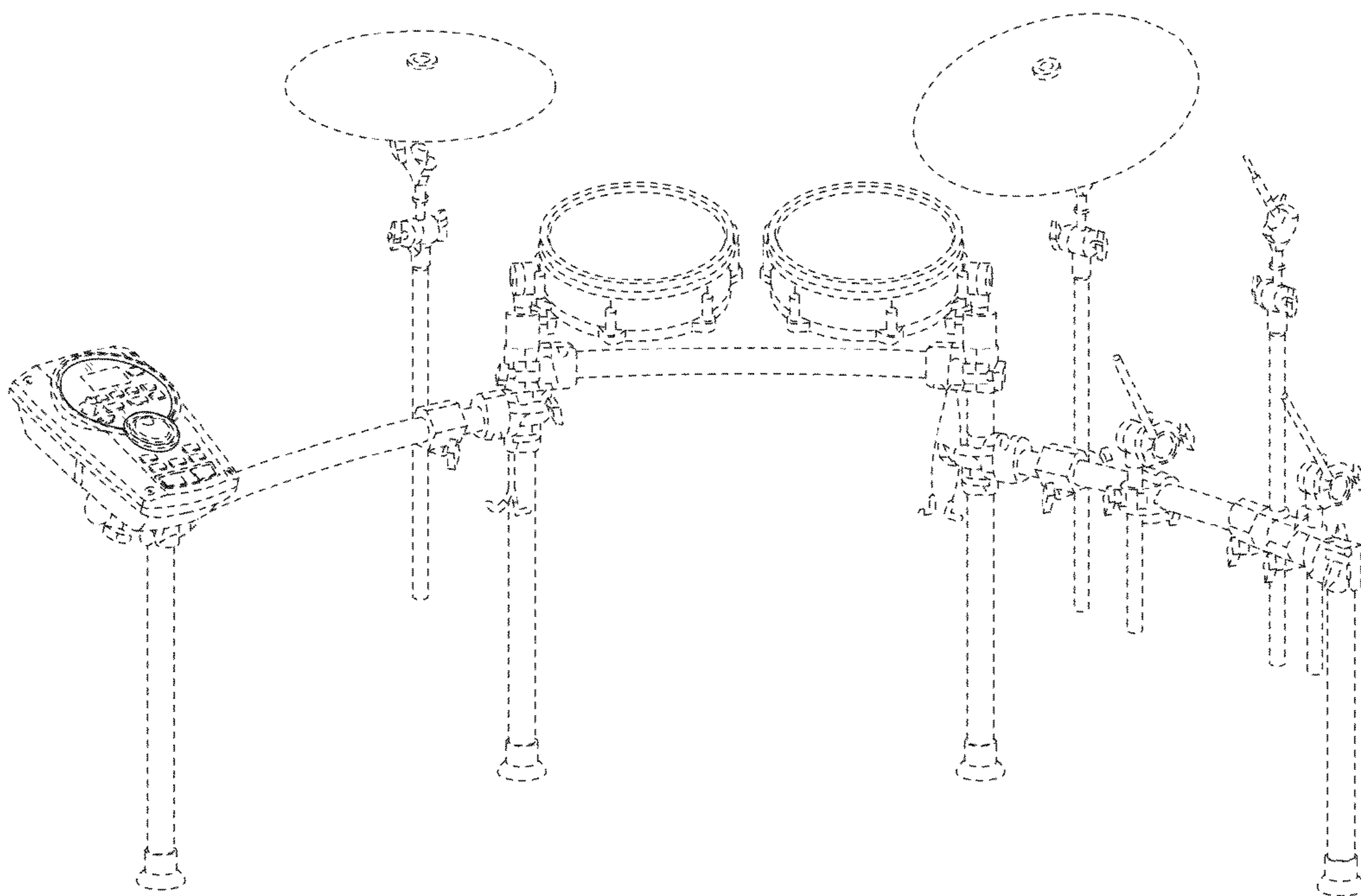


FIG. 8