



US00D725175S

(12) **United States Design Patent**
Wang-Lee

(10) **Patent No.:** **US D725,175 S**
(45) **Date of Patent:** **** Mar. 24, 2015**

(54) **PROTECTIVE GOGGLE**

(71) Applicant: **Jiann Lih Optical Co., Ltd.**, Tainan (TW)
(72) Inventor: **Chen-Chang Wang-Lee**, Tainan (TW)
(73) Assignee: **Jiann Lih Optical Co., Ltd.**, Tainan (TW)
(**) Term: **14 Years**

(21) Appl. No.: **29/497,051**
(22) Filed: **Jul. 21, 2014**

(30) **Foreign Application Priority Data**
Apr. 14, 2014 (TW) 103302170
(51) **LOC (10) Cl.** **16-06**
(52) **U.S. Cl.**
USPC **D16/312**
(58) **Field of Classification Search**
CPC G02C 2200/08; G02C 1/06
USPC D16/101, 300-342, 900; D29/109-110;
351/41, 44, 51-52, 62, 158, 92,
351/103-123, 140-153, 63, 59, 45-46;
2/426-432, 447-449, 441, 434-437,
2/13, 15; D21/483, 659-661; D14/372
See application file for complete search history.

(56) **References Cited**

U.S. PATENT DOCUMENTS

3,141,172 A *	7/1964	Hirschmann	2/436
4,264,988 A *	5/1981	Specht	2/431
D293,504 S *	1/1988	Specht et al.	D16/312
D515,615 S *	2/2006	Fecteau et al.	D16/312
D574,409 S *	8/2008	Stanley et al.	D16/312
D591,786 S *	5/2009	Wang	D16/312
D609,265 S *	2/2010	Wang-Lee	D16/312
D626,987 S *	11/2010	Yang	D16/312
D695,335 S *	12/2013	Goodman et al.	D16/312

* cited by examiner

Primary Examiner — Raphael Barkai
(74) *Attorney, Agent, or Firm* — Alan D. Kamrath; Kamrath IP Lawfirm, P.A.

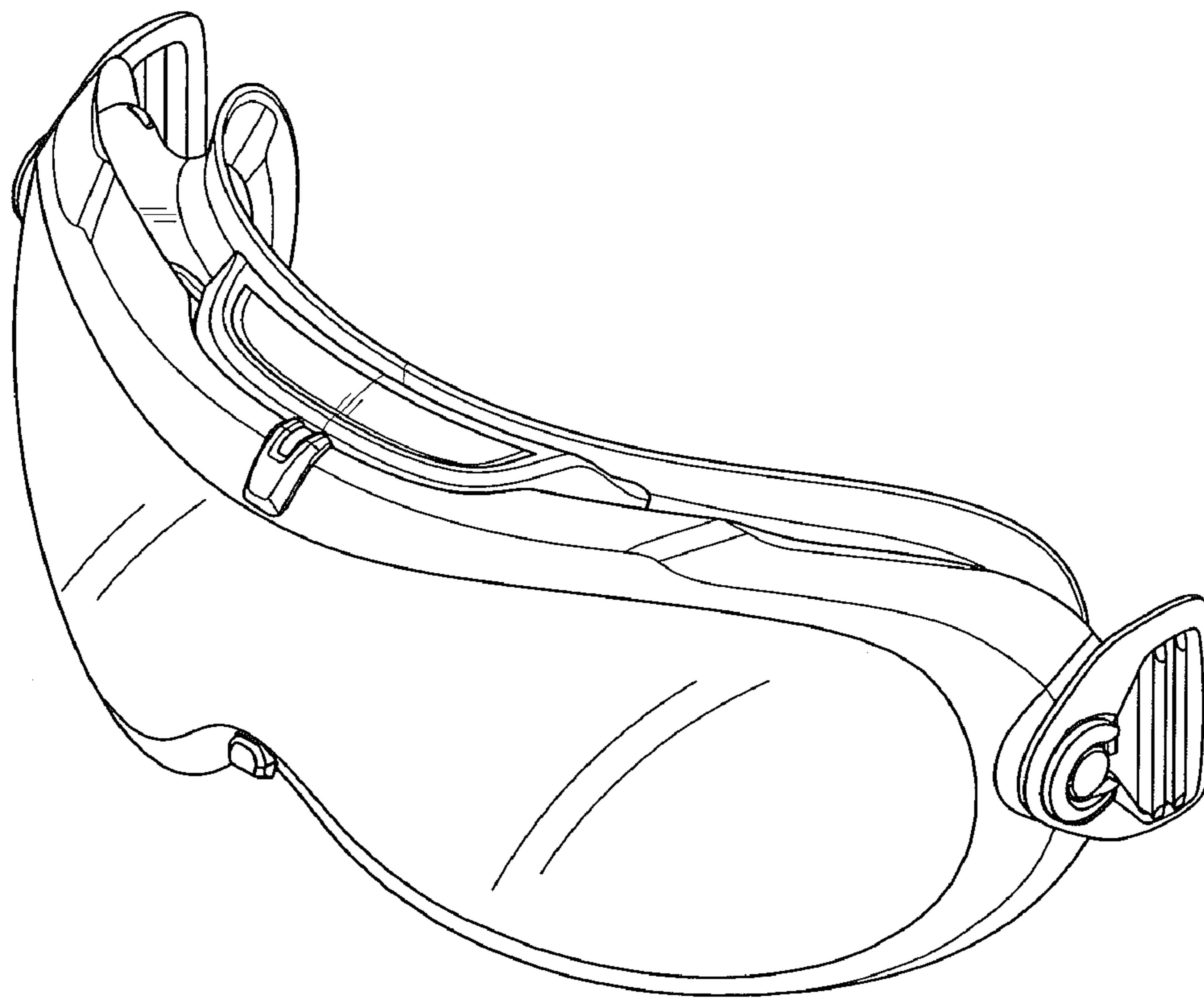
(57) **CLAIM**

The ornamental design for a protective goggle, as shown and described.

DESCRIPTION

FIG. 1 is a perspective view of a protective goggle showing my new design;
FIG. 2 is a front side elevational view thereof;
FIG. 3 is a rear side elevational view thereof;
FIG. 4 is a left side elevational view thereof;
FIG. 5 is a right side elevational view thereof;
FIG. 6 is a top plan view thereof; and,
FIG. 7 is a bottom plan view thereof.

1 Claim, 4 Drawing Sheets



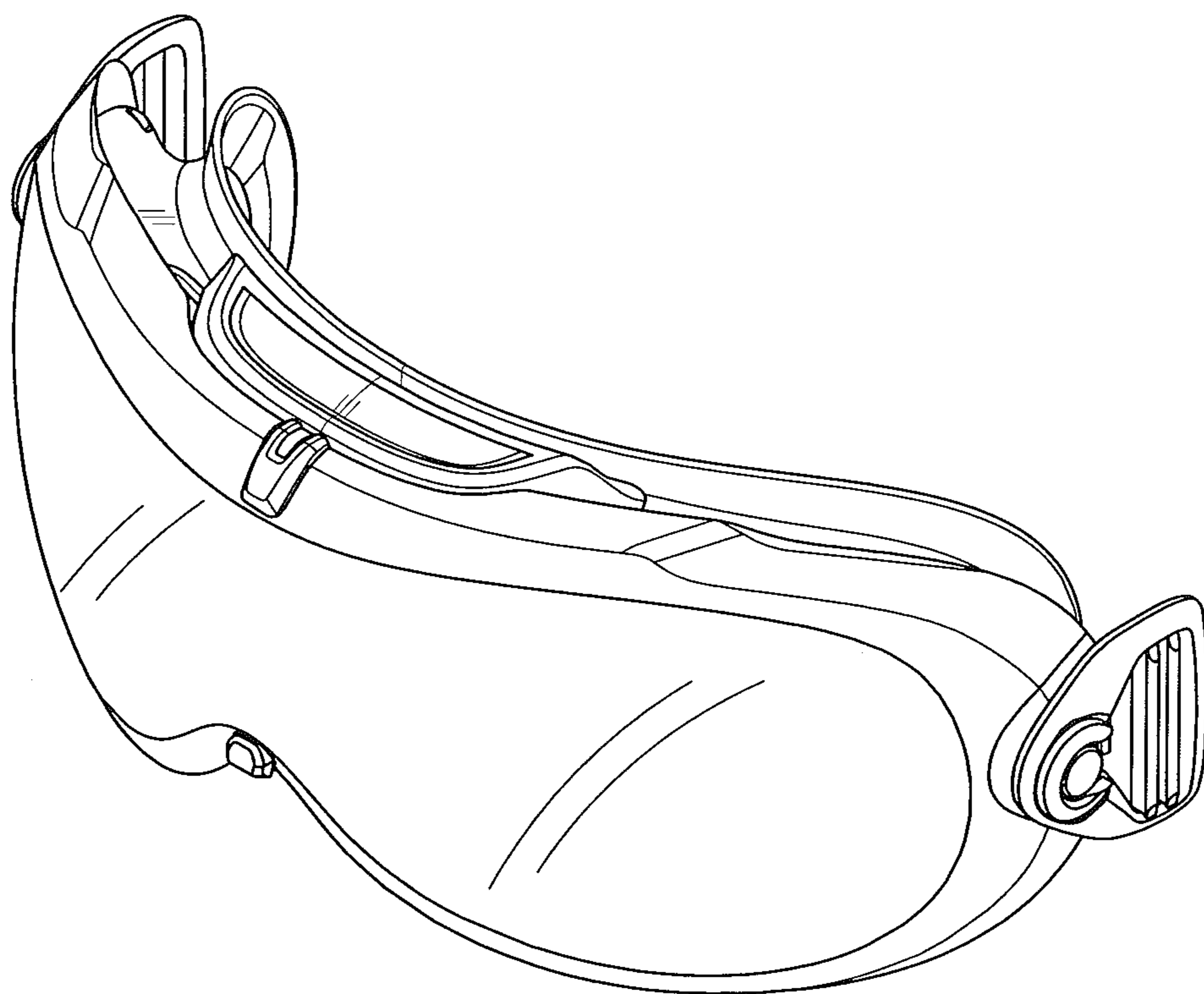


FIG. 1

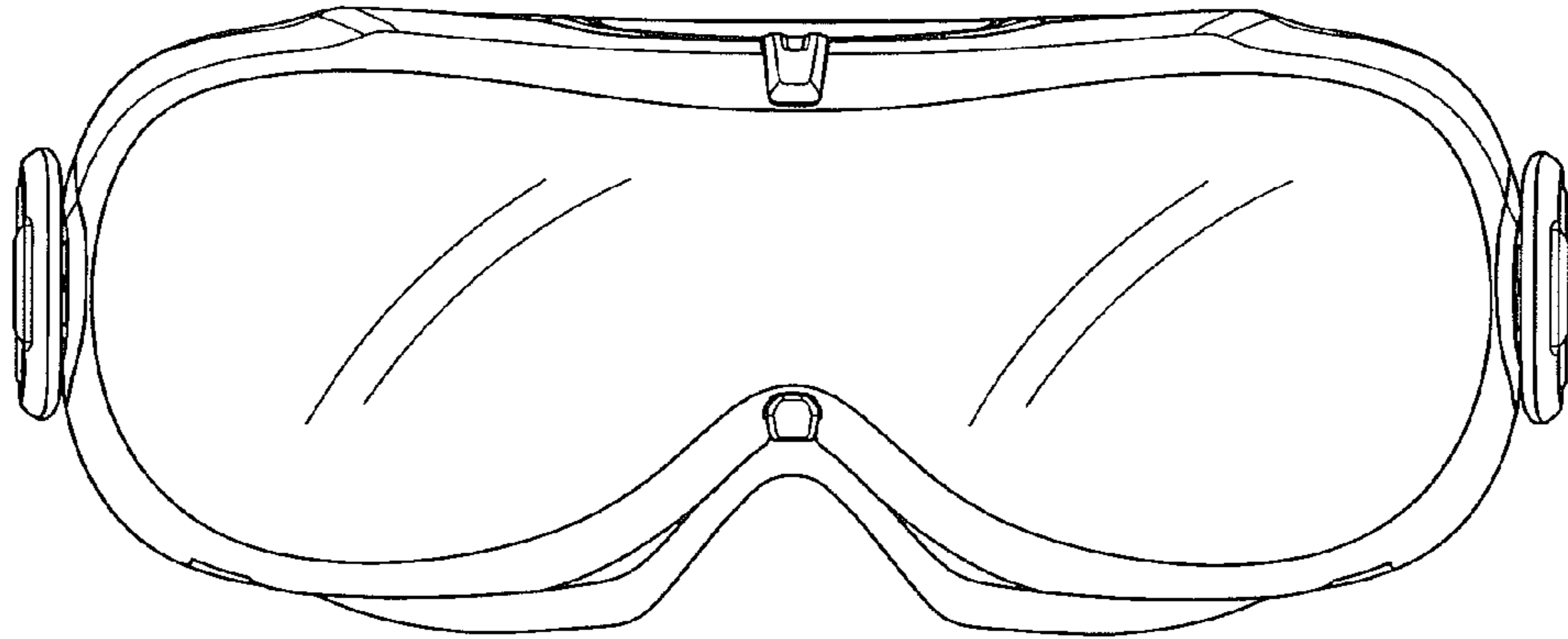


FIG. 2

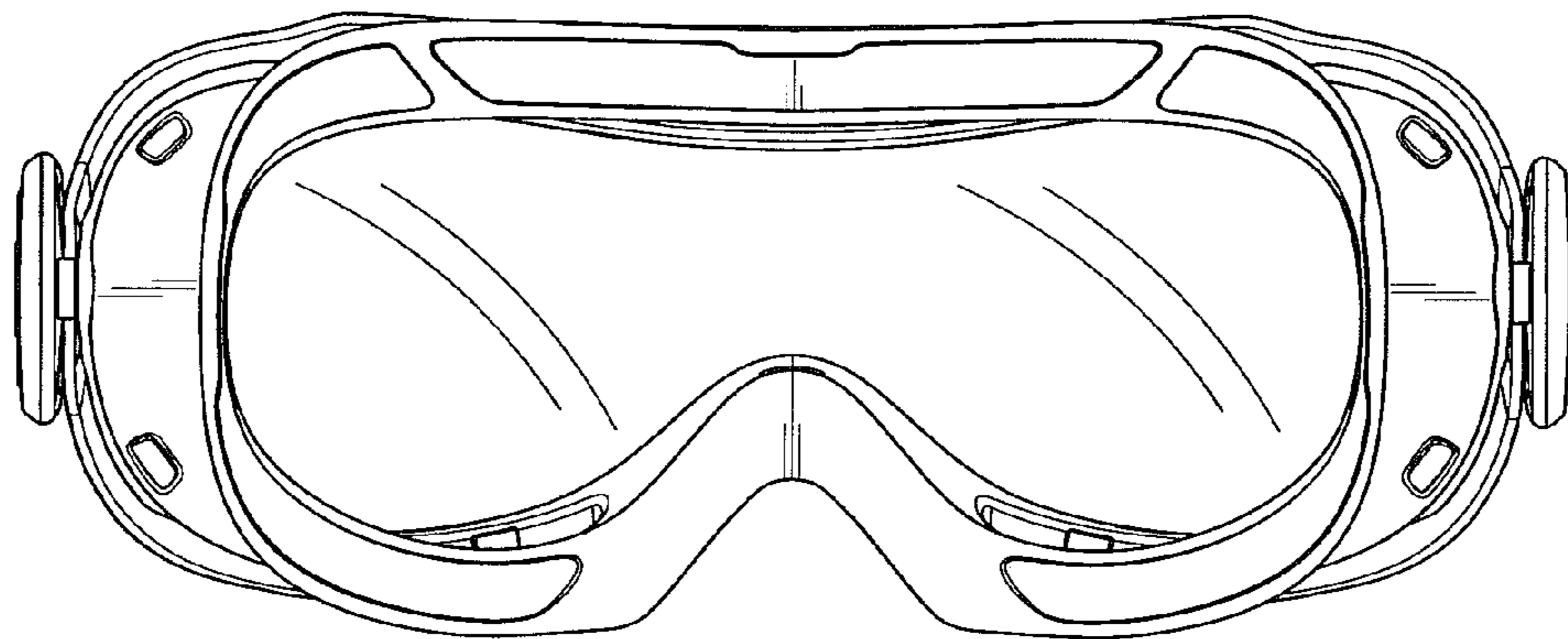


FIG. 3

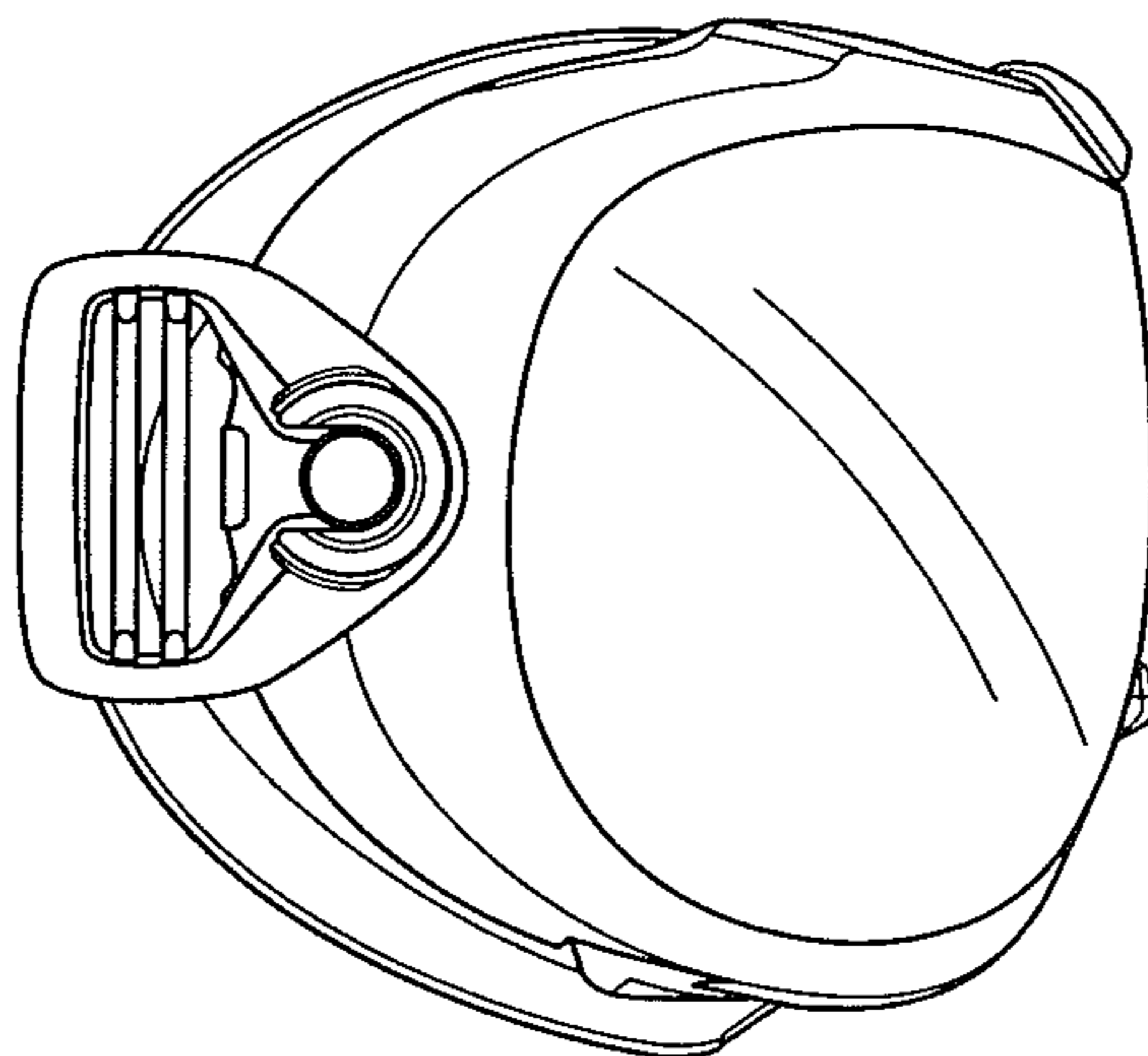


FIG. 4

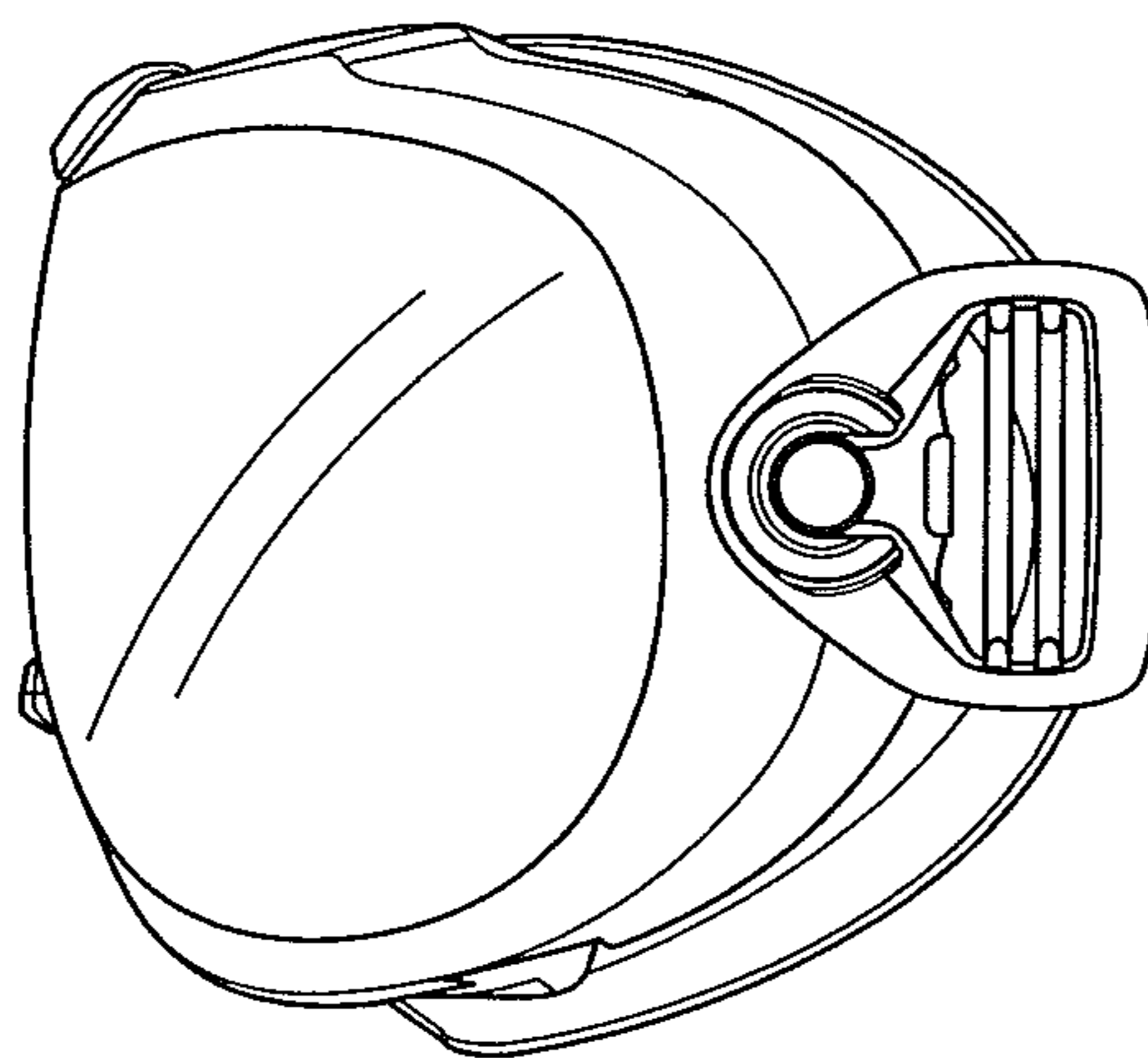


FIG. 5

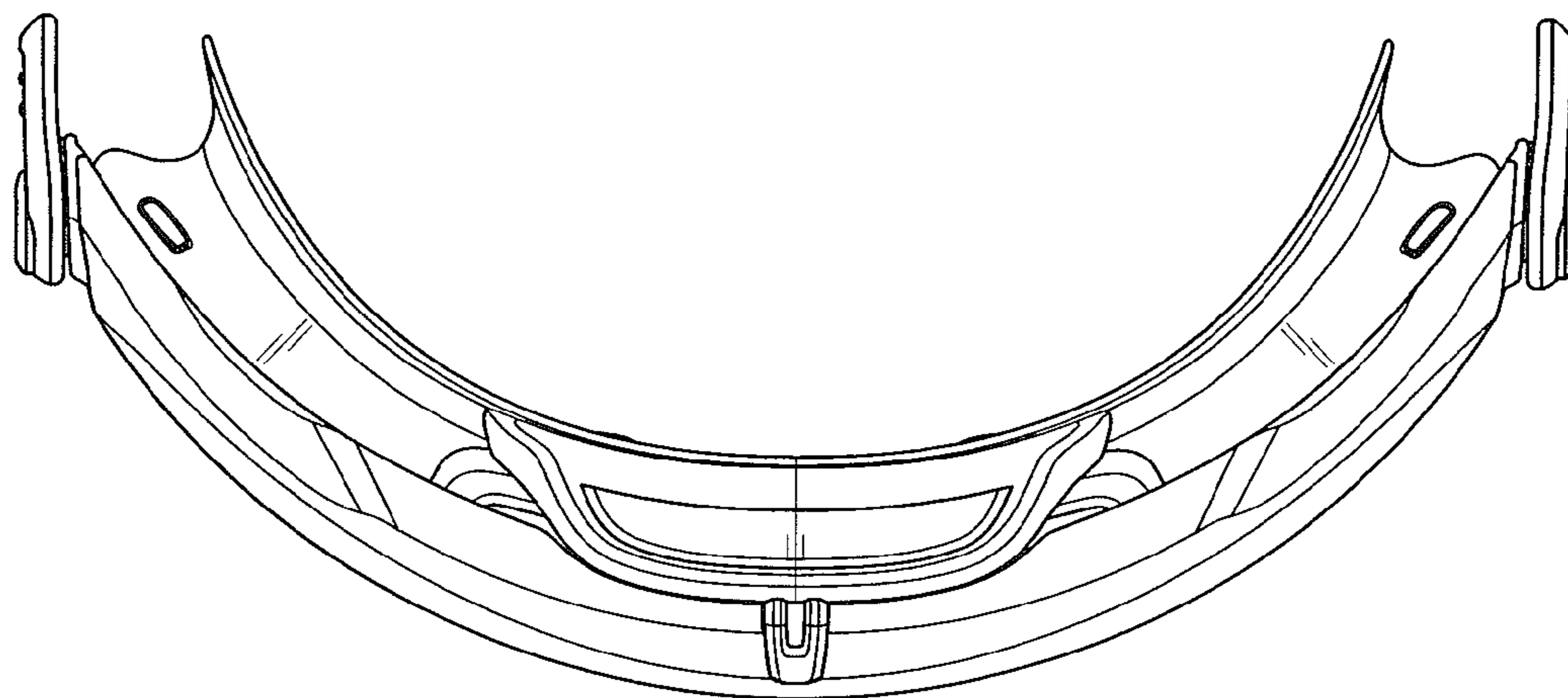


FIG. 6

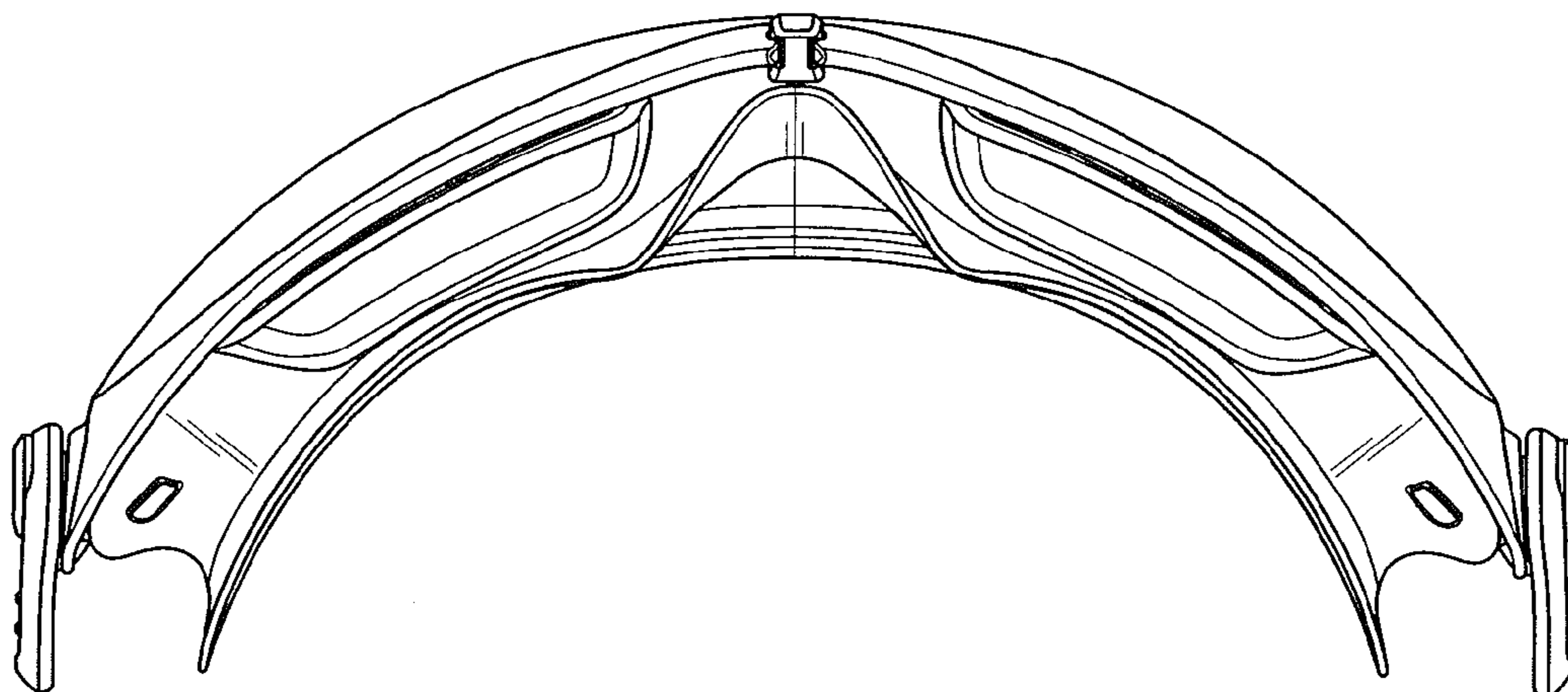


FIG. 7