



US00D725174S

(12) **United States Design Patent**
Wong

(10) **Patent No.:** **US D725,174 S**
(45) **Date of Patent:** **** Mar. 24, 2015**

- (54) **EYEGGLASSES-MOUNTED VISOR**
- (71) Applicant: **Ken Edward Wong**, Honolulu, HI (US)
- (72) Inventor: **Ken Edward Wong**, Honolulu, HI (US)
- (**) Term: **14 Years**
- (21) Appl. No.: **29/474,134**
- (22) Filed: **Jun. 10, 2014**
- (51) **LOC (10) Cl.** **16-06**
- (52) **U.S. Cl.**
USPC **D16/310; D16/340**
- (58) **Field of Classification Search**
CPC G02C 2200/08; G02C 1/06
USPC D16/101, 300-342, 900; D29/109-110;
351/41, 44, 51-52, 62, 158, 92,
351/103-123, 140-153, 63, 59, 45-46;
2/426-432, 447-449, 441, 434-437,
2/13, 15; D21/483, 659-661; D14/372
See application file for complete search history.

(56) **References Cited**

U.S. PATENT DOCUMENTS

2,224,560	A *	12/1940	Wentz	2/13
2,541,242	A *	2/1951	Grove	2/13
2,795,793	A	6/1957	Sommers		
2,819,468	A	1/1958	Dincklage		
2,890,458	A *	6/1959	Hammond	2/13
D284,867	S *	7/1986	Takatsuji	D16/340
4,889,420	A	12/1989	Bradshaw, II et al.		
D320,609	S *	10/1991	Cross et al.	D16/340
D339,597	S *	9/1993	Sprong	D16/340
5,438,378	A	8/1995	Blatter		
5,519,460	A	5/1996	Mills		
5,524,291	A	6/1996	Rio et al.		
5,913,416	A *	6/1999	Rothan	206/5

6,052,823	A	4/2000	Wilks		
6,739,718	B1	5/2004	Jung		
6,944,882	B2	9/2005	Lawrence et al.		
D669,253	S *	10/2012	Houston et al.	D2/893
2003/0229932	A1	12/2003	Whelan et al.		
2007/0115425	A1	5/2007	Englebright		
2008/0083046	A1	4/2008	Matthias		

* cited by examiner

Primary Examiner — Raphael Barkai

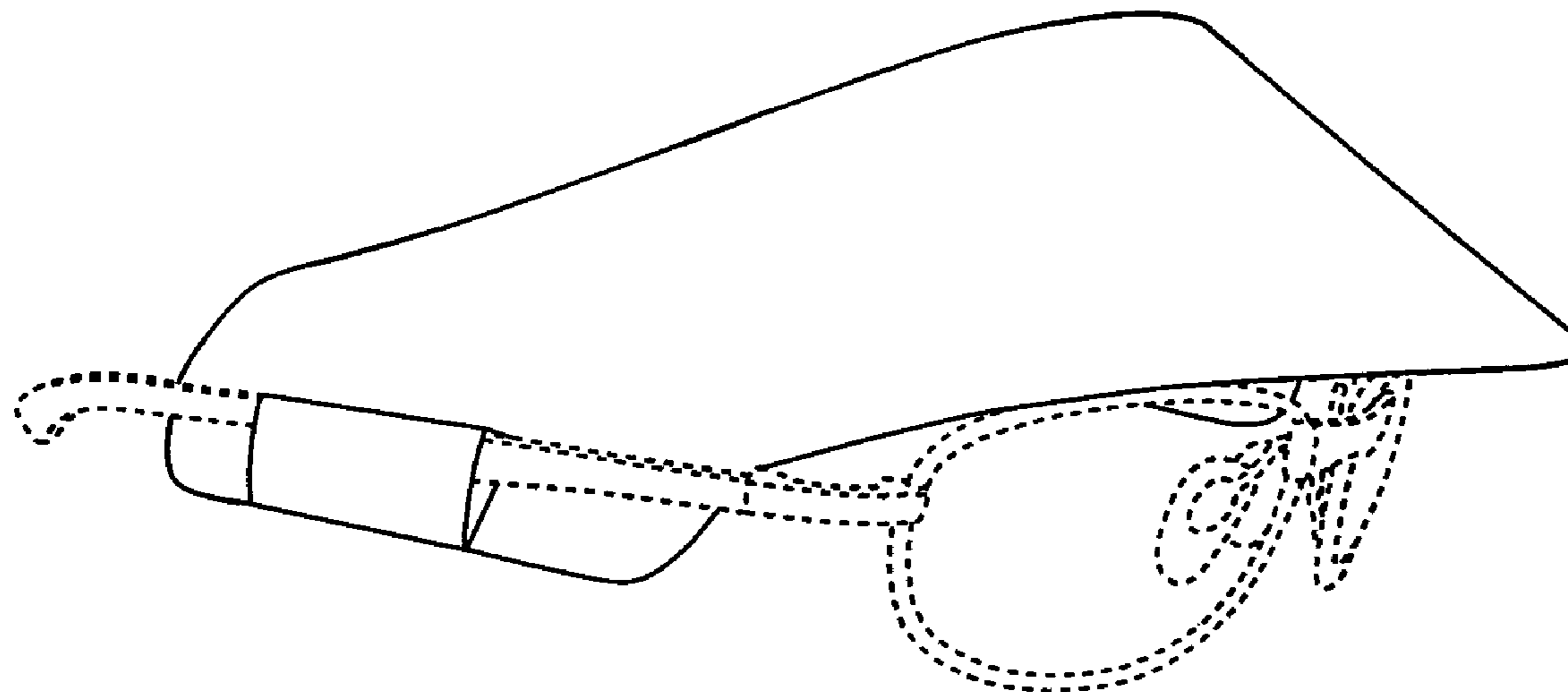
(57) **CLAIM**

The ornamental design for a eyeglasses-mounted visor, as shown and described.

DESCRIPTION

FIG. 1 is a front right perspective view of my eyeglasses-mounted visor;
 FIG. 2 is a top view of my unassembled eyeglasses-mounted visor
 FIG. 3 is a front view of my eyeglasses-mounted visor;
 FIG. 4 is a rear view thereof;
 FIG. 5 is a right view thereof;
 FIG. 6 is a left view thereof;
 FIG. 7 is a top view thereof;
 FIG. 8 is a bottom view thereof;
 FIG. 9 is a rear left perspective view thereof;
 FIG. 10 is a front right perspective view thereof mounted on eyeglasses with front flaps inside frames; and,
 FIG. 11 is a front right perspective view thereof mounted on eyeglasses with front flaps outside frames.
 The portion of the article depicted in broken lines is for illustrative purposes only and forms no part of my eyeglasses-mounted visor.

1 Claim, 3 Drawing Sheets



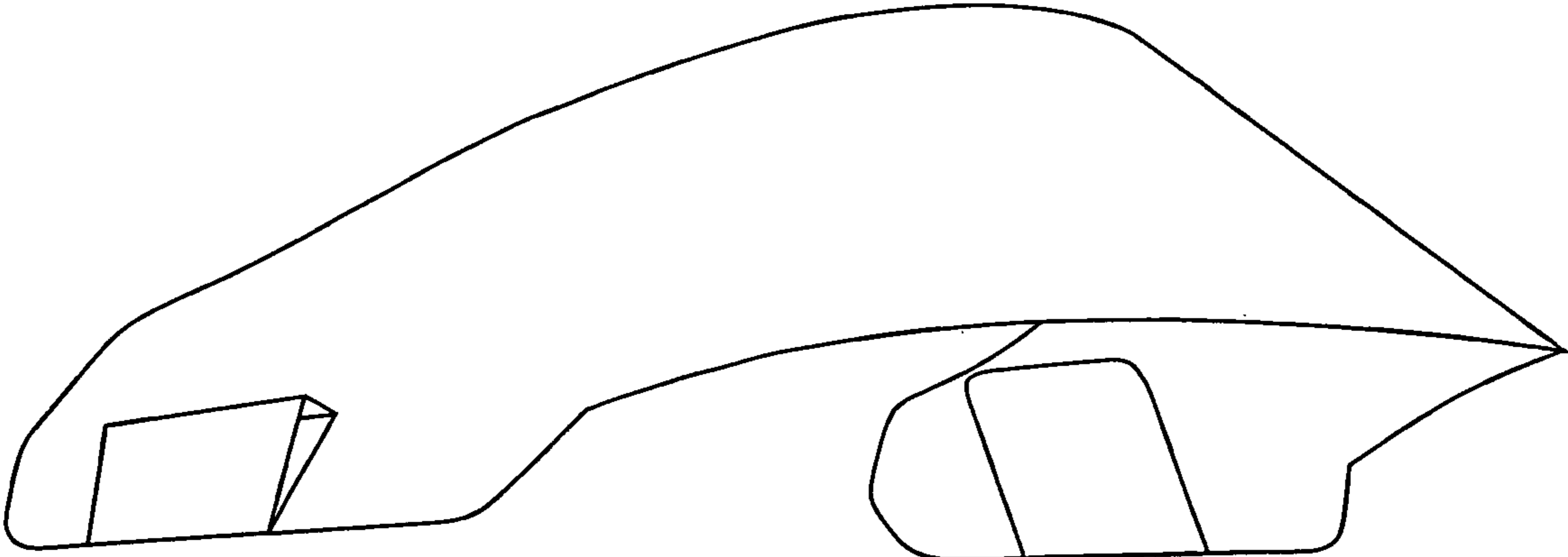


FIG.1

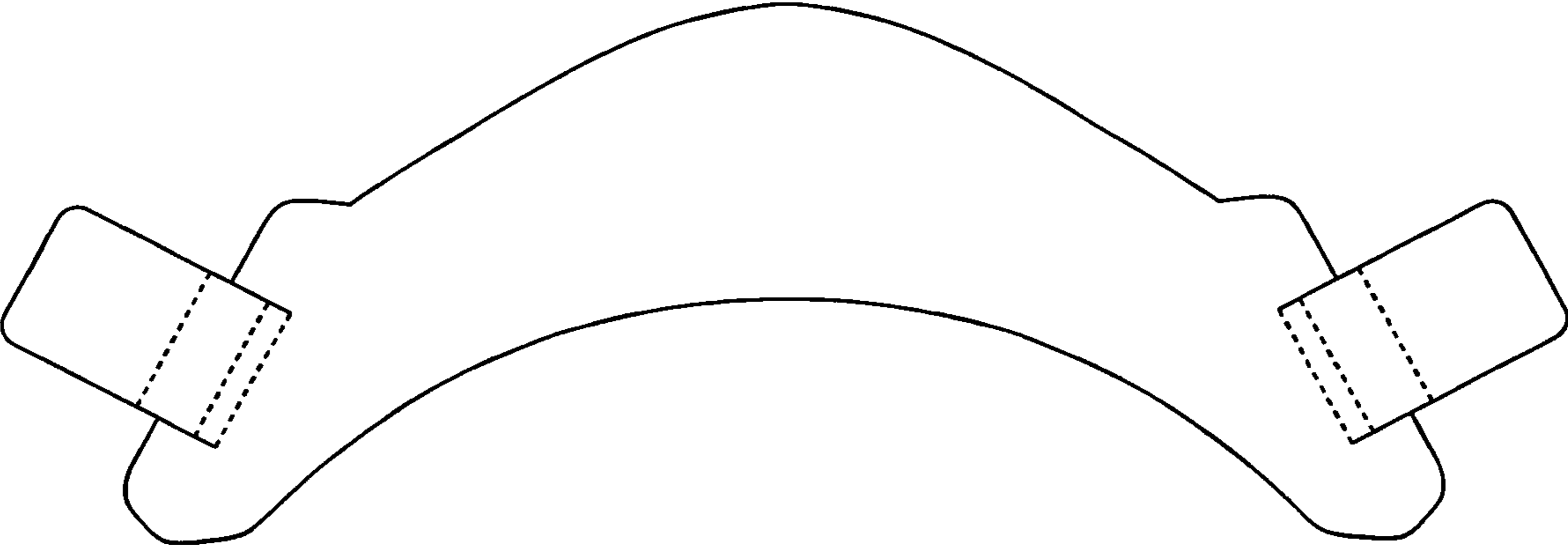


FIG.2

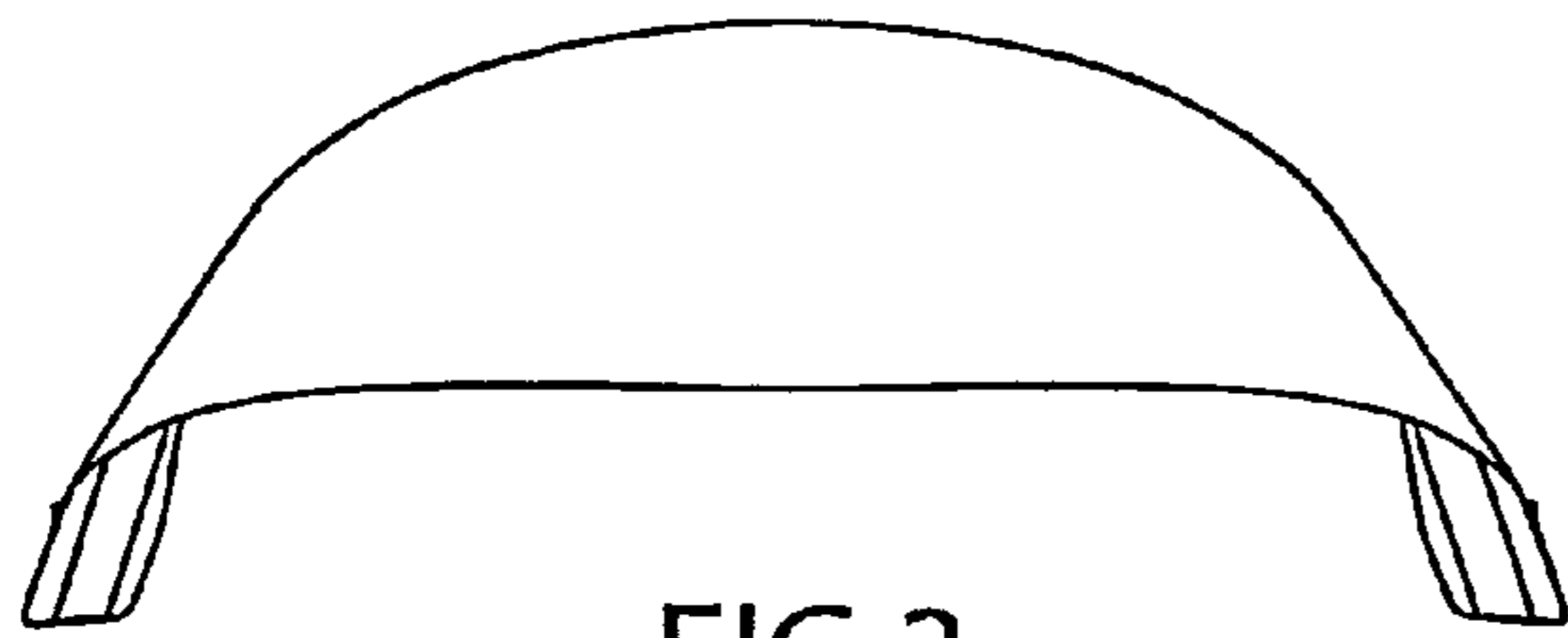


FIG.3

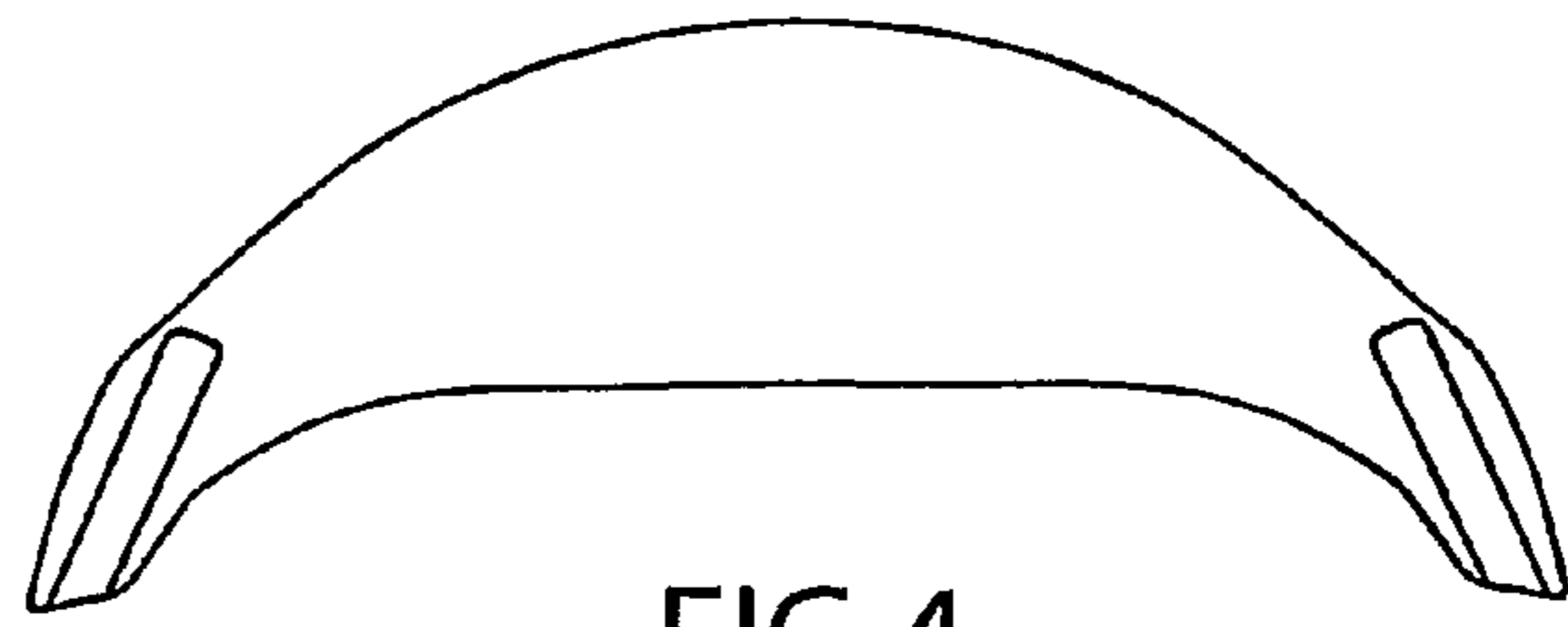


FIG.4

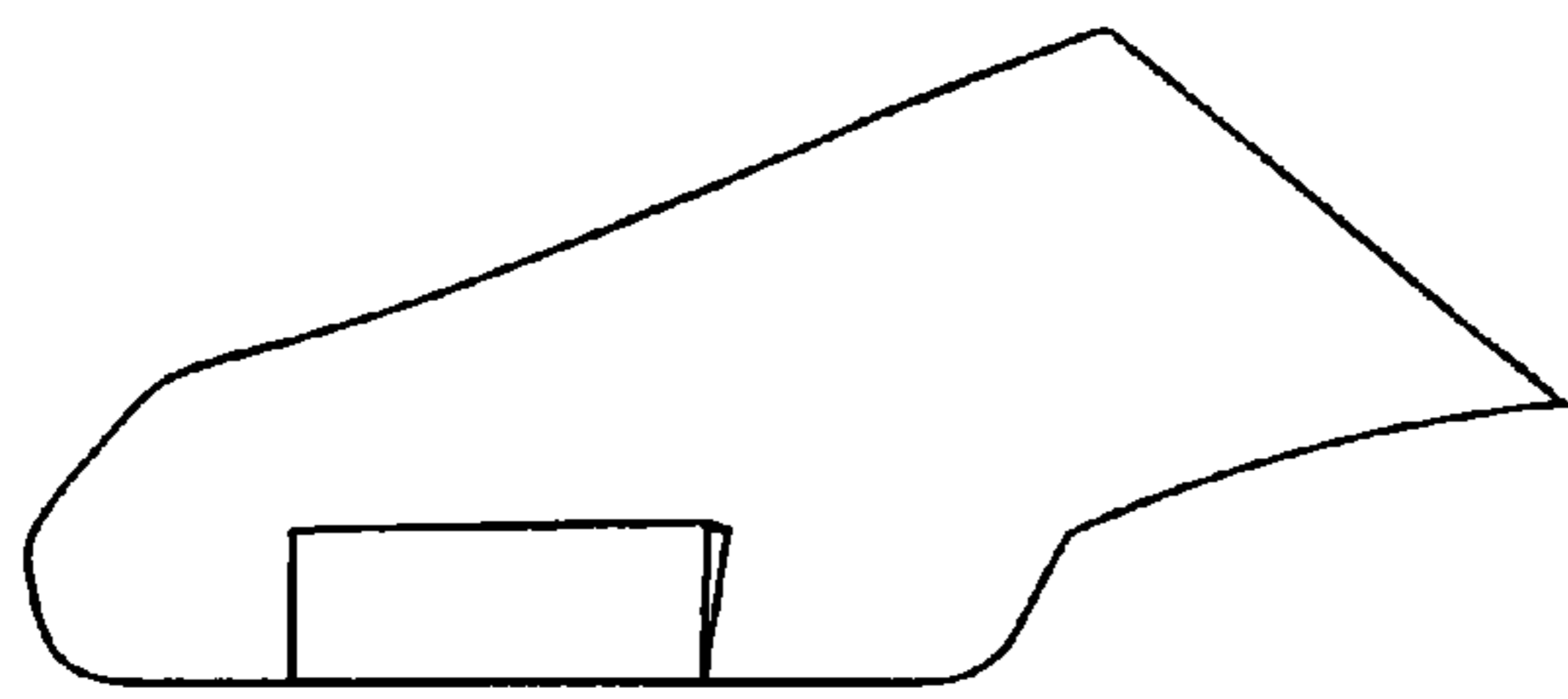


FIG.5

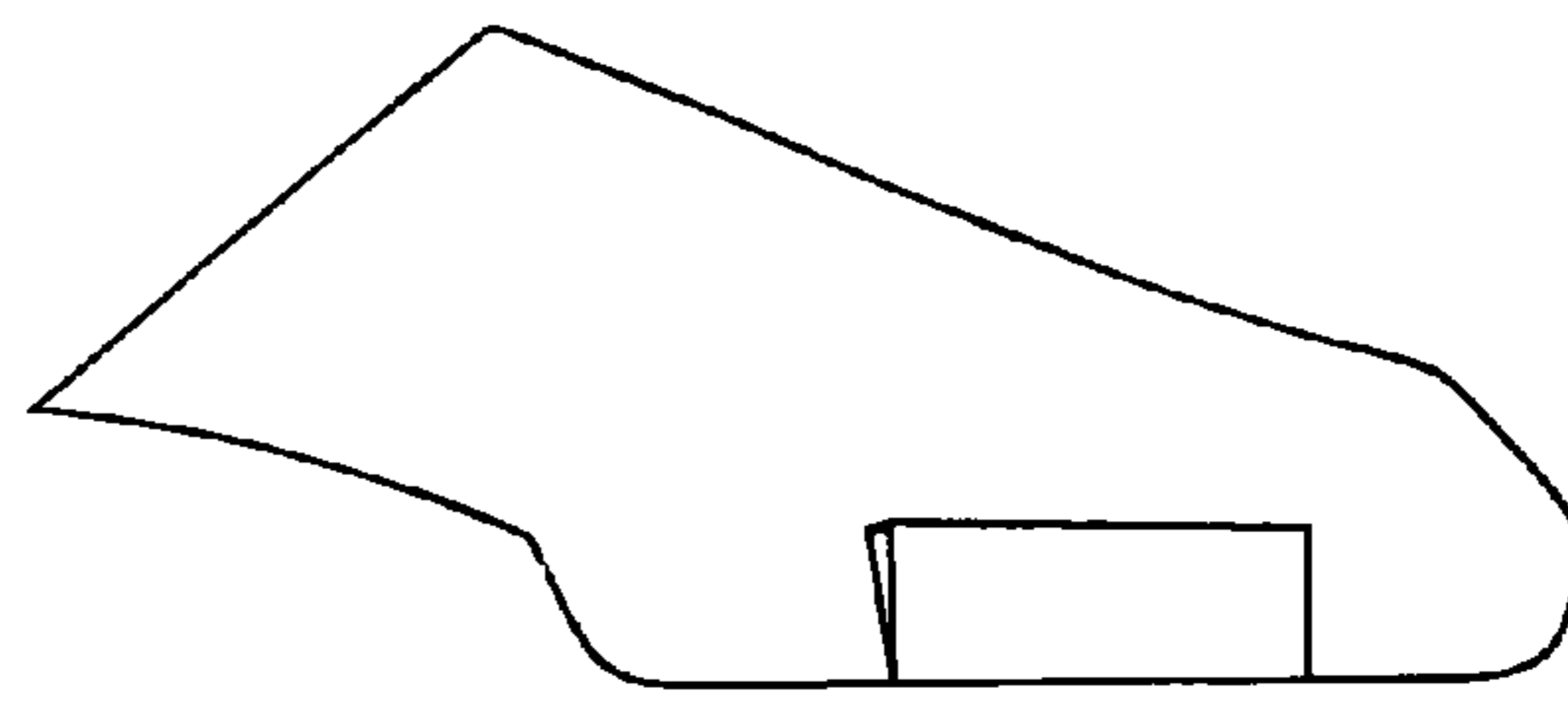


FIG.6

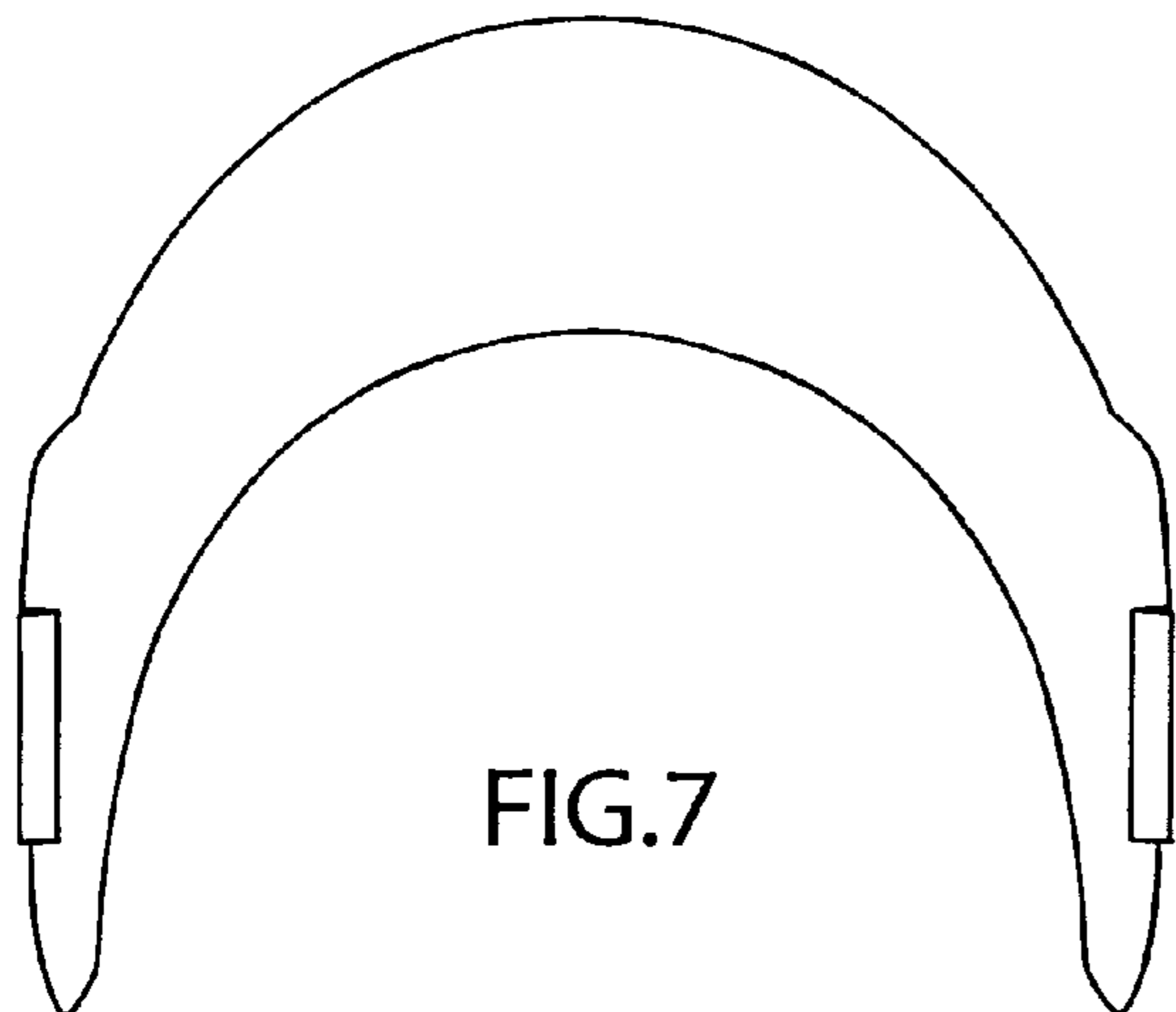


FIG.7

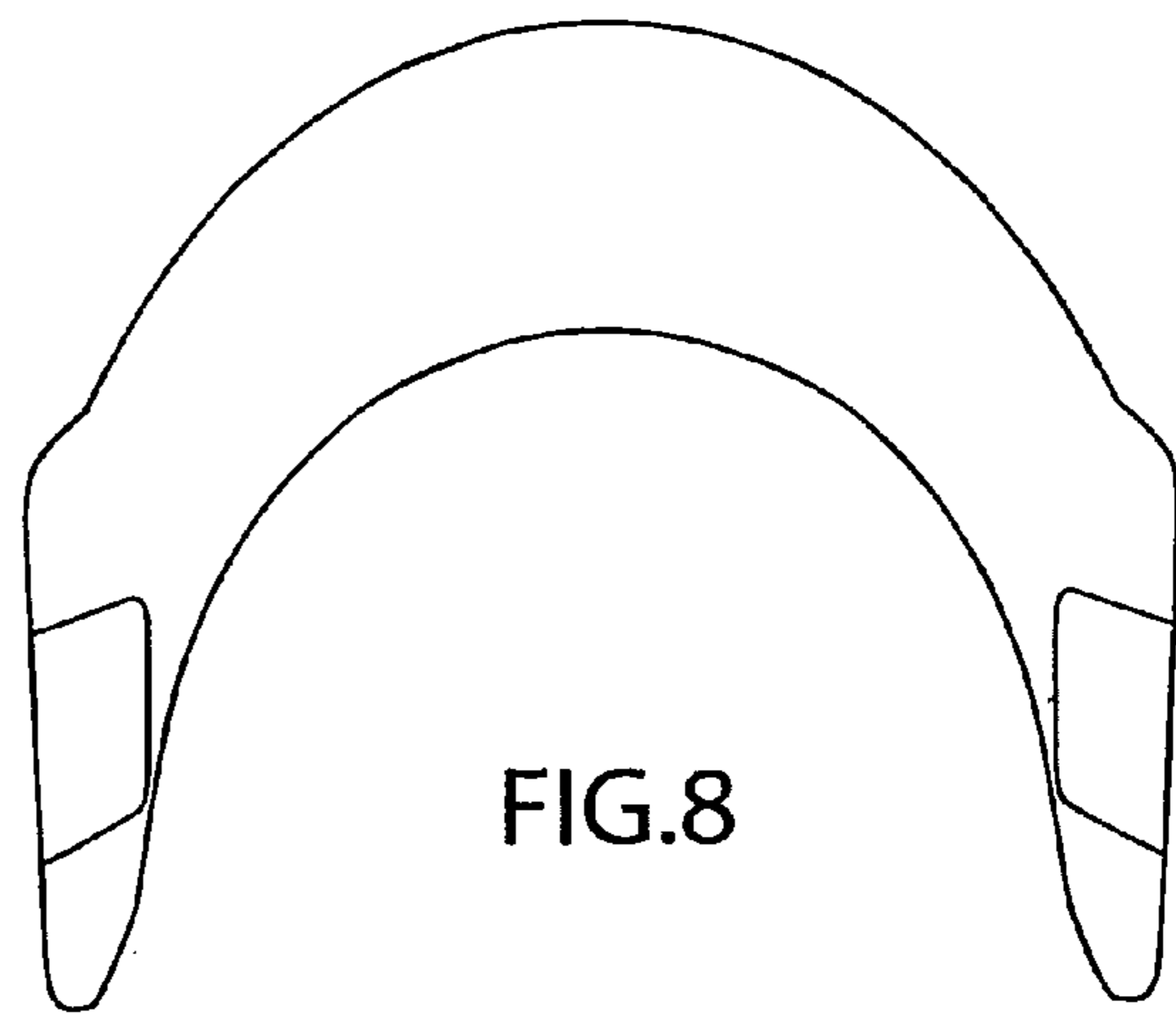


FIG.8

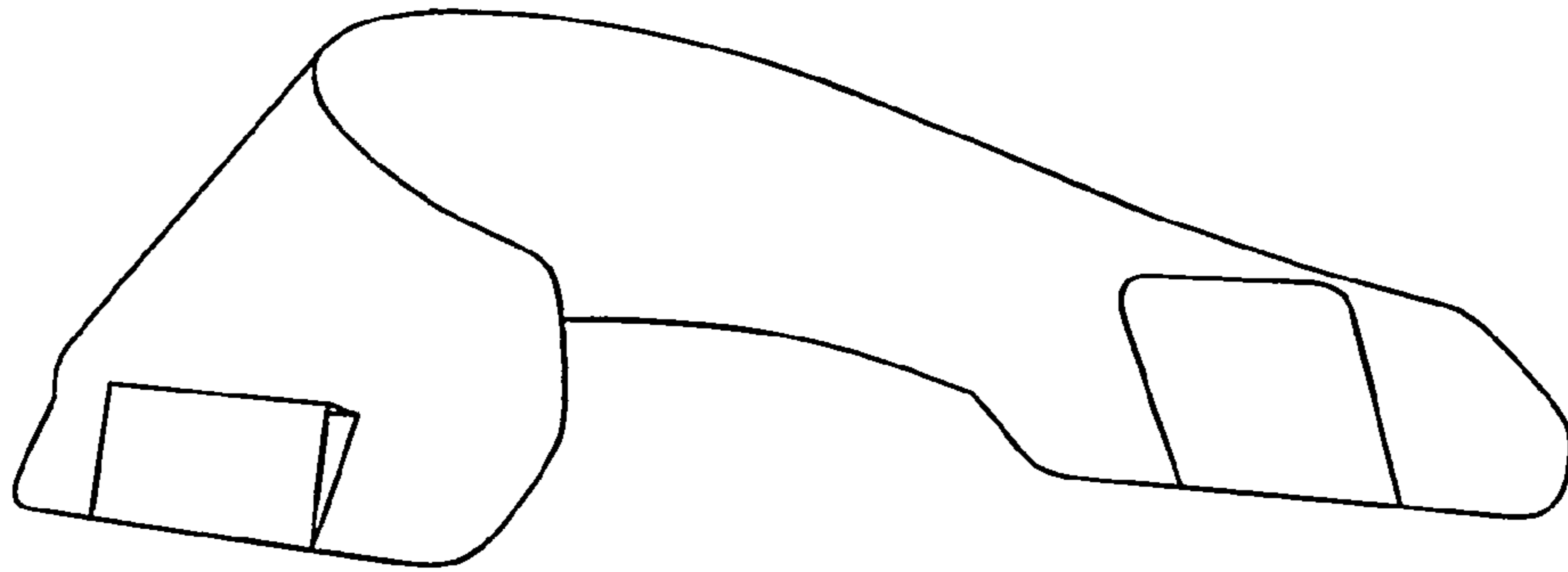


FIG. 9

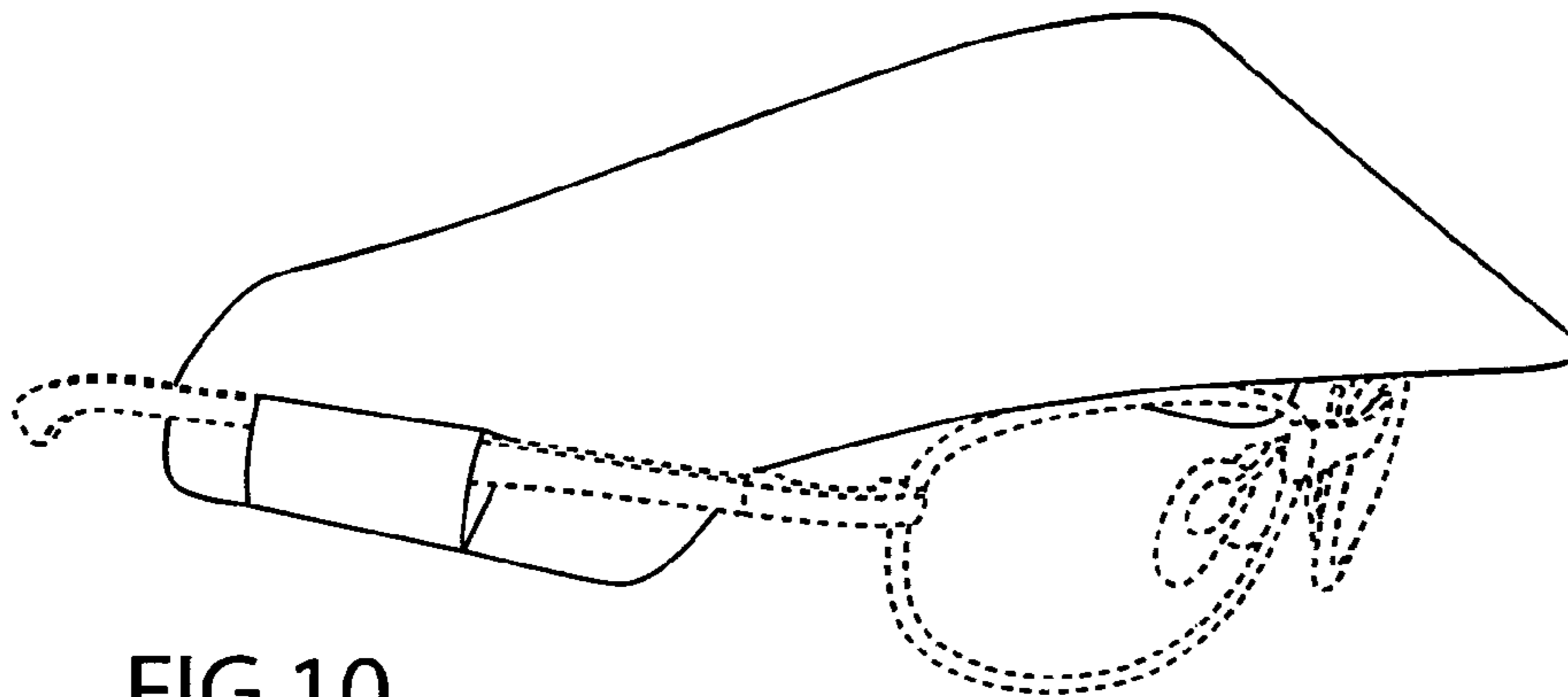


FIG. 10

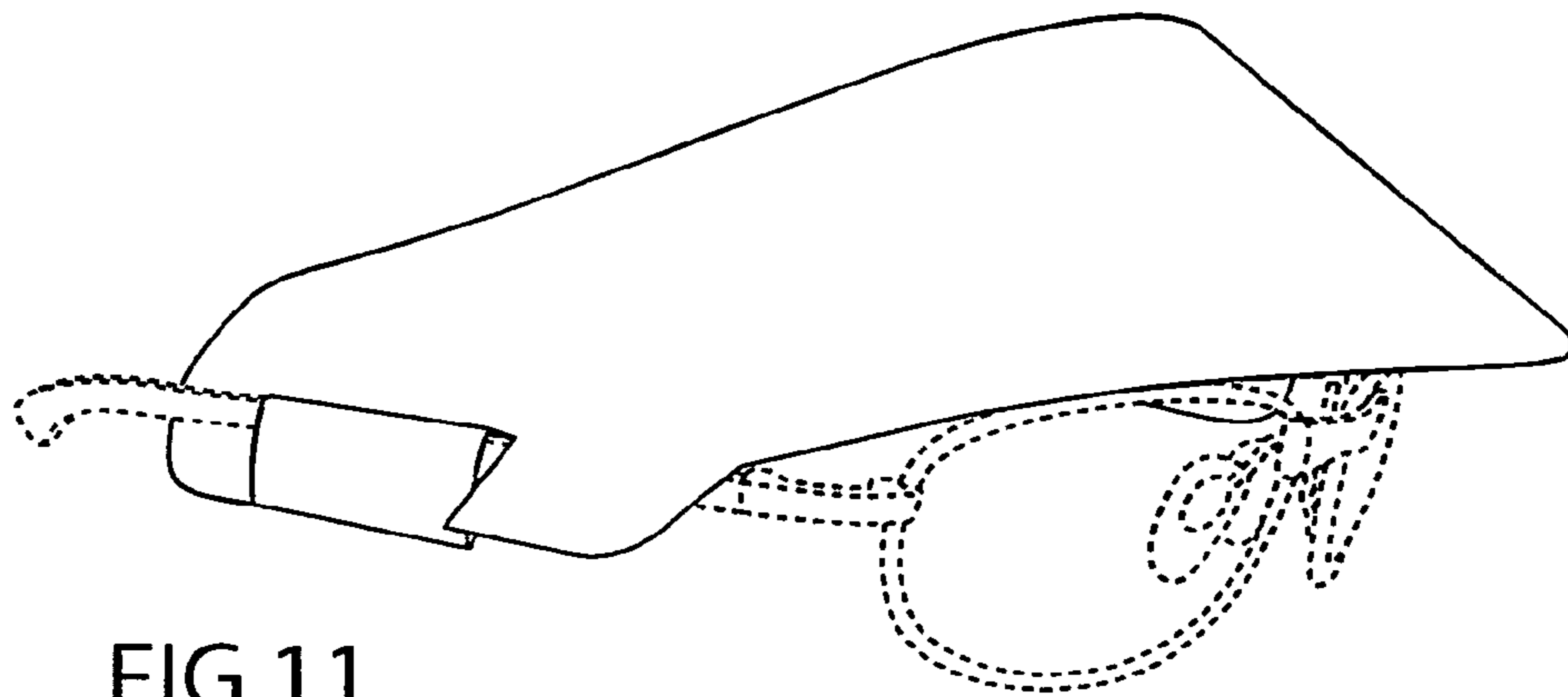


FIG. 11