

US00D725173S

(12) **United States Design Patent**  
**Chai**

(10) **Patent No.:** **US D725,173 S**  
(45) **Date of Patent:** **\*\* Mar. 24, 2015**

(54) **DIGITAL CAMERA**

(71) Applicant: **Samsung Electronics Co., Ltd.**,  
Suwon-si (KR)

(72) Inventor: **Ki-Byung Chai**, Seoul (KR)

(73) Assignee: **Samsung Electronics Co., Ltd.**,  
Suwon-Si (KR)

(\*\*) Term: **14 Years**

(21) Appl. No.: **29/459,939**

(22) Filed: **Jul. 5, 2013**

(30) **Foreign Application Priority Data**

Jan. 5, 2013 (KR) ..... 30-2013-0000755

(51) **LOC (10) Cl.** ..... **16-05**

(52) **U.S. Cl.**  
USPC ..... **D16/219**

(58) **Field of Classification Search**  
CPC ..... G03B 15/03; G03B 17/02; G03B 17/04;  
G03B 17/56; G03B 19/04; H04N 5/2251;  
H04N 5/2252; H04N 5/2253; H04N 5/2254;  
H04N 2101/00  
USPC ..... D16/200, 202-206, 208, 218, 219;  
348/373-376; 396/535, 539-541  
See application file for complete search history.

(56) **References Cited**

**U.S. PATENT DOCUMENTS**

D524,348 S \* 7/2006 Nagayama et al. .... D16/219  
D552,647 S \* 10/2007 Bai ..... D16/202

D601,602 S \* 10/2009 Jang ..... D16/202  
D684,203 S \* 6/2013 Uemachi ..... D16/202  
D689,535 S \* 9/2013 Nojima ..... D16/202  
8,538,255 B2 \* 9/2013 Kim ..... 396/535  
D694,302 S \* 11/2013 Lee et al. .... D16/202  
D694,303 S \* 11/2013 Ham et al. .... D16/202  
D696,327 S \* 12/2013 Jang et al. .... D16/202  
D712,947 S \* 9/2014 Chai ..... D16/202  
D712,948 S \* 9/2014 Chai ..... D16/202  
D712,949 S \* 9/2014 Kwon et al. .... D16/202  
D712,950 S \* 9/2014 Kwon et al. .... D16/202

\* cited by examiner

*Primary Examiner* — Adir Aronovich  
*Assistant Examiner* — Ramzi Almatrahi

(74) *Attorney, Agent, or Firm* — Staas & Halsey LLP

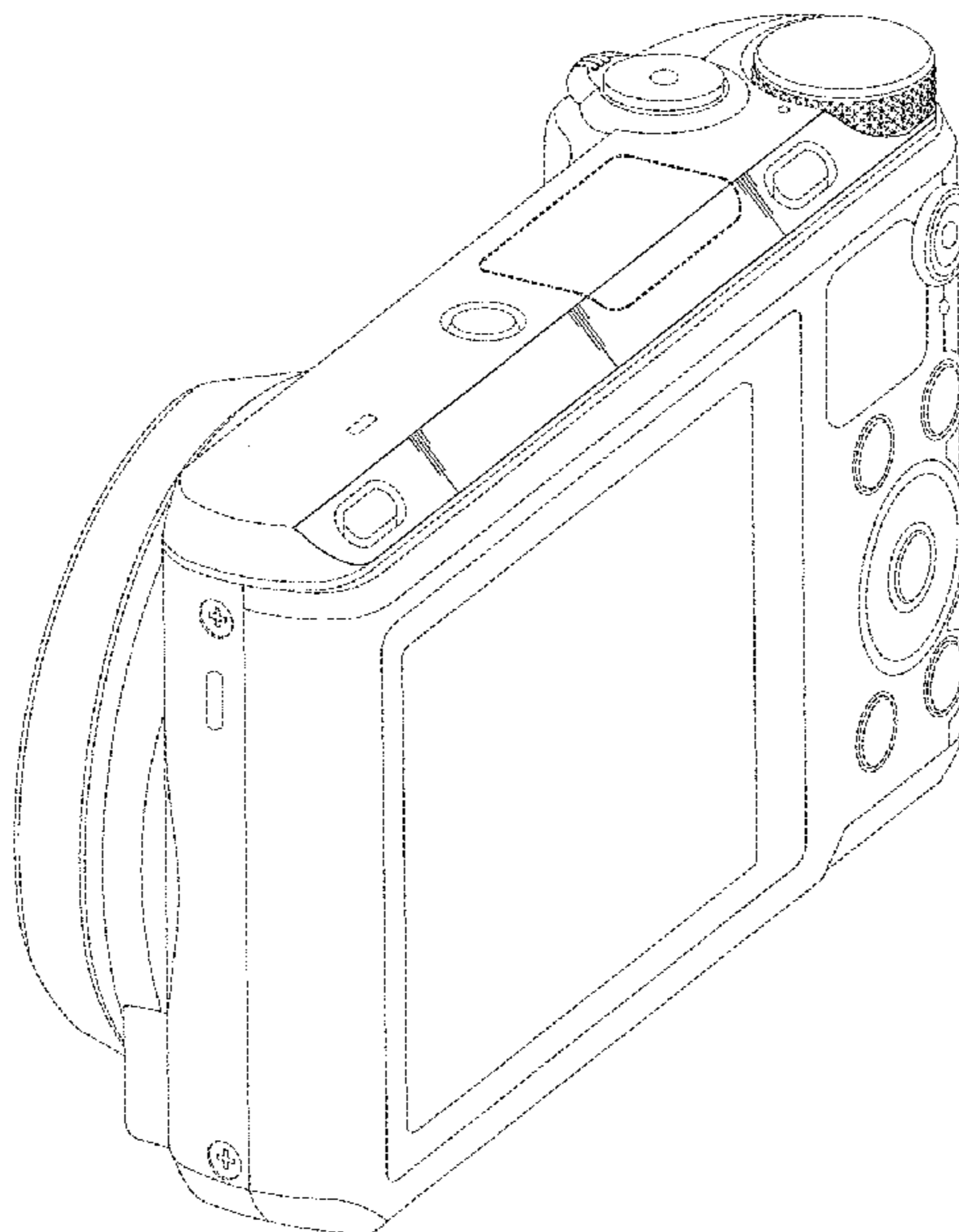
(57) **CLAIM**

The ornamental design for a digital camera, as shown and described.

**DESCRIPTION**

FIG. 1 is a top front perspective view of a digital camera;  
FIG. 2 is a front view thereof;  
FIG. 3 is a rear view thereof;  
FIG. 4 is a left-side view thereof;  
FIG. 5 is a right-side view thereof;  
FIG. 6 is a top view thereof;  
FIG. 7 is a bottom view thereof; and,  
FIG. 8 is a top rear perspective view thereof.  
The broken lines shown in the drawings are directed to environment and are for illustrative purpose only; the broken lines form no part of the claimed design.

**1 Claim, 4 Drawing Sheets**



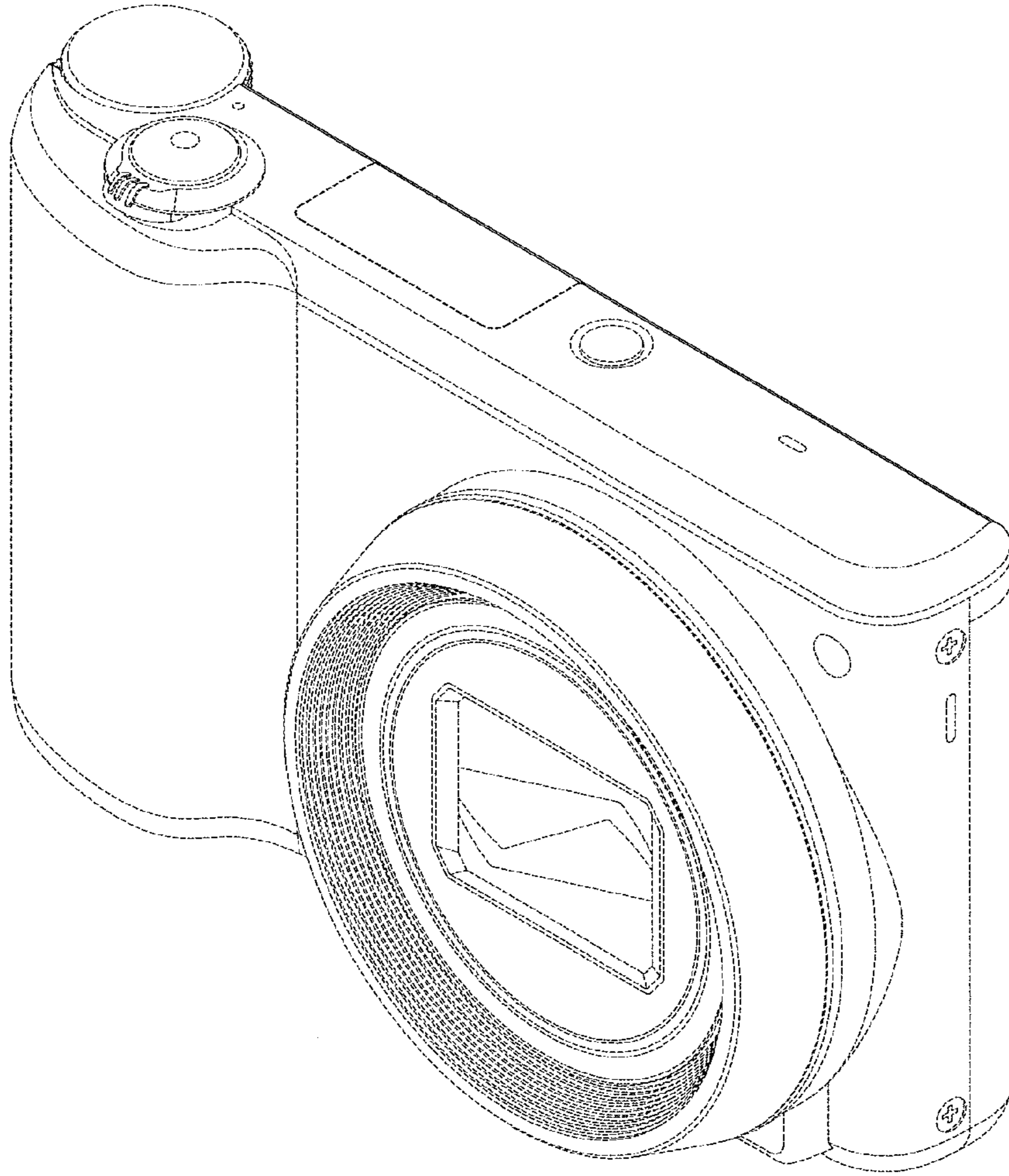


FIG. 1

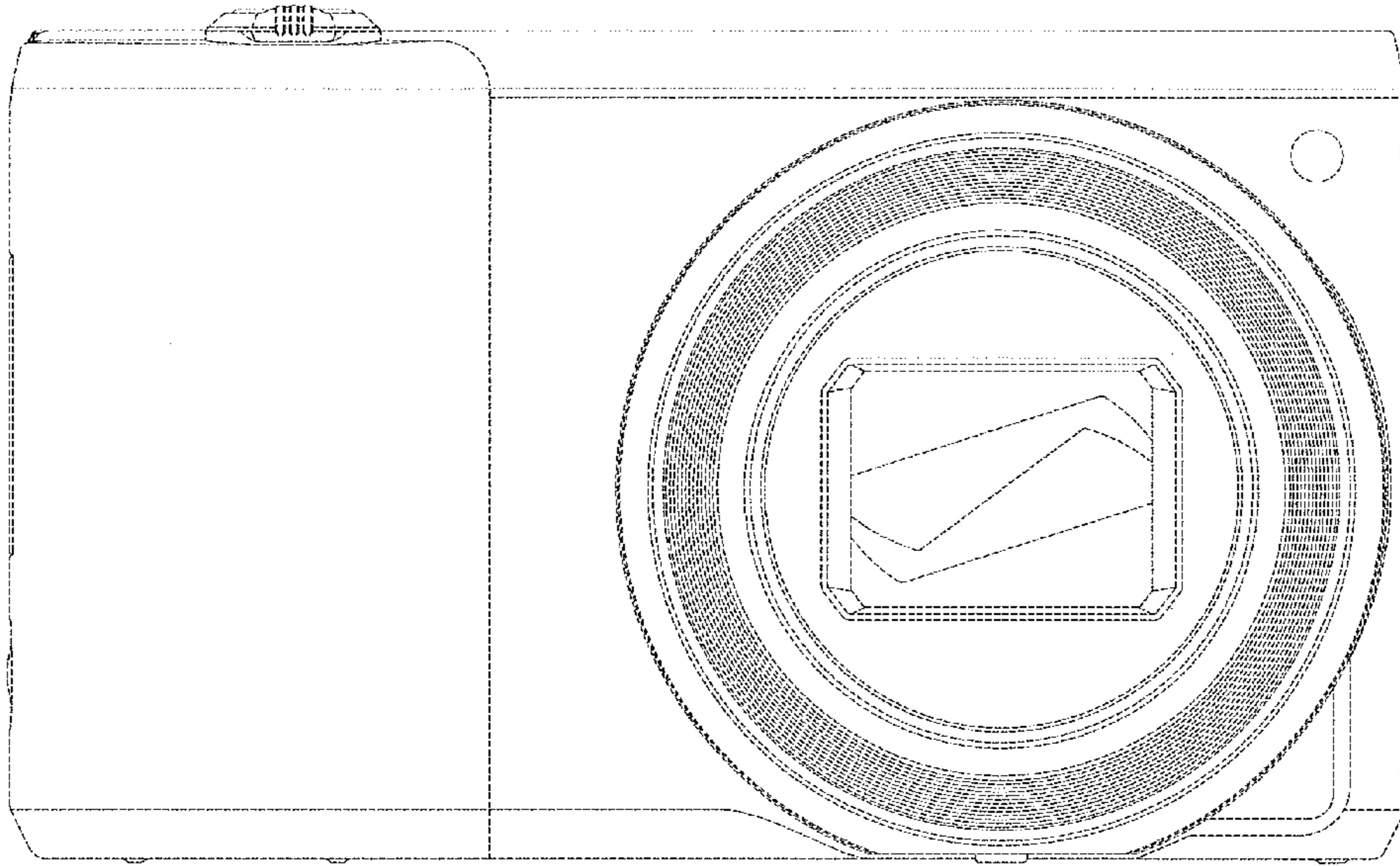


FIG.2

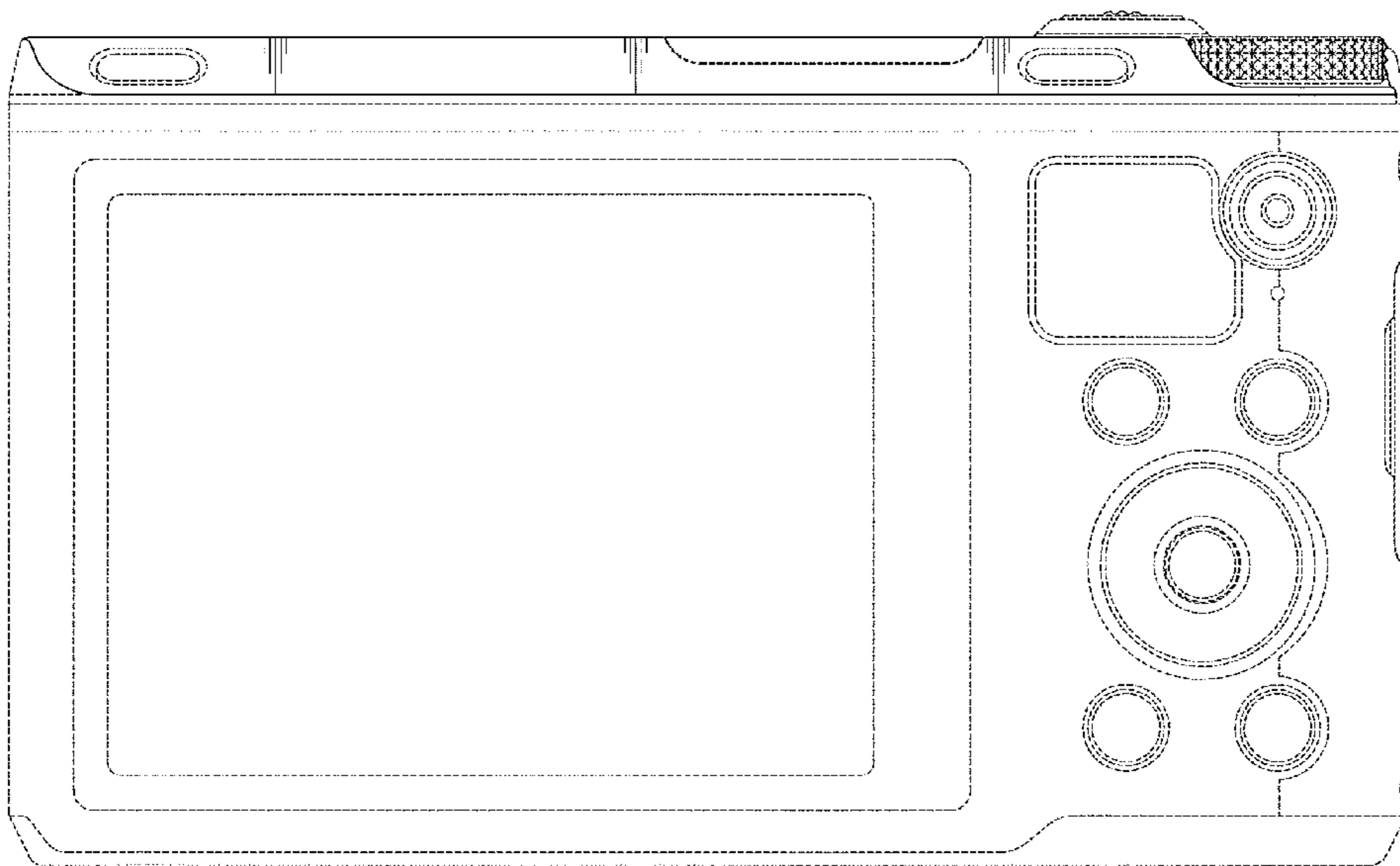


FIG.3

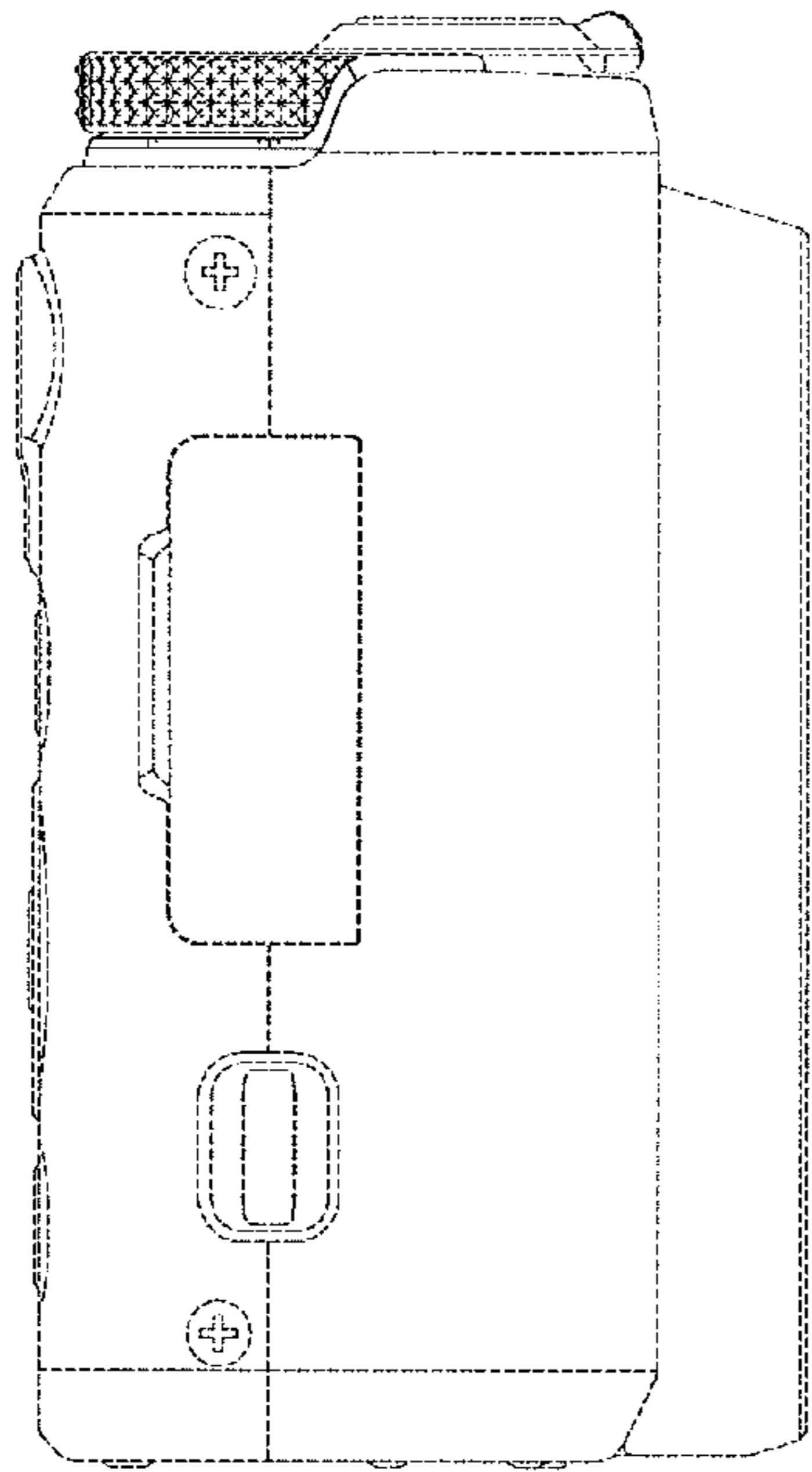


FIG.4

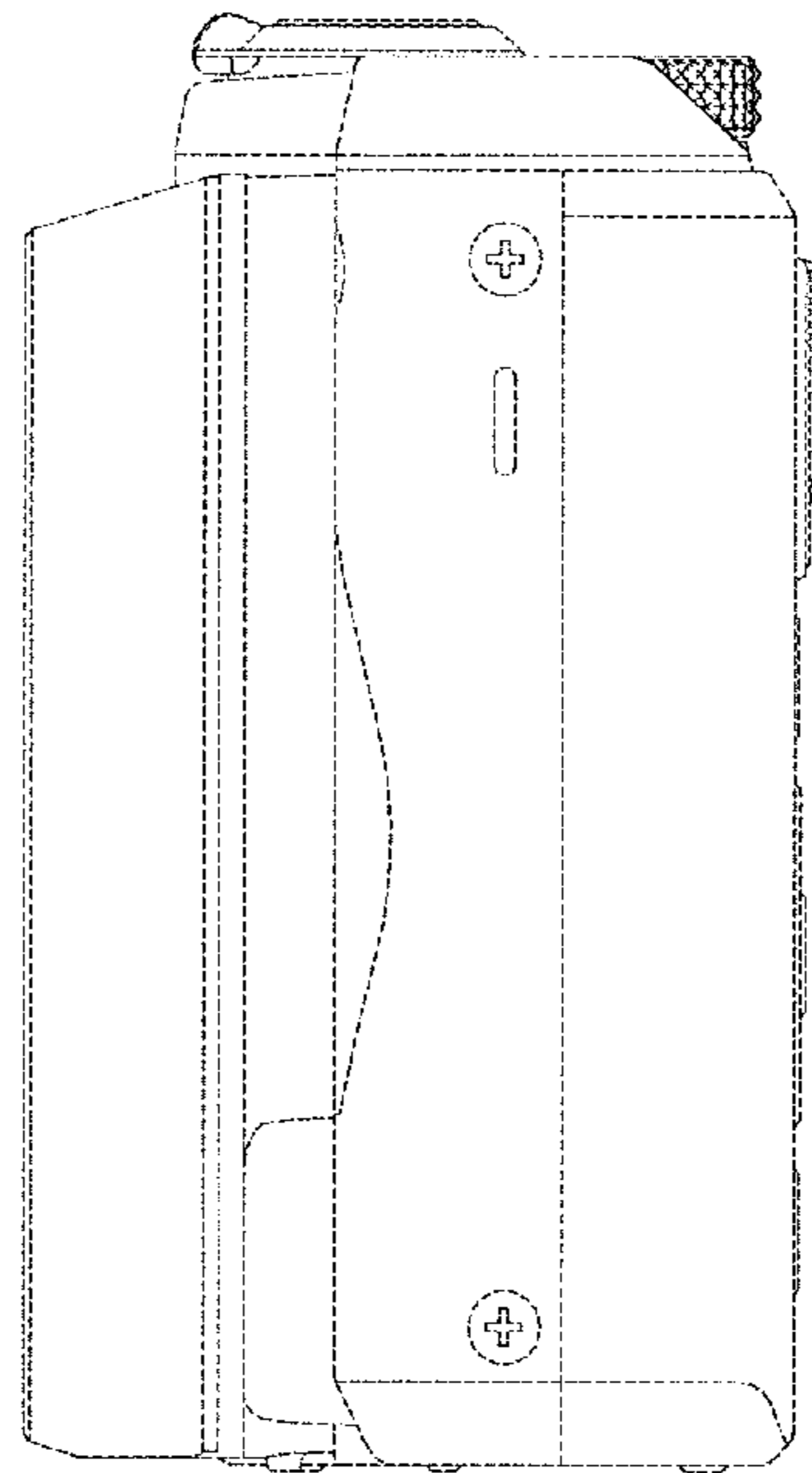


FIG.5

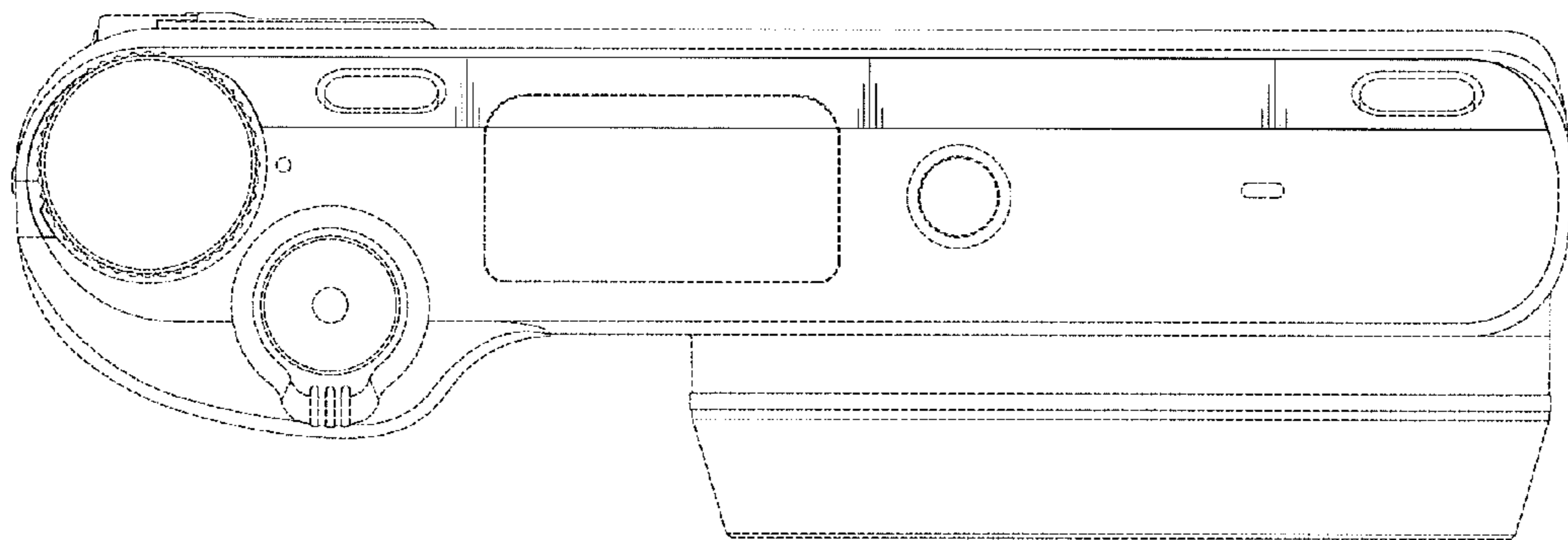


FIG.6

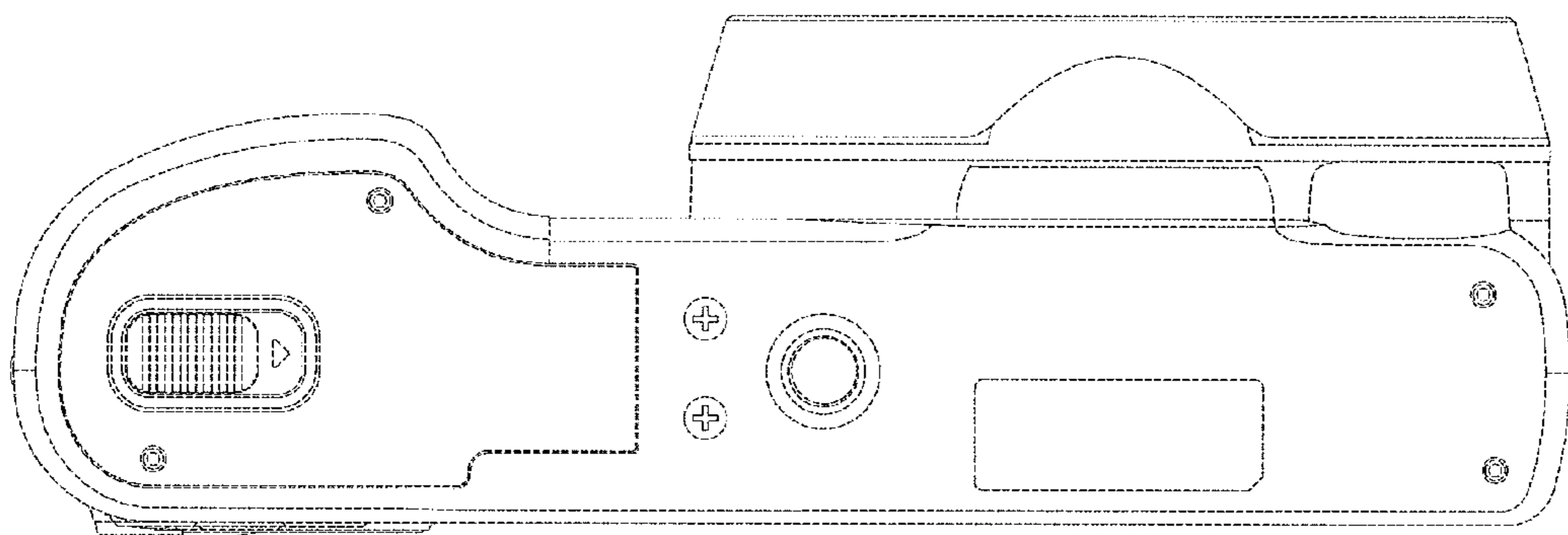


FIG.7

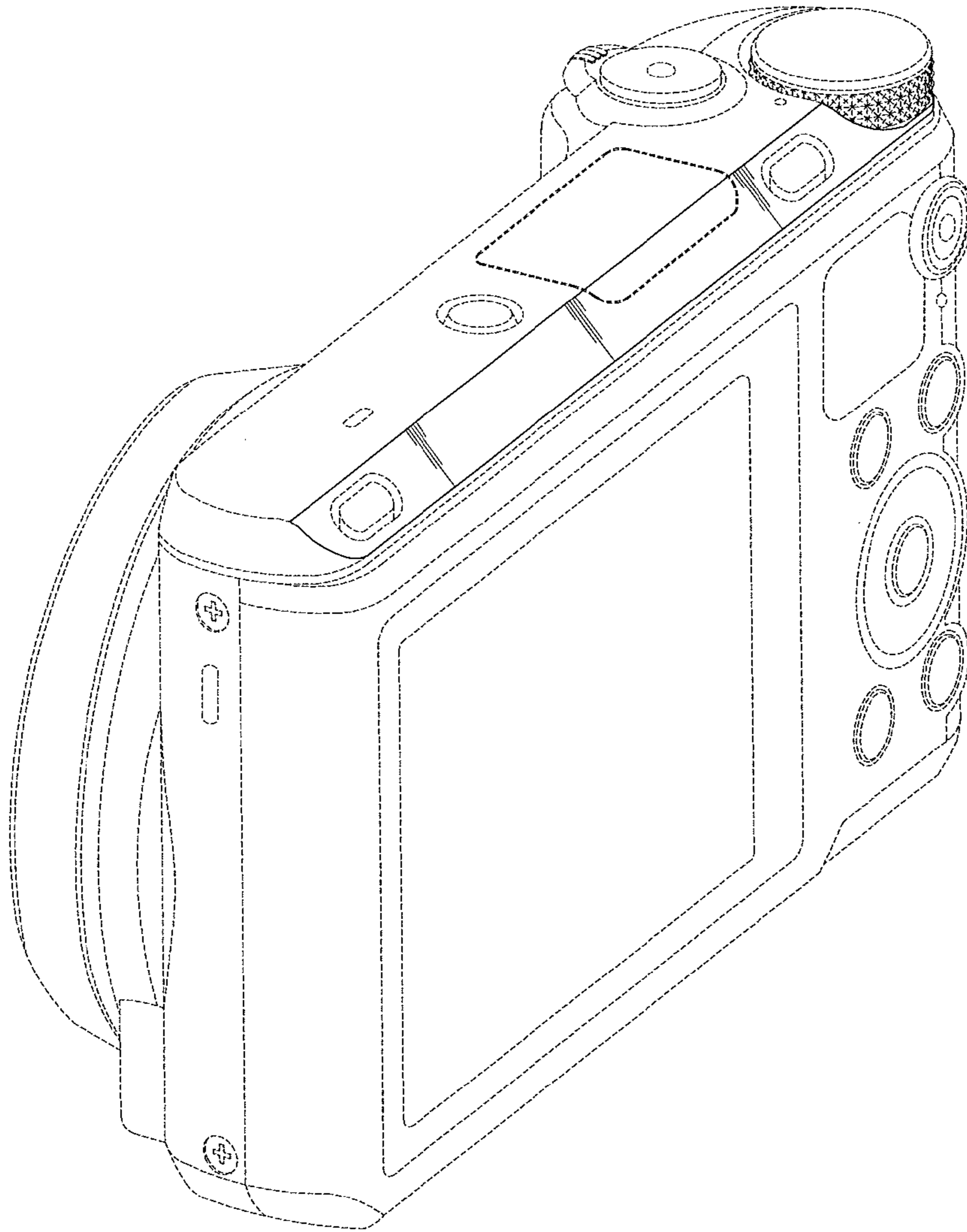


FIG.8