



US00D725172S

(12) **United States Design Patent**
Katori et al.

(10) **Patent No.:** **US D725,172 S**
(45) **Date of Patent:** **** Mar. 24, 2015**

- (54) **SURVEILLANCE CAMERA**
- (71) Applicant: **Panasonic Corporation**, Osaka (JP)
- (72) Inventors: **Takehito Katori**, Kyoto (JP); **Yasuki Yamakawa**, Kanagawa (JP)
- (73) Assignee: **Panasonic Intellectual Property Management Co., Ltd.**, Osaka (JP)
- (**) Term: **14 Years**
- (21) Appl. No.: **29/480,822**
- (22) Filed: **Jan. 30, 2014**
- (30) **Foreign Application Priority Data**
Aug. 5, 2013 (JP) 2013-017807
- (51) **LOC (10) Cl.** **16-01**
- (52) **U.S. Cl.**
USPC **D16/203**
- (58) **Field of Classification Search**
CPC G03B 1/00; G03B 7/00; G03B 13/02;
G03B 13/04; G03B 13/1963; H04N 1/00;
H04N 7/002; H04N 7/181
USPC D16/200, 202, 203, 218; 348/143,
348/373–376; 396/427, 535–541
See application file for complete search history.

- (56) **References Cited**
U.S. PATENT DOCUMENTS
D325,212 S * 4/1992 Elberbaum D16/219
D449,630 S 10/2001 Rak et al.
D452,696 S * 1/2002 Fenton D16/203
6,715,940 B2 * 4/2004 Top et al. 396/427
D494,992 S 8/2004 Seo

- D499,125 S * 11/2004 Adachi et al. D16/203
- 6,860,654 B1 * 3/2005 Ching-Wen 348/143
- D507,804 S 7/2005 Nagai
- D556,236 S * 11/2007 Kim D16/203
- D581,961 S * 12/2008 Shioya D16/203
- 7,661,890 B2 * 2/2010 Basho 396/427
- D612,883 S 3/2010 Yamakawa
- D633,120 S 2/2011 Ham
- D655,328 S 3/2012 Anneback et al.
- D688,720 S * 8/2013 Yilin D16/203
- D690,345 S * 9/2013 Seo et al. D16/203
- D692,938 S * 11/2013 Seo et al. D16/203
- 8,764,318 B2 * 7/2014 Wada et al. 396/427

* cited by examiner

Primary Examiner — Adir Aronovich
(74) *Attorney, Agent, or Firm* — Panasonic Patent Center

(57) **CLAIM**
We claim the ornamental design for a surveillance camera, as shown and described.

DESCRIPTION

FIG. 1 is a front perspective view of a surveillance camera of the present invention;
FIG. 2 is a front elevational view thereof;
FIG. 3 is a rear elevational view thereof;
FIG. 4 is a side elevational view thereof;
FIG. 5 is a side elevational view opposite of that shown in FIG. 4;
FIG. 6 is a top plan view thereof; and,
FIG. 7 is a bottom plan view thereof.

The broken lines throughout the drawings depict the portions of a surveillance camera in which the design is embodied and form no part of the claimed design. Additionally, the dash-dot broken lines in the drawings define the bounds of the claimed design form no part thereof.

1 Claim, 7 Drawing Sheets

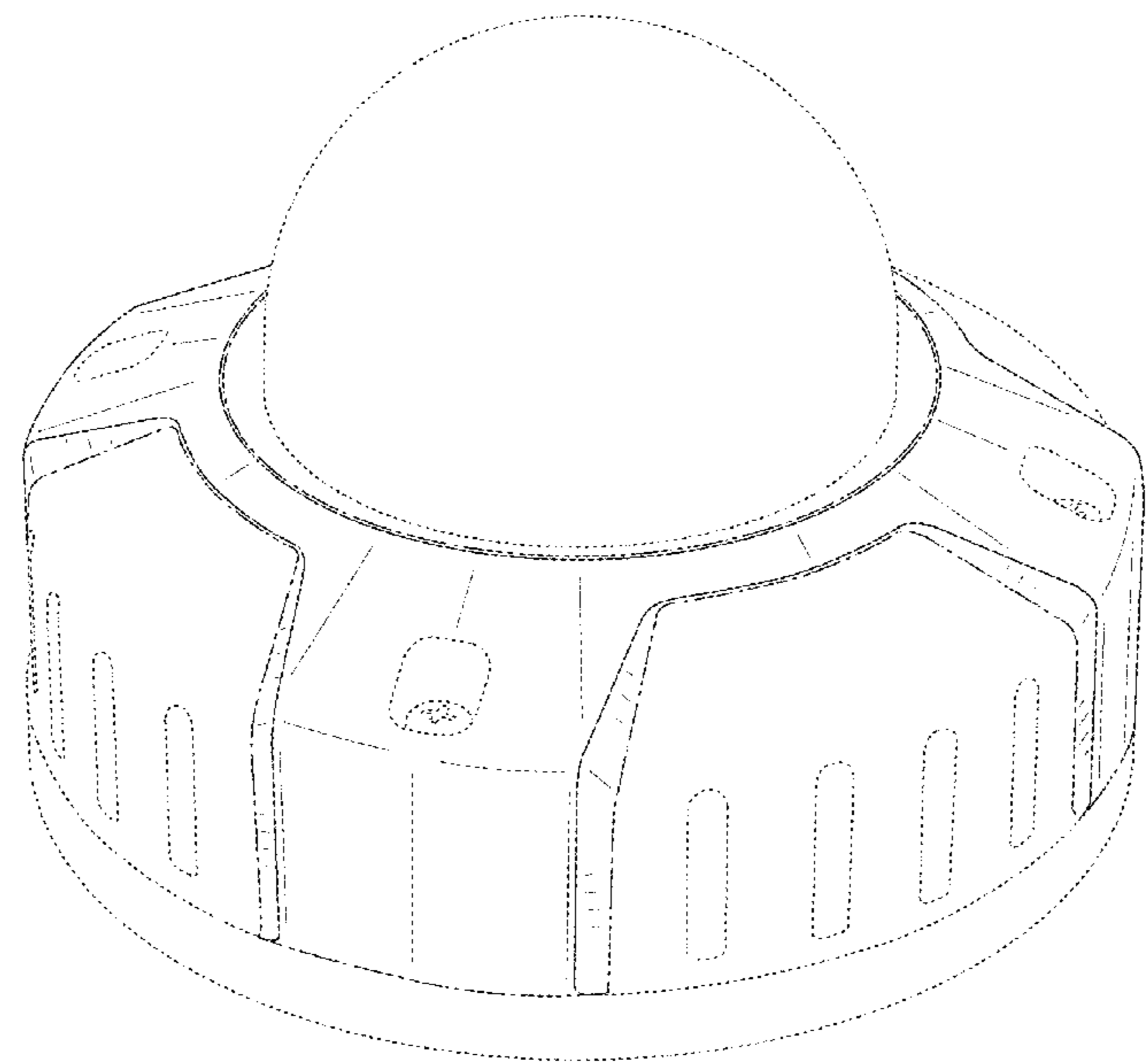


FIG. 1

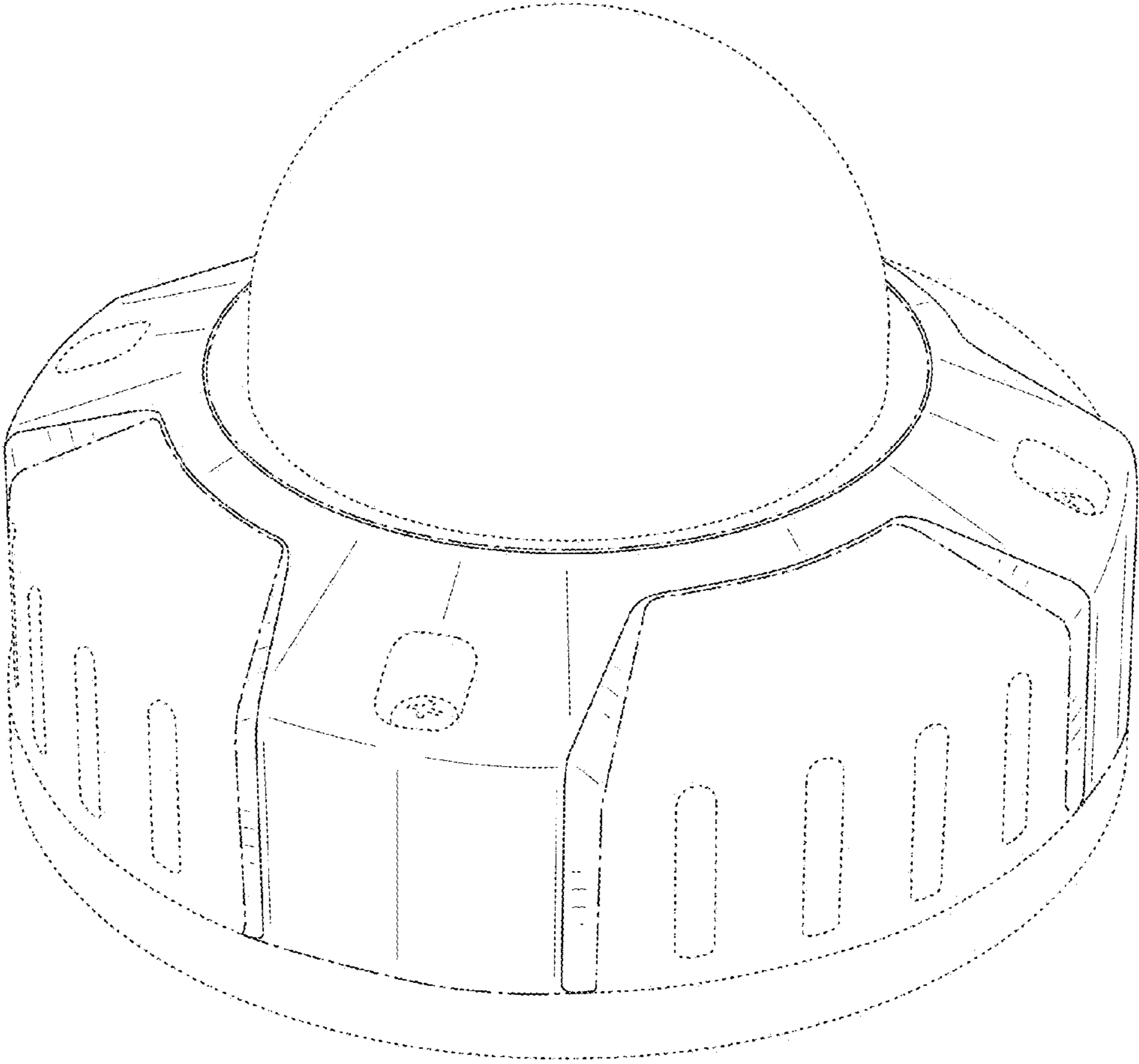


FIG. 2

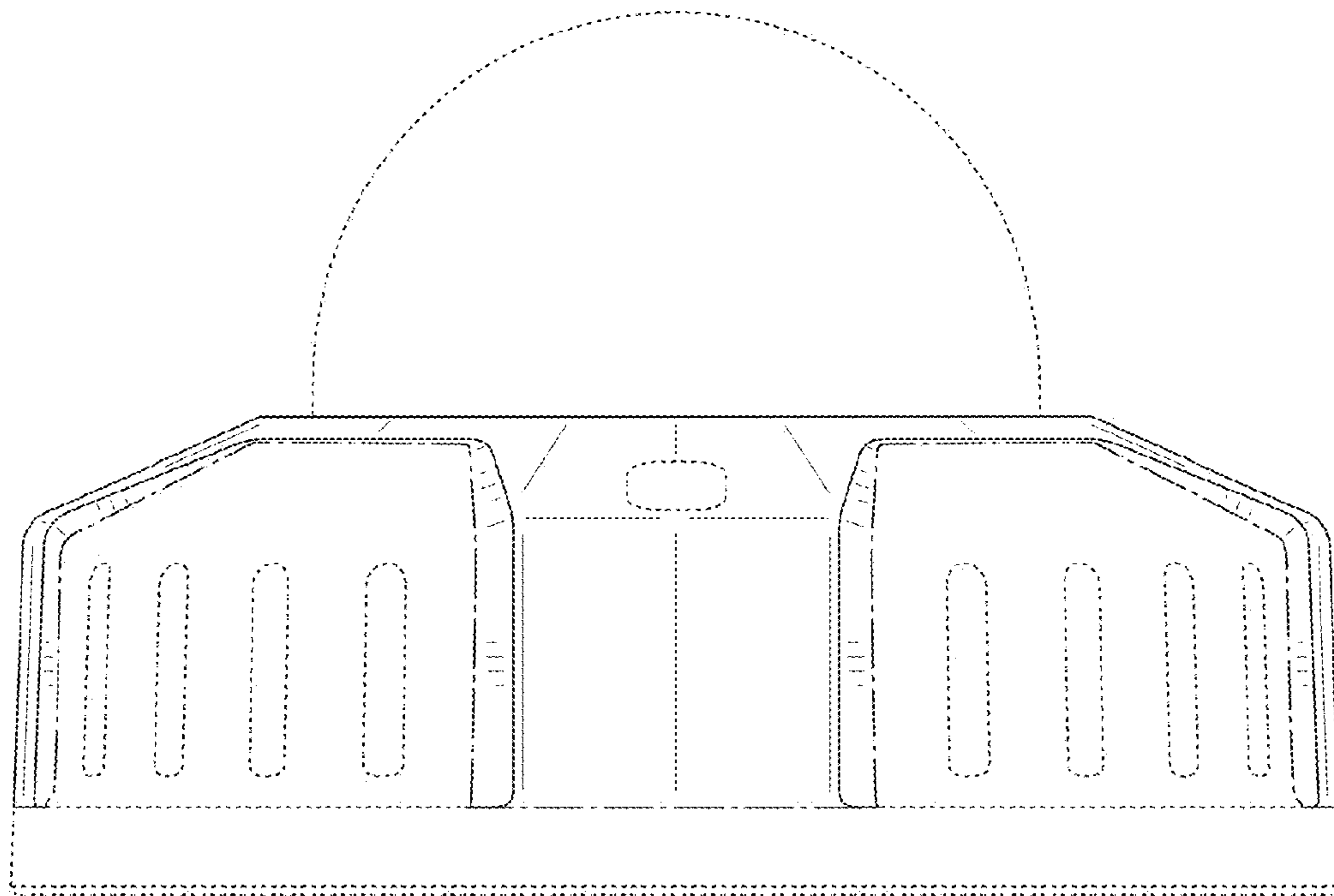


FIG. 3

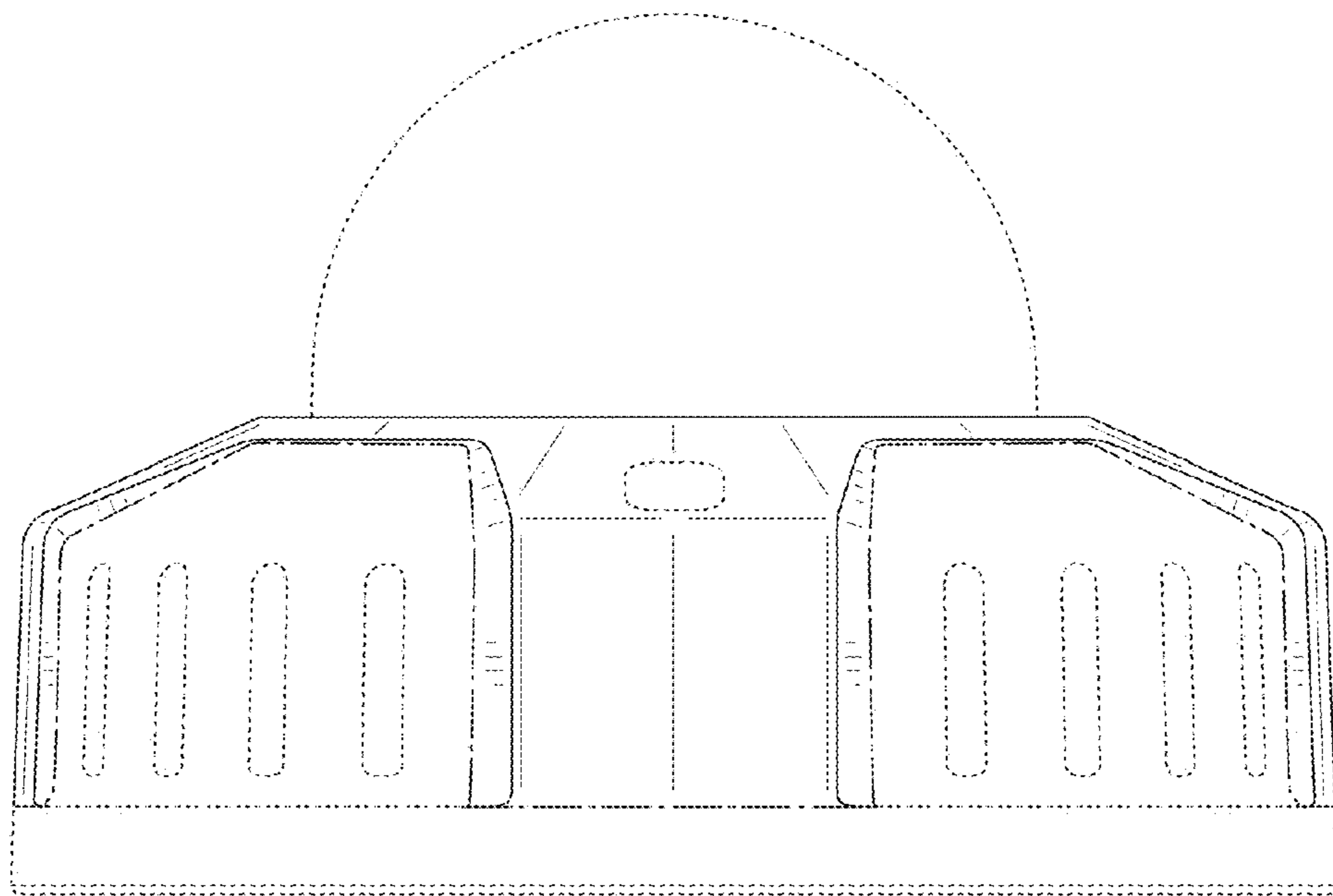


FIG. 4

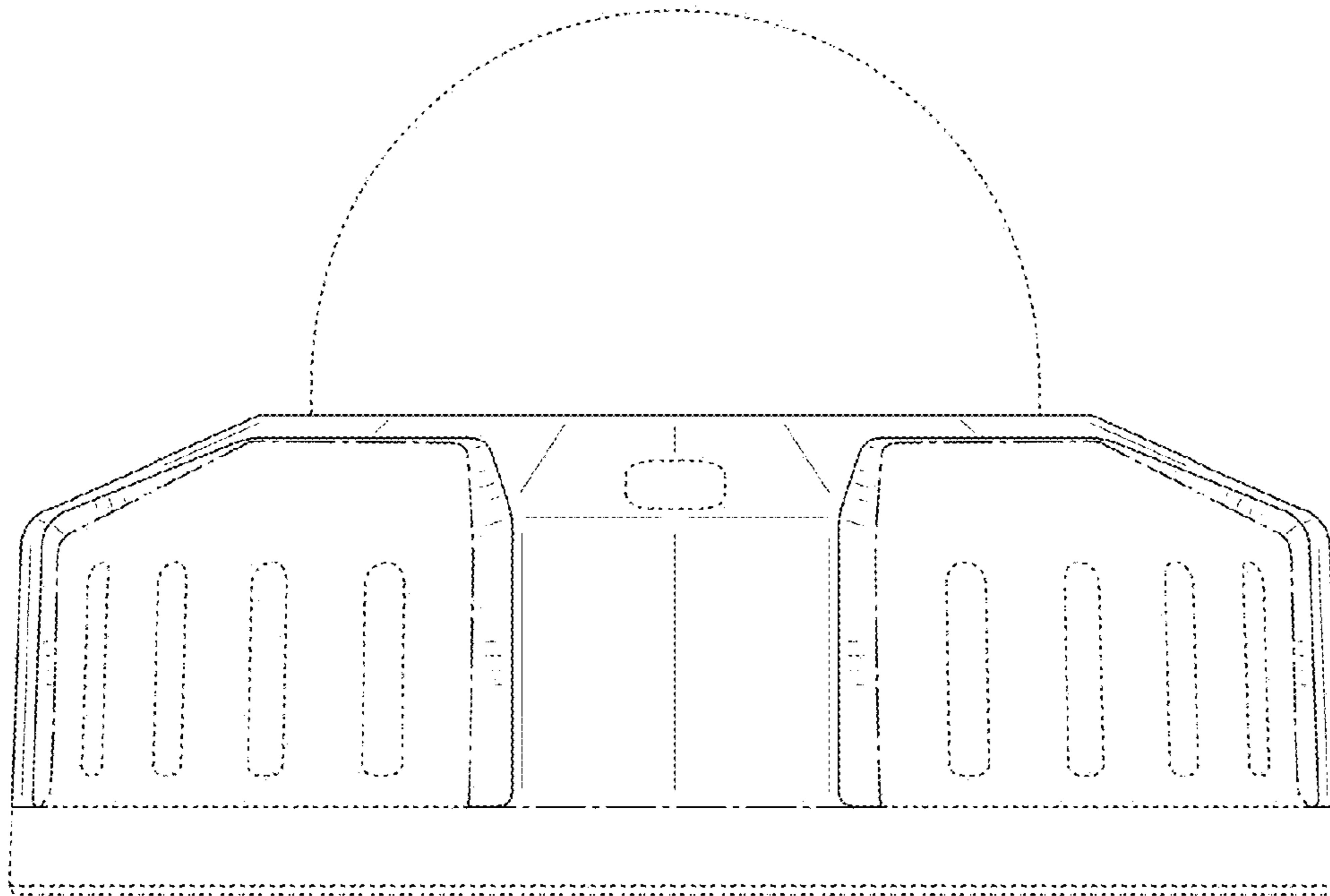


FIG. 5

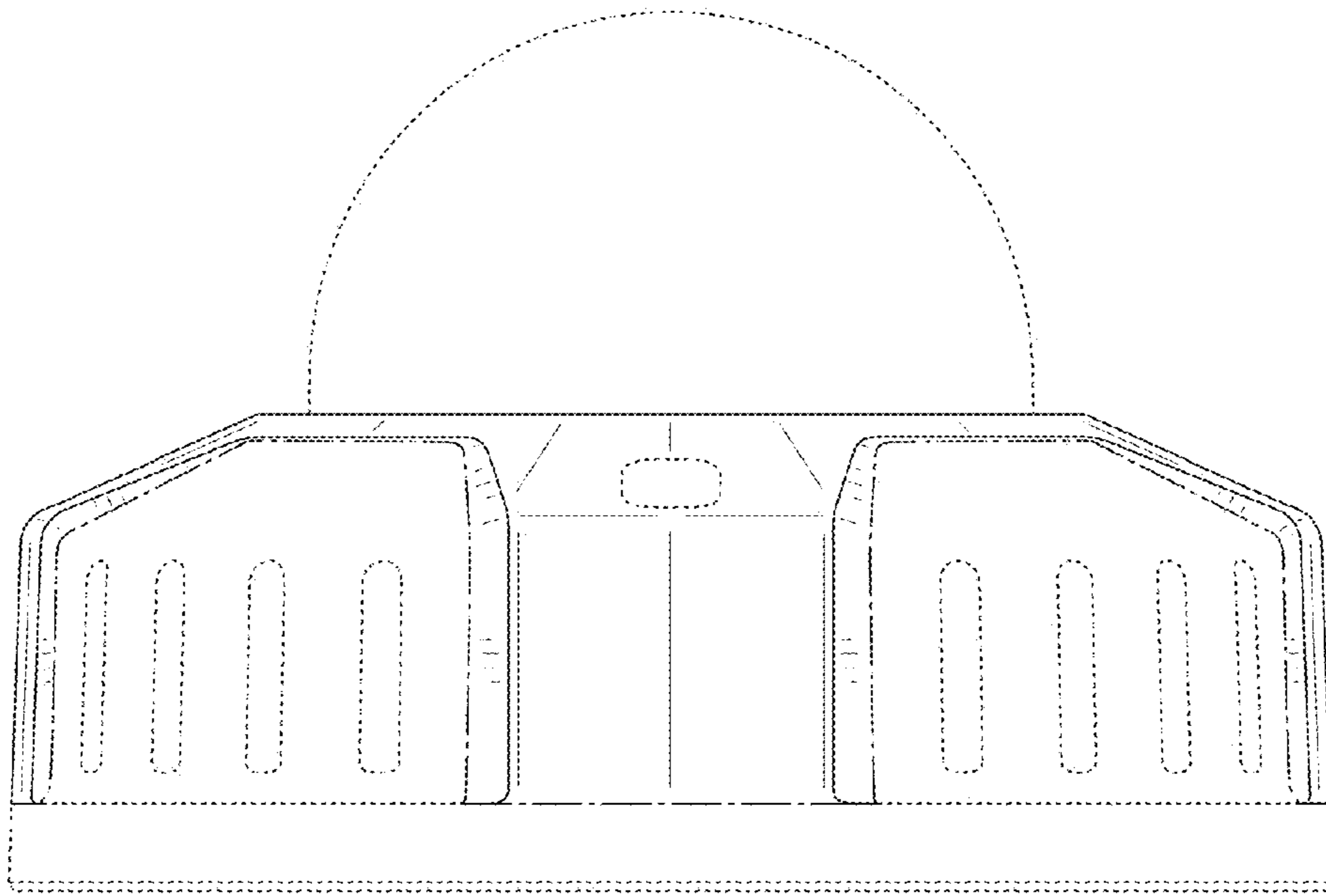


FIG. 6

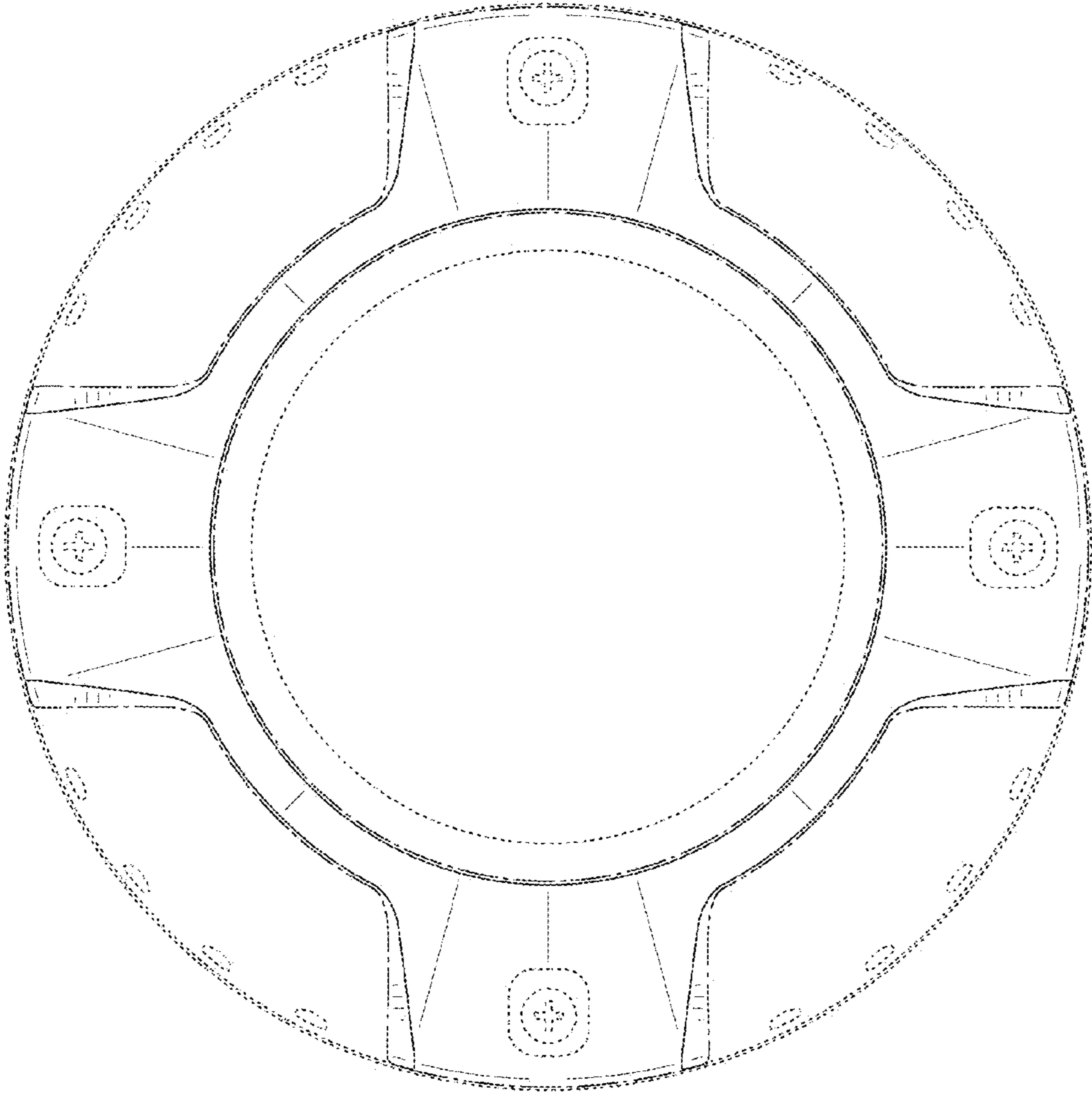


FIG. 7

