



US00D725171S

(12) **United States Design Patent**  
**Mita**

(10) **Patent No.:** **US D725,171 S**  
(45) **Date of Patent:** **\*\* Mar. 24, 2015**

(54) **WEB CAMERA**

(71) Applicant: **Masayoshi Mita**, Nagoya (JP)

(72) Inventor: **Masayoshi Mita**, Nagoya (JP)

(73) Assignee: **Brother Industries, Ltd.**, Nagoya (JP)

(\*\*) Term: **14 Years**

(21) Appl. No.: **29/471,982**

(22) Filed: **Nov. 7, 2013**

(30) **Foreign Application Priority Data**

May 10, 2013 (JP) ..... 2013-10290

(51) **LOC (10) Cl.** ..... **16-01**

(52) **U.S. Cl.**  
USPC ..... **D16/202**

(58) **Field of Classification Search**

CPC ..... G03B 17/00; G03B 17/02; H04N 5/2251;  
H04N 5/2252; H04N 5/2253; H04N 5/772

USPC ..... D16/202, 203, 206, 214, 218, 243;  
348/373-376; 396/419, 428, 35, 540,  
396/541

See application file for complete search history.

(56) **References Cited**

**U.S. PATENT DOCUMENTS**

D550,266 S \* 9/2007 Lau ..... D16/202  
D600,730 S \* 9/2009 Su ..... D16/202  
7,736,071 B2 \* 6/2010 Wahl et al. .... 396/419

D629,031 S \* 12/2010 Su et al. .... D16/202  
D631,079 S \* 1/2011 Tzeng ..... D16/202  
D664,579 S \* 7/2012 Tzeng ..... D16/242  
D682,332 S \* 5/2013 Wang et al. .... D16/202  
8,475,059 B2 \* 7/2013 Khamsepoor et al. .... 396/428  
D712,951 S \* 9/2014 Chou et al. .... D16/202

\* cited by examiner

*Primary Examiner* — Adir Aronovich

(74) *Attorney, Agent, or Firm* — Oliff PLC

(57) **CLAIM**

The ornamental design for a web camera, as shown and described.

**DESCRIPTION**

FIG. 1 is a top, front and left side perspective view of a web camera showing my new design;

FIG. 2 is a front elevational view thereof;

FIG. 3 is a top plan view thereof

FIG. 4 is a right side elevational view thereof;

FIG. 5 is a left side elevational view thereof;

FIG. 6 is a rear elevational view thereof;

FIG. 7 is a bottom plan view thereof;

FIG. 8 is a top, rear and left side perspective view thereof;

FIG. 9 is a bottom, front and right side perspective view thereof;

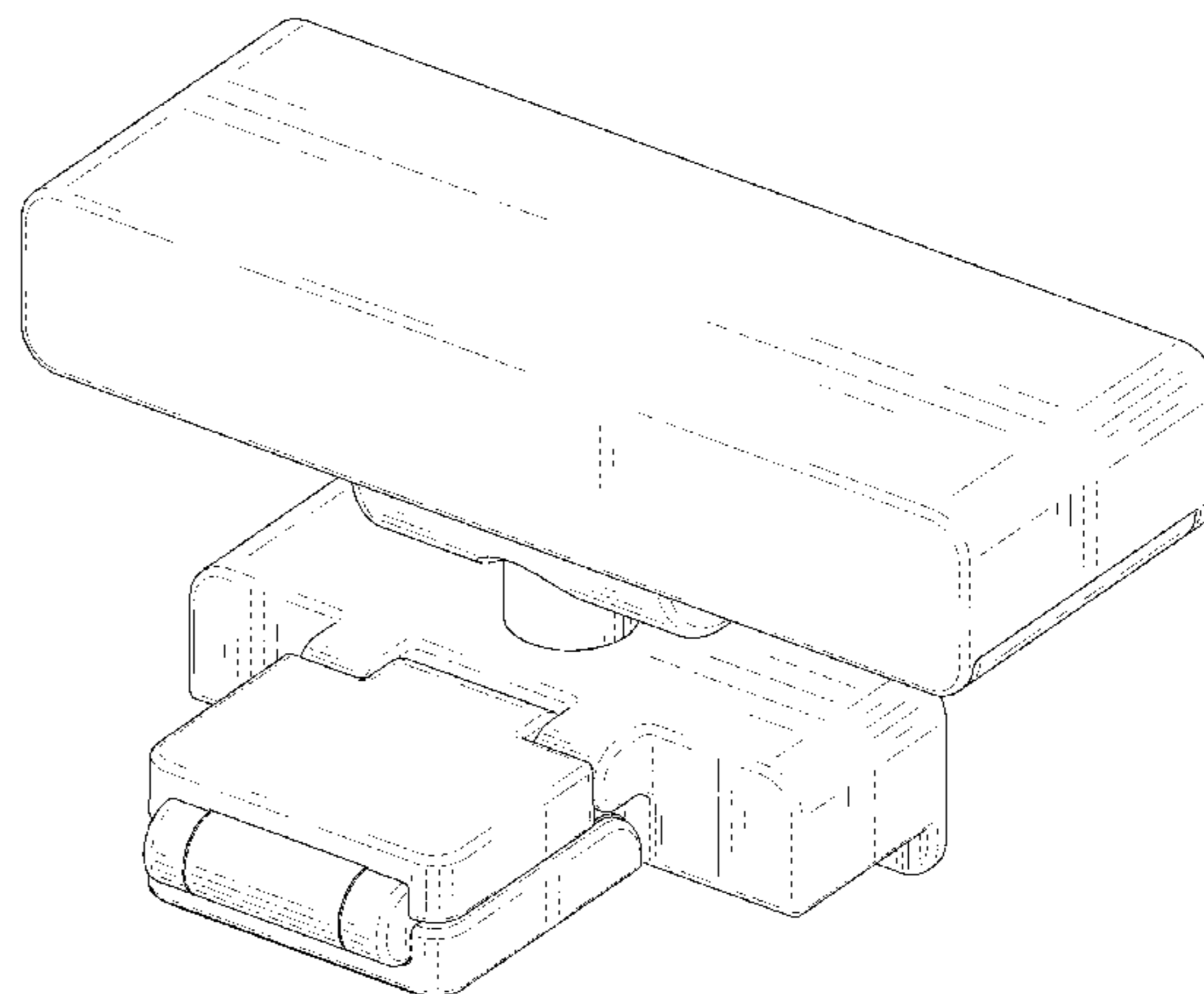
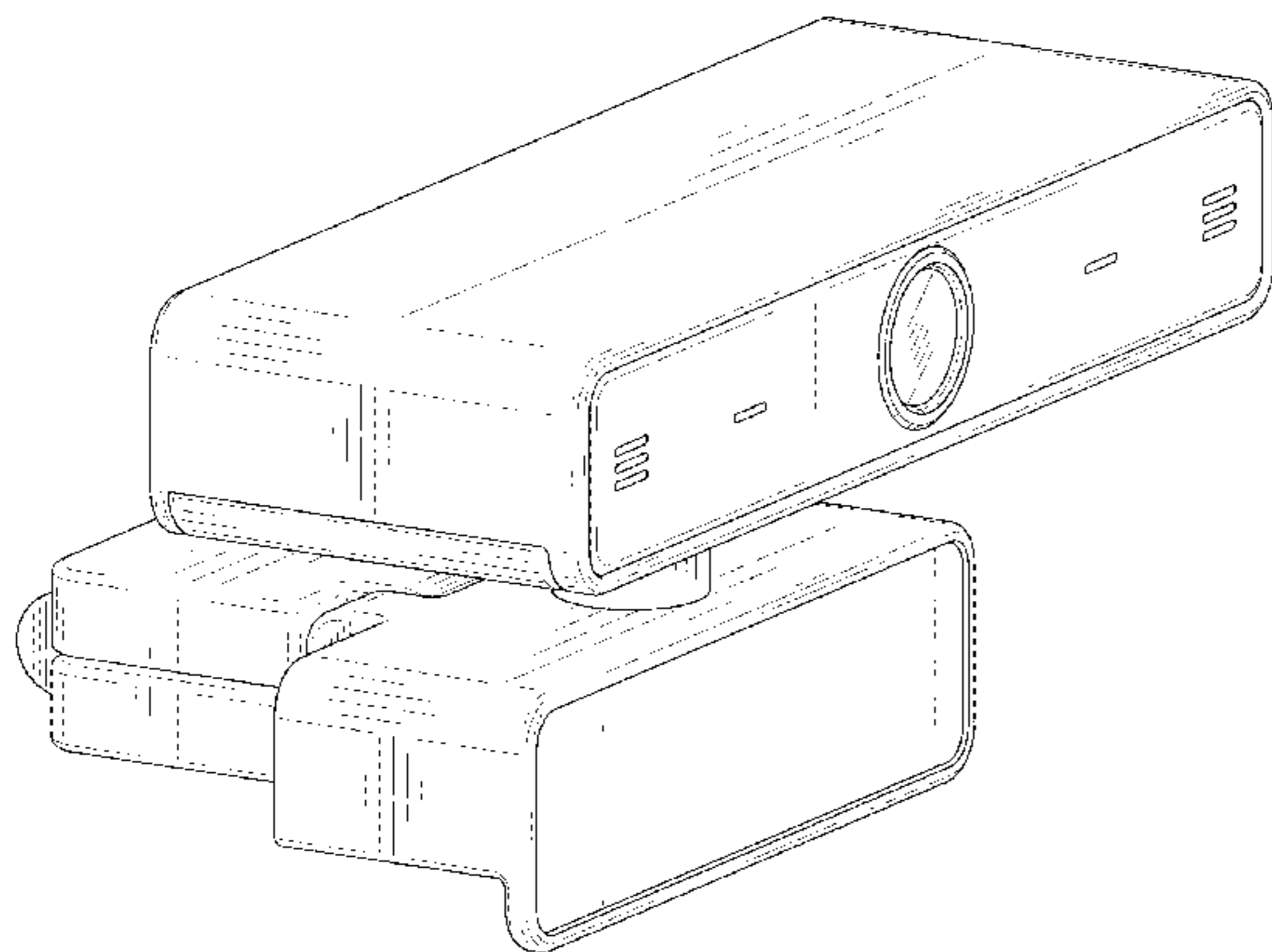
FIG. 10 is a top, front, right side perspective view thereof with a camera portion rotated in a first orientation;

FIG. 11 is top, front and left side perspective view thereof with the camera portion being in a second orientation; and,

FIG. 12 is a perspective view thereof with a base portion in an alternative configuration.

The broken lines depict environmental subject matter only and form no part of the claimed design.

**1 Claim, 11 Drawing Sheets**



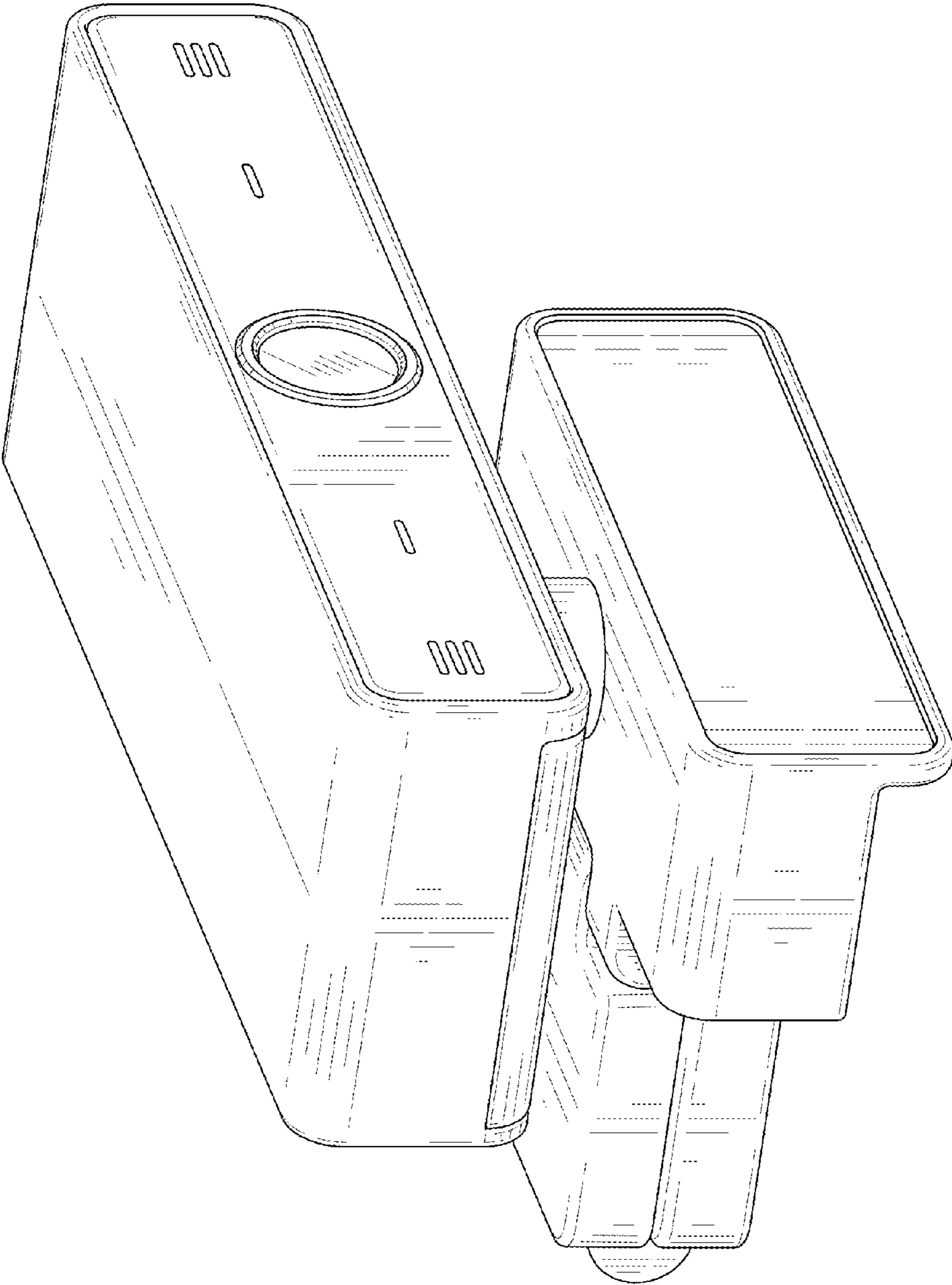


FIG. 1

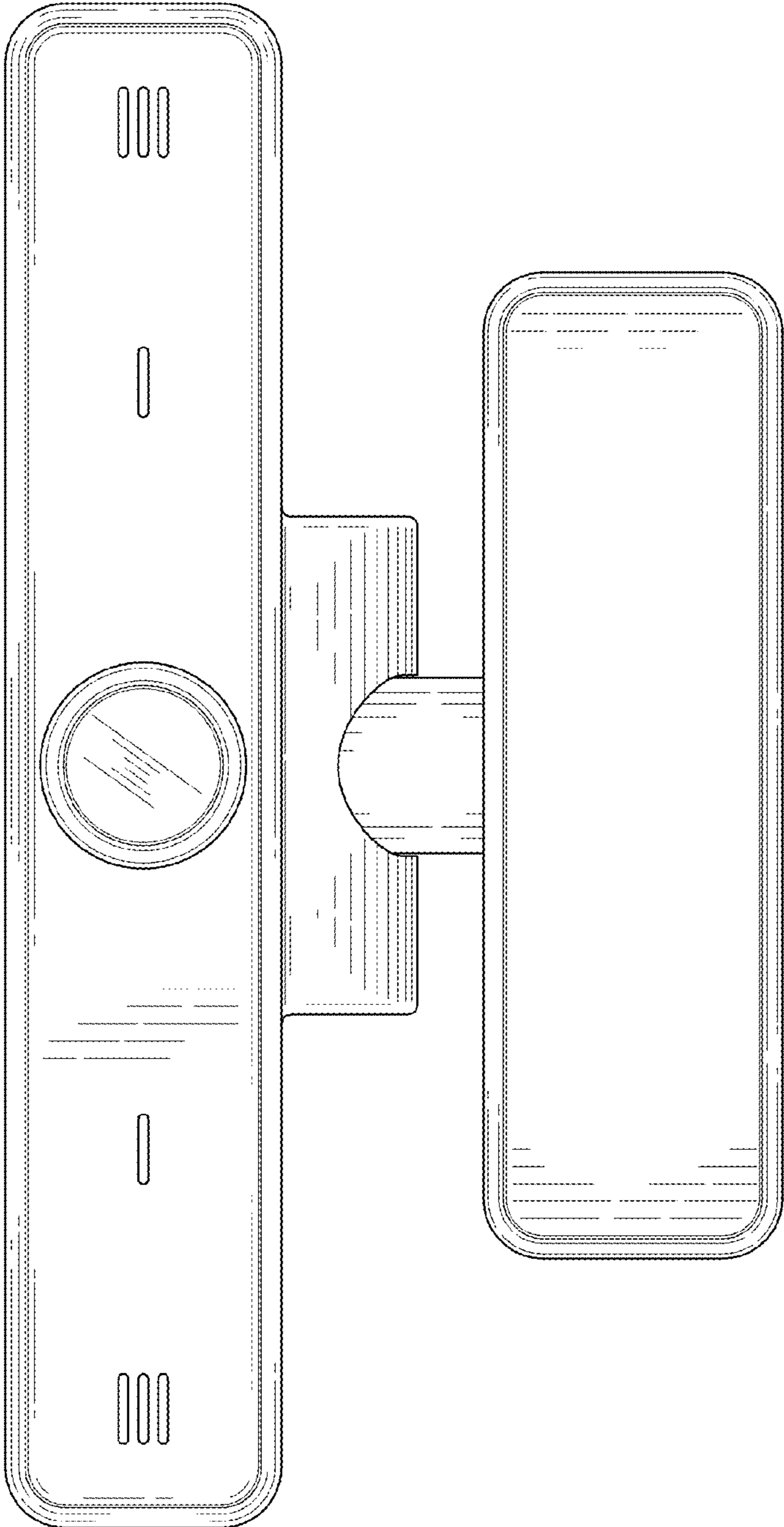


FIG. 2

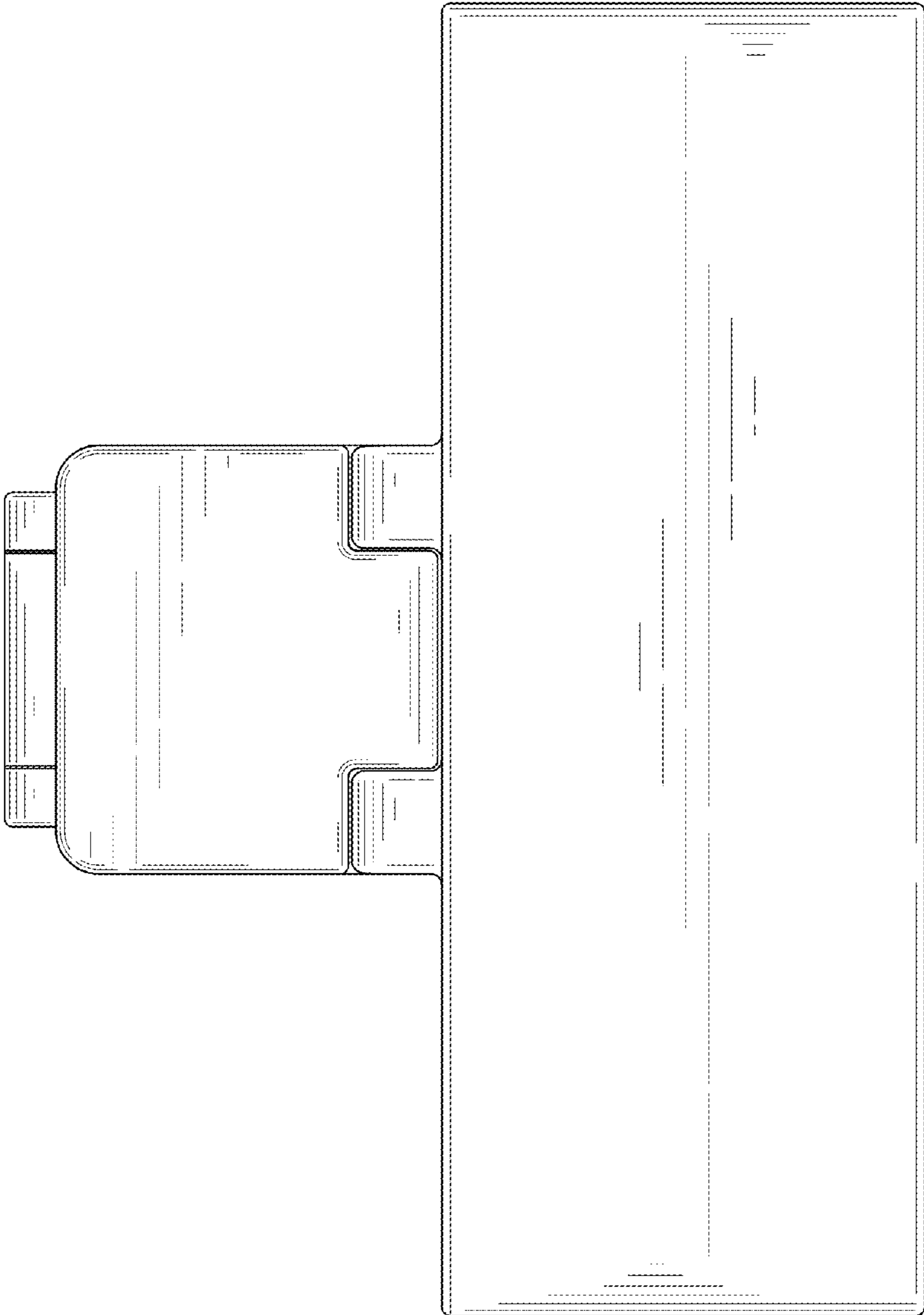


FIG. 3

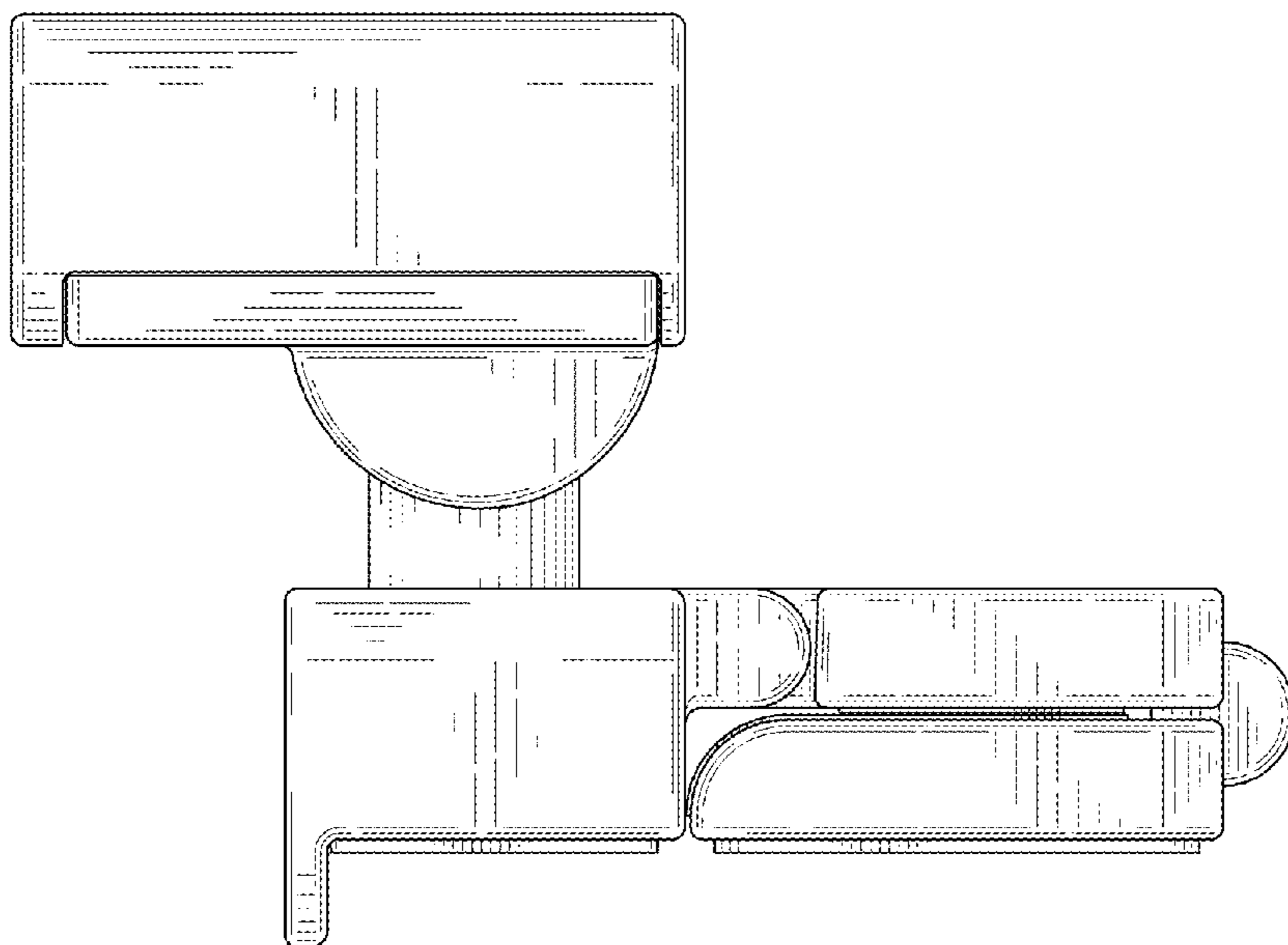


FIG. 4

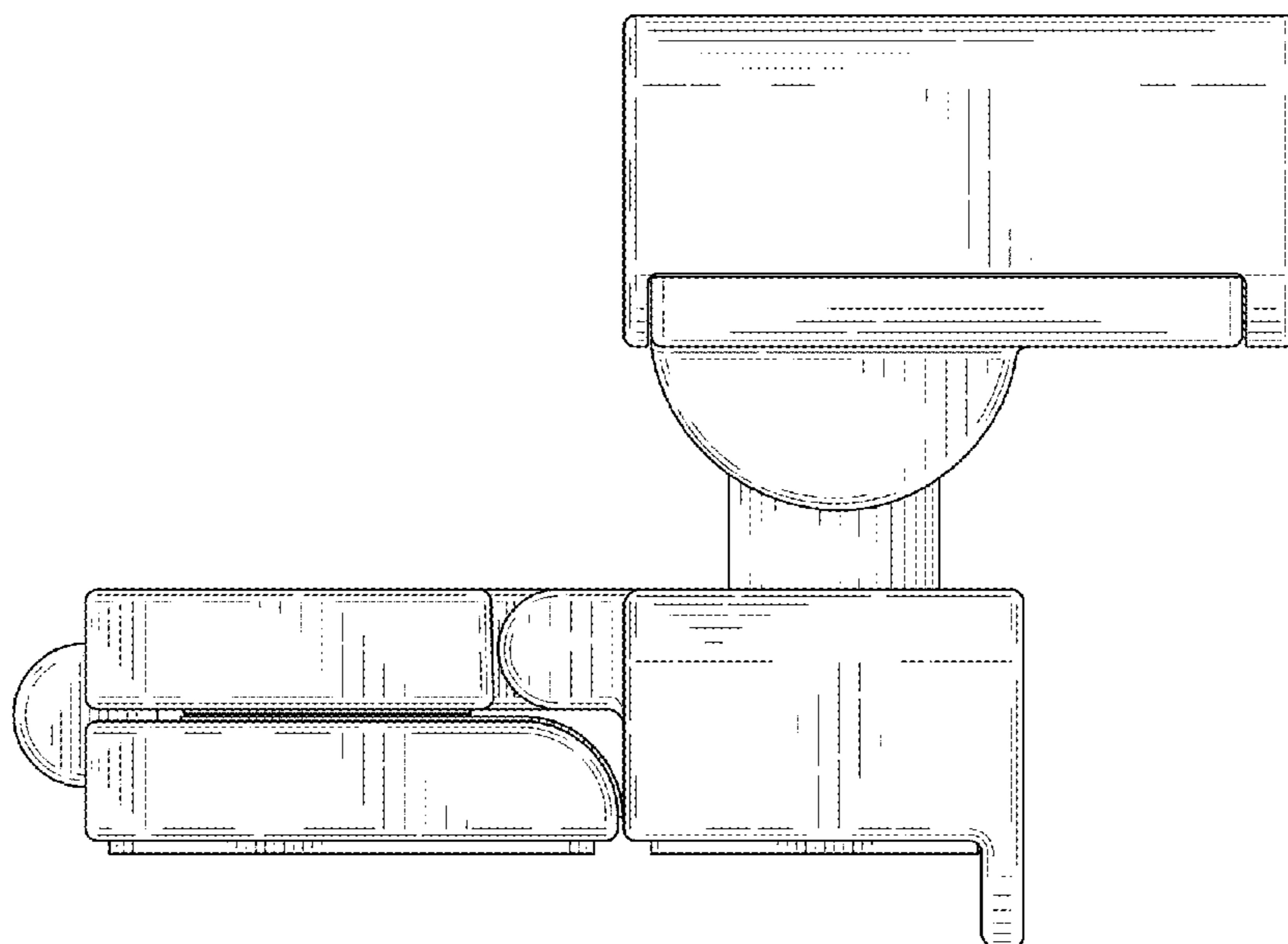


FIG. 5



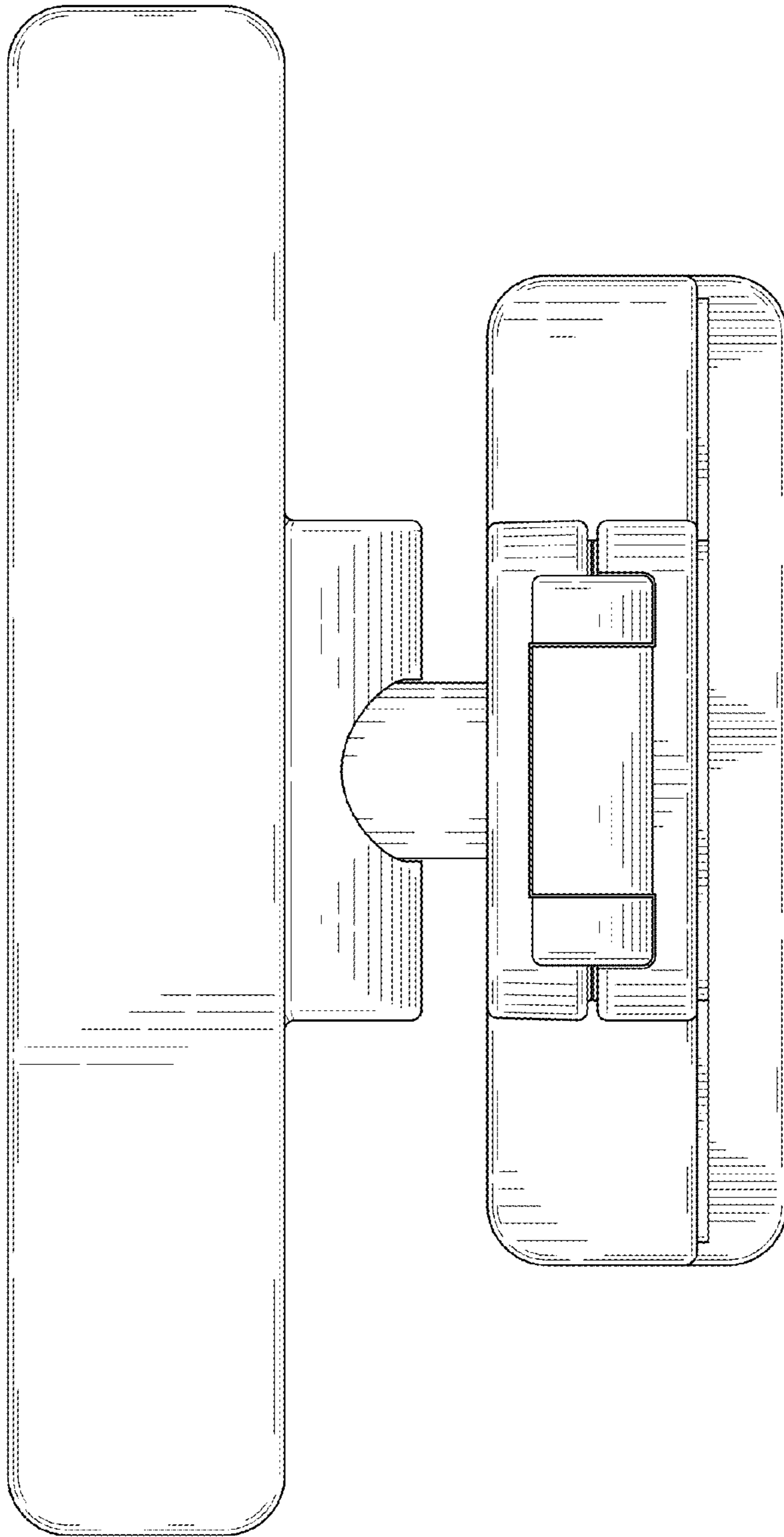


FIG. 6

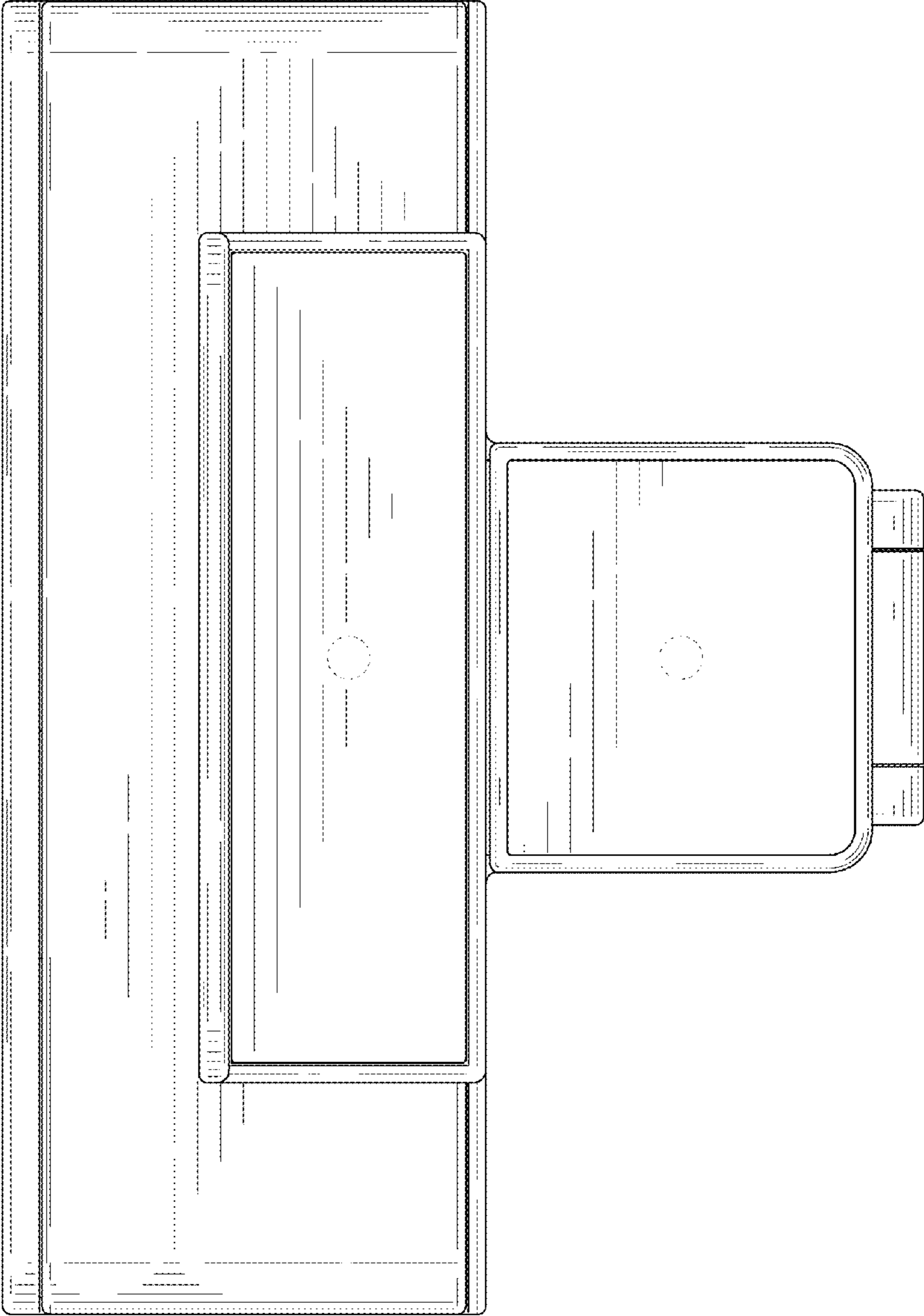


FIG. 7

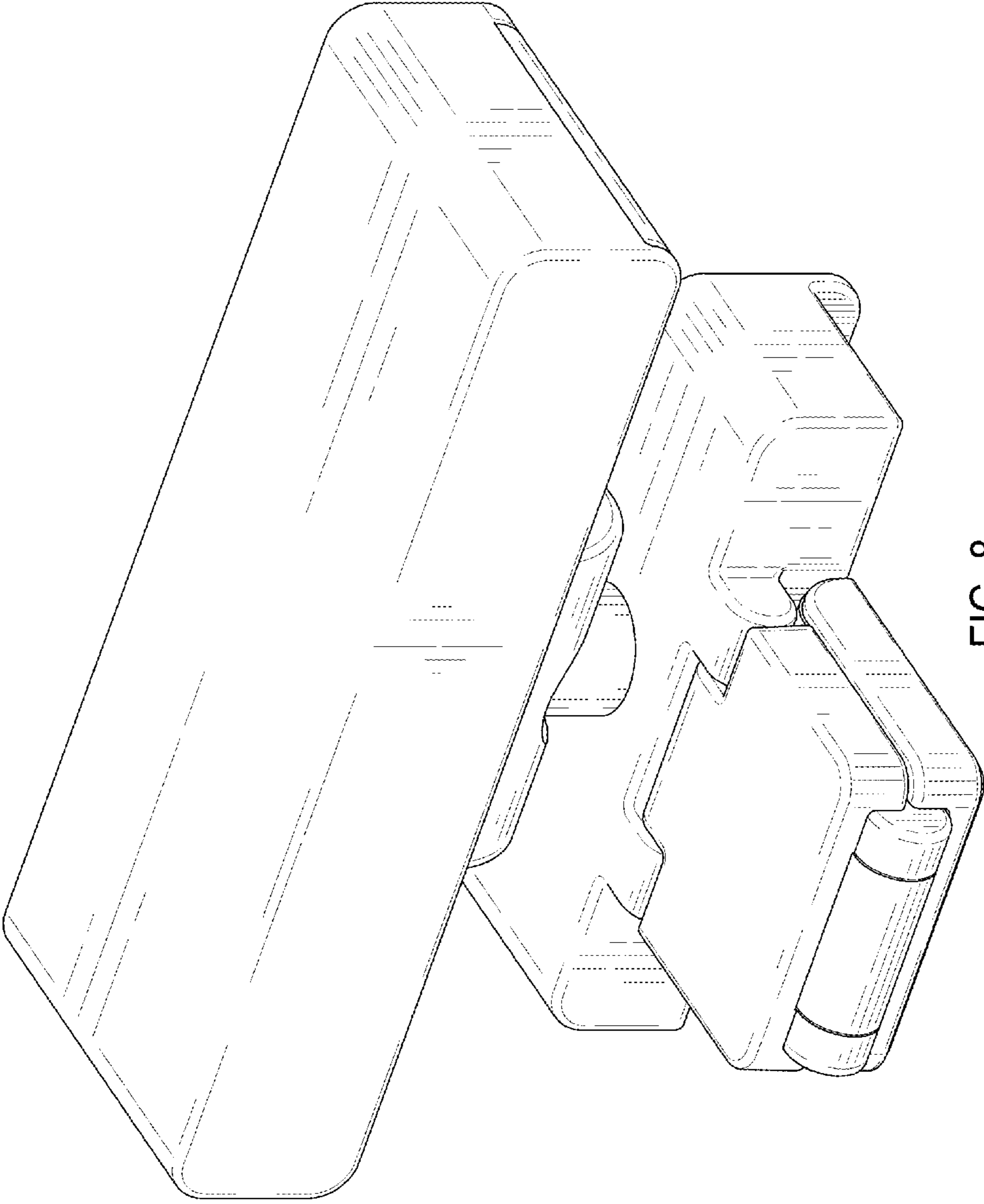


FIG. 8



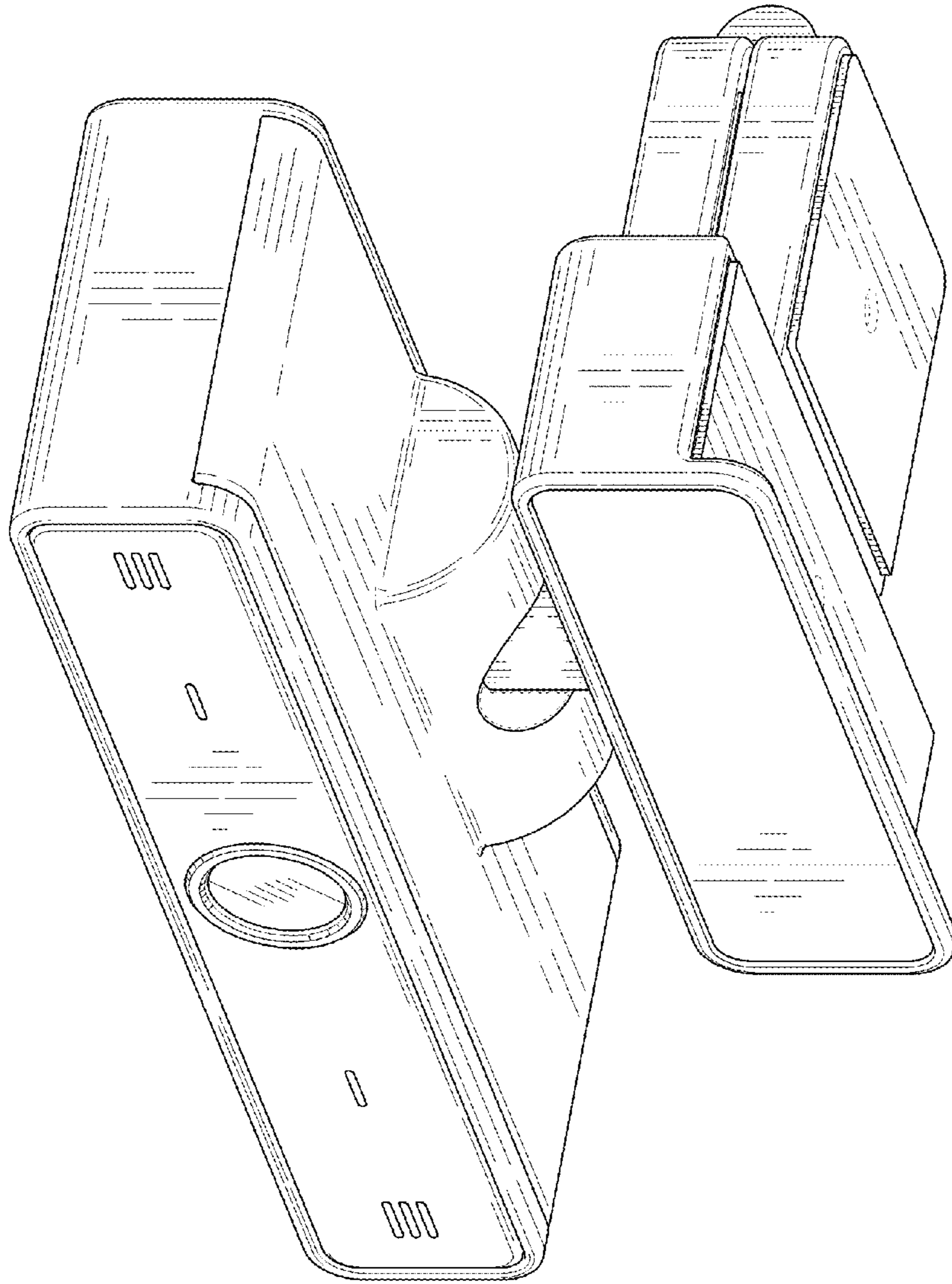


FIG. 9

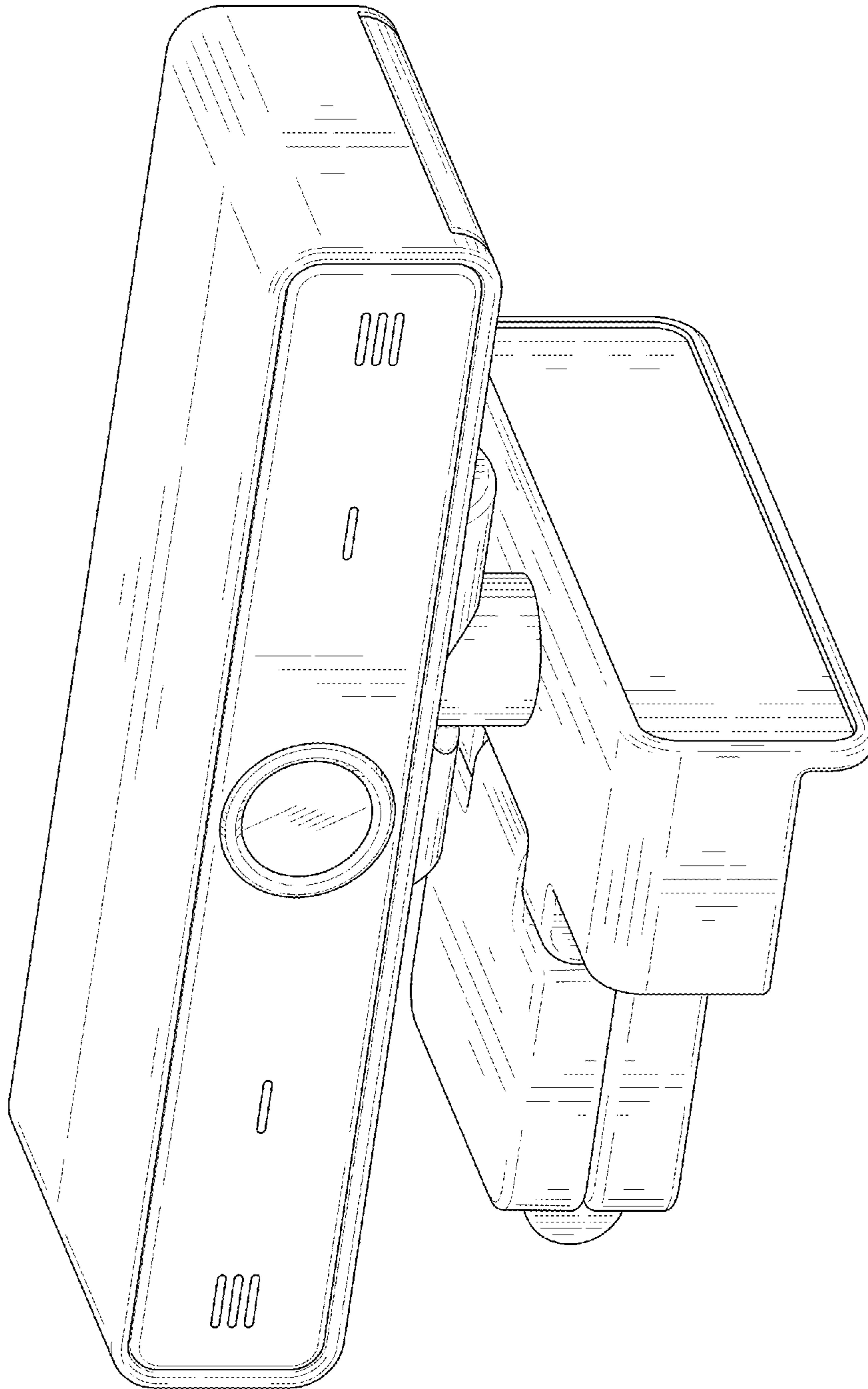


FIG. 10

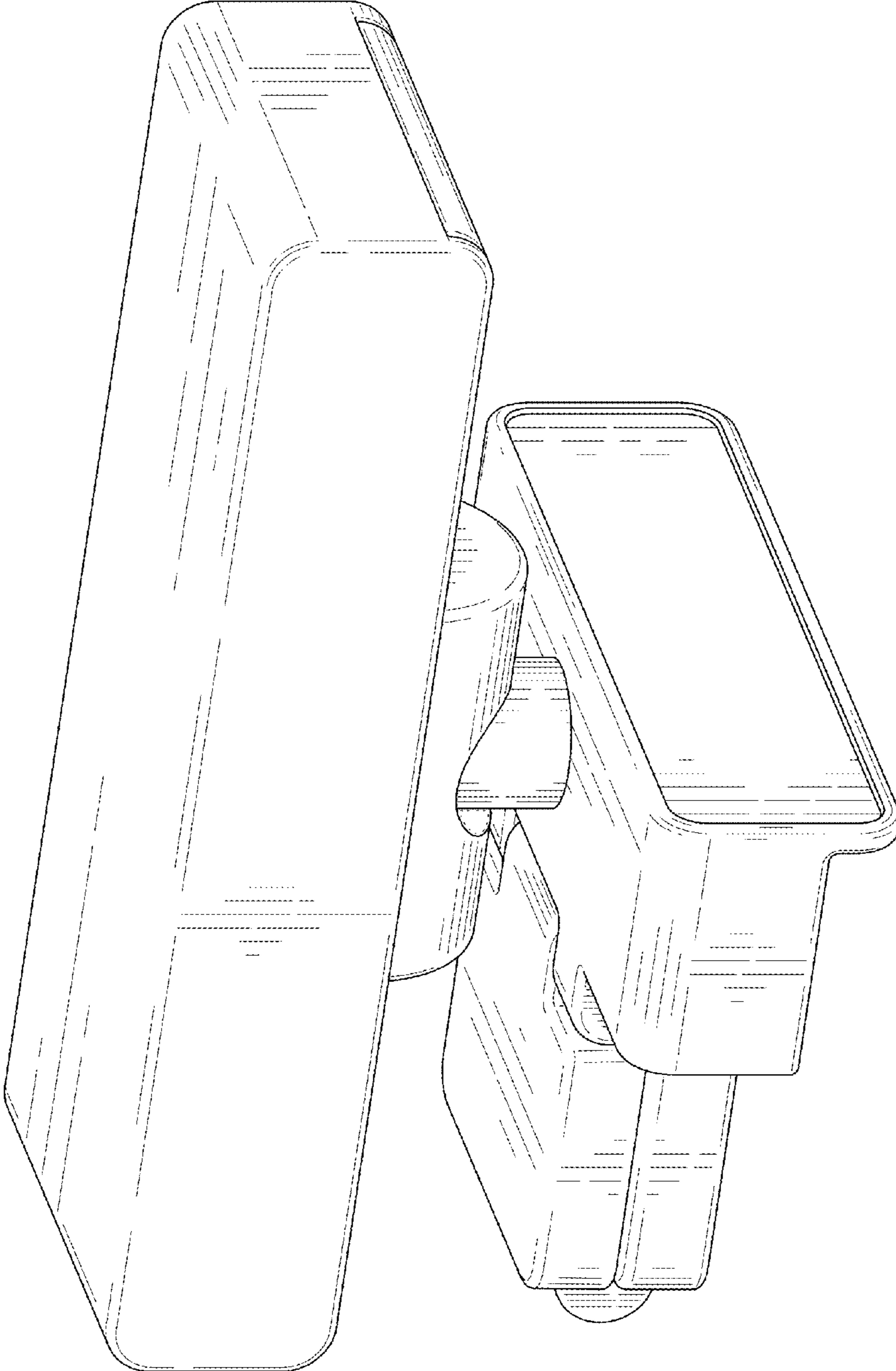


FIG. 11

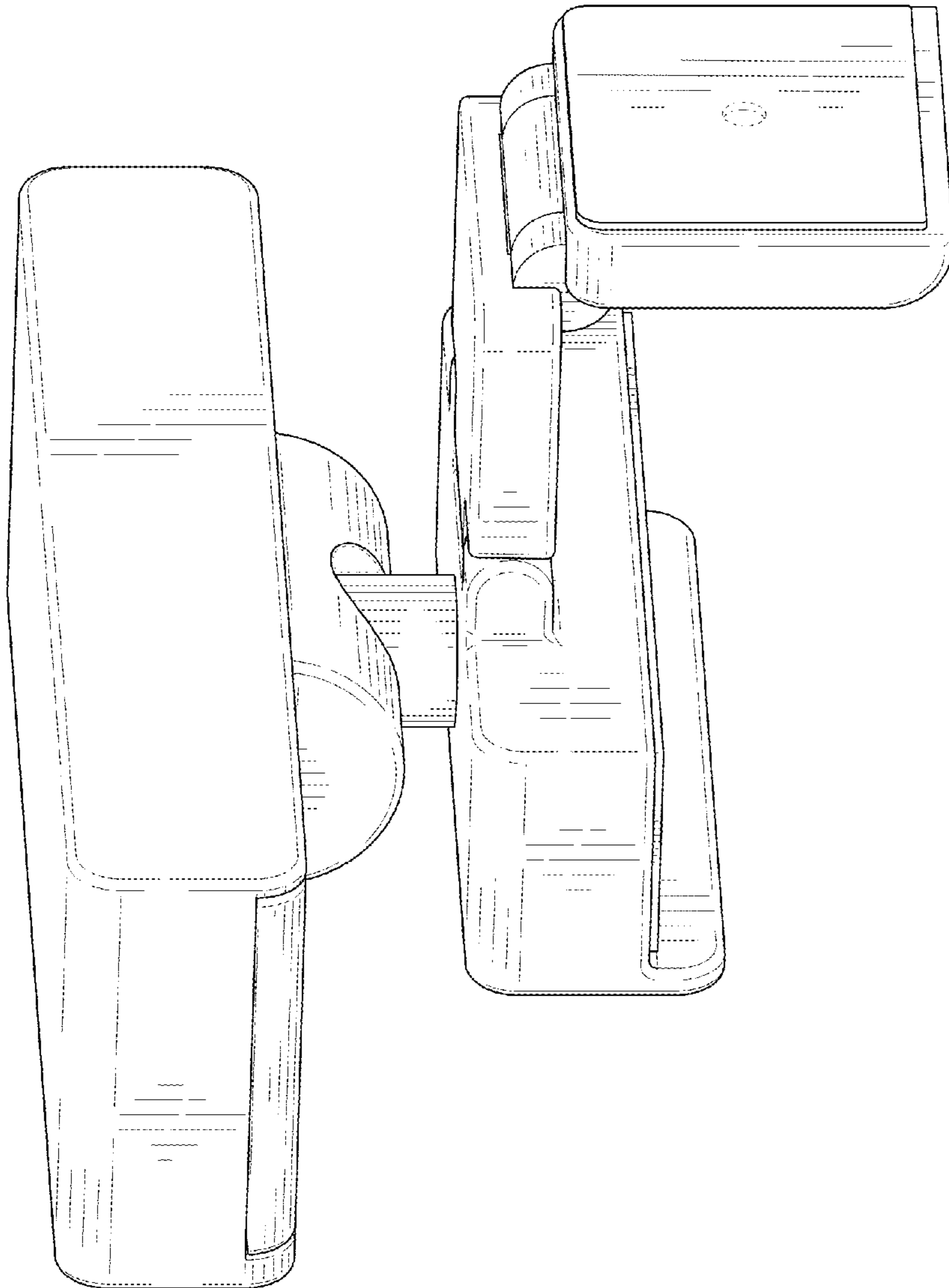


FIG. 12

UNITED STATES PATENT AND TRADEMARK OFFICE  
**CERTIFICATE OF CORRECTION**

PATENT NO. : D725,171 S  
APPLICATION NO. : 29/471982  
DATED : March 24, 2015  
INVENTOR(S) : Masayoshi Mita

Page 1 of 1

It is certified that error appears in the above-identified patent and that said Letters Patent is hereby corrected as shown below:

On the Title Page

Please correct the description of Fig. 3 to read:

Fig. 3 is a top plan view thereof;

Please correct the description of Fig. 10 to read:

Fig. 10 is a top, front, left side perspective view thereof with a camera portion rotated in a first orientation;

Please correct the description of Fig. 11 to read:

Fig. 11 is a top, front, left side perspective view thereof with the camera portion rotated in a second orientation; and

Signed and Sealed this  
Second Day of June, 2015



Michelle K. Lee  
*Director of the United States Patent and Trademark Office*