



US00D725170S

(12) **United States Design Patent**
Sakai

(10) **Patent No.:** **US D725,170 S**
(45) **Date of Patent:** **** Mar. 24, 2015**

- (54) **ELECTRONIC CAMERA**
- (75) Inventor: **Masayuki Sakai**, Tokyo (JP)
- (73) Assignee: **FUJIFILM Corporation**, Tokyo (JP)
- (**) Term: **14 Years**
- (21) Appl. No.: **29/422,011**
- (22) Filed: **May 15, 2012**
- (30) **Foreign Application Priority Data**
Dec. 19, 2011 (JP) 2011-029400
- (51) **LOC (10) Cl.** **16-01**
- (52) **U.S. Cl.**
USPC **D16/202**
- (58) **Field of Classification Search**
USPC D16/200, 202, 204, 206, 216, 217, 218;
348/373, 374, 375, 376; 358/909.1;
396/176, 177, 178, 354, 535
See application file for complete search history.

- D648,765 S * 11/2011 Tsukamoto D16/202
- D659,735 S * 5/2012 Sato D16/212
- D665,003 S * 8/2012 Sakai D16/202
- D669,109 S * 10/2012 Jang D16/202
- D669,516 S * 10/2012 Nakamura D16/202
- D669,927 S * 10/2012 Akita D16/200

* cited by examiner

Primary Examiner — Phillip S Hyder
(74) *Attorney, Agent, or Firm* — Sughrue Mion, PLLC

(57) **CLAIM**
The ornamental design for an electronic camera, as shown and described.

DESCRIPTION

FIG. 1 is a top, front and side perspective view of an electronic camera showing my new design;
FIG. 2 is a front elevational view thereof;
FIG. 3 is a rear elevational view thereof;
FIG. 4 is a top plan view thereof;
FIG. 5 is a bottom plan view thereof;
FIG. 6 is a right side elevational view thereof;
FIG. 7 is a left side elevational view thereof; and,
FIG. 8 is a top, front and side perspective view thereof, but with the lens cover in a raised position.
The broken lines depict portions of the electronic camera in which the design is embodied that are not considered part of the claimed design.

1 Claim, 6 Drawing Sheets

- (56) **References Cited**
U.S. PATENT DOCUMENTS
D548,255 S * 8/2007 Naito D16/202
D552,647 S * 10/2007 Bai D16/202
D562,871 S * 2/2008 Ishii D16/212
D573,623 S * 7/2008 Nakajima D16/202
D608,812 S * 1/2010 Tainaka D16/212
D610,179 S * 2/2010 Tajima D16/202
D645,070 S * 9/2011 Sakai D16/202

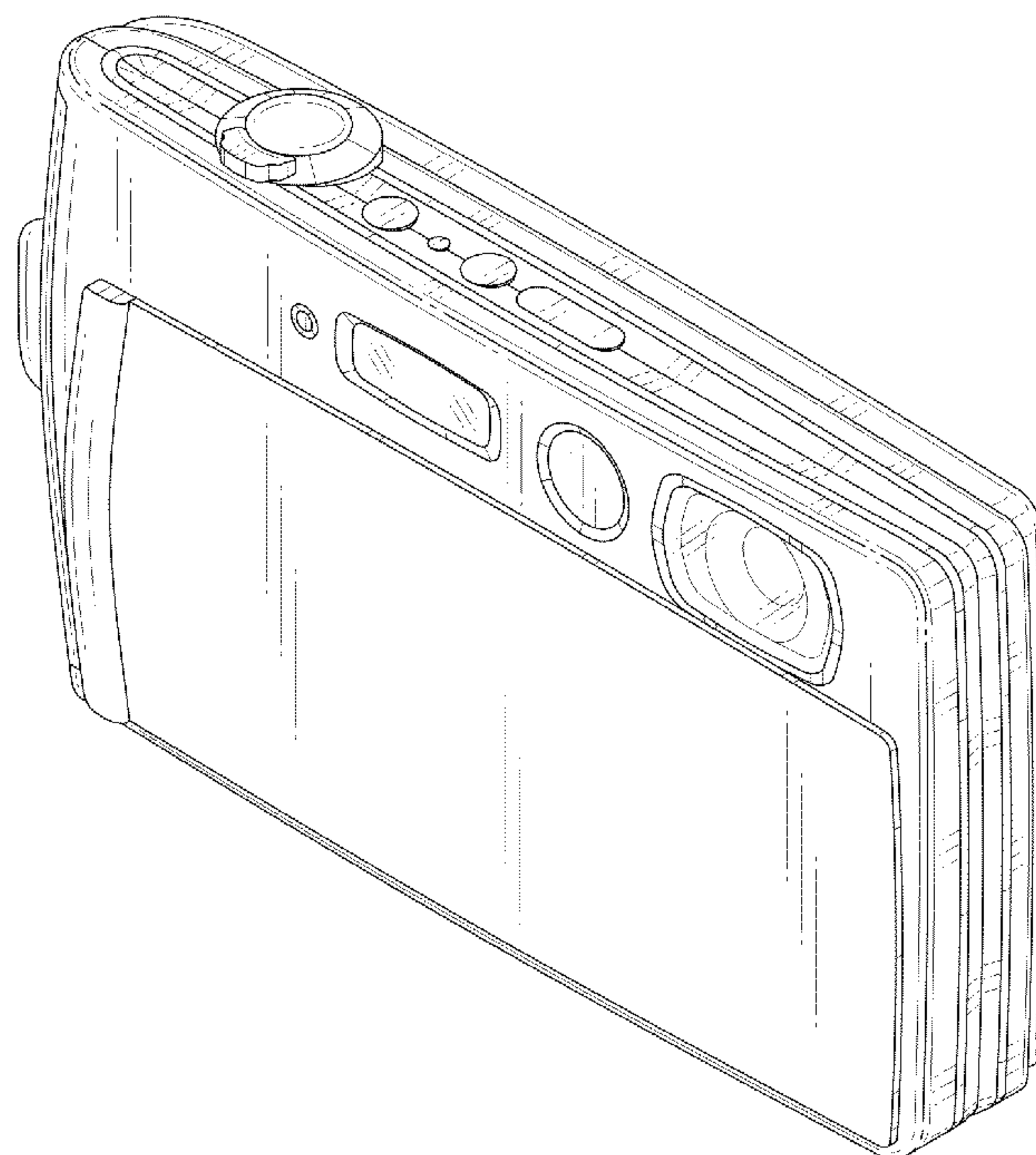


FIG.1

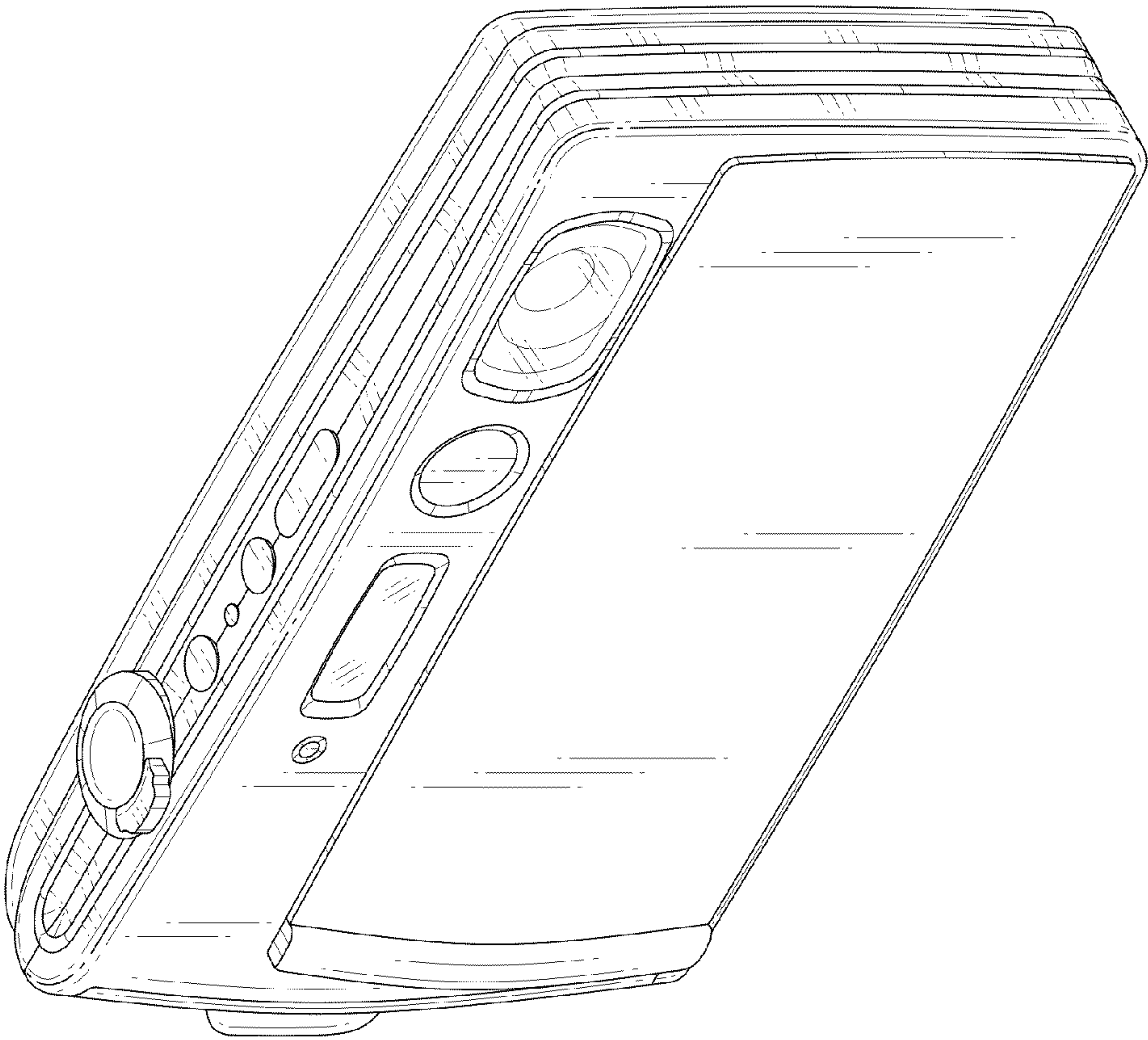


FIG.2

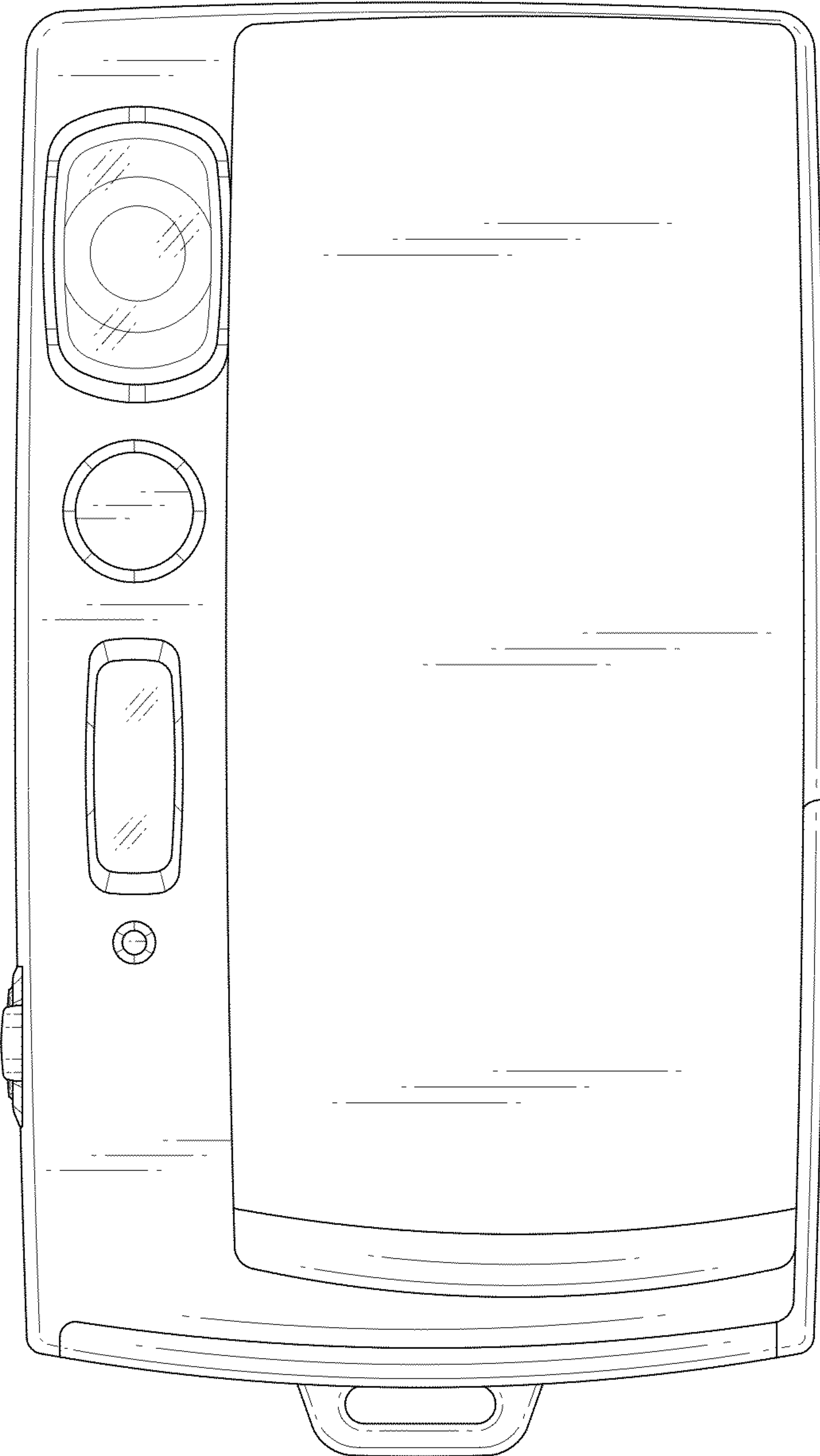


FIG. 3

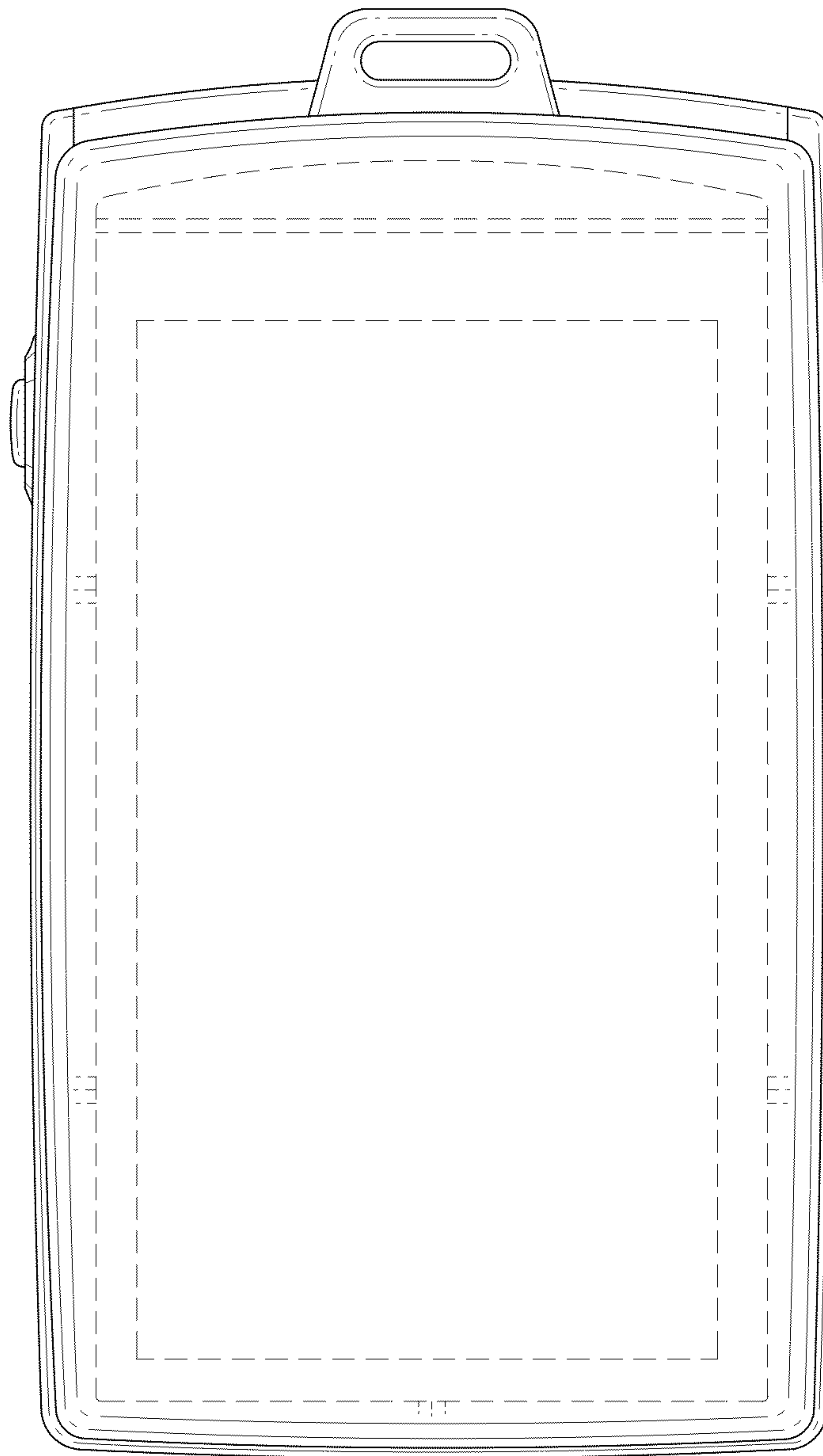


FIG. 4

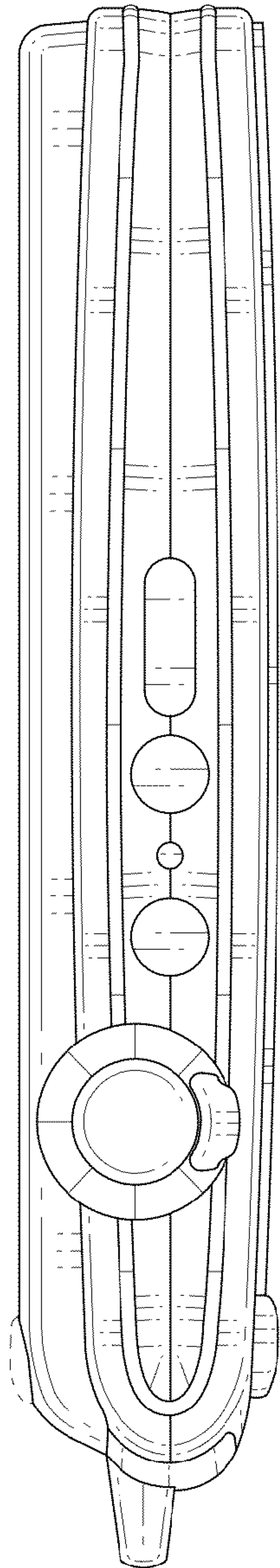


FIG. 5

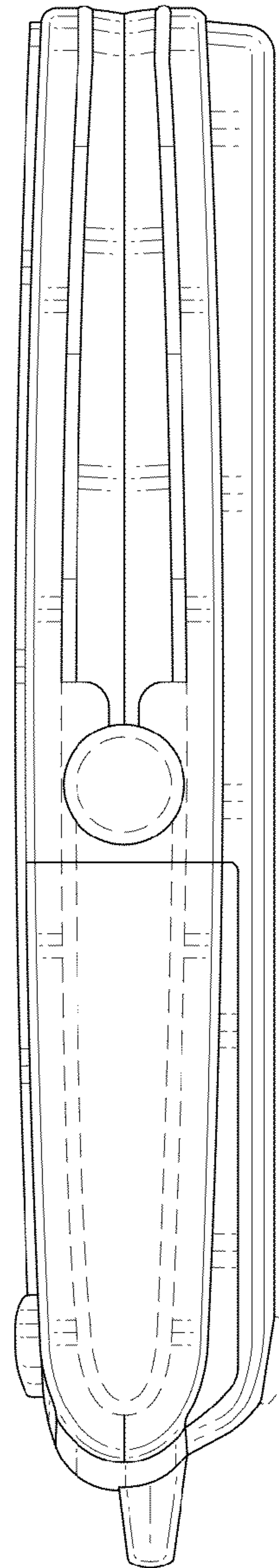


FIG.7

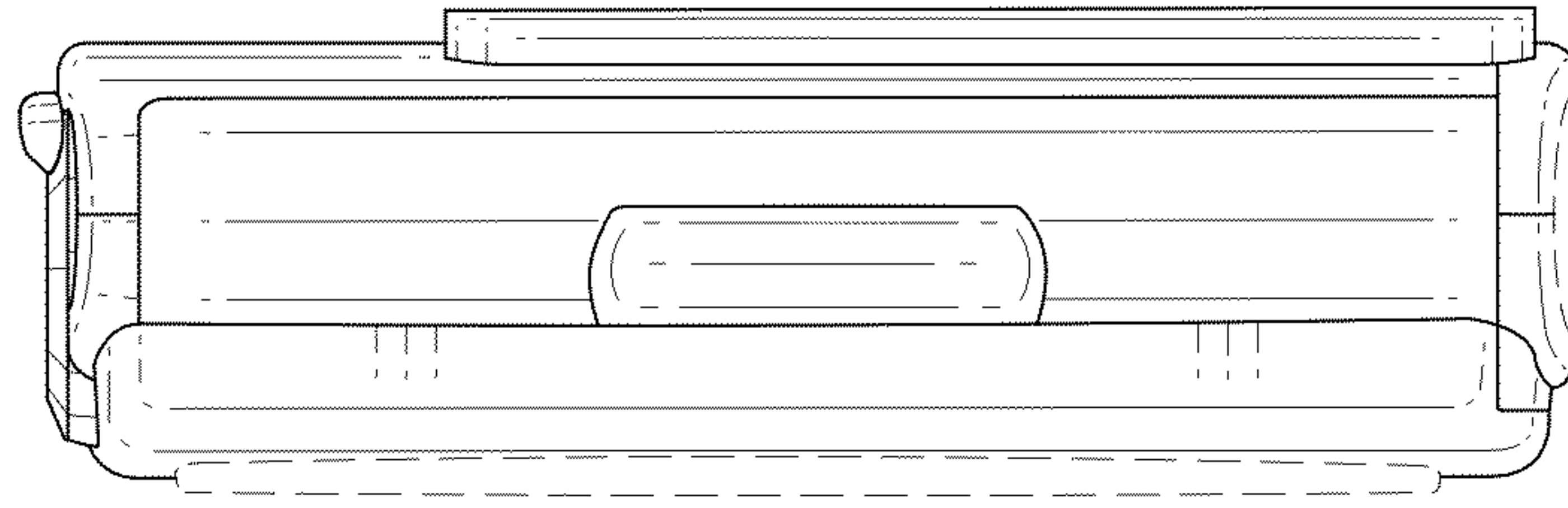


FIG.6

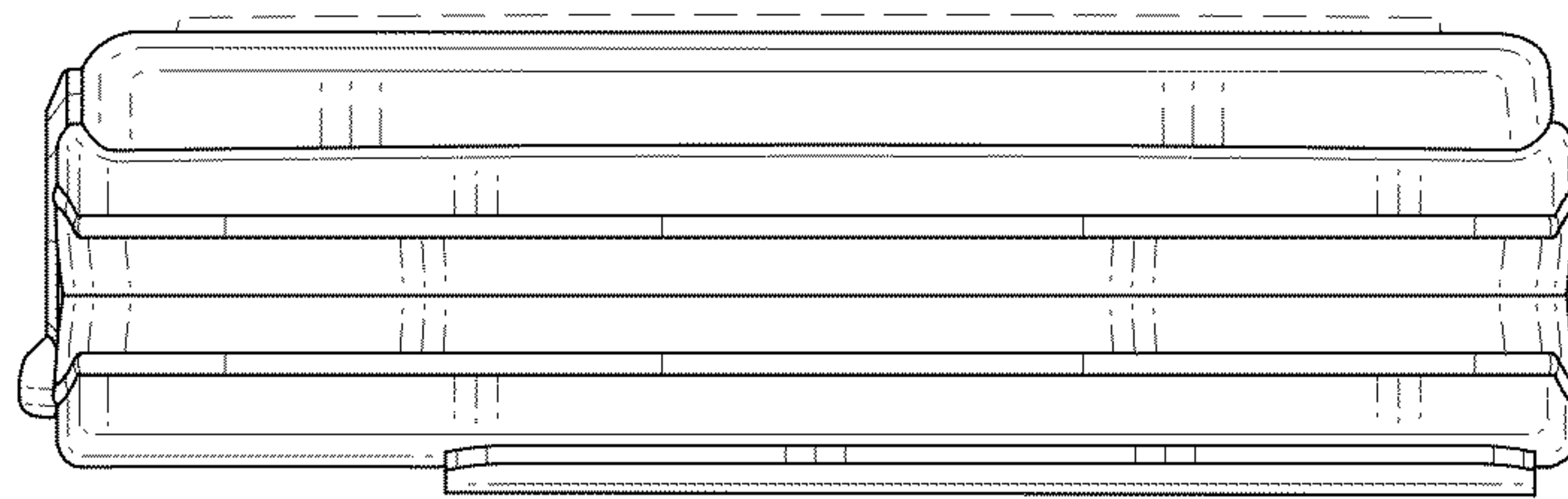


FIG. 8

