



US00D725169S

(12) **United States Design Patent**  
**Gioscia et al.**

(10) **Patent No.:** **US D725,169 S**  
(45) **Date of Patent:** **\*\* Mar. 24, 2015**

- (54) **CAMERA HOUSING**
- (71) Applicant: **GoPro, Inc.**, San Mateo, CA (US)
- (72) Inventors: **Richard Gioscia**, Santa Clara, CA (US);  
**Seungheon Lee**, Cupertino, CA (US);  
**Derek Yap**, San Carlos, CA (US); **Evan L. Coons**, San Mateo, CA (US); **Joshua P. Davies**, Fremont, CA (US)
- (73) Assignee: **GoPro, Inc.**, San Mateo, CA (US)
- (\*\*) Term: **14 Years**
- (21) Appl. No.: **29/491,394**
- (22) Filed: **May 20, 2014**

**Related U.S. Application Data**

- (63) Continuation of application No. 29/461,140, filed on Jul. 18, 2013, now Pat. No. Des. 710,921.
- (51) **LOC (10) Cl.** ..... **16-01**
- (52) **U.S. Cl.**  
USPC ..... **D16/200**; D16/218
- (58) **Field of Classification Search**  
CPC ..... G03B 15/03; G03B 17/02; G03B 17/04;  
G03B 17/08; G03B 17/56; G03B 19/04;  
H04N 5/2251; H04N 5/2252; H04N 5/2253;  
H04N 5/2254; A45C 11/38  
USPC ..... D3/267, 294; D16/200, 202–204, 208,  
D16/211, 218, 219, 242; 248/176.1, 187.1;  
348/81, 373–376; 396/25, 27, 29, 419,  
396/535, 539–541; 206/316.2  
See application file for complete search history.

(56) **References Cited**

**U.S. PATENT DOCUMENTS**

- D321,704 S \* 11/1991 Leonard et al. .... D16/200
- D367,283 S \* 2/1996 Lyon et al. .... D16/208
- D419,296 S 1/2000 Shinano

- D453,177 S 1/2002 Uehara
- D550,742 S 9/2007 Ishii
- D616,479 S \* 5/2010 Ganahl, Jr. .... D16/204
- D621,432 S 8/2010 Yim
- 8,014,656 B2 9/2011 Woodman
- D646,313 S 10/2011 Woodman
- D647,554 S 10/2011 Yim
- D657,808 S 4/2012 Woodman
- D657,811 S 4/2012 Woodman
- D674,428 S 1/2013 Woodman
- D674,429 S 1/2013 Woodman
- 8,544,643 B2 10/2013 Yim
- 8,596,890 B2 12/2013 Yim et al.
- D699,947 S \* 2/2014 To et al. .... D3/294

(Continued)

*Primary Examiner* — Adir Aronovich  
*Assistant Examiner* — Ramzi Almatrahi  
(74) *Attorney, Agent, or Firm* — Fenwick & West LLP

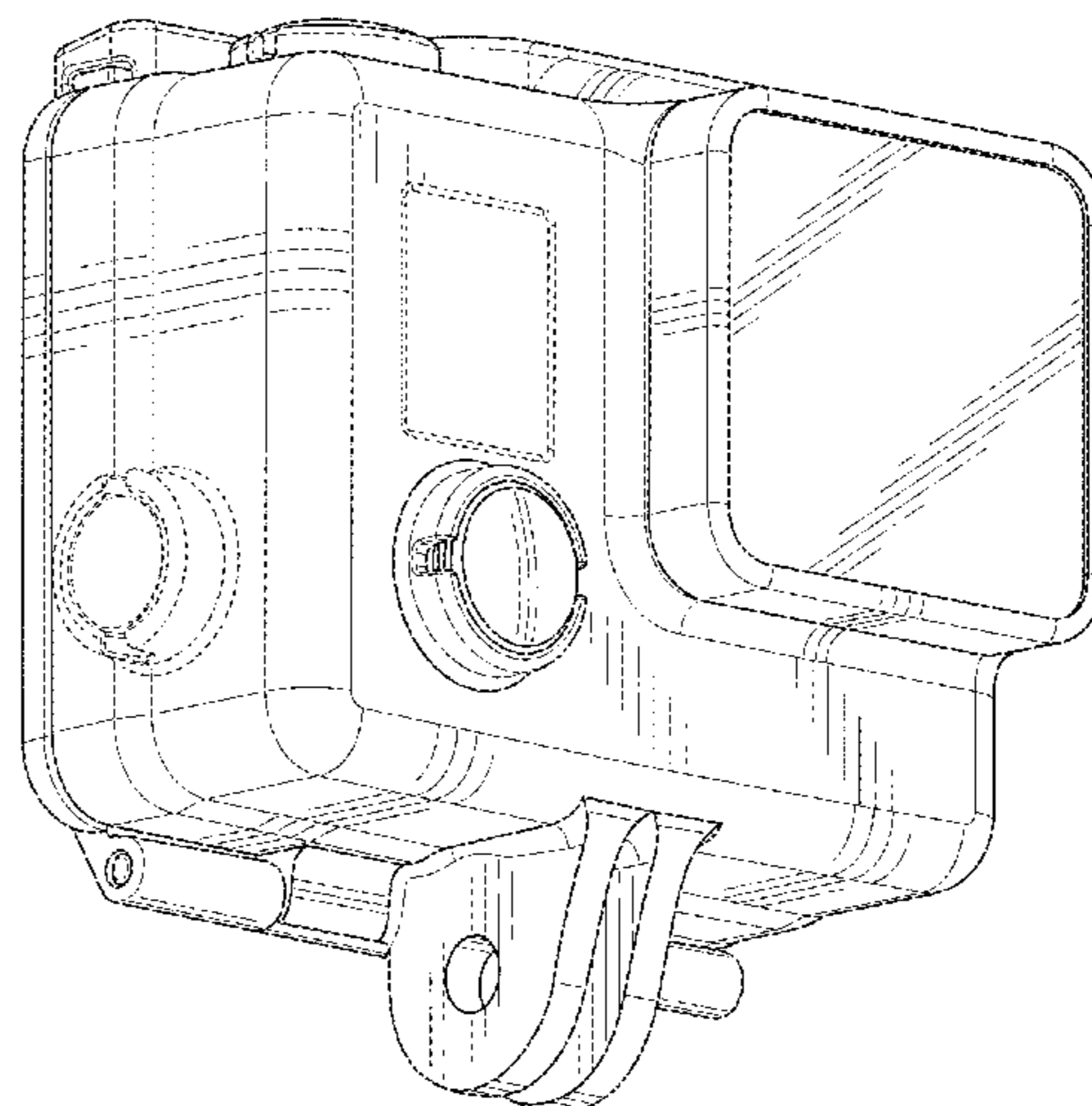
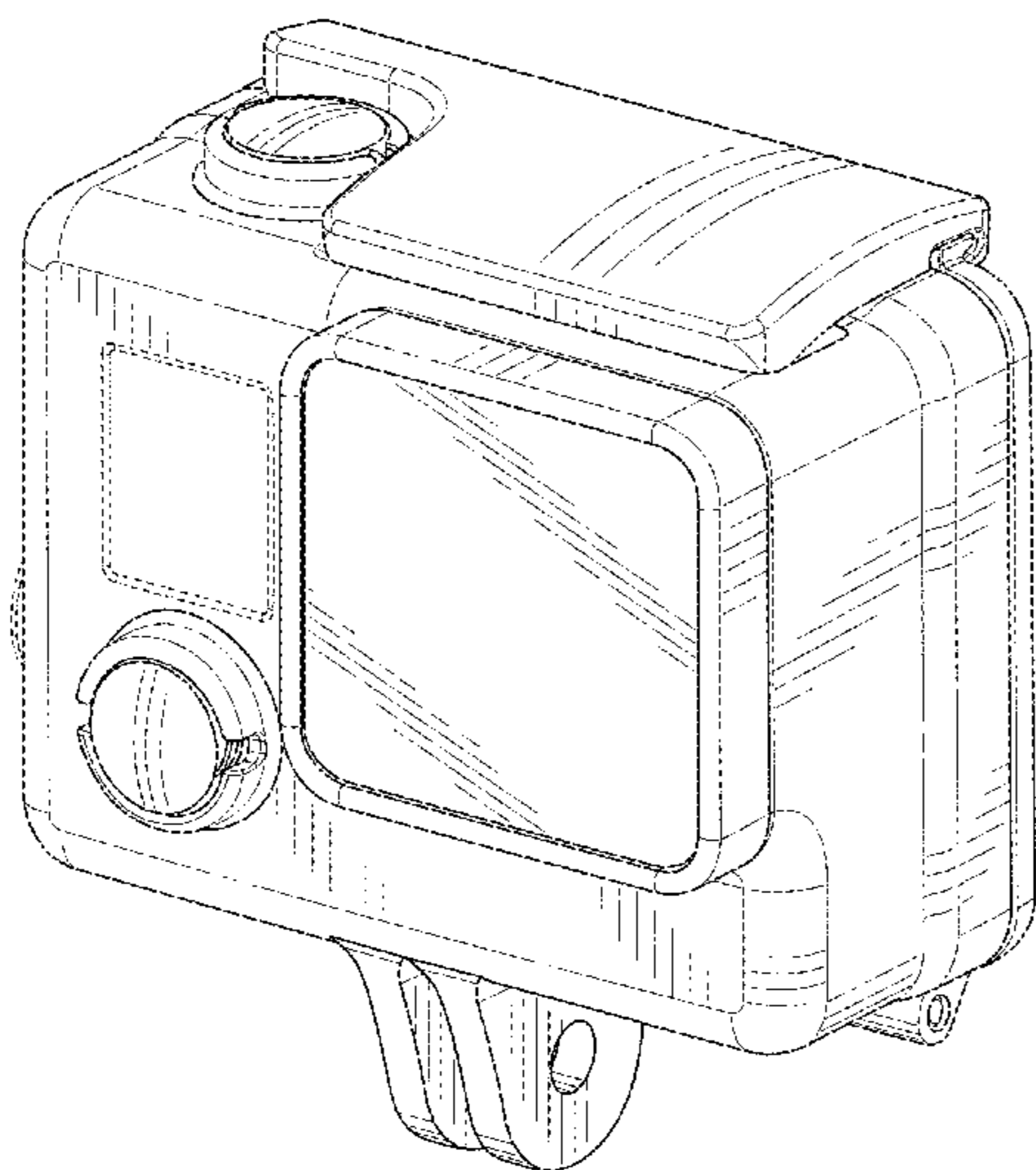
(57) **CLAIM**

The ornamental design for a camera housing, as shown and described.

**DESCRIPTION**

FIG. 1 is a front, top, and right side perspective view of a camera housing showing our new design;  
FIG. 2 is a front, bottom and left side perspective view thereof;  
FIG. 3 is a back, top and left side perspective view thereof;  
FIG. 4 is a back, bottom and right side perspective view thereof;  
FIG. 5 is a front elevational view thereof;  
FIG. 6 is a back elevational view thereof;  
FIG. 7 is a left side elevational view thereof;  
FIG. 8 is a right side elevational view thereof;  
FIG. 9 is a top plan view thereof; and,  
FIG. 10 is a bottom plan view thereof.  
The broken lines depict portions of a camera housing in which the design is embodied and form no part of the claimed design.

**1 Claim, 10 Drawing Sheets**



# US D725,169 S

Page 2

---

(56)

## References Cited

### U.S. PATENT DOCUMENTS

D702,276 S	4/2014	Woodman	
D702,277 S *	4/2014	Woodman .....	D16/219
D702,747 S	4/2014	Woodman et al.	
D700,778 S *	3/2014	To et al. ....	D3/294

\* cited by examiner

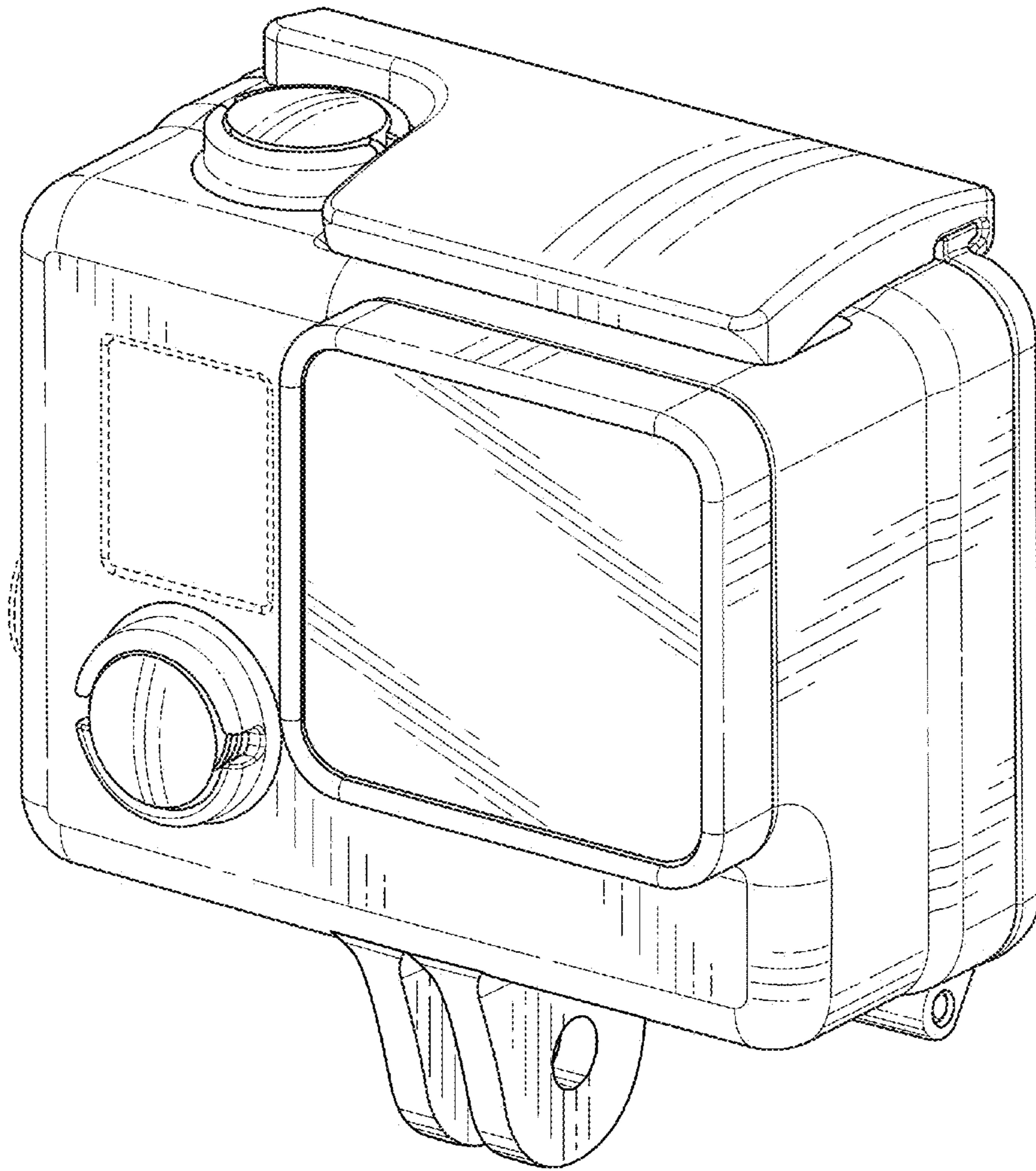


FIG. 1

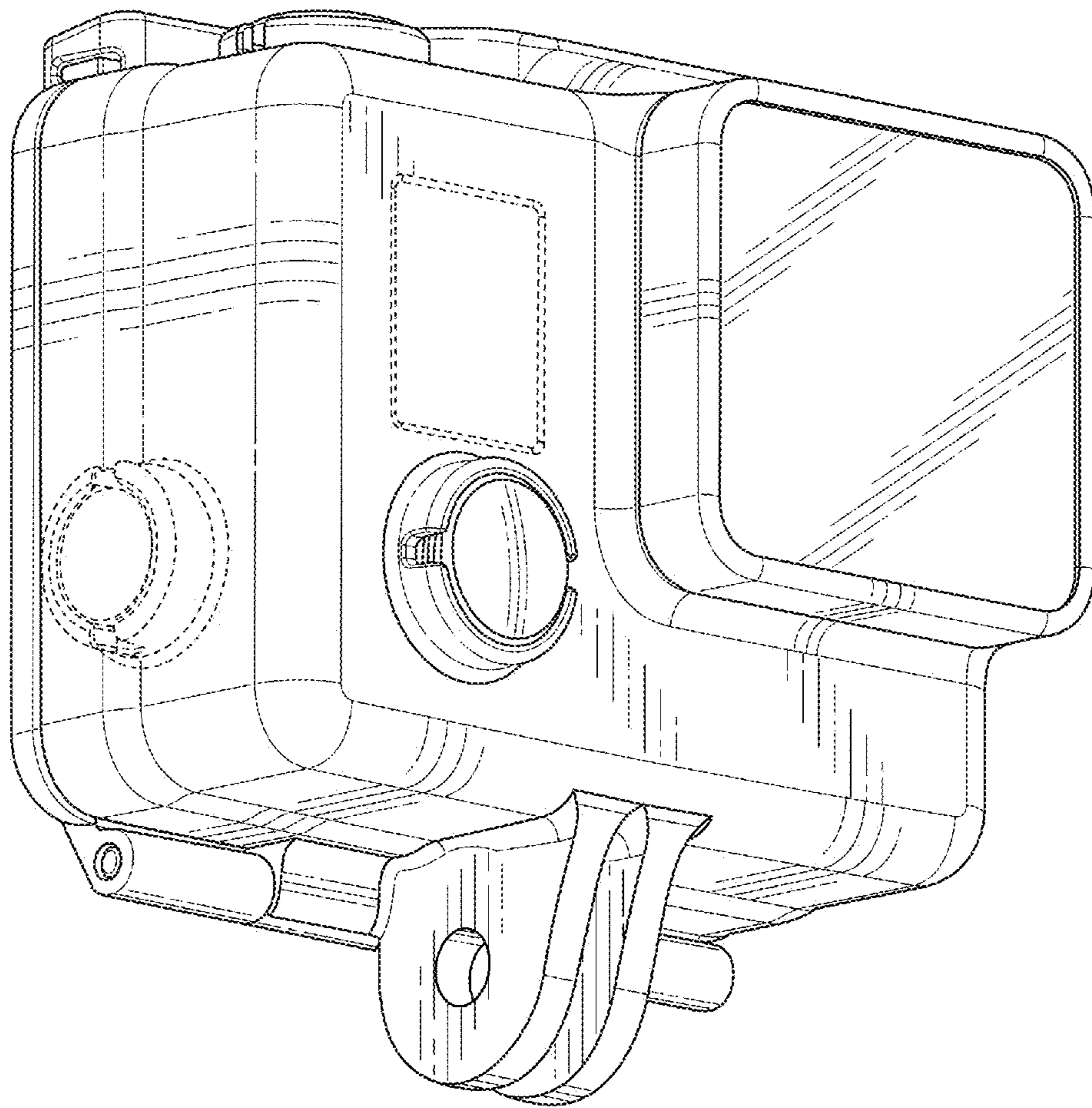


FIG. 2

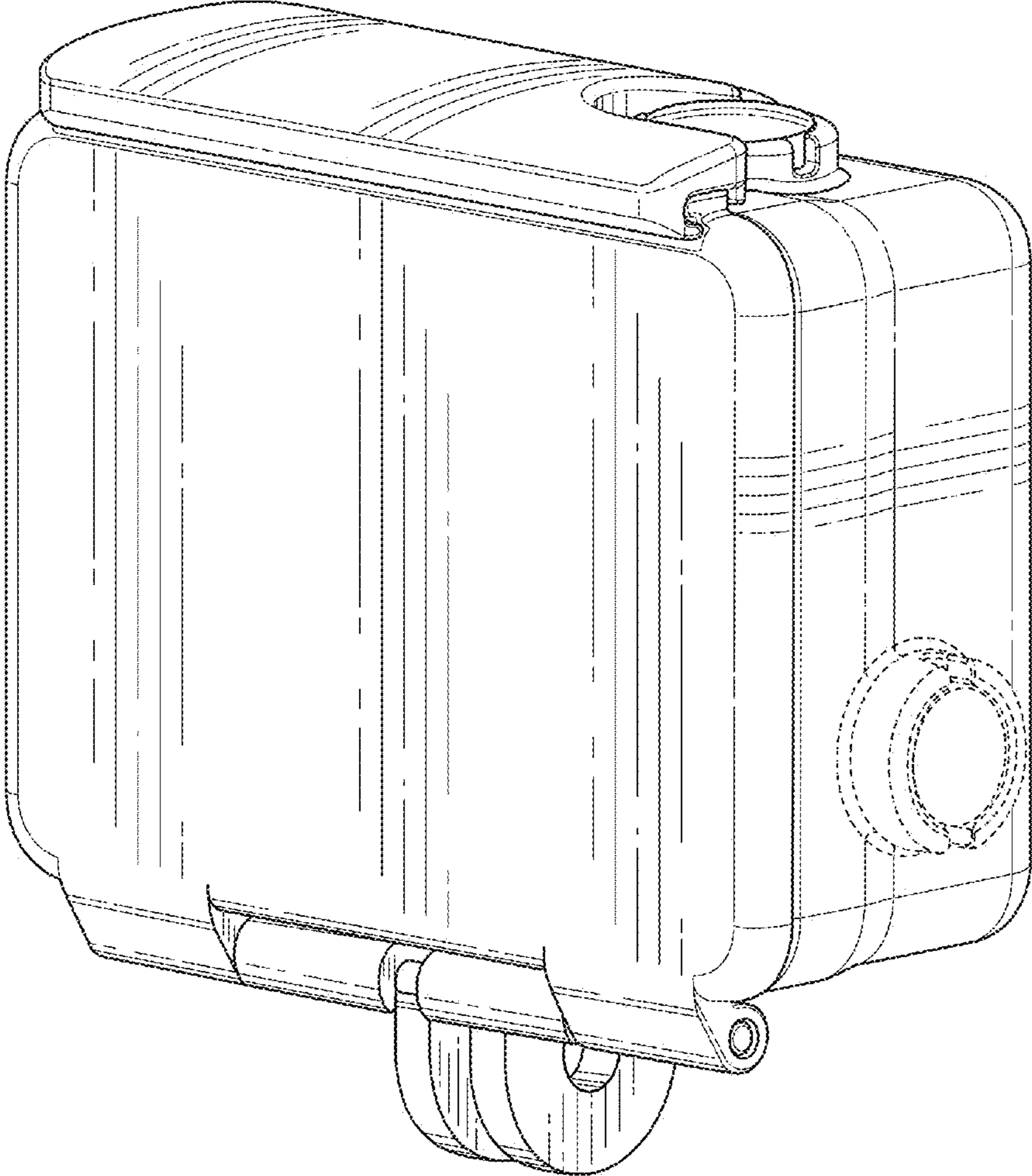


FIG. 3

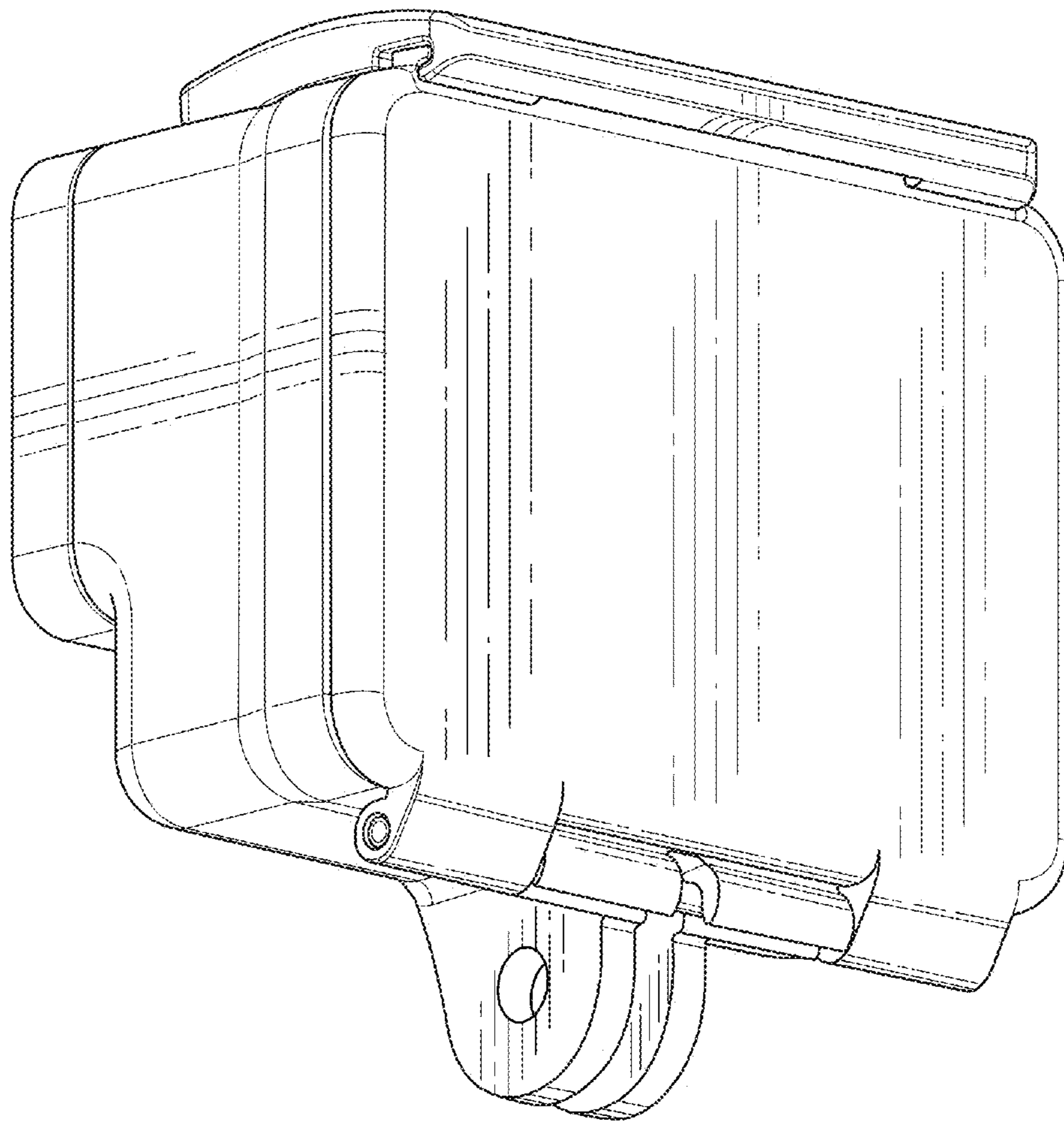


FIG. 4

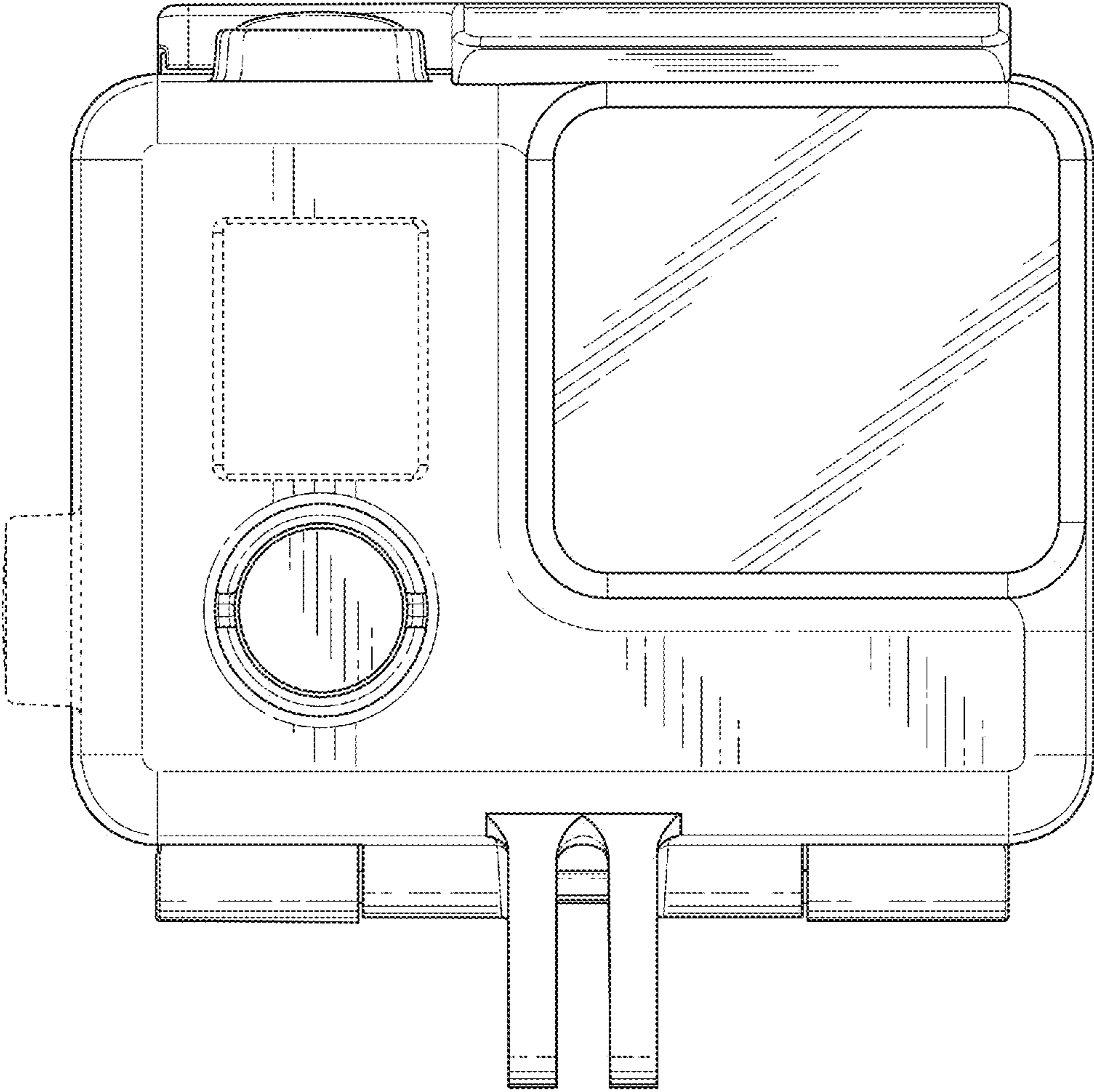


FIG. 5

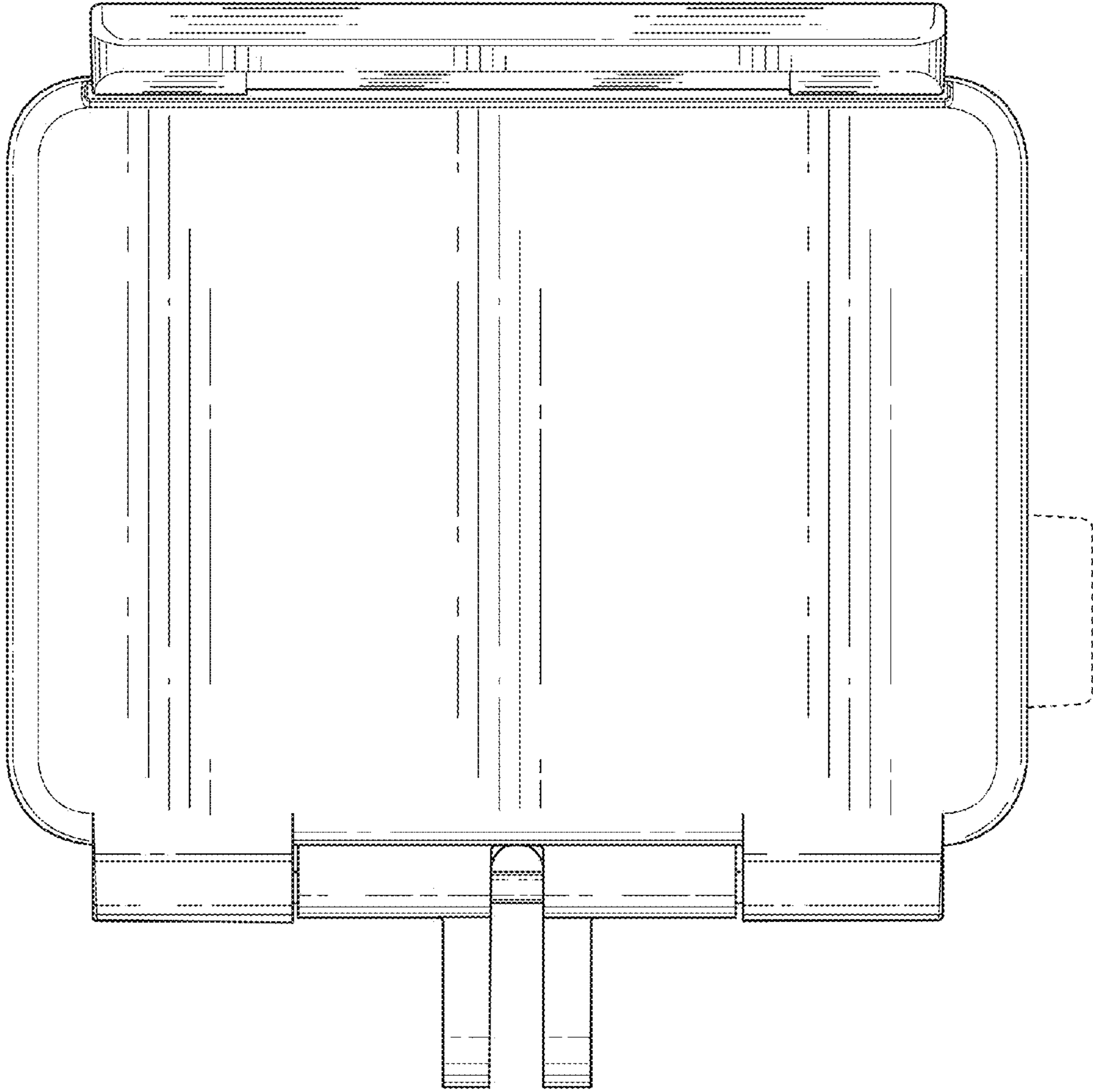


FIG. 6



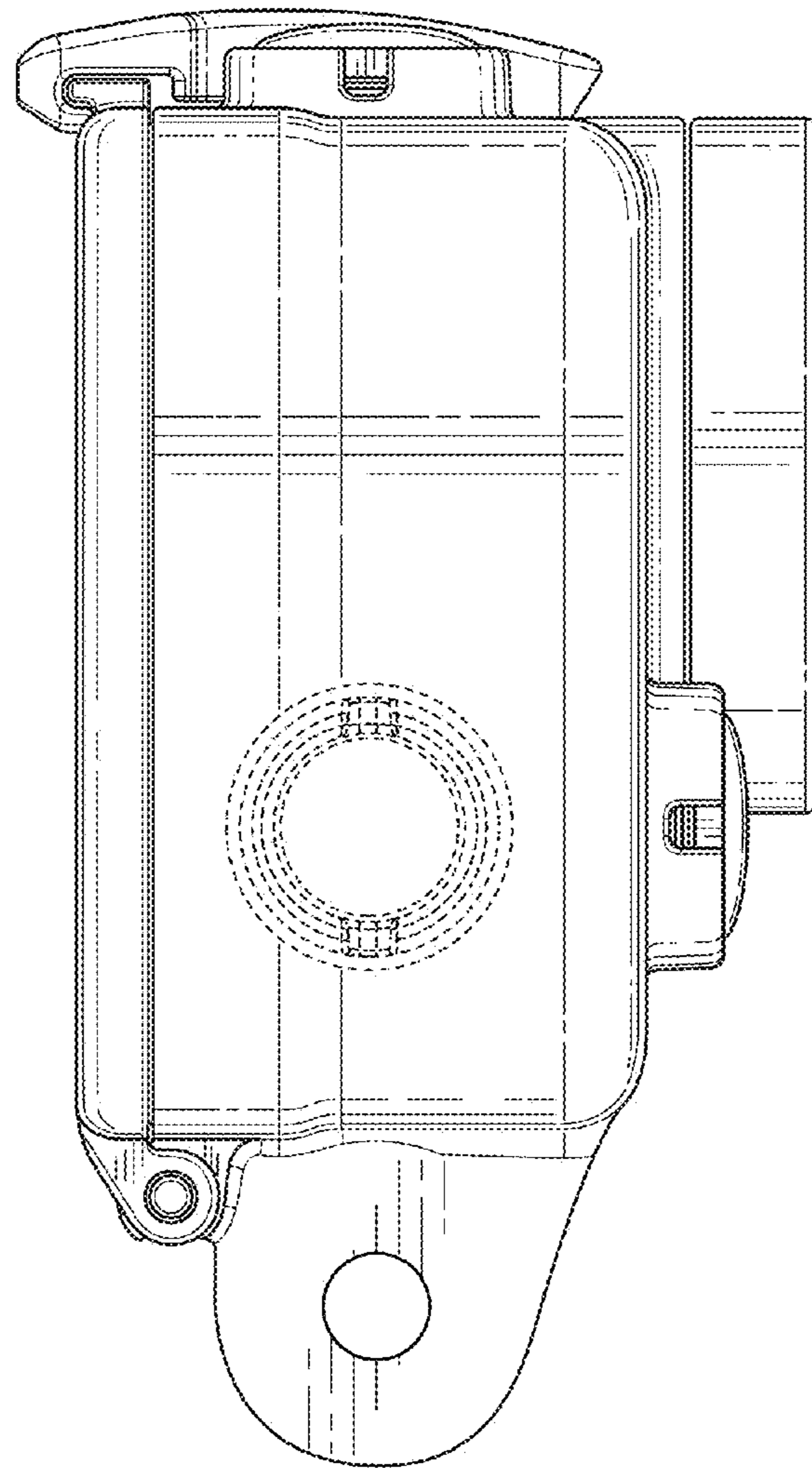


FIG. 7

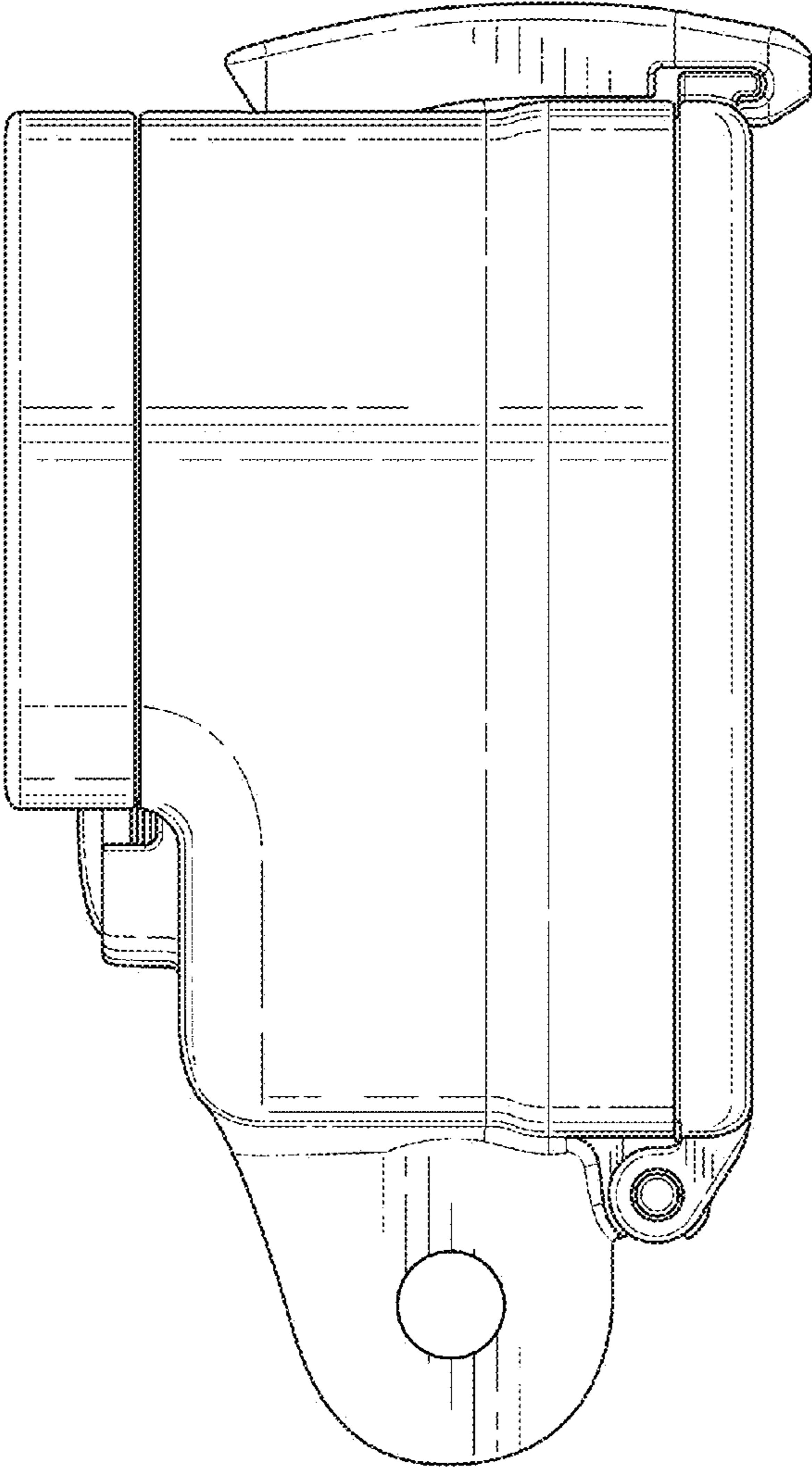


FIG. 8

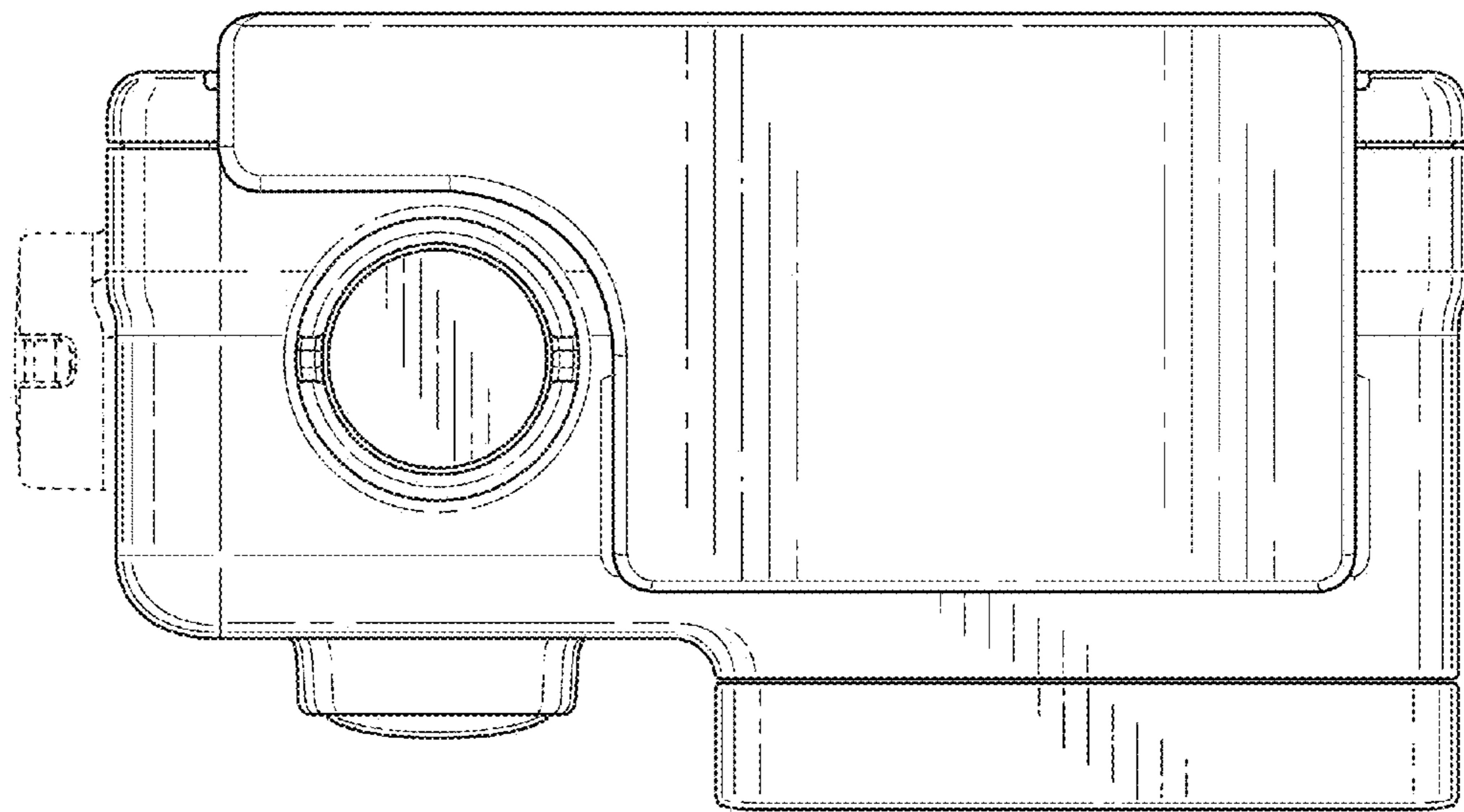


FIG. 9

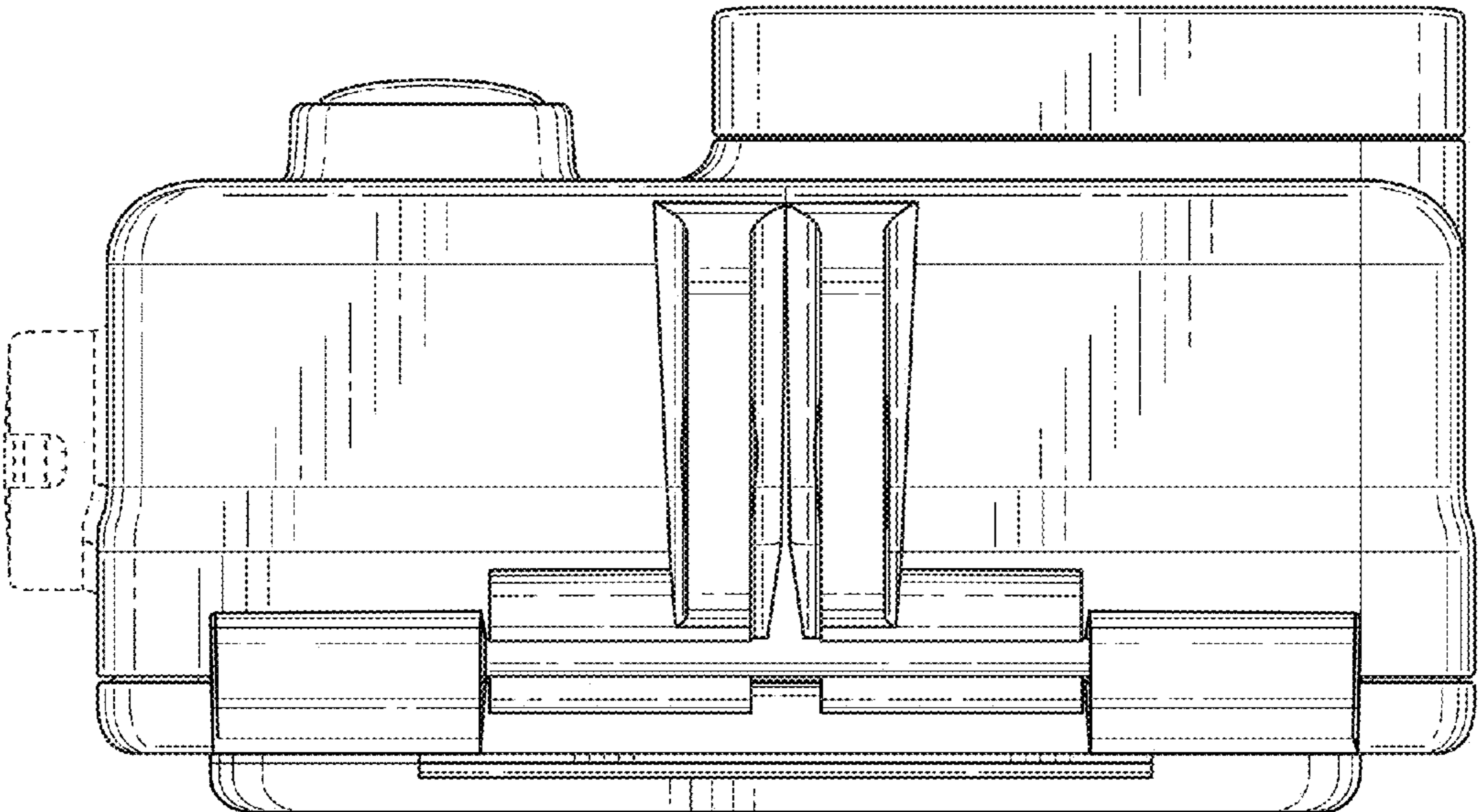


FIG. 10