



US00D725167S

(12) **United States Design Patent**
Song et al.

(10) **Patent No.:** **US D725,167 S**
(45) **Date of Patent:** **** Mar. 24, 2015**

(54) **ROBOT FOR TABLET PC**

414/744.1, 935, 936, 937, 938, 940;
466/268-274, 279, 280, 285, 289-292,
466/294, 297-303

(71) Applicant: **Future Robot Co., Ltd.**, Seongnam-si,
Gyeonggi-do (KR)

See application file for complete search history.

(72) Inventors: **Se Kyong Song**, Seongnam-si (KR);
Sang Ki Lee, Seongnam-si (KR)

(56) **References Cited**

(73) Assignee: **Future Robot Co., Ltd.**, Seongnam
(KR)

U.S. PATENT DOCUMENTS

(**) Term: **14 Years**

D290,032 S *	5/1987	Horiuchi	D21/578
D312,492 S *	11/1990	Branson	D21/578
7,171,286 B2 *	1/2007	Wang et al.	700/248
D553,655 S *	10/2007	Jennings et al.	D15/199
D563,443 S *	3/2008	Ahn et al.	D15/199
D572,739 S *	7/2008	Jennings et al.	D15/199
D675,656 S *	2/2013	Sutherland et al.	D15/199

(21) Appl. No.: **29/492,806**

(22) Filed: **Jun. 3, 2014**

* cited by examiner

(30) **Foreign Application Priority Data**

Primary Examiner — Patricia Palasik

Dec. 5, 2013 (KR) 30-2013-0061344

(74) *Attorney, Agent, or Firm* — LRK Patent Law Firm

(51) **LOC (10) Cl.** **15-99**

(57) **CLAIM**

(52) **U.S. Cl.**

The ornamental design for a robot for tablet PC, as shown and described.

USPC **D15/199**; D21/578

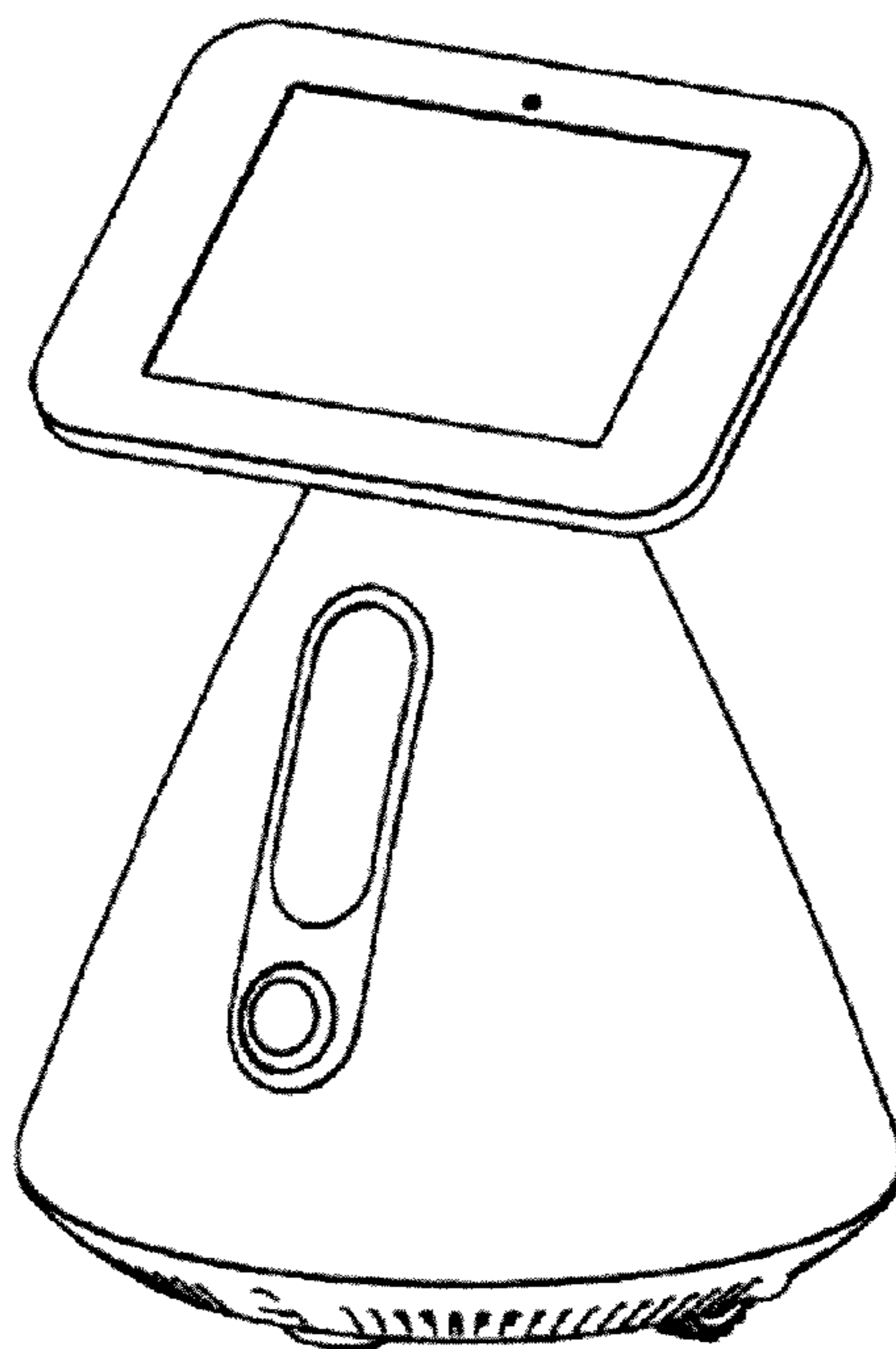
(58) **Field of Classification Search**

DESCRIPTION

CPC A63H 29/22; A63H 13/06; A63H 11/00;
A63H 30/04; B25J 9/1664; B25J 9/1671;
B25J 9/1694; B25J 11/005; B25J 13/003;
B25J 9/1697; G05B 15/00; G05B 2219/37555;
G05B 2219/45108; G05B 2219/40099
USPC D14/371; D15/199; D21/578-583, 621,
D21/622; 74/490.01, 490.02, 490.03,
74/490.05; 198/370.1, 370.04, 722, 771,
198/782, 866, 890; 219/124.34, 639;
318/560, 568.11, 568.12, 568.2;

FIG. 1 is a perspective view of the robot for tablet PC of my new design;
FIG. 2 is a front elevational view thereof;
FIG. 3 is a rear elevational view thereof;
FIG. 4 is a left side elevational view thereof;
FIG. 5 is a right side elevational view thereof; and,
FIG. 6 is a top plan view thereof.

1 Claim, 6 Drawing Sheets



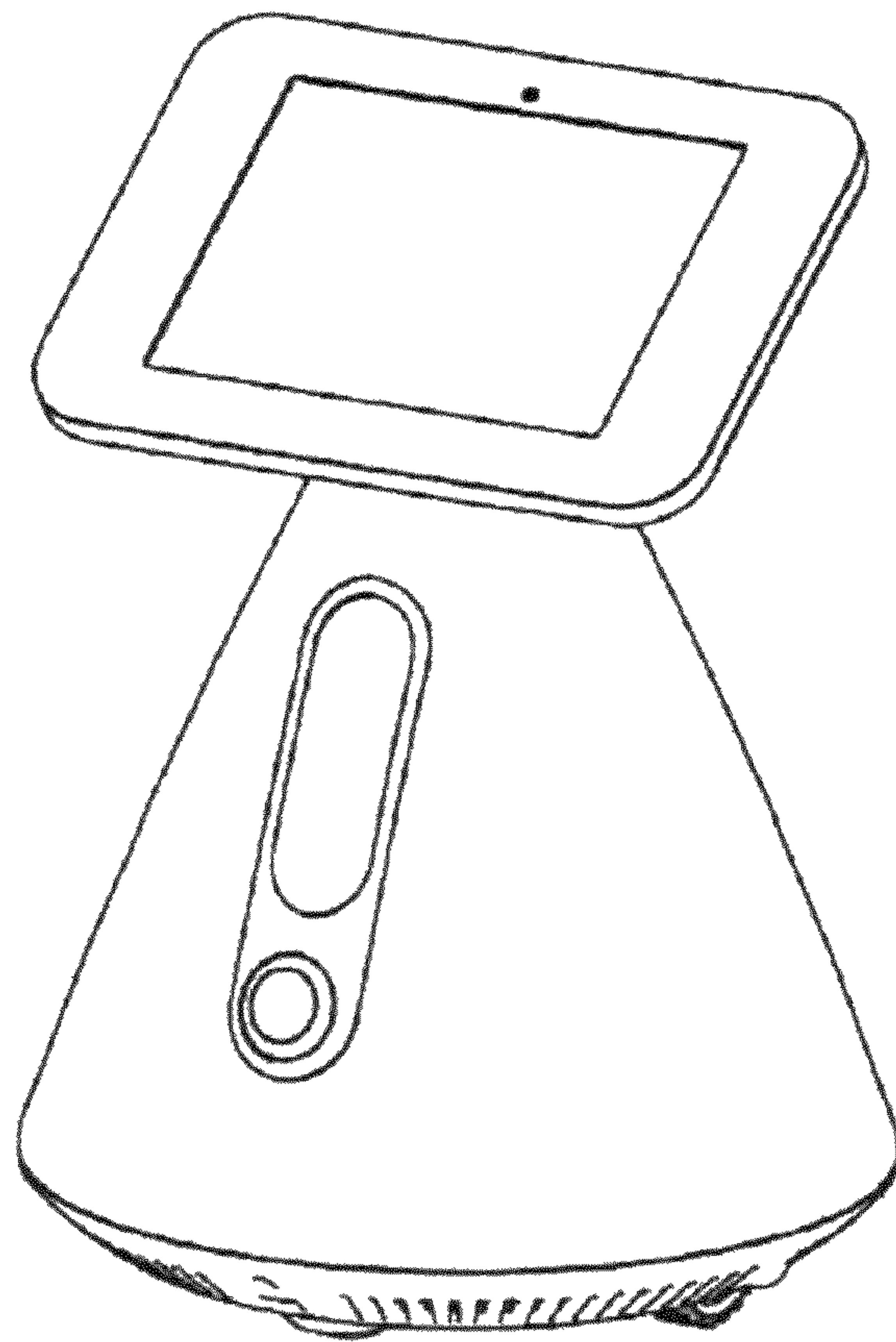


FIG. 1

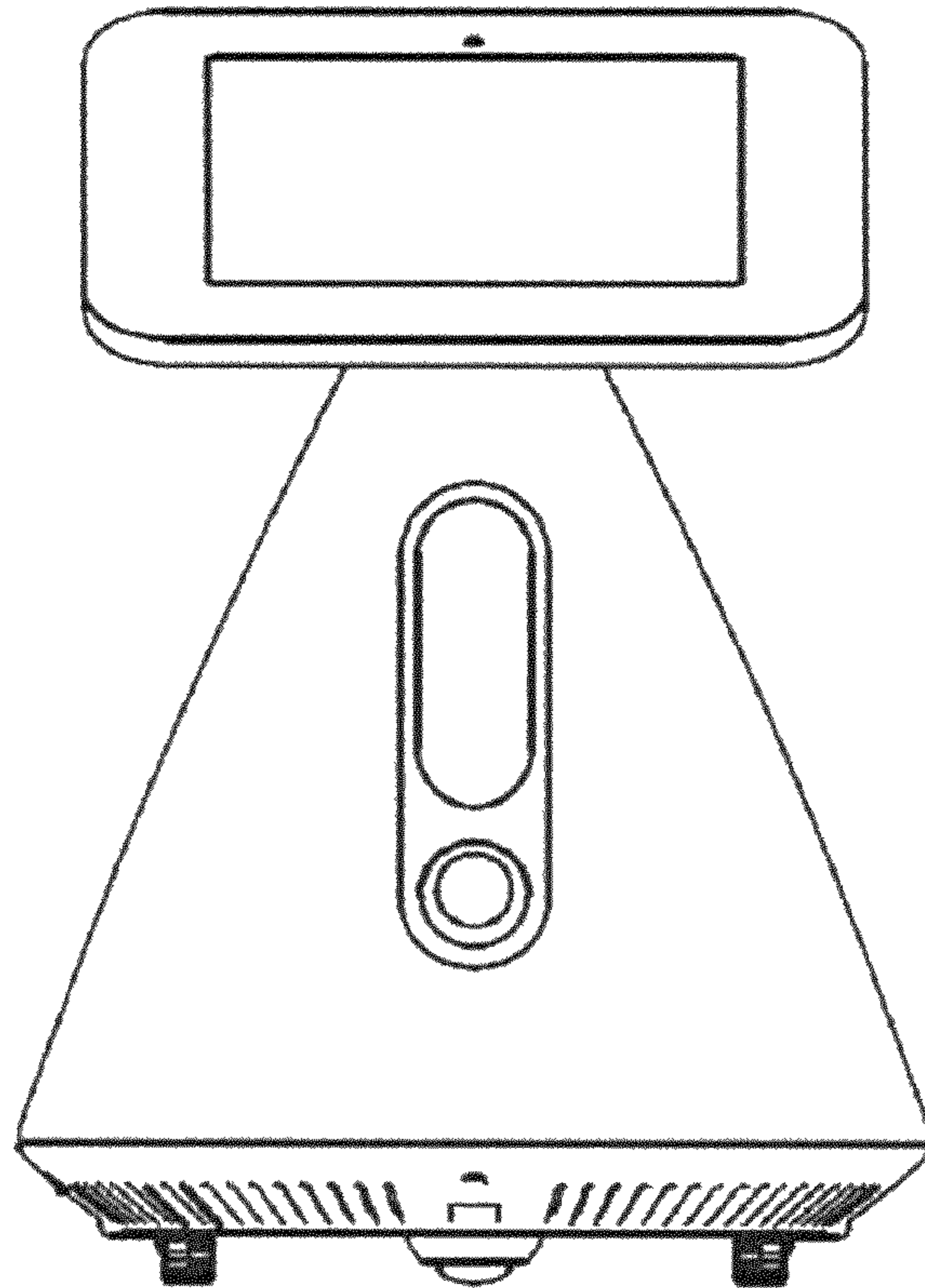


FIG. 2

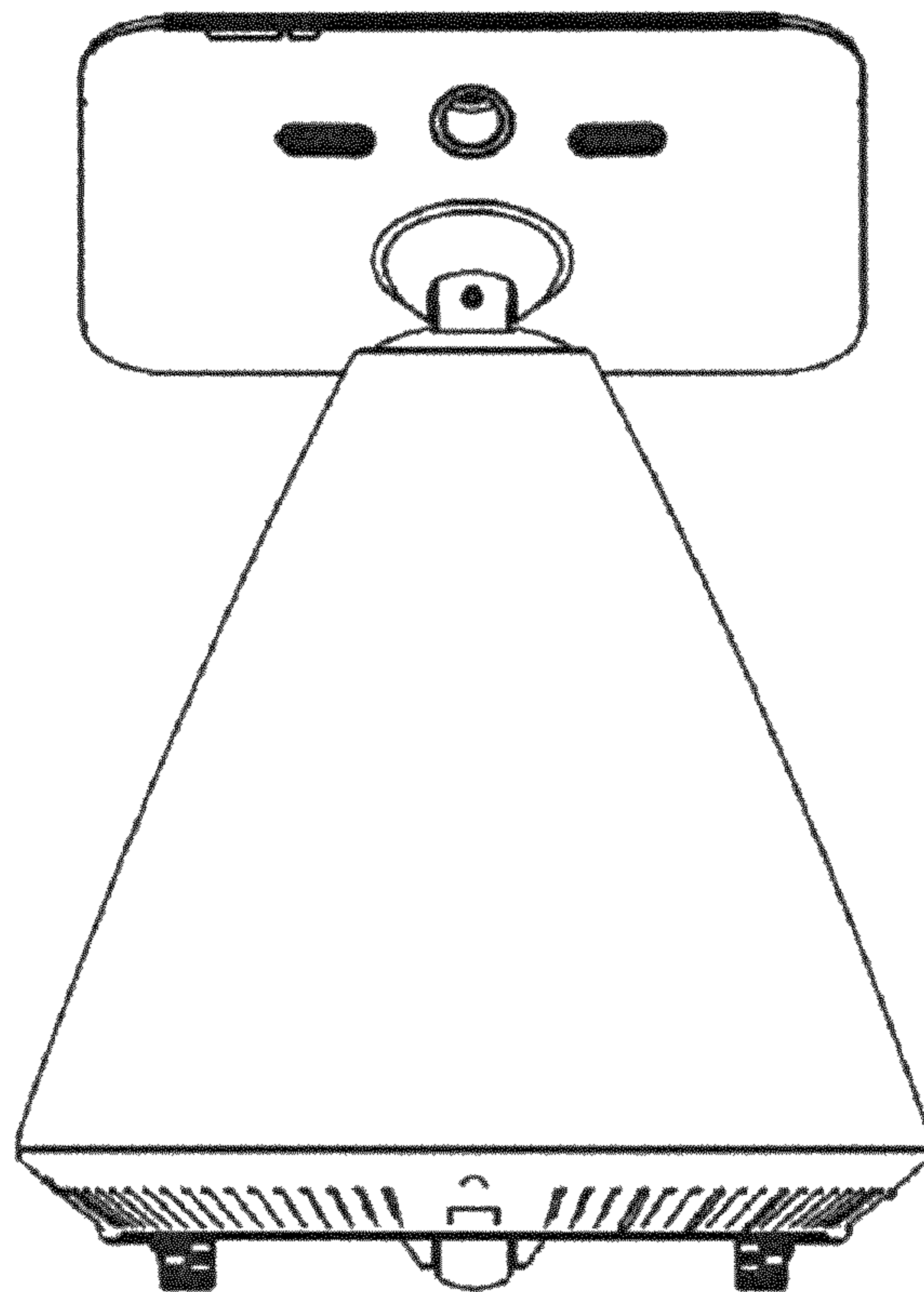


FIG. 3

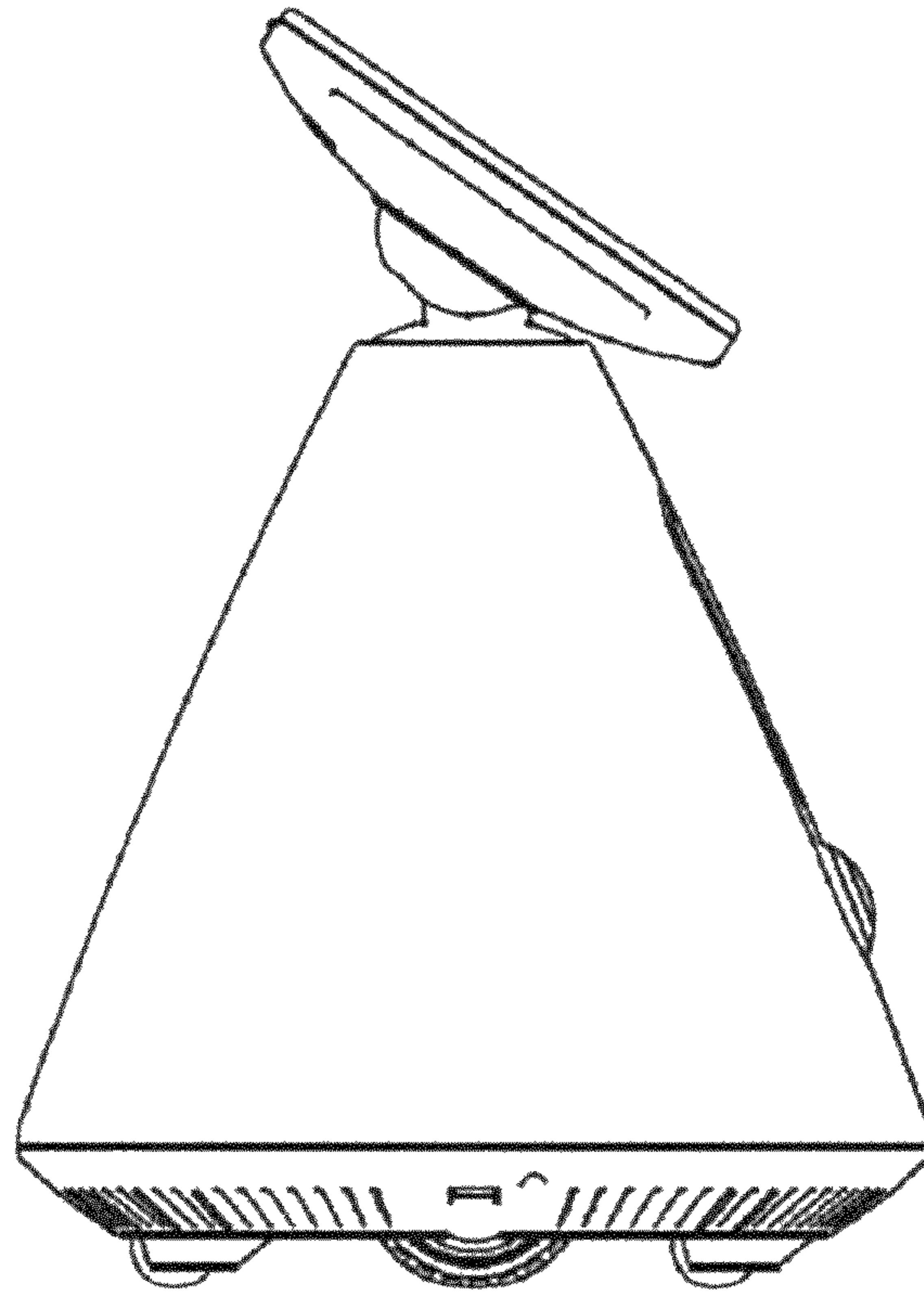


FIG. 4

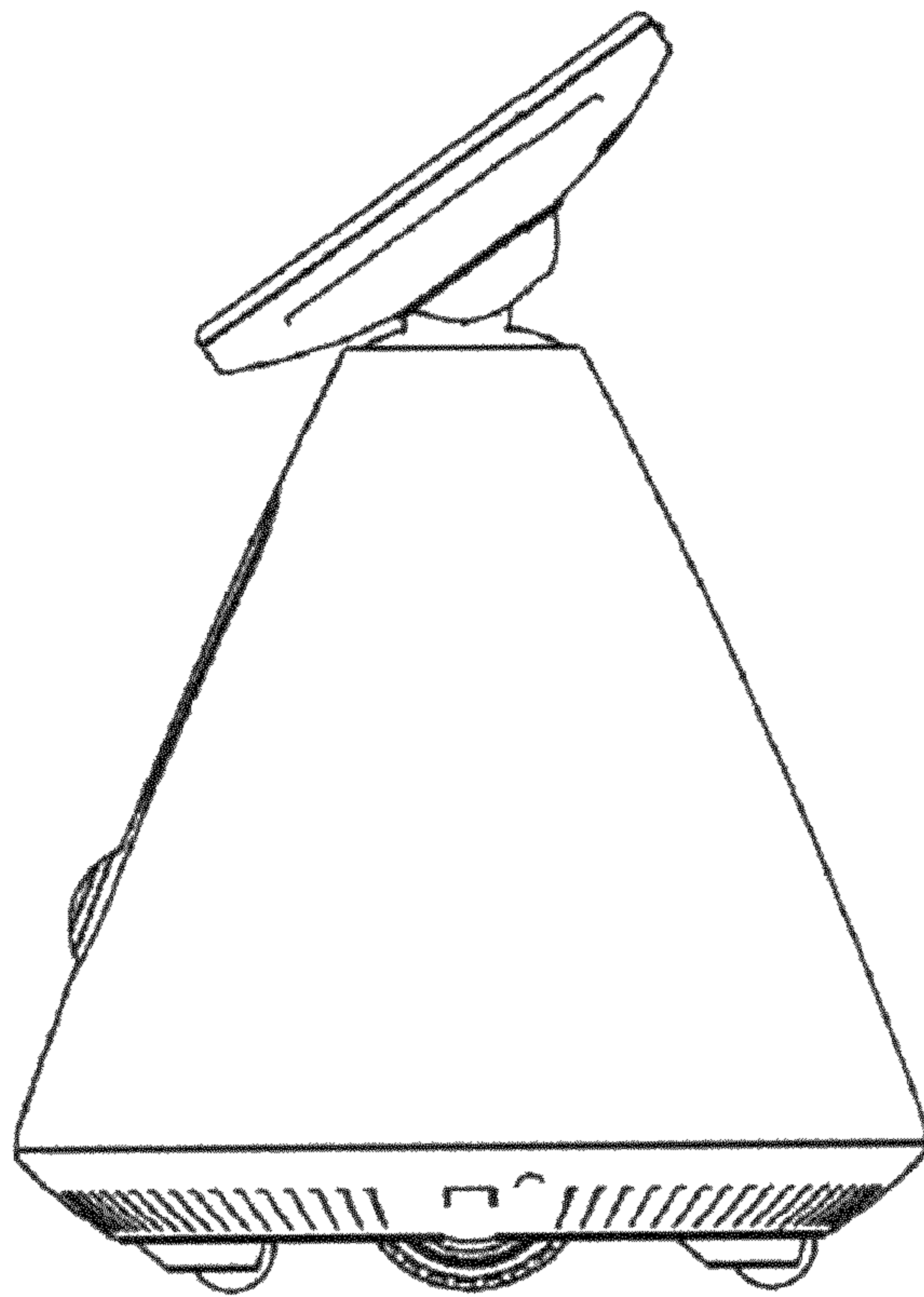


FIG. 5

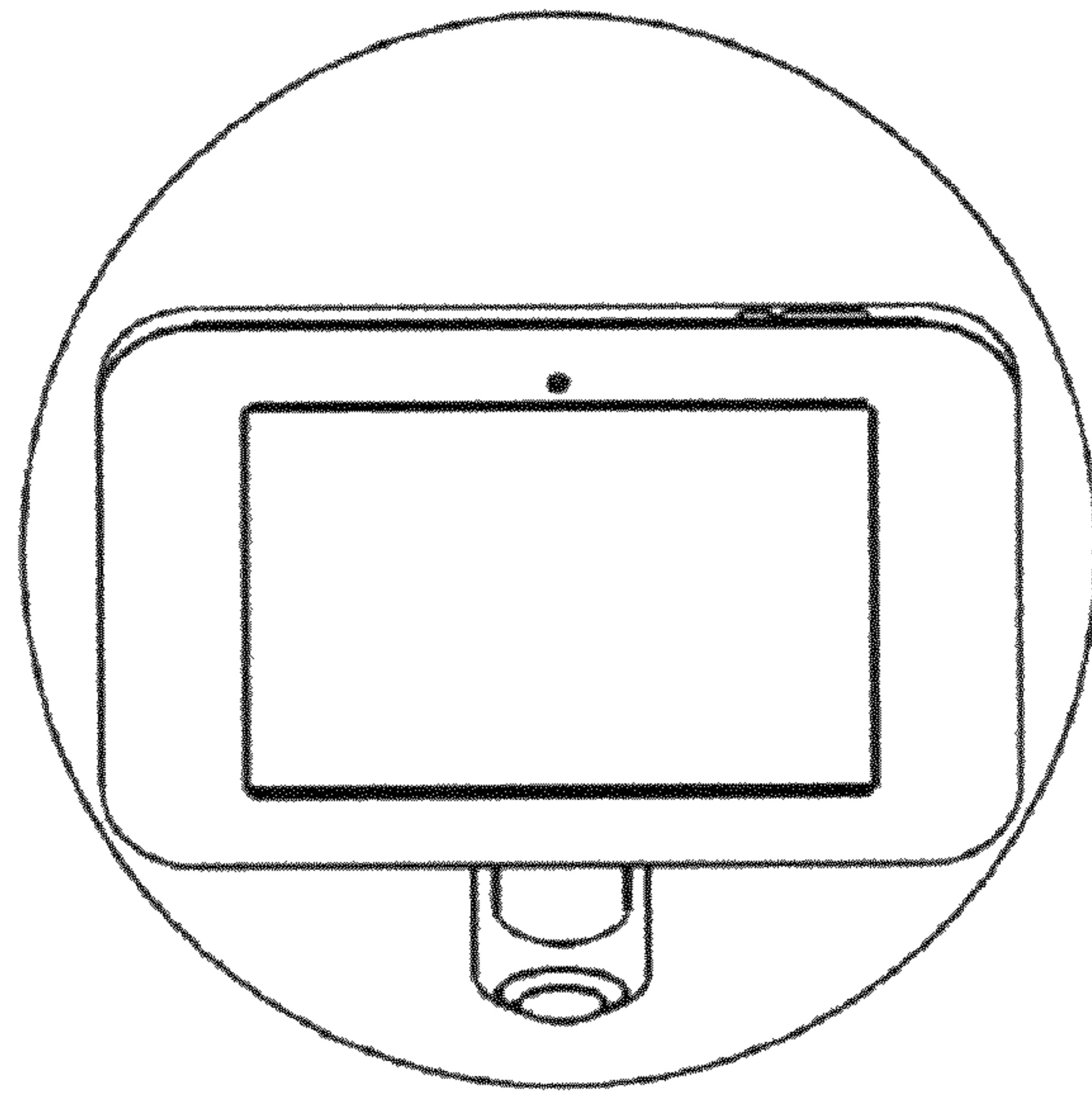


FIG. 6