



US00D725165S

(12) **United States Design Patent**  
**Guenther**

(10) **Patent No.:** **US D725,165 S**  
(45) **Date of Patent:** **\*\* Mar. 24, 2015**

(54) **POULTRY RAKE**  
(71) Applicant: **Lonn, Inc.**, Indianapolis, IN (US)  
(72) Inventor: **Scott Guenther**, Fishers, IN (US)  
(73) Assignee: **Lonn Manufacturing Co., Inc.**,  
Indianapolis, IN (US)

(\*\*) Term: **14 Years**

(21) Appl. No.: **29/455,653**

(22) Filed: **May 23, 2013**

(51) **LOC (10) Cl.** ..... **15-99**

(52) **U.S. Cl.**  
USPC ..... **D15/199**

(58) **Field of Classification Search**  
USPC ..... D7/699; D15/199; 452/118, 122  
See application file for complete search history.

(56) **References Cited**

**U.S. PATENT DOCUMENTS**

1,299,084	A *	4/1919	Wilson	.....	452/120
1,984,562	A *	12/1934	Ashby	.....	452/117
2,423,299	A *	7/1947	Davis	.....	452/116
2,795,817	A *	6/1957	Dahlberg	.....	452/116
3,147,513	A *	9/1964	Schneider et al.	.....	452/122
3,879,803	A *	4/1975	Verbakel	.....	452/117
4,185,359	A *	1/1980	Niccols	.....	452/106
4,610,050	A *	9/1986	Tieleman et al.	.....	452/117
5,152,715	A *	10/1992	van de Eerden et al.	.....	452/106
5,186,679	A *	2/1993	Meyn	.....	452/117
5,549,521	A *	8/1996	van den Nieuwelaar et al.	.....	452/118

5,713,786	A *	2/1998	Kikstra	.....	452/118
5,873,774	A *	2/1999	Tieleman et al.	.....	452/116
5,993,308	A *	11/1999	Martin et al.	.....	452/177
6,093,093	A *	7/2000	Mostoller et al.	.....	452/173
6,210,263	B1 *	4/2001	Meyer	.....	452/120
6,328,645	B1 *	12/2001	Martin et al.	.....	452/122
6,599,179	B1 *	7/2003	Hazenbroek et al.	.....	452/117
6,811,478	B2 *	11/2004	van den Nieuwelaar et al.	.....	452/117
6,887,145	B2 *	5/2005	Howe et al.	.....	452/81
7,425,173	B2 *	9/2008	Tieleman et al.	.....	452/117
7,500,910	B2 *	3/2009	Sorensen et al.	.....	452/117
7,976,367	B2 *	7/2011	Sorensen et al.	.....	452/118
8,821,222	B2 *	9/2014	Van De Nieuwelaar et al.	.....	452/117

\* cited by examiner

*Primary Examiner* — Patricia Palasik

(74) *Attorney, Agent, or Firm* — Woodard, Emhardt,  
Moriarty, McNett & Henry LLP

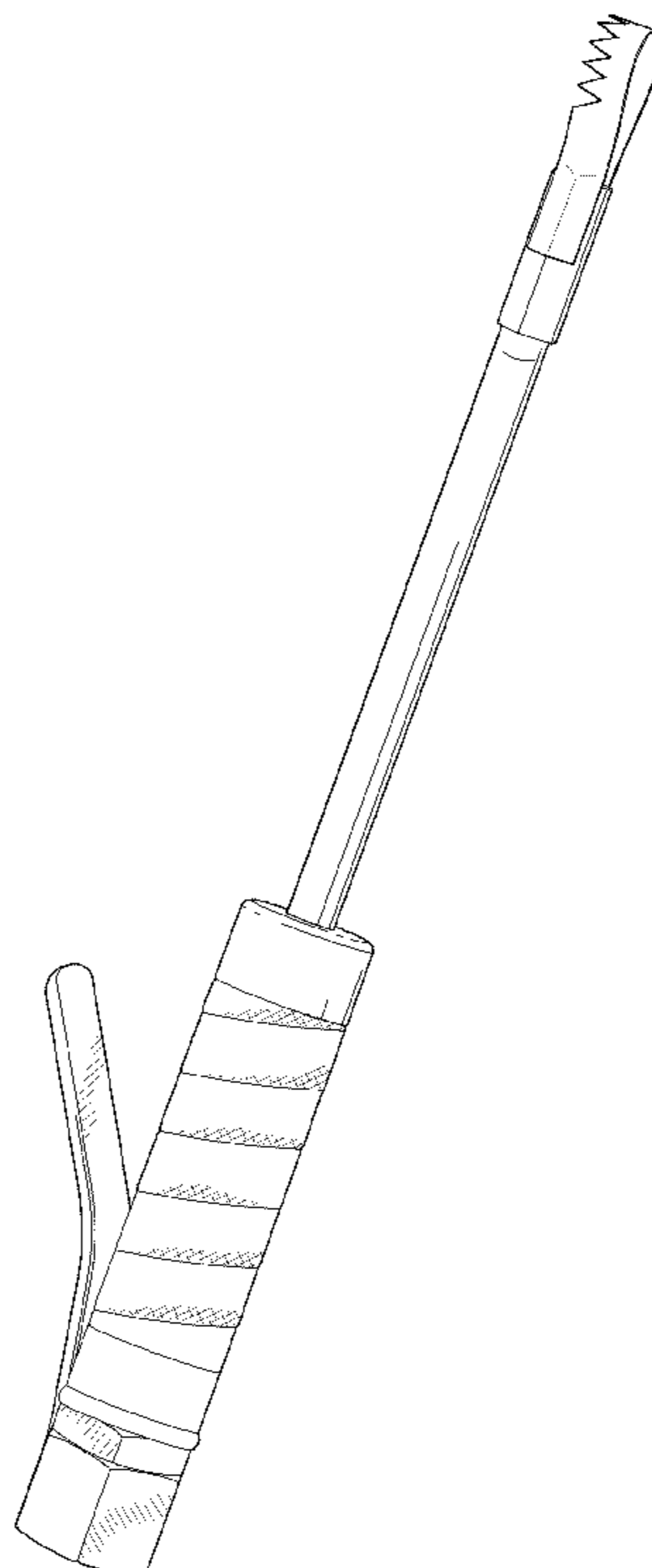
(57) **CLAIM**

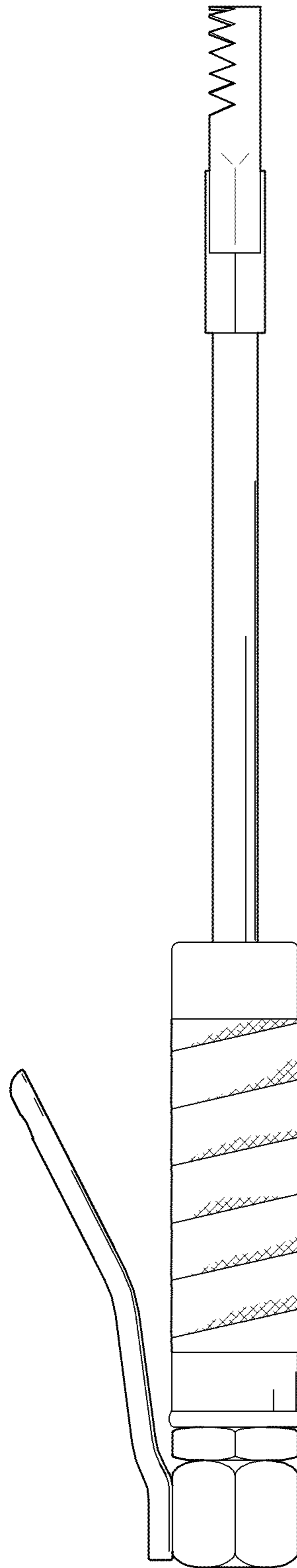
The ornamental design for a poultry rake, as shown and described.

**DESCRIPTION**

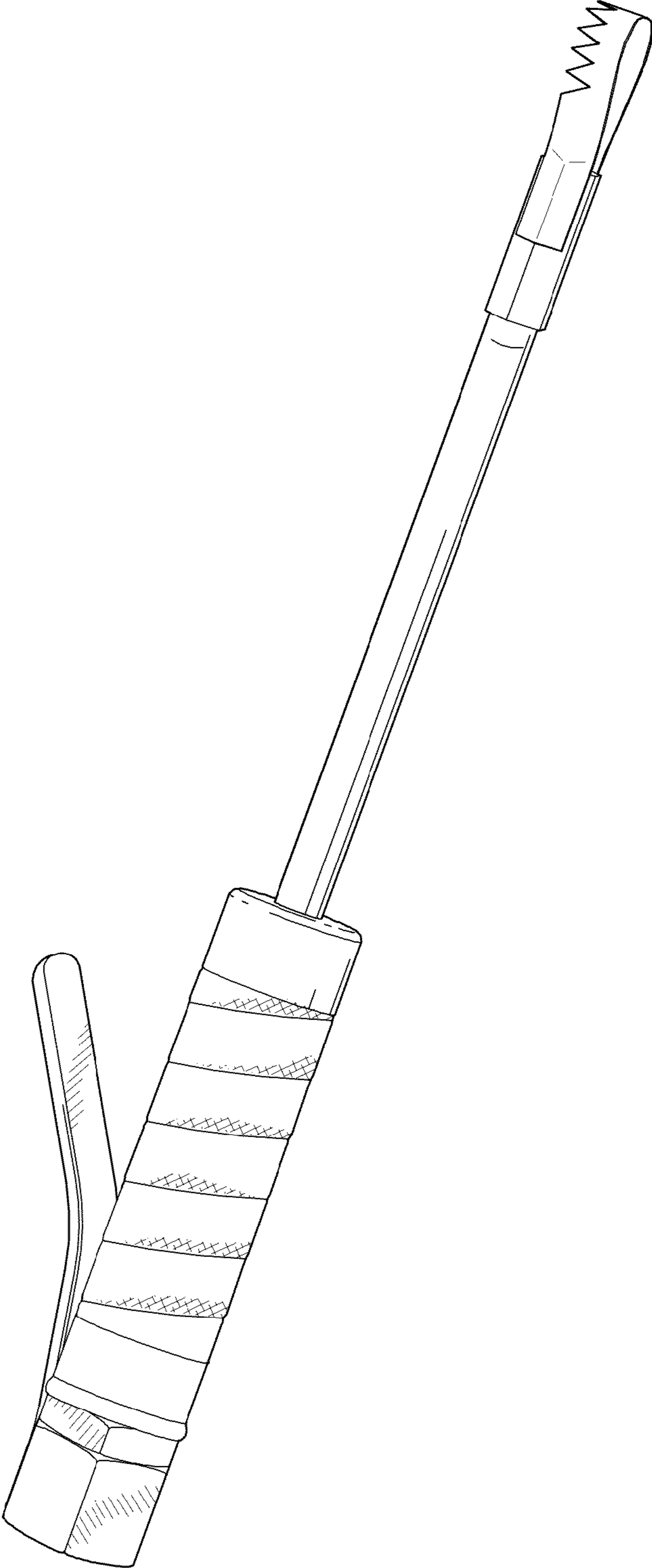
FIG. 1 is a left side view of a poultry rake showing my new design;  
FIG. 2 is a perspective view thereof;  
FIG. 3 is a right side view thereof;  
FIG. 4 is a top view thereof;  
FIG. 5 is a bottom view thereof;  
FIG. 6 is a rear view thereof; and,  
FIG. 7 is a front view thereof.

**1 Claim, 4 Drawing Sheets**

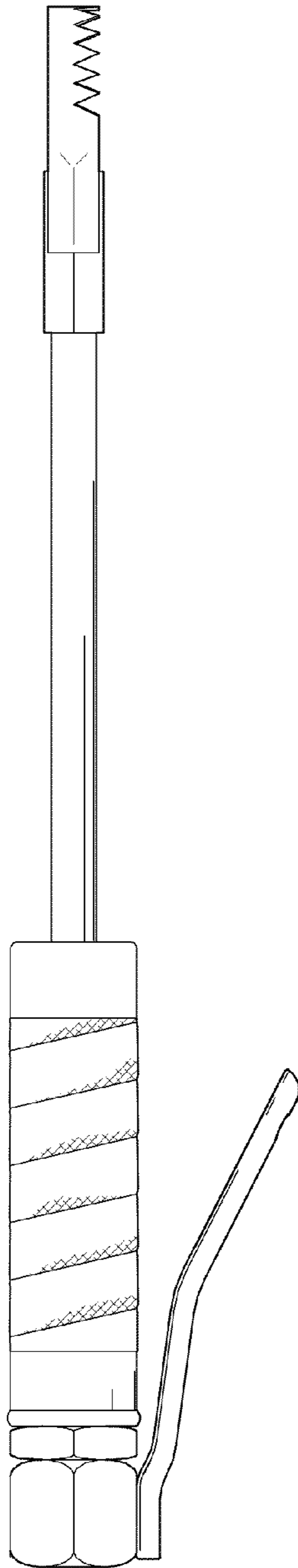




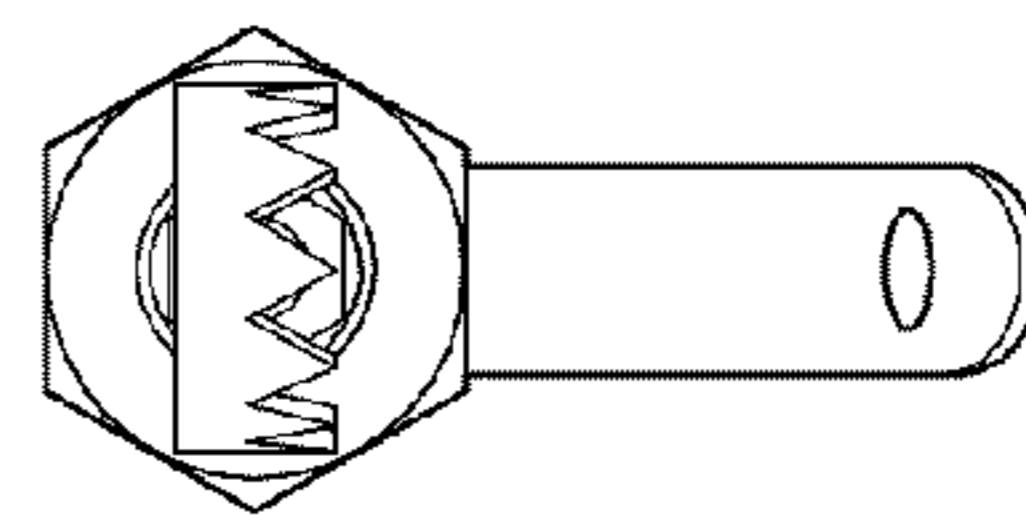
**Fig. 1**



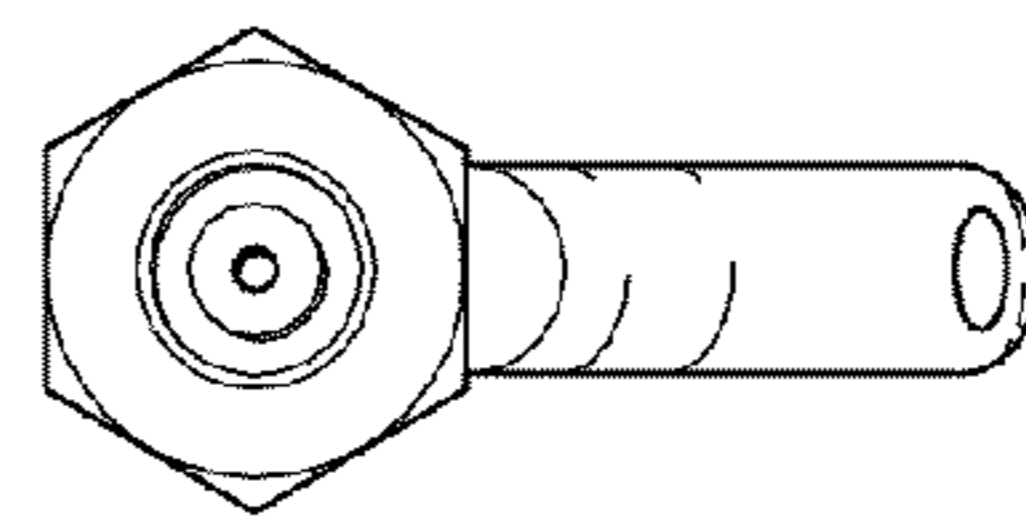
**Fig. 2**



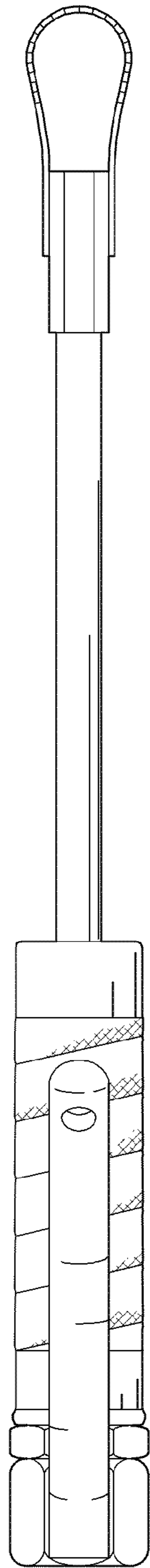
**Fig. 3**



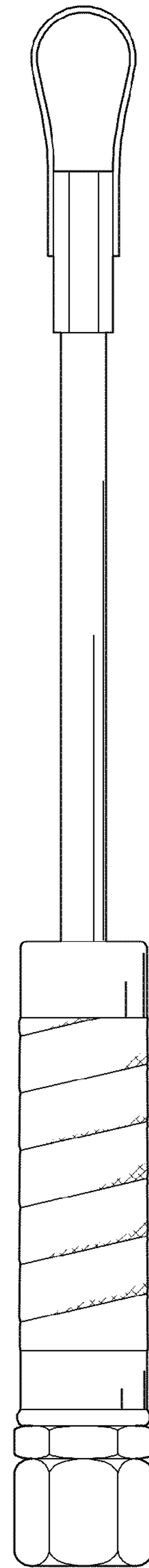
**Fig. 4**



**Fig. 5**



**Fig. 6**



**Fig. 7**