



US00D725164S

(12) **United States Design Patent**  
**Guerriero**

(10) **Patent No.:** **US D725,164 S**

(45) **Date of Patent:** **\*\* Mar. 24, 2015**

(54) **PERCUSSIVE DRILL BIT**

(71) Applicant: **Padley & Venables Limited**, Dronfield,  
Sheffield (GB)

(72) Inventor: **Pietro Guerriero**, Chesterfield (GB)

(73) Assignee: **Padley & Venables Limited**, Dronfield,  
Sheffield (GB)

(\*\*) Term: **14 Years**

(21) Appl. No.: **29/480,209**

(22) Filed: **Jan. 24, 2014**

(30) **Foreign Application Priority Data**

Jul. 25, 2013 (EM) ..... 001378947-0001

(51) **LOC (10) Cl.** ..... **15-09**

(52) **U.S. Cl.**  
USPC ..... **D15/139**

(58) **Field of Classification Search**  
USPC ..... D8/70, 71; D15/131, 132, 138, 139,  
D15/140; 76/102, 115; 83/845; 403/331,  
403/381; 407/9, 33, 34, 42, 54, 63, 110,  
407/113-115; 408/214, 215, 222, 223,  
408/226-230; 433/72, 165; 470/198;  
606/80

See application file for complete search history.

(56) **References Cited**

**U.S. PATENT DOCUMENTS**

4,397,361 A 8/1983 Langford, Jr.  
4,919,221 A \* 4/1990 Pascale ..... 175/415  
5,025,875 A 6/1991 Witt  
5,366,032 A \* 11/1994 Kay ..... 175/393  
6,276,467 B1 \* 8/2001 Ingmarsson ..... 175/415  
D454,143 S 3/2002 Asberg  
6,658,968 B2 \* 12/2003 Linden et al. .... 76/108.2  
D496,948 S \* 10/2004 Charland et al. .... D15/139  
D504,141 S \* 4/2005 Charland et al. .... D15/139

7,117,939 B1 \* 10/2006 Hawley et al. .... 166/99  
D574,403 S \* 8/2008 Brady ..... D15/139  
D611,512 S \* 3/2010 Sundin ..... D15/139  
D611,970 S \* 3/2010 Sundin ..... D15/139  
D705,827 S \* 5/2014 Hammargren et al. .... D15/139  
8,800,690 B2 \* 8/2014 Lyon et al. .... 175/296  
2004/0188146 A1 \* 9/2004 Egerstrom ..... 175/296

(Continued)

**FOREIGN PATENT DOCUMENTS**

EM 000219829-0001 8/2004  
EM 000885256-0001 2/2008

(Continued)

**OTHER PUBLICATIONS**

Padley & Venables Part No. 471507, Button Bit 51 mm R32 Thread  
Paraboloid, Oct. 29, 2002.

(Continued)

*Primary Examiner* — Patricia Palasik

(74) *Attorney, Agent, or Firm* — Richard M. Goldberg

(57) **CLAIM**

The ornamental design for a percussive drill bit, as shown and  
described.

**DESCRIPTION**

FIG. 1 is a front perspective view of the percussive drill bit of  
my design;

FIG. 2 is a rear perspective view thereof;

FIG. 3 is a left side elevational view thereof;

FIG. 4 is a right side elevational view thereof;

FIG. 5 is a top plan view thereof;

FIG. 6 is a bottom plan view thereof;

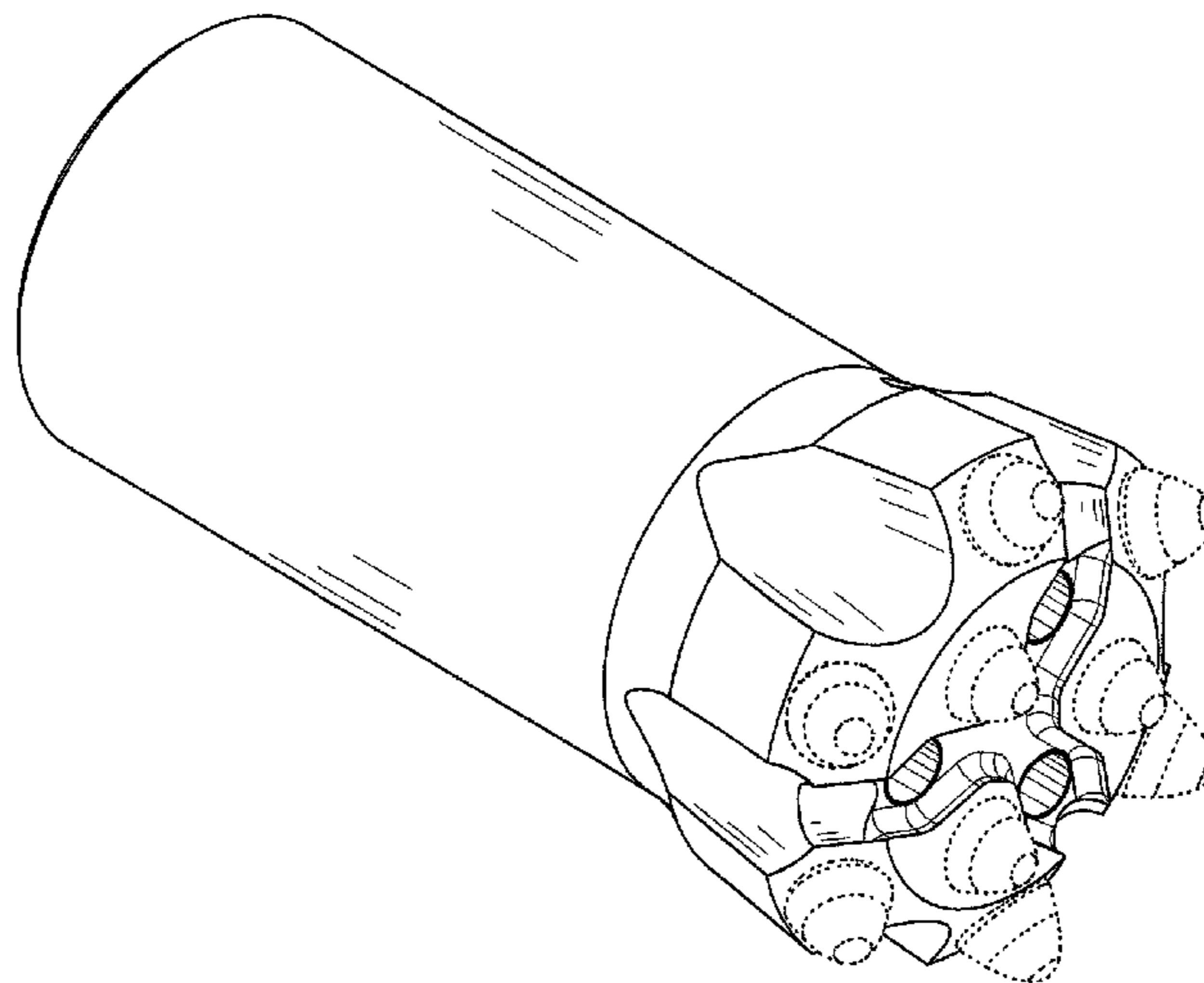
FIG. 7 is a front elevational view thereof; and,

FIG. 8 is a rear elevational view thereof.

The buttons in dashed lines do not form part of the invention.

The broken lines in the drawings depict unclaimed environ-  
mental subject matter.

**1 Claim, 7 Drawing Sheets**



# US D725,164 S

Page 2

---

(56)

## References Cited

### U.S. PATENT DOCUMENTS

2008/0087473 A1\* 4/2008 Hall et al. .... 175/414  
2012/0186883 A1\* 7/2012 Purcell ..... 175/296

### FOREIGN PATENT DOCUMENTS

EM 000885264-0001 2/2008  
EM 000885264-0002 2/2008

EM 001158612-0001 8/2009  
EM 001158612-0002 8/2009  
EM 001351043-0001 11/2012

### OTHER PUBLICATIONS

Padley & Venables Part No. 472554, Button Bit 64 mm P28 Thread  
Drop Centre Ballistic, Jul. 19, 1996.

\* cited by examiner

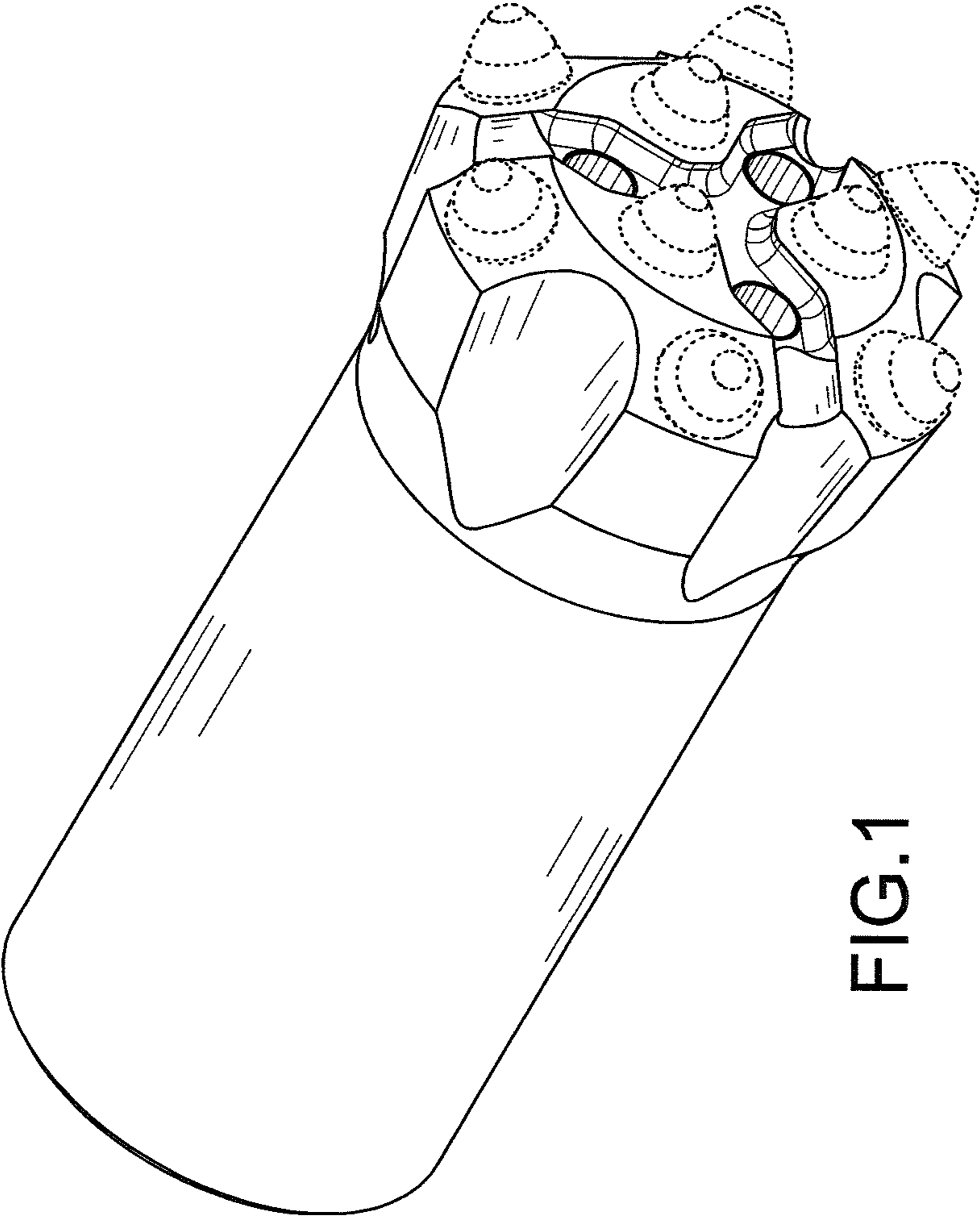


FIG. 1

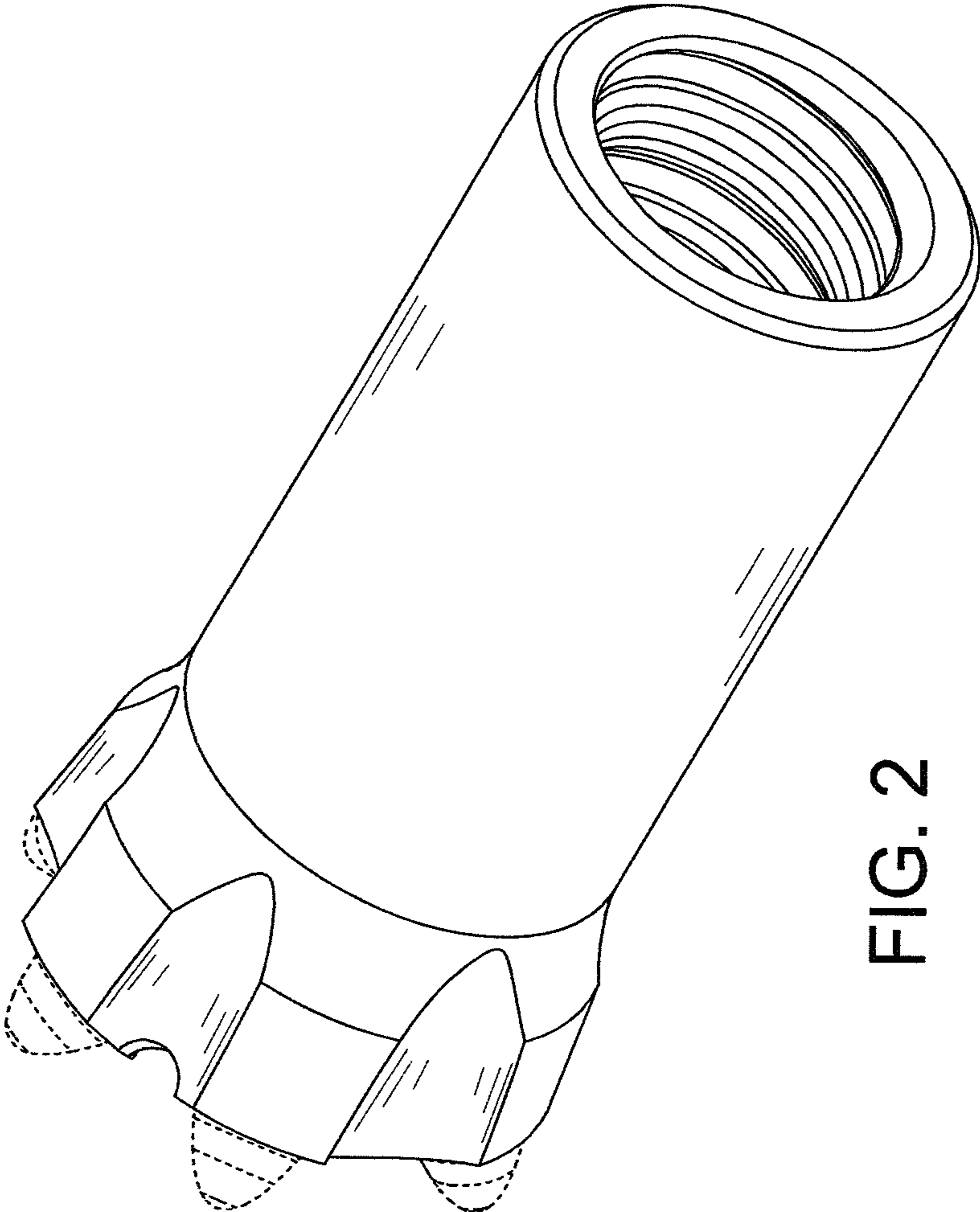


FIG. 2

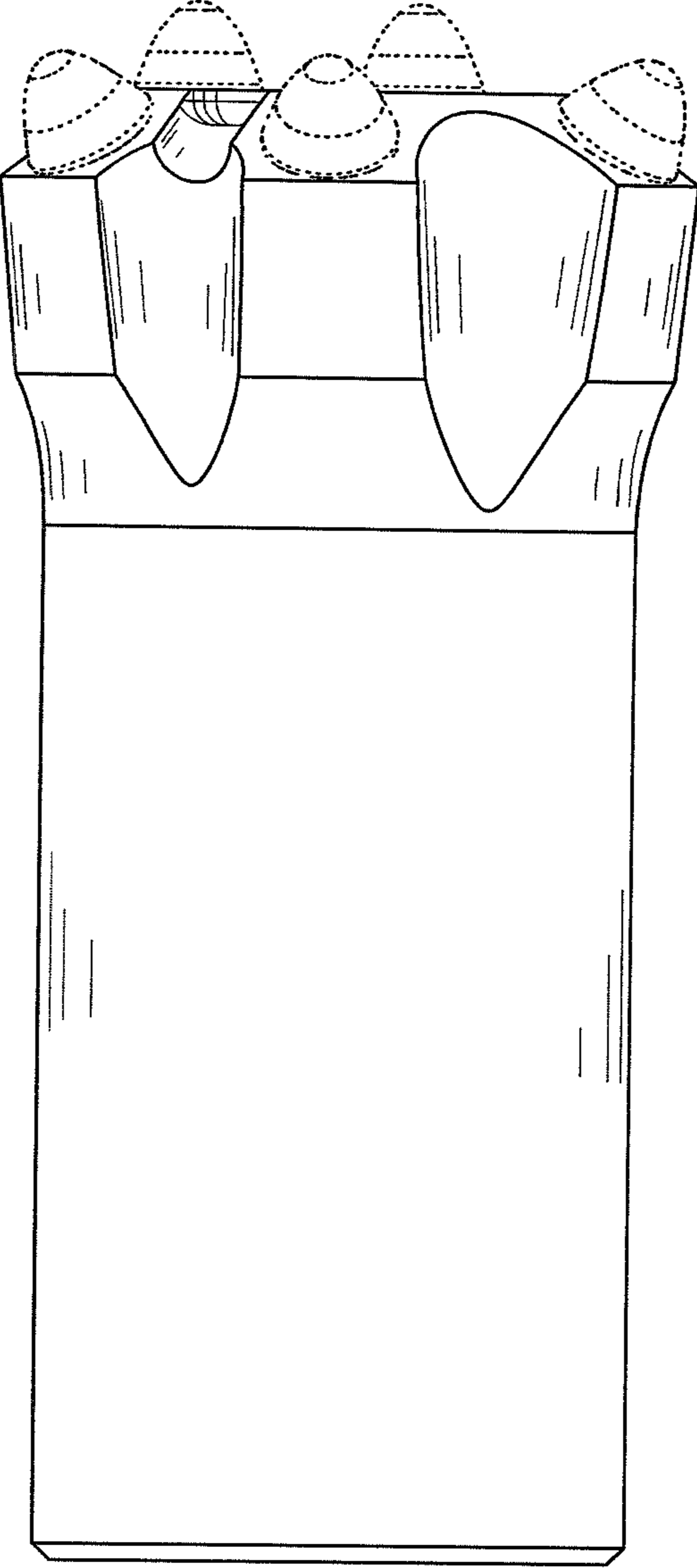


FIG. 3

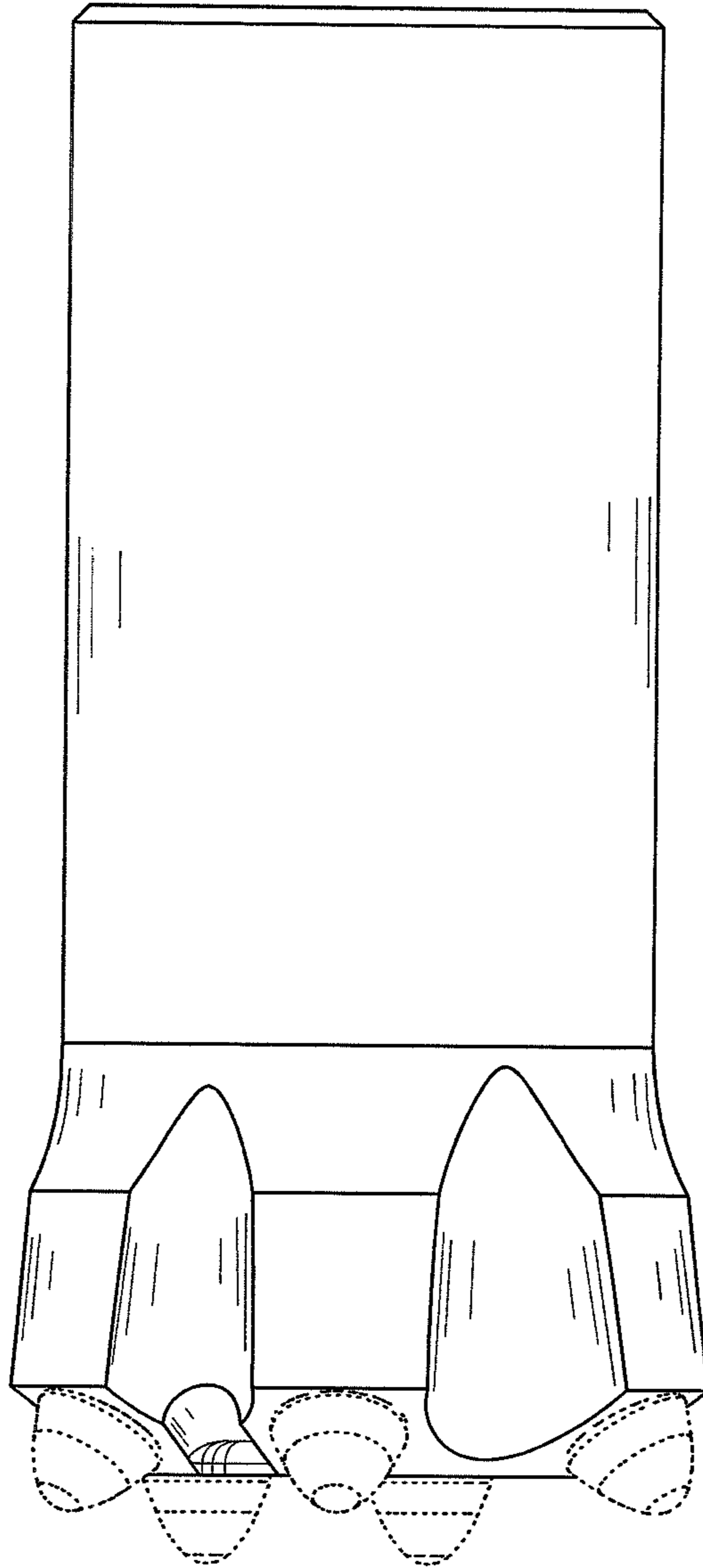


FIG. 4

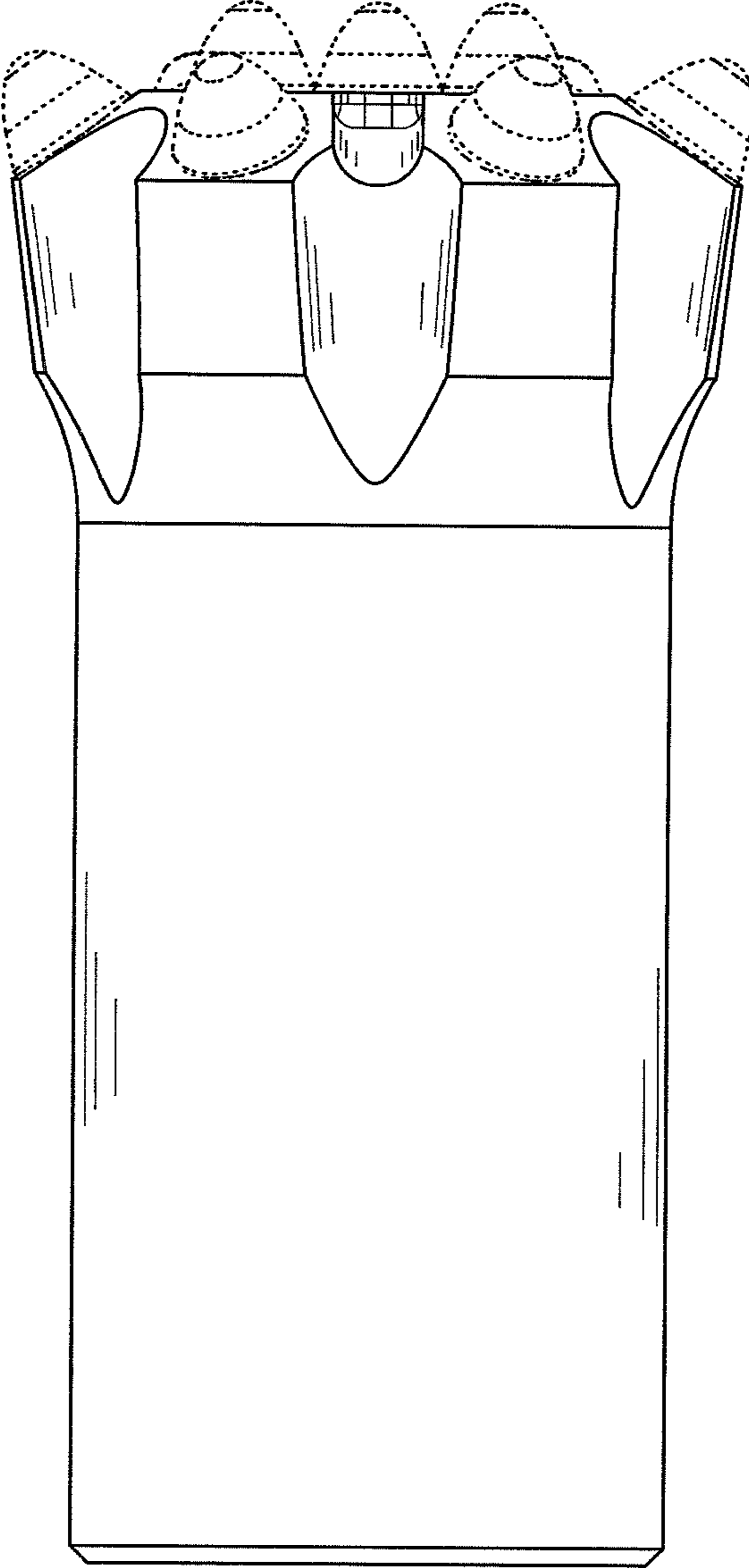


FIG. 5

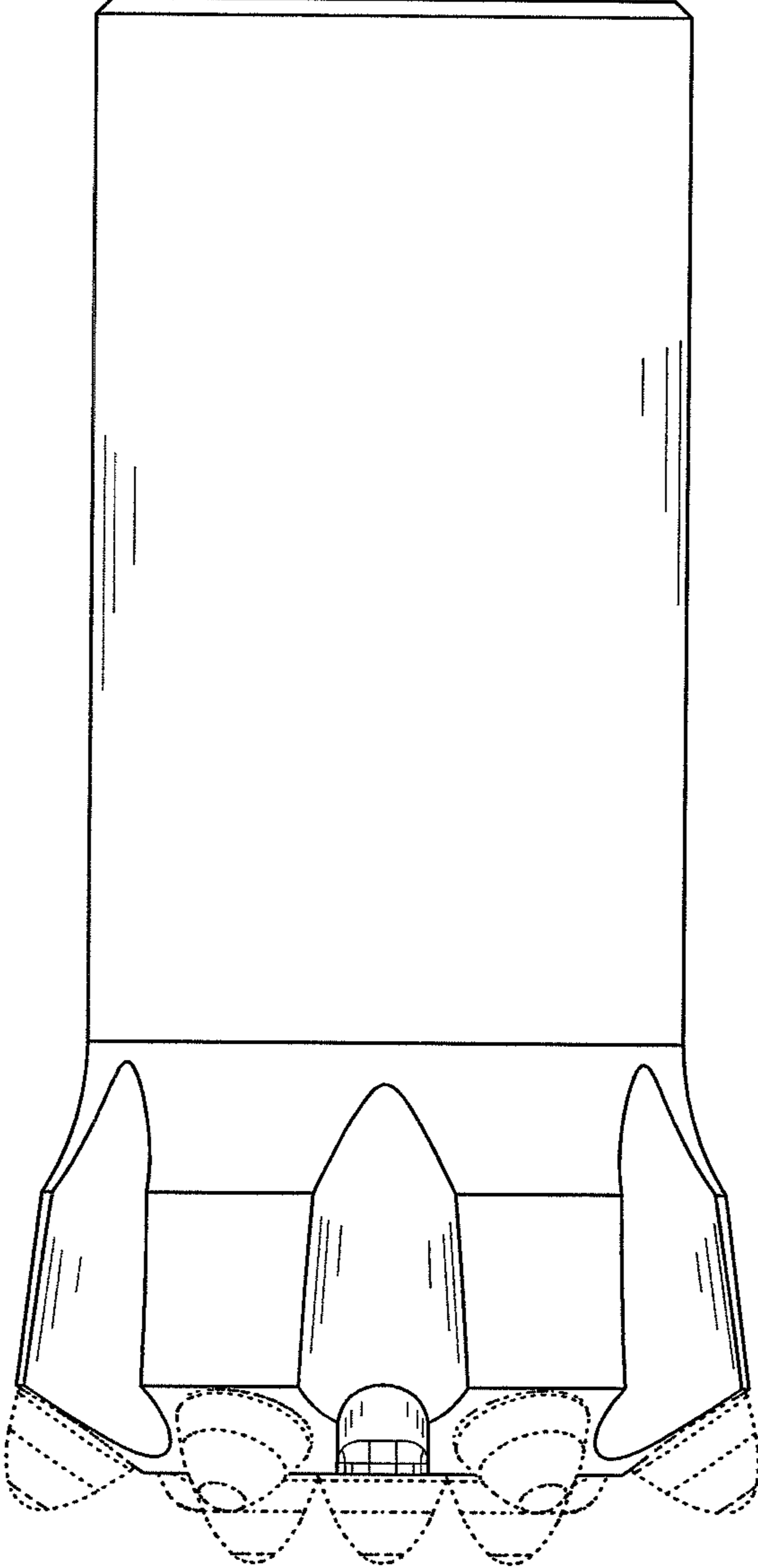


FIG. 6



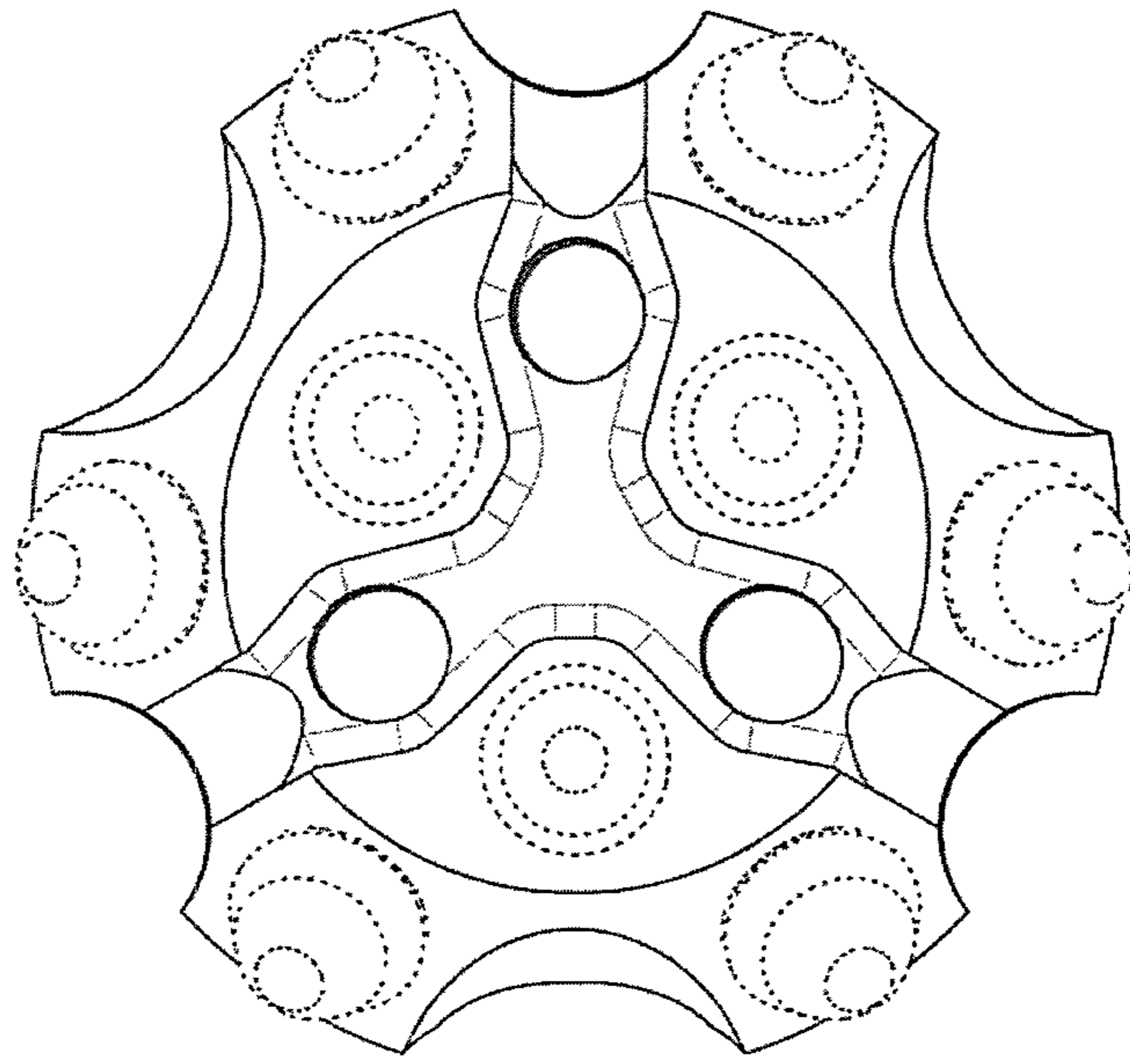


FIG. 7

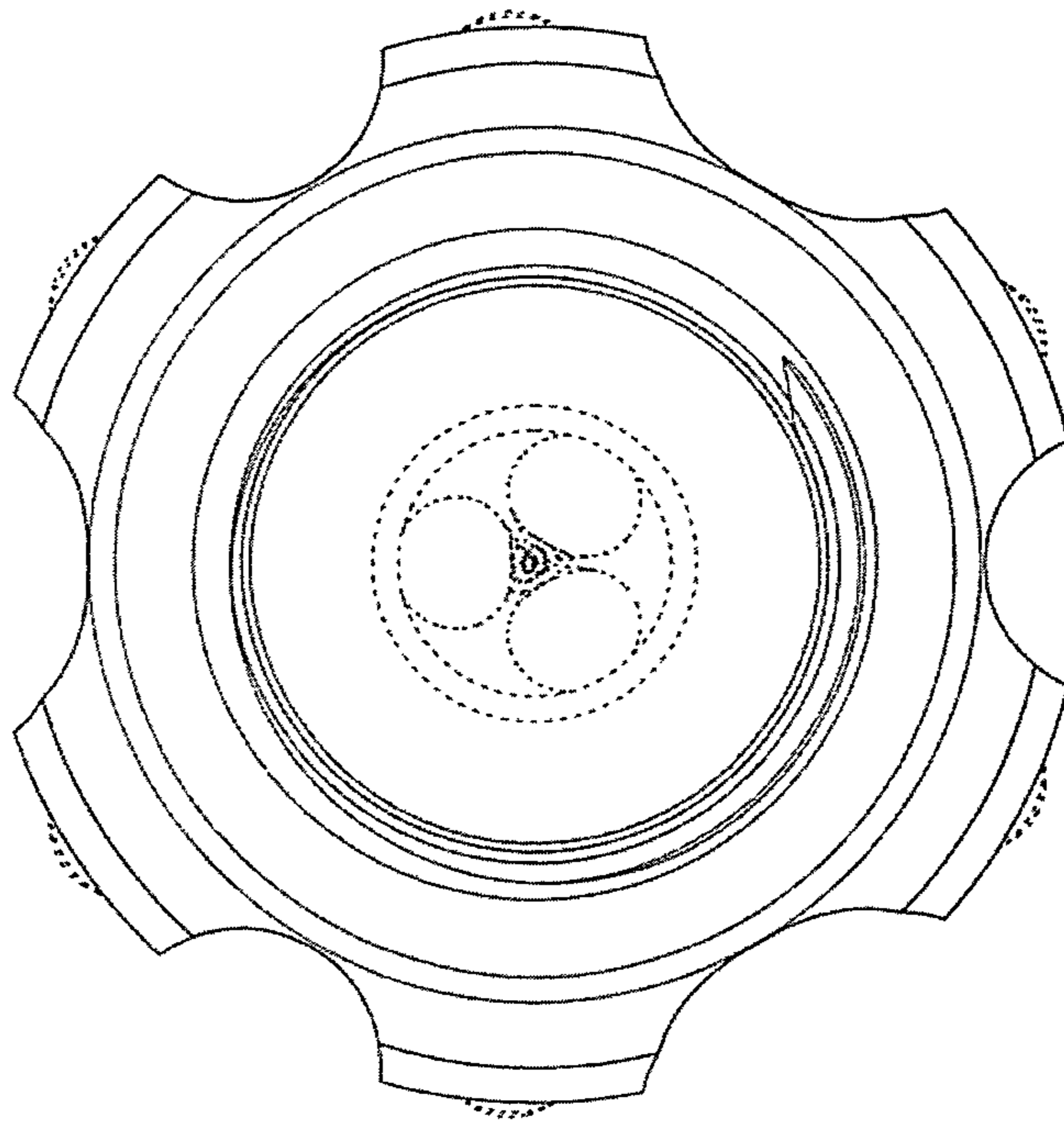


FIG. 8