

US00D725163S

(12) **United States Design Patent**
Ackley et al.

(10) **Patent No.:** **US D725,163 S**
(45) **Date of Patent:** **** Mar. 24, 2015**

- (54) **CARRIER BAR**
- (71) Applicant: **Ackley Machine Corporation**,
Moorestown, NJ (US)
- (72) Inventors: **E. Michael Ackley**, Mannington, NJ
(US); **Vincent M. Deluccia, Jr.**,
Riverside, NJ (US)
- (73) Assignee: **Ackley Machine Corporation**,
Moorestown, NJ (US)

7,102,741	B2	9/2006	Ackley, Jr. et al.	
D543,103	S	5/2007	Roche et al.	
7,456,946	B2	11/2008	Ackley	
D603,885	S	11/2009	Ackley, Jr.	
8,072,590	B2	12/2011	Ackley, Jr. et al.	
8,141,697	B2	3/2012	Ackley, Jr.	
D656,972	S	4/2012	Ackley	
8,220,619	B2	7/2012	Ackley	
D713,866	S *	9/2014	Ackley et al.	D15/138
2008/0047803	A1	2/2008	Ackley, Jr.	
2010/0252401	A1 *	10/2010	Ackley, Jr.	198/617
2013/0277171	A1	10/2013	Ackley et al.	

- (**) Term: **14 Years**
- (21) Appl. No.: **29/501,422**
- (22) Filed: **Sep. 4, 2014**

Related U.S. Application Data

- (62) Division of application No. 29/418,591, filed on Apr. 18, 2012, now Pat. No. Des. 713,866.
- (51) **LOC (10) Cl.** **15-09**
- (52) **U.S. Cl.**
USPC **D15/138**
- (58) **Field of Classification Search**
USPC D6/515; D9/341, 761; D15/138, 145,
D15/199; D18/56
See application file for complete search history.

(56) **References Cited**

U.S. PATENT DOCUMENTS

3,655,110	A	4/1972	Eisenbach
3,884,143	A	5/1975	Ackley
4,632,028	A	12/1986	Ackley
5,836,243	A	11/1998	Ackley
D432,341	S	10/2000	Shimbo et al.
6,360,866	B1	3/2002	Chiba et al.
6,409,030	B1	6/2002	Schlemper
D463,977	S	10/2002	Castellanos et al.
D482,963	S	12/2003	Vincent et al.
6,834,581	B2	12/2004	Ackley

OTHER PUBLICATIONS

Parent; U.S. Appl. No. 29/418,591, filed Apr. 18, 2012; Ackley.

* cited by examiner

Primary Examiner — Patricia Palasik

(74) *Attorney, Agent, or Firm* — Nixon & Vanderhye P.C.

(57) **CLAIM**

The ornamental design for a carrier bar, as shown and described.

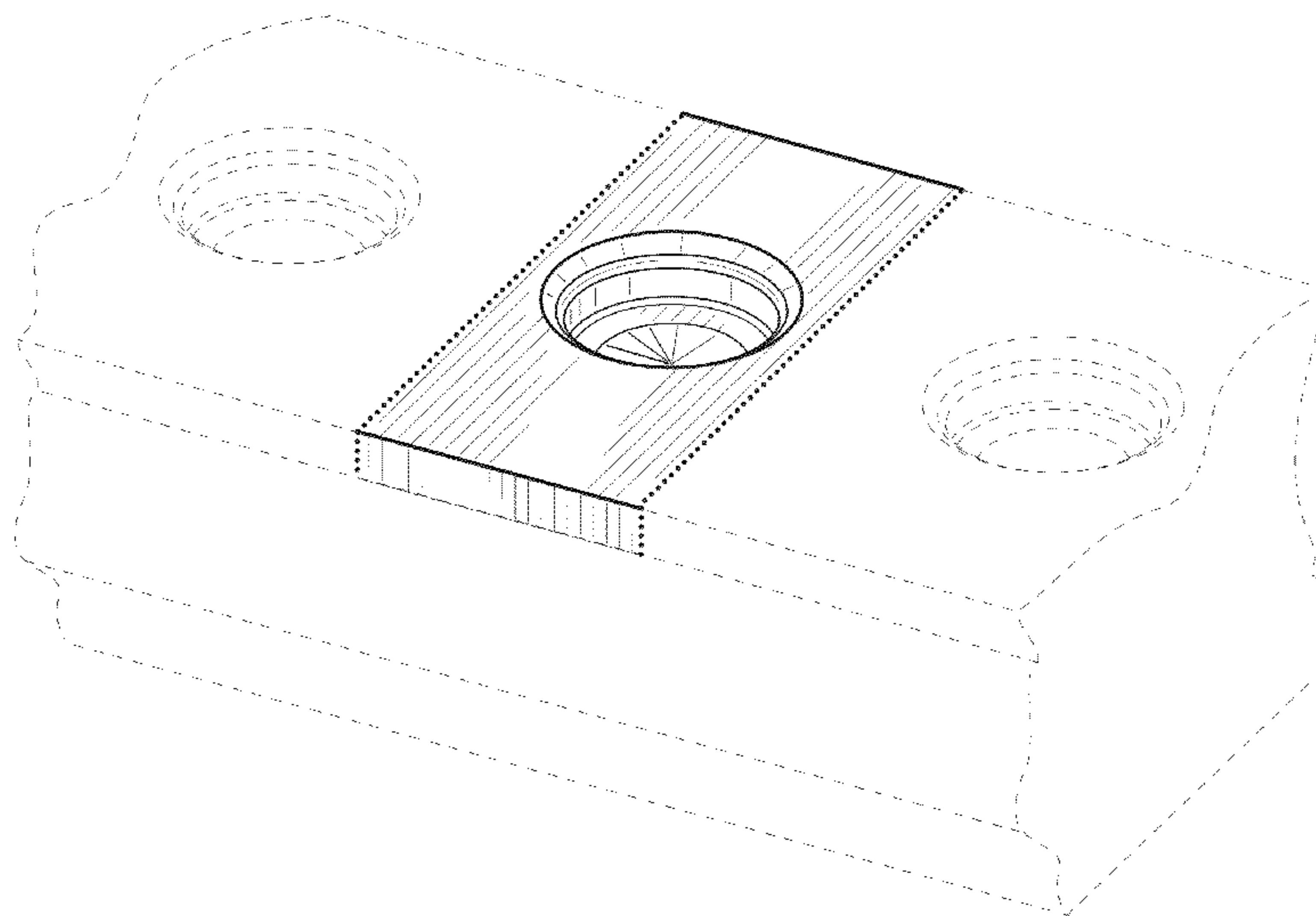
DESCRIPTION

FIG. 1 is an enlarged partial perspective view, from the top, of a carrier bar according to our new ornamental design; FIG. 2 is a top view thereof; FIG. 3 is a front view thereof, with the rear view being identical thereto; FIG. 4 is an enlarged cross section taken along lines 4-4 of FIG. 2; and, FIG. 5 is an enlarged cross section taken along lines 5-5 of FIG. 2.

The dotted lines represent the border between claimed and non-claimed subject matter and form no part of the claimed design.

The dashed lines represent environmental structure only and do not form a part of the claimed design.

1 Claim, 3 Drawing Sheets



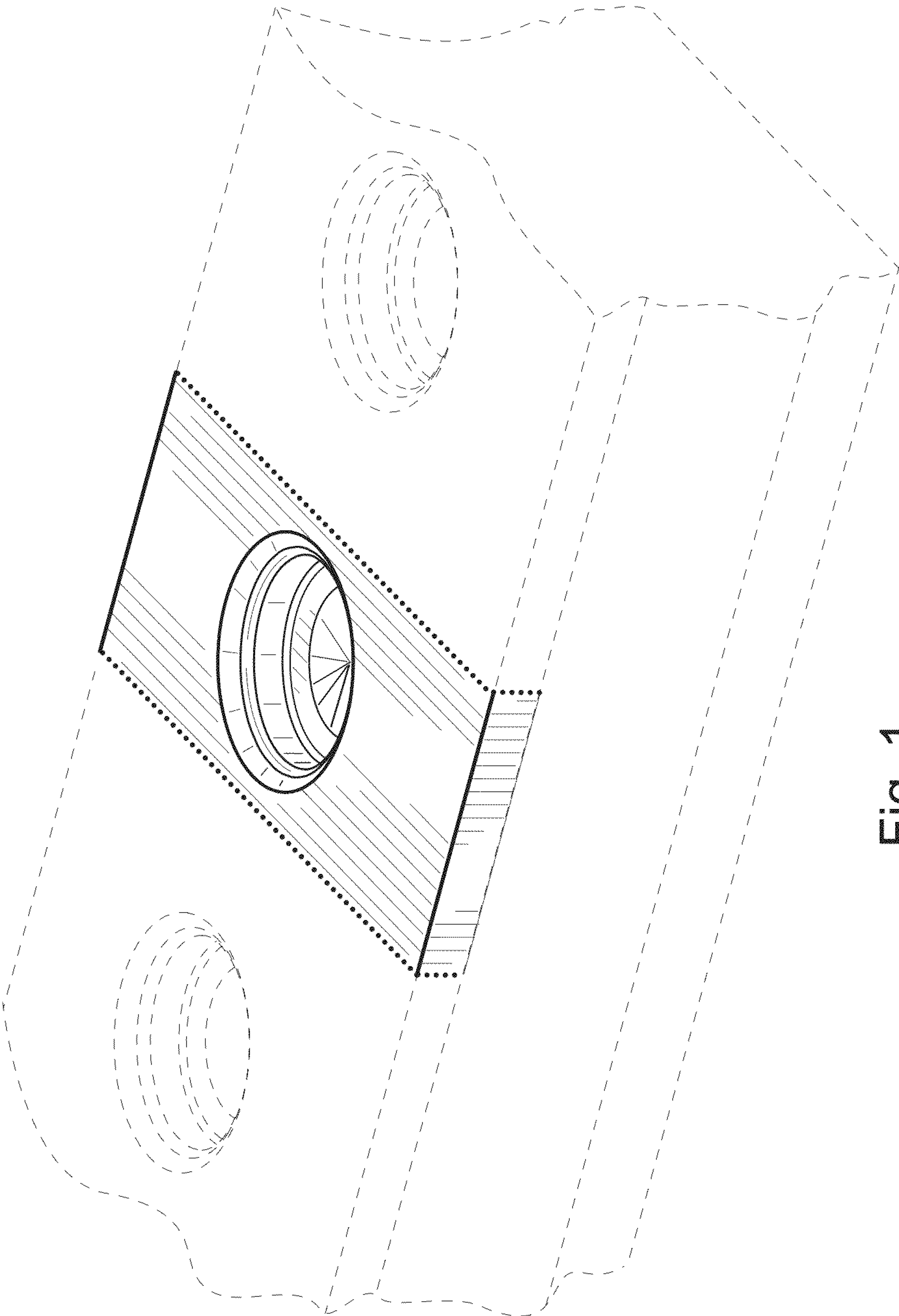


Fig. 1

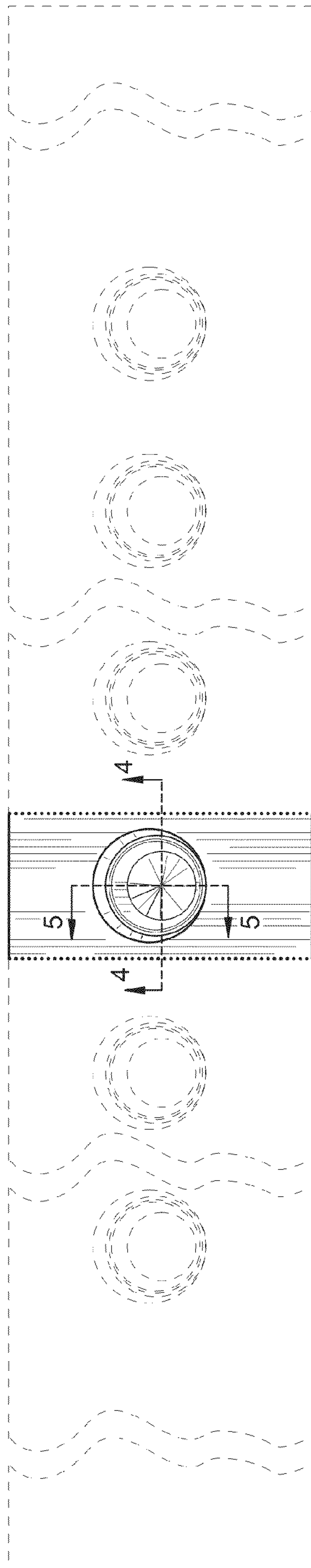


Fig. 2

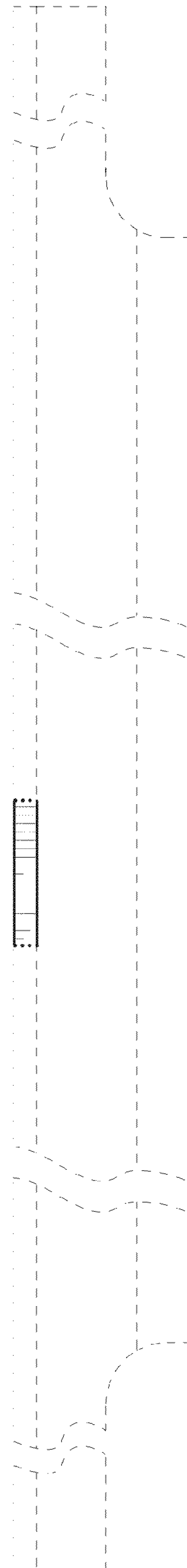


Fig. 3

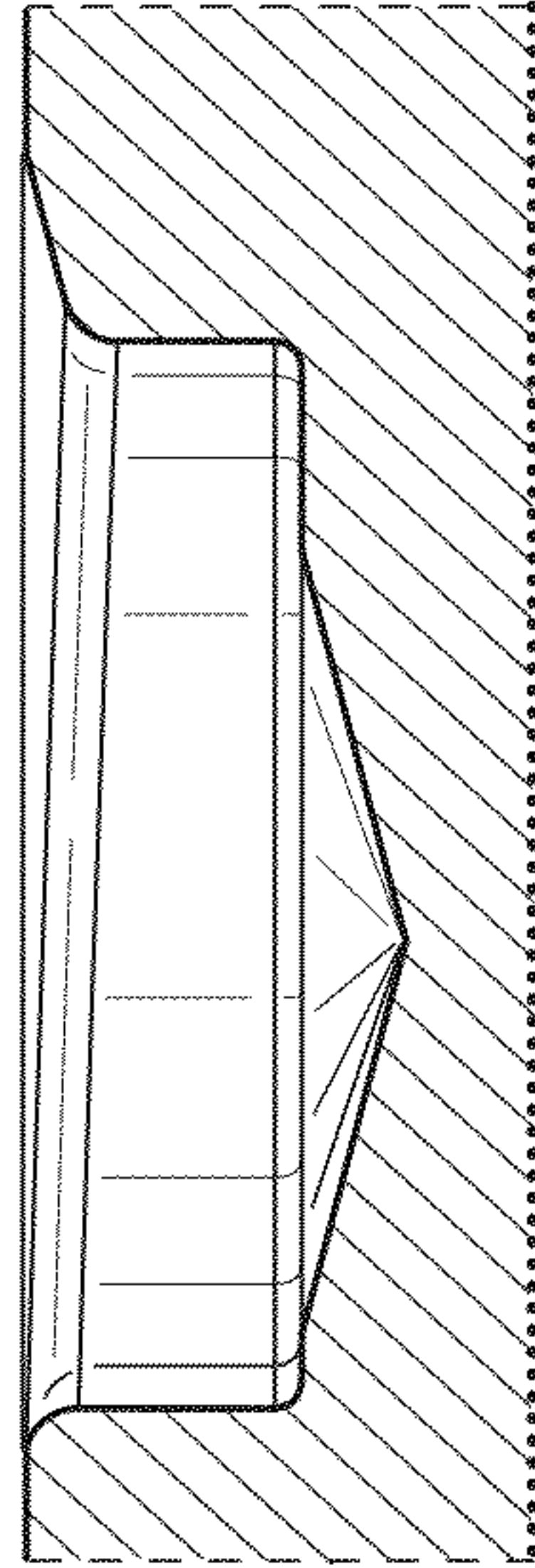


Fig. 5

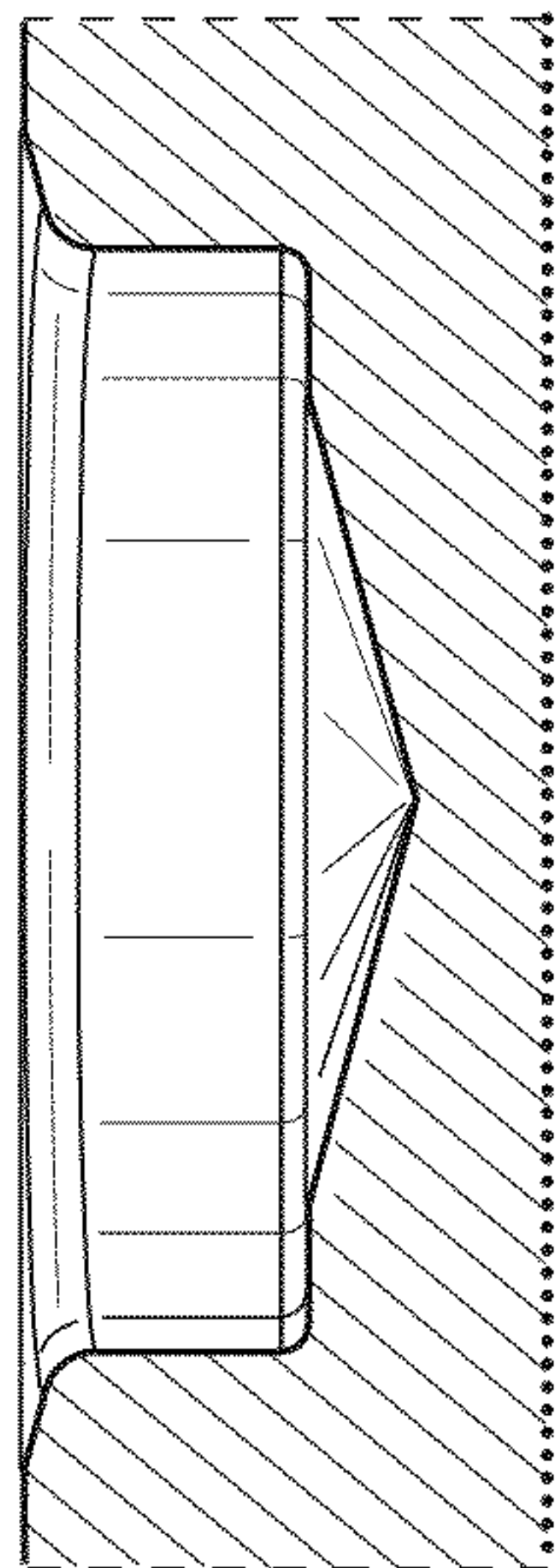


Fig. 4