



US00D725162S

(12) **United States Design Patent**  
**Cerniglia**

(10) **Patent No.:** **US D725,162 S**  
(45) **Date of Patent:** **\*\* Mar. 24, 2015**

- (54) **LOCATING RING**
- (71) Applicant: **Anthony Cerniglia**, Wauconda, IL (US)
- (72) Inventor: **Anthony Cerniglia**, Wauconda, IL (US)
- (\*\*) Term: **14 Years**
- (21) Appl. No.: **29/502,235**
- (22) Filed: **Sep. 12, 2014**

6,305,517 B1 \* 10/2001 Cole ..... 192/48.91  
 D699,770 S \* 2/2014 Kmoch et al. .... D15/136  
 2014/0075730 A1 \* 3/2014 Cerniglia ..... 29/402.08  
 2014/0079840 A1 \* 3/2014 Eigler et al. .... 425/192 R

\* cited by examiner

*Primary Examiner* — Patricia Palasik  
 (74) *Attorney, Agent, or Firm* — Lempia Summerfield Katz  
 LLC

**Related U.S. Application Data**

- (62) Division of application No. 29/422,205, filed on May 17, 2012, now Pat. No. Des. 713,432.
- (51) **LOC (10) Cl.** ..... **15-09**
- (52) **U.S. Cl.**  
USPC ..... **D15/135**
- (58) **Field of Classification Search**  
USPC ..... D15/135, 136, 137; 29/402.08, 428.29,  
29/464; 425/19, 23, 43, 58, 150  
See application file for complete search history.

(57) **CLAIM**

The ornamental design for a “locating ring,” as shown and described.

**DESCRIPTION**

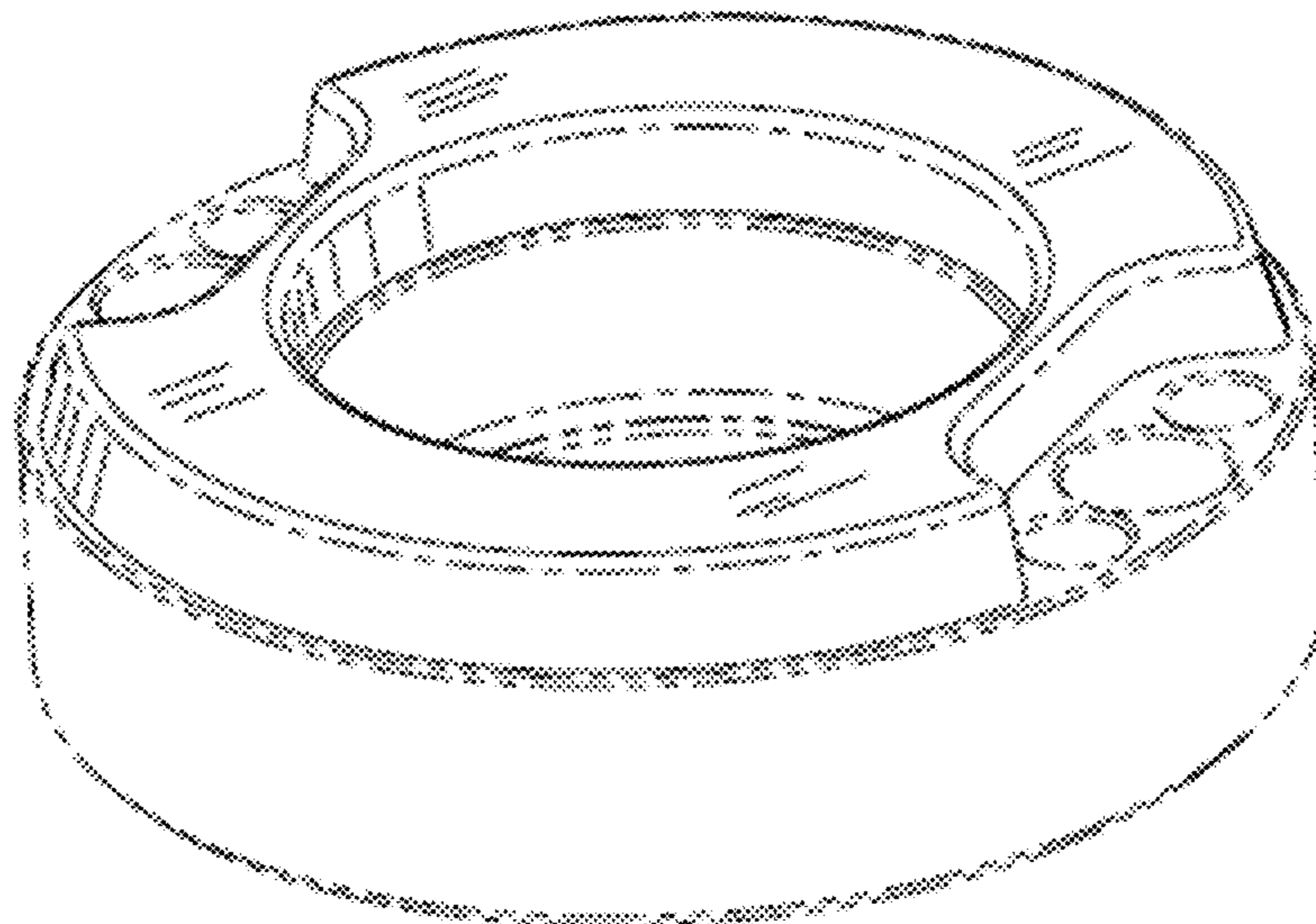
FIG. 1 is a bottom, front, and left side perspective view showing of my new design for a locating ring.  
 FIG. 2 is a front plan view of the locating ring shown in FIG. 1.  
 FIG. 3 is a left side view of the locating ring shown in FIG. 1, the right side view being a mirror image thereof.  
 FIG. 4 is a bottom view of the locating ring shown in FIG. 1, the top view being a mirror image thereof.  
 FIG. 5 is a rear plan view of the locating ring shown in FIG. 1; and,  
 FIG. 6 is a cross section view of the locating ring shown in FIG. 2 and taken along line 6-6 therein.  
 The subject matter shown in dashed lines is for illustrative purposes and forms no part of the claimed design.

(56) **References Cited**

**U.S. PATENT DOCUMENTS**

- 2,659,104 A \* 11/1953 Glynn ..... 425/19
- 4,008,486 A \* 2/1977 Byczkowski ..... 257/689
- 4,030,869 A \* 6/1977 Miller et al. .... 425/471
- 4,480,282 A \* 10/1984 Brock et al. .... 360/135
- 5,472,298 A \* 12/1995 Mihai ..... 408/13

**1 Claim, 5 Drawing Sheets**



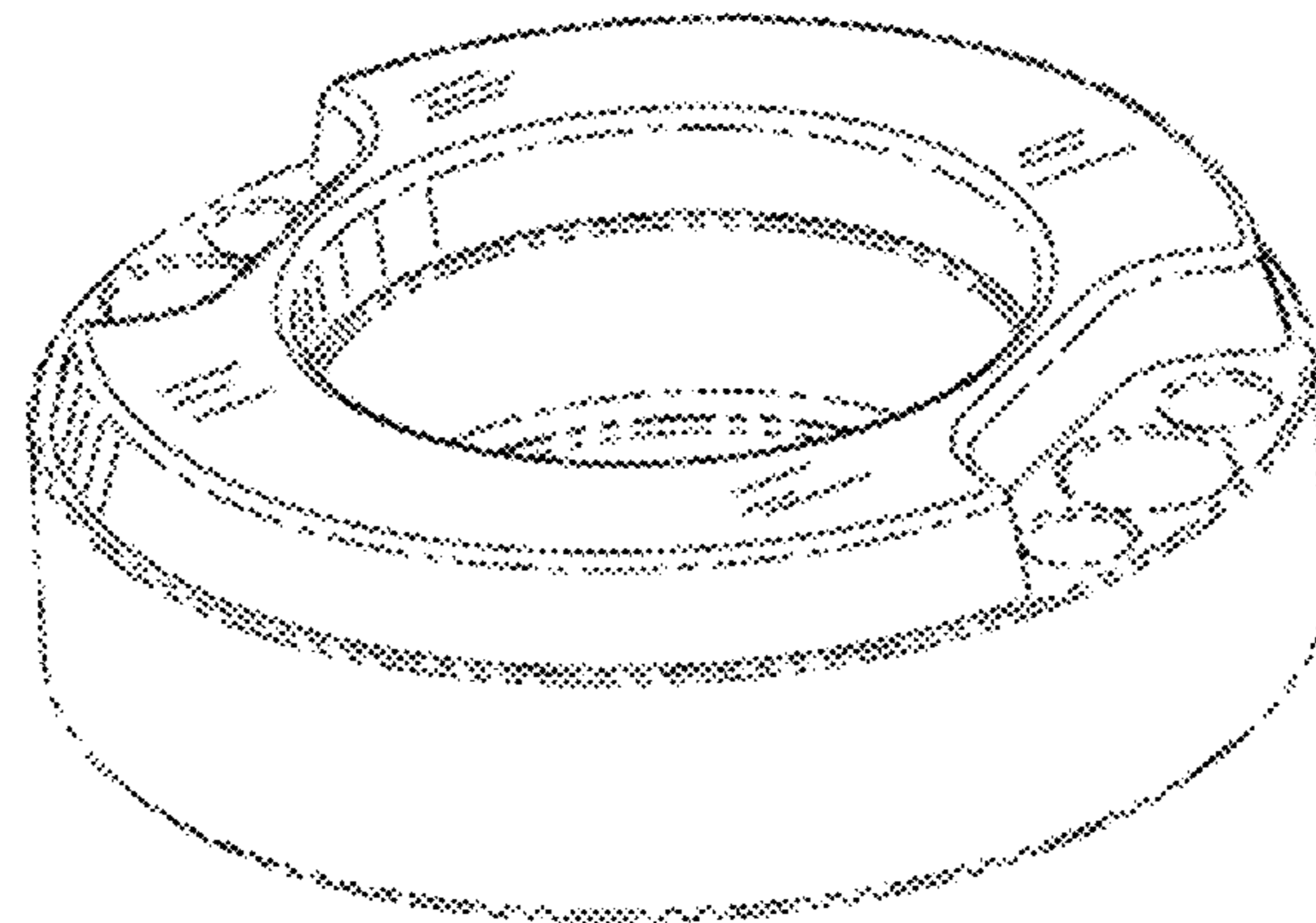


FIG. 1

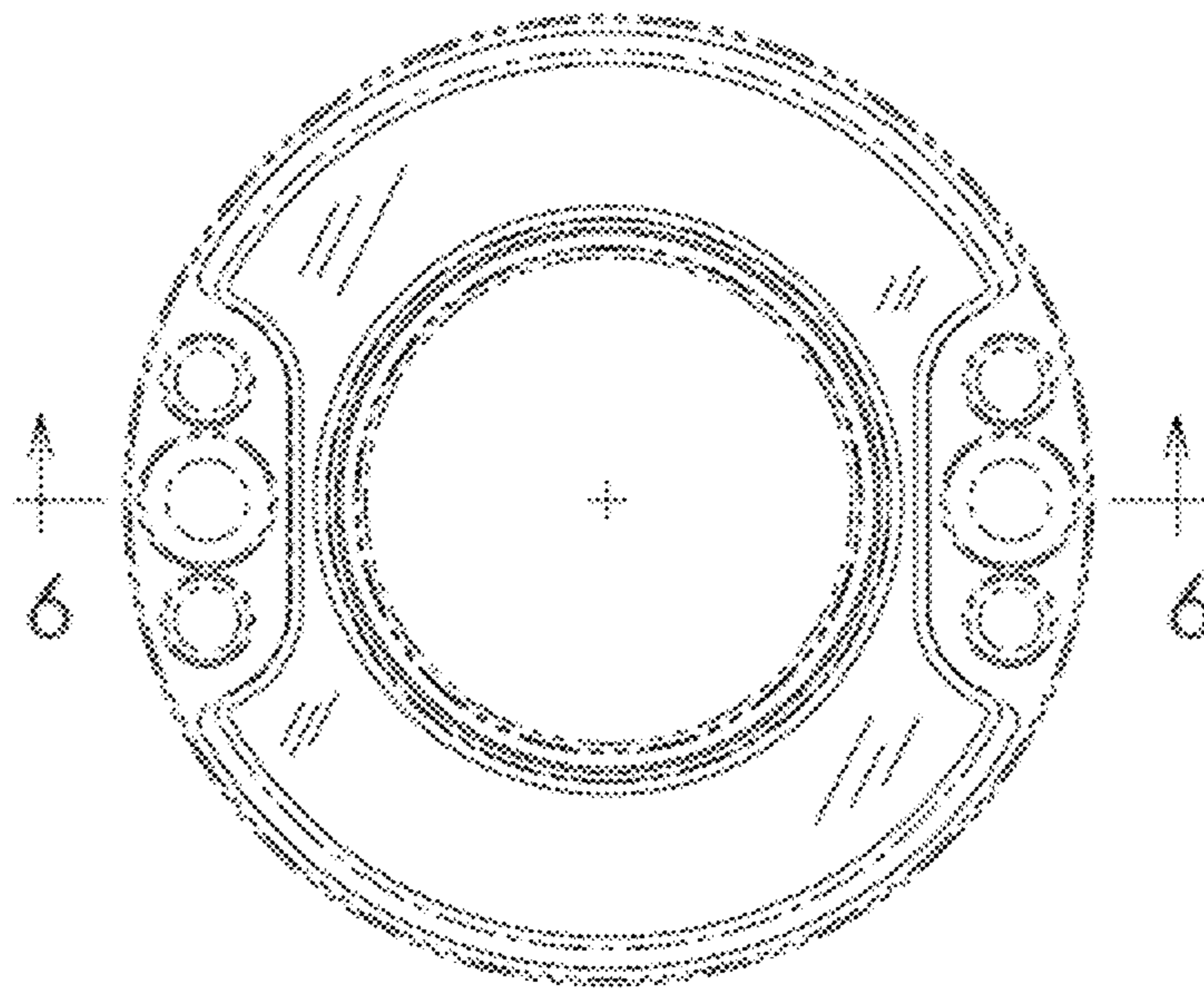


FIG. 2

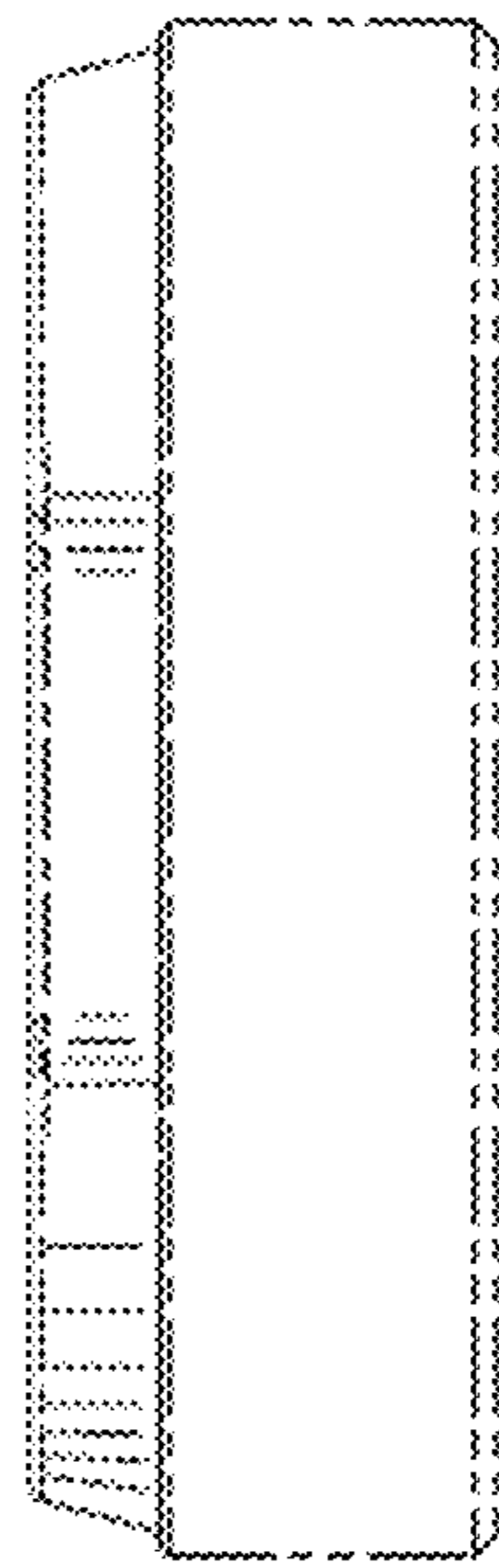


FIG. 3

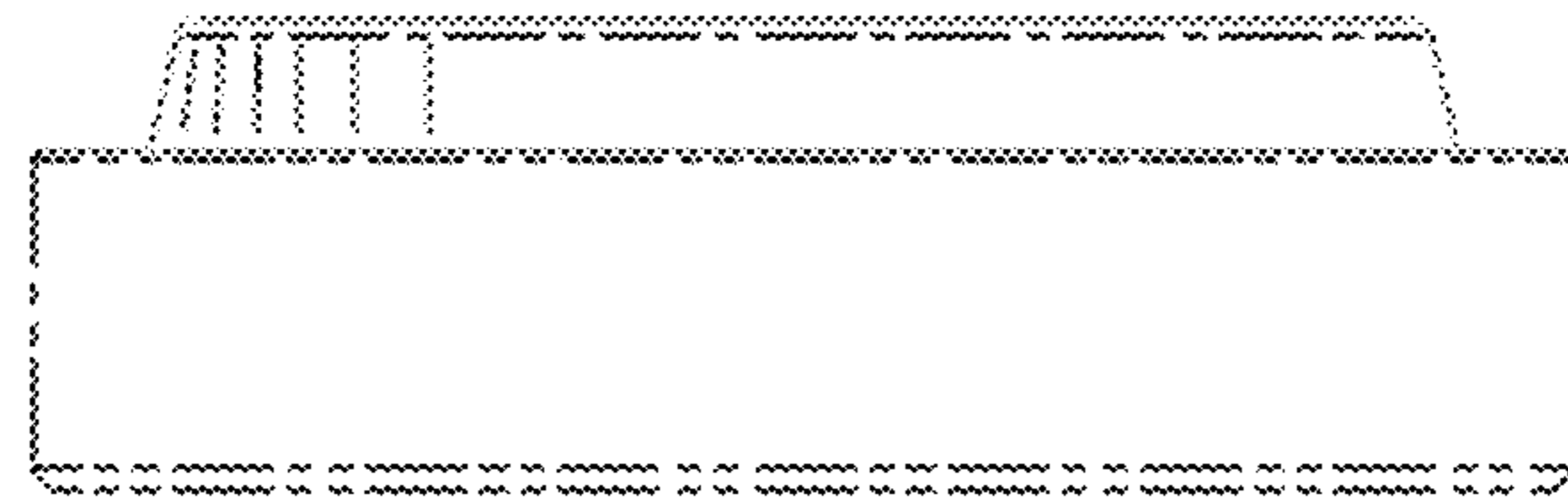


FIG. 4

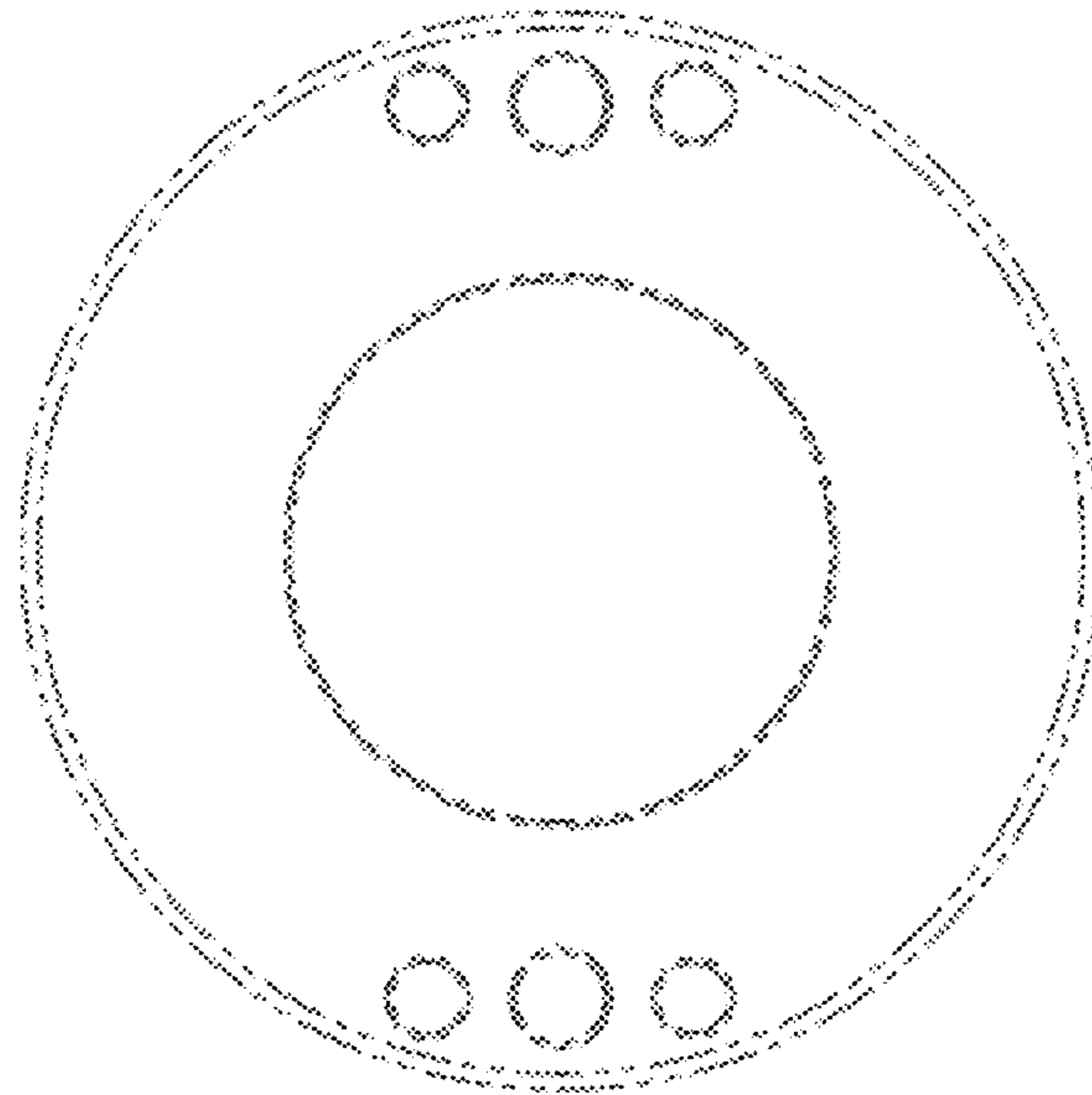


FIG. 5

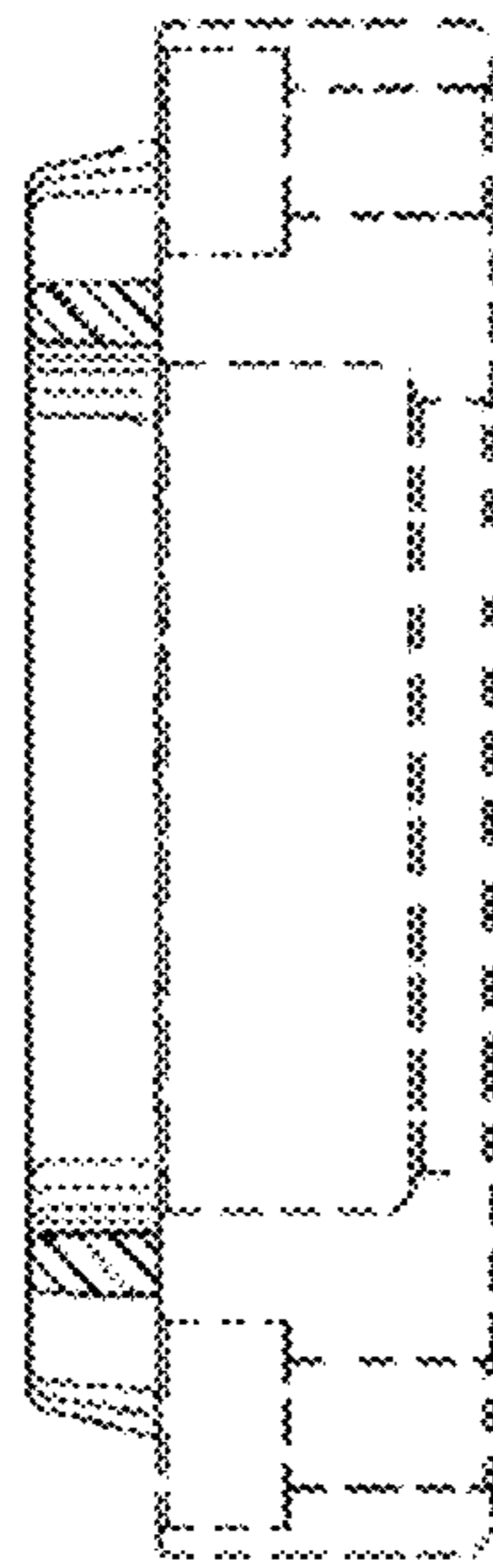


FIG. 6