



US00D725157S

(12) **United States Design Patent**  
**Higuchi et al.**

(10) **Patent No.:** **US D725,157 S**  
(45) **Date of Patent:** **\*\* Mar. 24, 2015**

(54) **COUNTERWEIGHT FOR CONSTRUCTION MACHINE**

(71) Applicant: **Kobelco Construction Machinery Co., Ltd.**, Hiroshima-shi, Hiroshima (JP)

(72) Inventors: **Fumikazu Higuchi**, Hiroshima (JP); **Masaaki Murakami**, Hiroshima (JP); **Jumpei Yokota**, Hiroshima (JP); **Daisuke Mochizuki**, Hiroshima (JP); **Hironori Tsukamoto**, Hiroshima (JP); **Tsuyoshi Noda**, Hiroshima (JP); **Hiroshi Kanamaru**, Hiroshima (JP); **Kaoru Adachi**, Hiroshima (JP)

(73) Assignee: **Kobelco Construction Machinery Co., Ltd.**, Hiroshima (JP)

(\*\*) Term: **14 Years**

(21) Appl. No.: **29/497,349**

(22) Filed: **Jul. 23, 2014**

(30) **Foreign Application Priority Data**

Jan. 24, 2014 (JP) ..... 2014-001292

(51) **LOC (10) Cl.** ..... **15-03**

(52) **U.S. Cl.**  
USPC ..... **D15/28**

(58) **Field of Classification Search**  
USPC ..... D15/10, 22-29, 30, 33, 31; 296/193.03, 296/193.08; 172/611, 776; 180/69.24, 89.1, 180/89.12, 89.13, 900, 326; 37/443, 379; 414/601, 602, 685, 687, 688, 694, 414/722-724, 699, 680, 698, 719, 743  
See application file for complete search history.

(56) **References Cited**

U.S. PATENT DOCUMENTS

D559,279 S *	1/2008	Sakitani et al.	.....	D15/28
D579,465 S *	10/2008	Ochi et al.	.....	D15/28
D582,947 S *	12/2008	Ueta et al.	.....	D15/28
D587,285 S *	2/2009	Murakami et al.	.....	D15/28
D678,358 S *	3/2013	Hiraoka et al.	.....	D15/28
D678,359 S *	3/2013	Hagura et al.	.....	D15/28
D680,136 S *	4/2013	Tsukamoto et al.	.....	D15/28

\* cited by examiner

*Primary Examiner* — Mark Goodwin

(74) *Attorney, Agent, or Firm* — Birch, Stewart, Kolasch & Birch, LLP

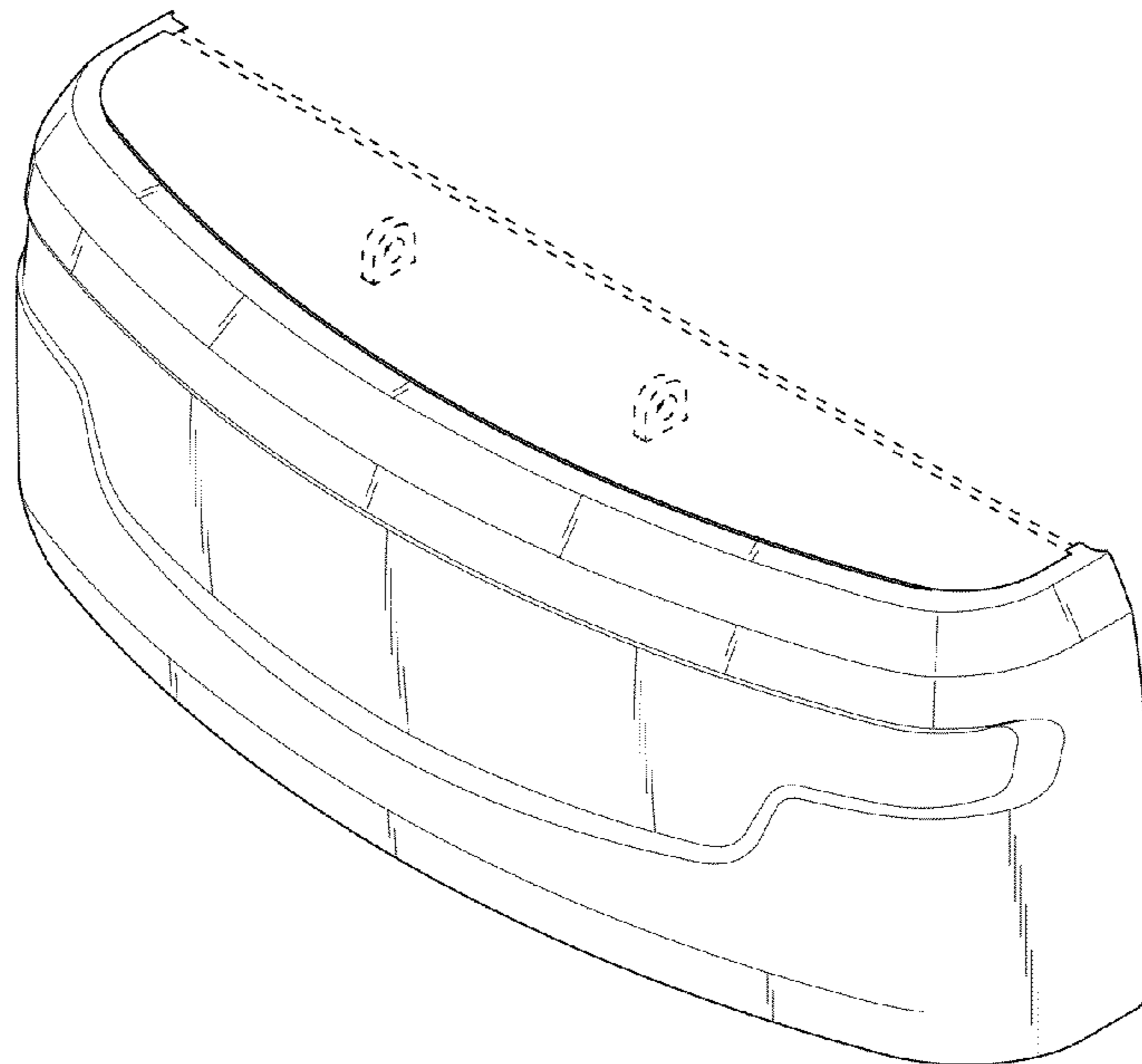
(57) **CLAIM**

The ornamental design for a counterweight for construction machine, as shown and described.

**DESCRIPTION**

FIG. 1 is a first perspective view of a counterweight for construction machine;  
FIG. 2 is a second perspective view thereof;  
FIG. 3 is a front view thereof;  
FIG. 4 is a rear view thereof;  
FIG. 5 is a left side view thereof, the opposite side being a mirror image of the side shown herein;  
FIG. 6 is a top view thereof; and,  
FIG. 7 is a bottom view thereof.  
The portion shown by broken lines is for illustrative purposes only and forms no part of the claimed design.

**1 Claim, 4 Drawing Sheets**



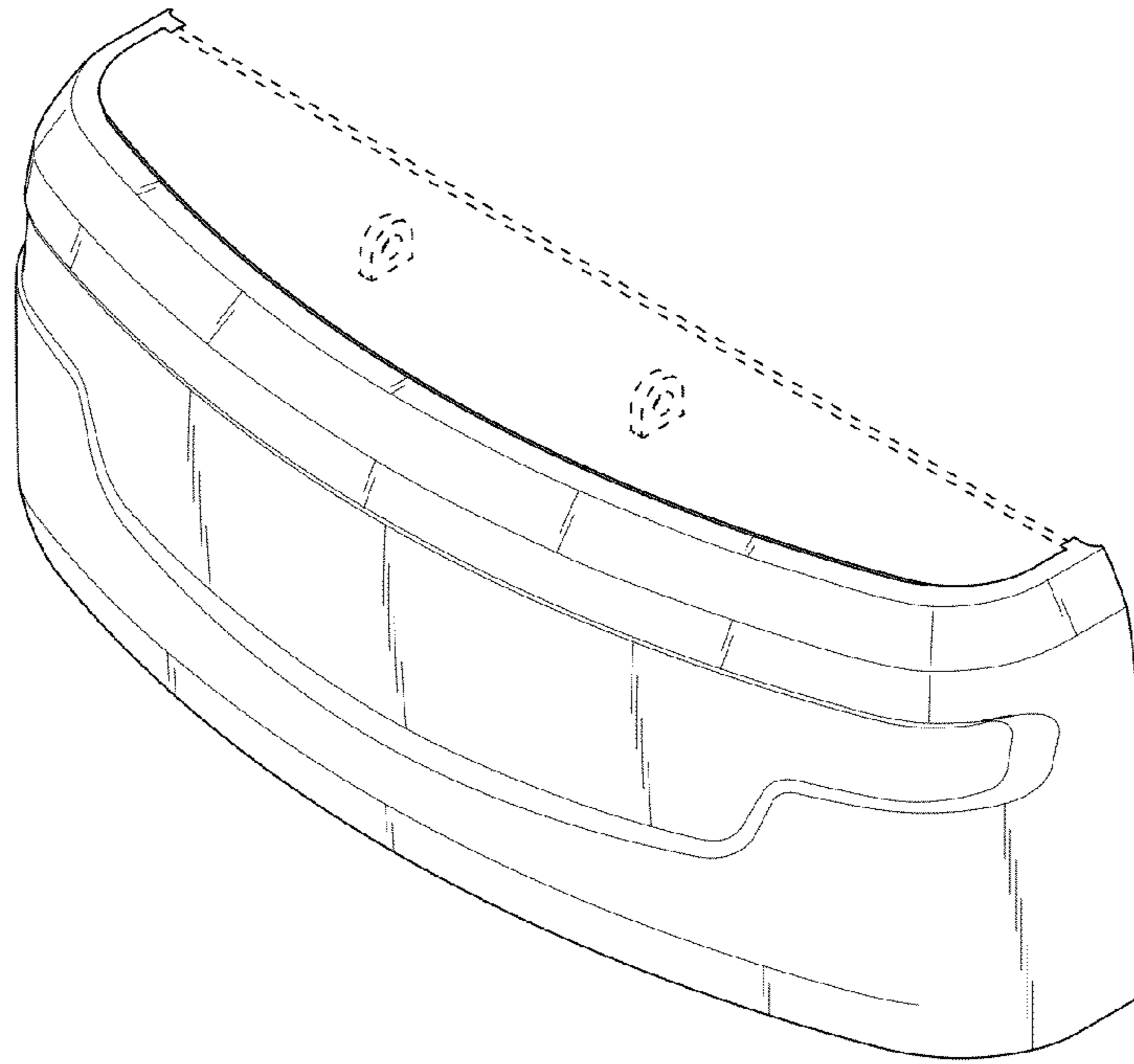


FIG. 1

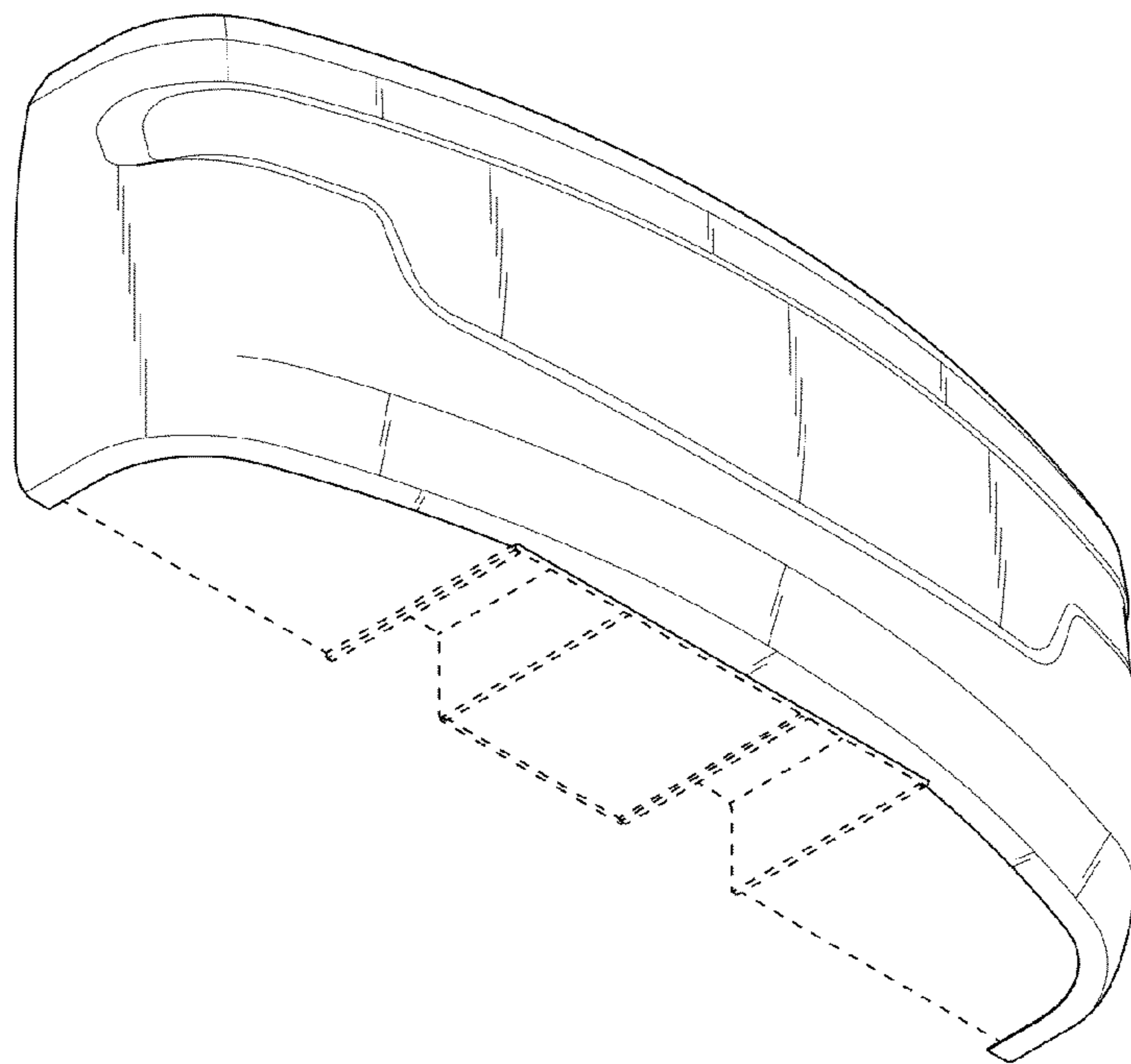


FIG. 2

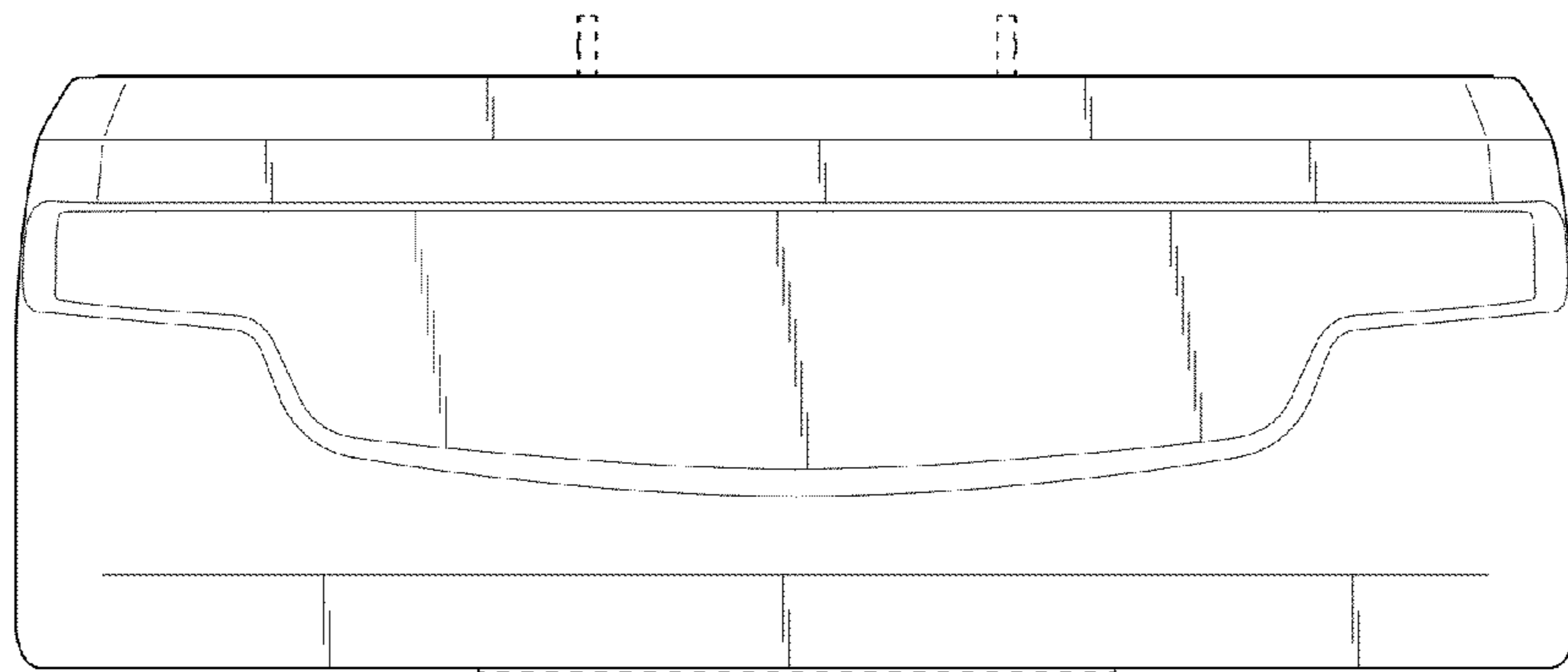


FIG.3

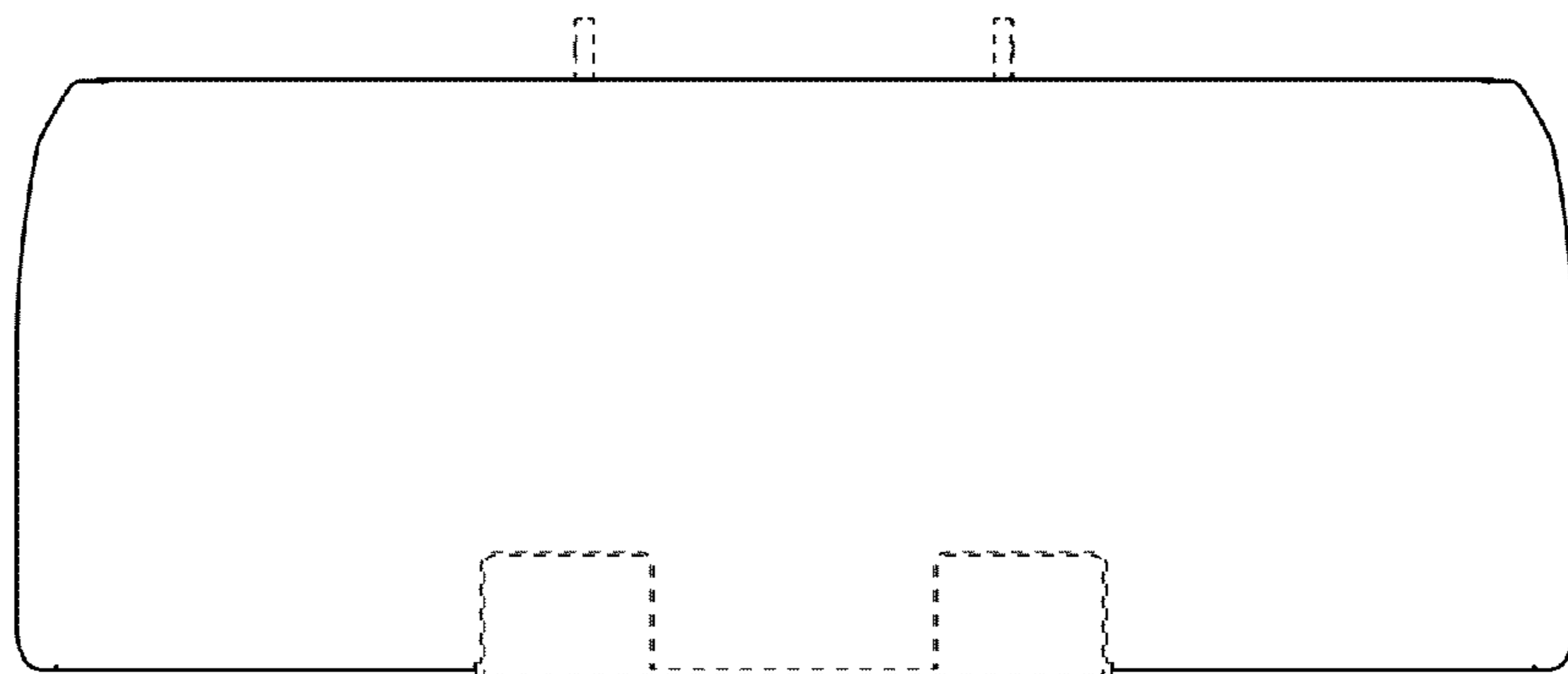


FIG.4

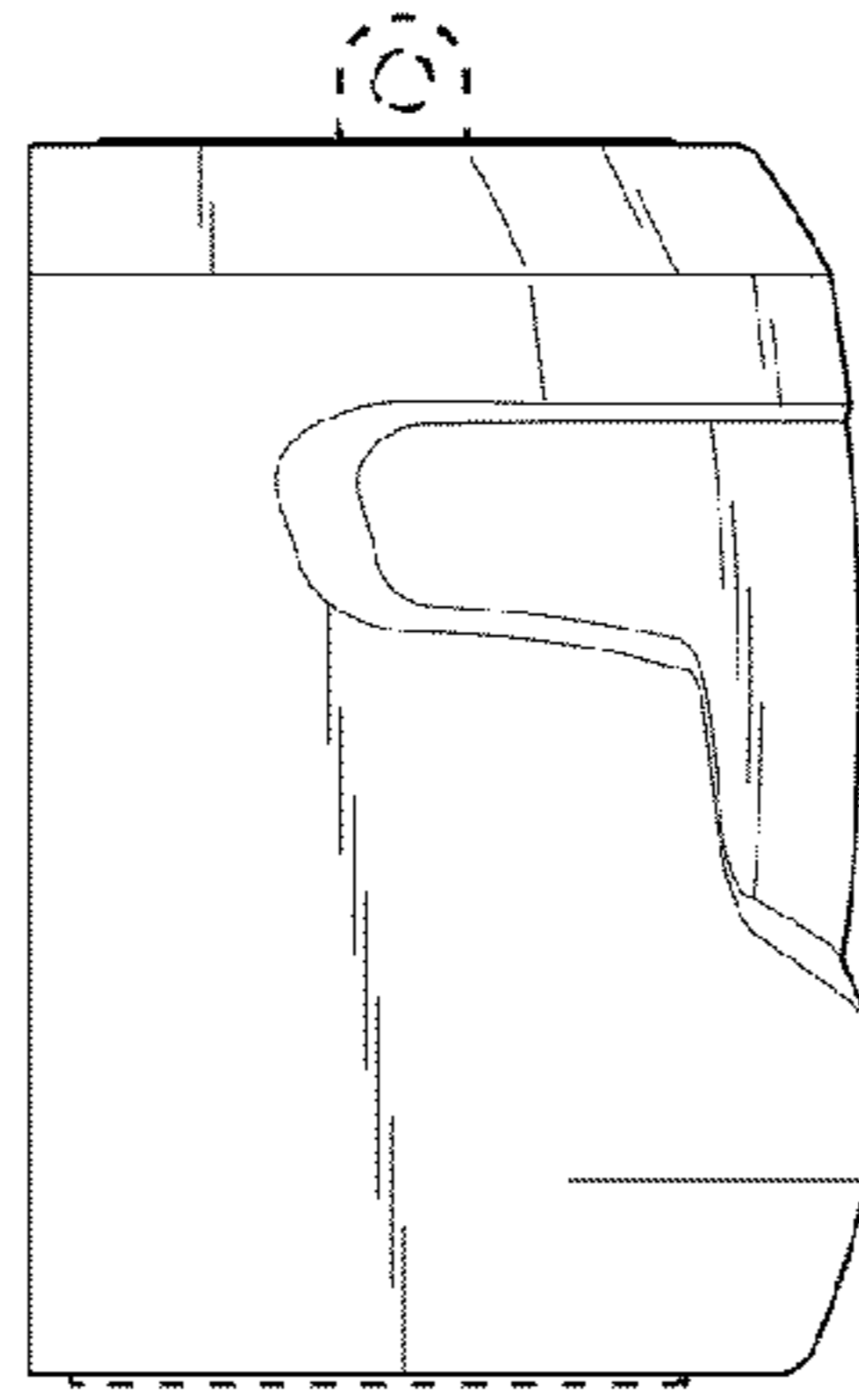


FIG.5

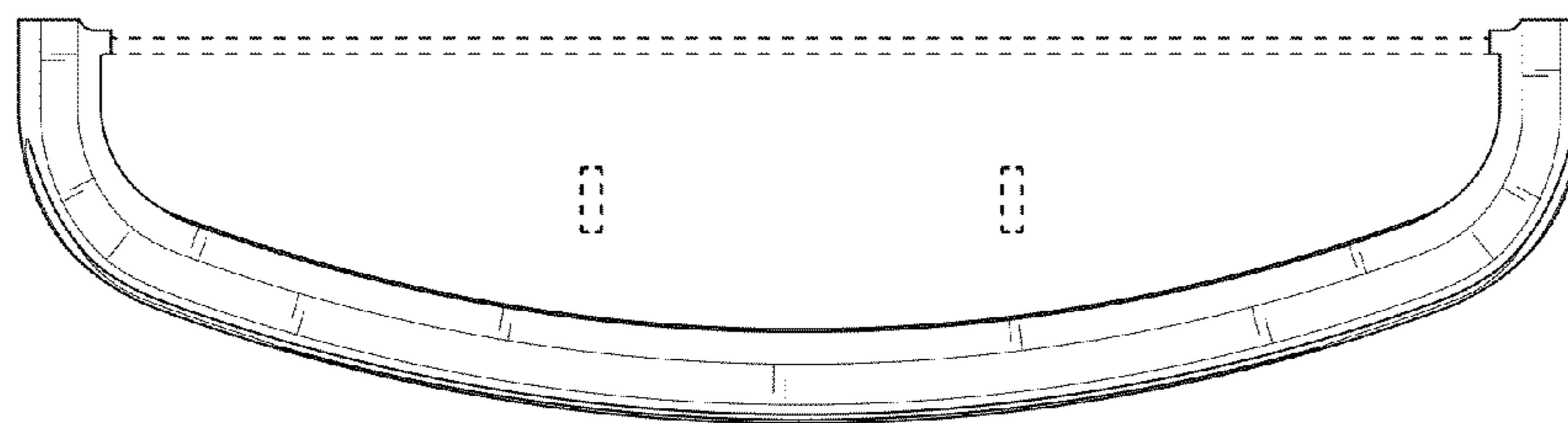


FIG. 6

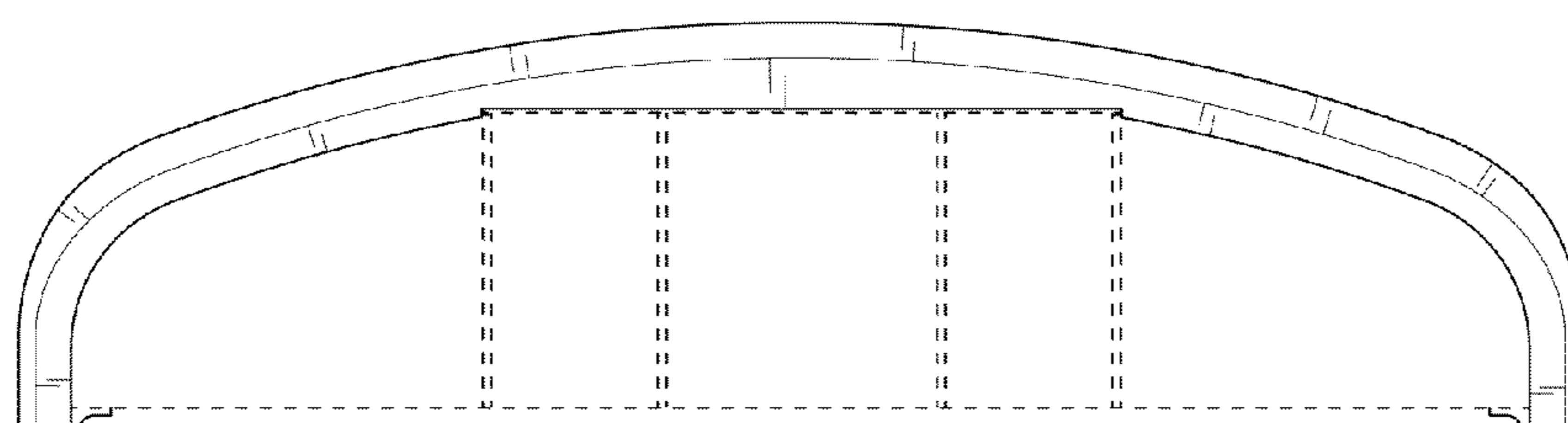


FIG. 7