



US00D725156S

(12) **United States Design Patent**
Saari et al.

(10) **Patent No.:** **US D725,156 S**
(45) **Date of Patent:** **** Mar. 24, 2015**

(54) **BORING MACHINE**
(71) Applicant: **Sandvik Mining and Construction Oy,**
Tampere (FI)
(72) Inventors: **Jaakko Saari,** Tampere (FI); **Kari**
Juujarvi, Tampere (FI); **Kari**
Lappalainen, Tampere (FI)
(73) Assignee: **Sandvik Mining and Construction Oy,**
Tampere (FI)
(**) Term: **14 Years**
(21) Appl. No.: **29/504,906**
(22) Filed: **Oct. 10, 2014**
(30) **Foreign Application Priority Data**

Apr. 11, 2014 (EM) 2445379-0001

(51) **LOC (10) Cl.** **15-03**
(52) **U.S. Cl.**

USPC **D15/21**

(58) **Field of Classification Search**
USPC D15/21-26, 28, 33, 30, 132; 173/189,
173/9.5, 9.52; 180/9.1-9.44, 9.54, 9.62, 41,
180/6.48, 9.6; 73/152.54, 152.46
See application file for complete search history.

(56) **References Cited**

U.S. PATENT DOCUMENTS

3,322,206 A * 5/1967 Gernhardt 173/28
D226,262 S * 2/1973 Trueblood D15/21
D234,794 S * 4/1975 Kennicutt et al. D15/21
D244,190 S * 5/1977 Swartz et al. D15/21
4,181,182 A * 1/1980 Gustafsson 173/189
4,303,130 A * 12/1981 Bonca 173/189
D267,719 S * 1/1983 Case D15/21

4,371,041 A * 2/1983 Becker et al. 173/28
D272,071 S * 1/1984 Baconet et al. D15/30
4,449,592 A * 5/1984 Mayer 175/52
D287,499 S * 12/1986 Takamatsu et al. D15/30
5,222,564 A * 6/1993 Bonca 173/189
5,263,545 A * 11/1993 Tudora et al. 175/52
5,806,616 A * 9/1998 Enlund et al. 180/9.52
5,810,101 A * 9/1998 Caraway et al. 175/78
5,844,133 A * 12/1998 Goto et al. 73/152.54
5,941,324 A * 8/1999 Bennett 175/85
D413,907 S * 9/1999 Suzaki et al. D15/132
6,257,349 B1 * 7/2001 Bardwell 173/28
6,298,927 B1 * 10/2001 Back 175/52
D453,023 S * 1/2002 Kaneko et al. D15/21
D477,332 S * 7/2003 Bennett D15/21
D490,444 S * 5/2004 Kuwae D15/33
D506,483 S * 6/2005 Saari D15/132
D552,131 S * 10/2007 Matsubara et al. D15/33
7,537,424 B2 * 5/2009 Innes et al. 414/22.62
8,061,435 B2 * 11/2011 Gunnarson 173/1
8,631,898 B2 * 1/2014 Luoma 181/200

* cited by examiner

Primary Examiner — Mark Goodwin

(74) *Attorney, Agent, or Firm* — Jacobson Holman, PLLC.

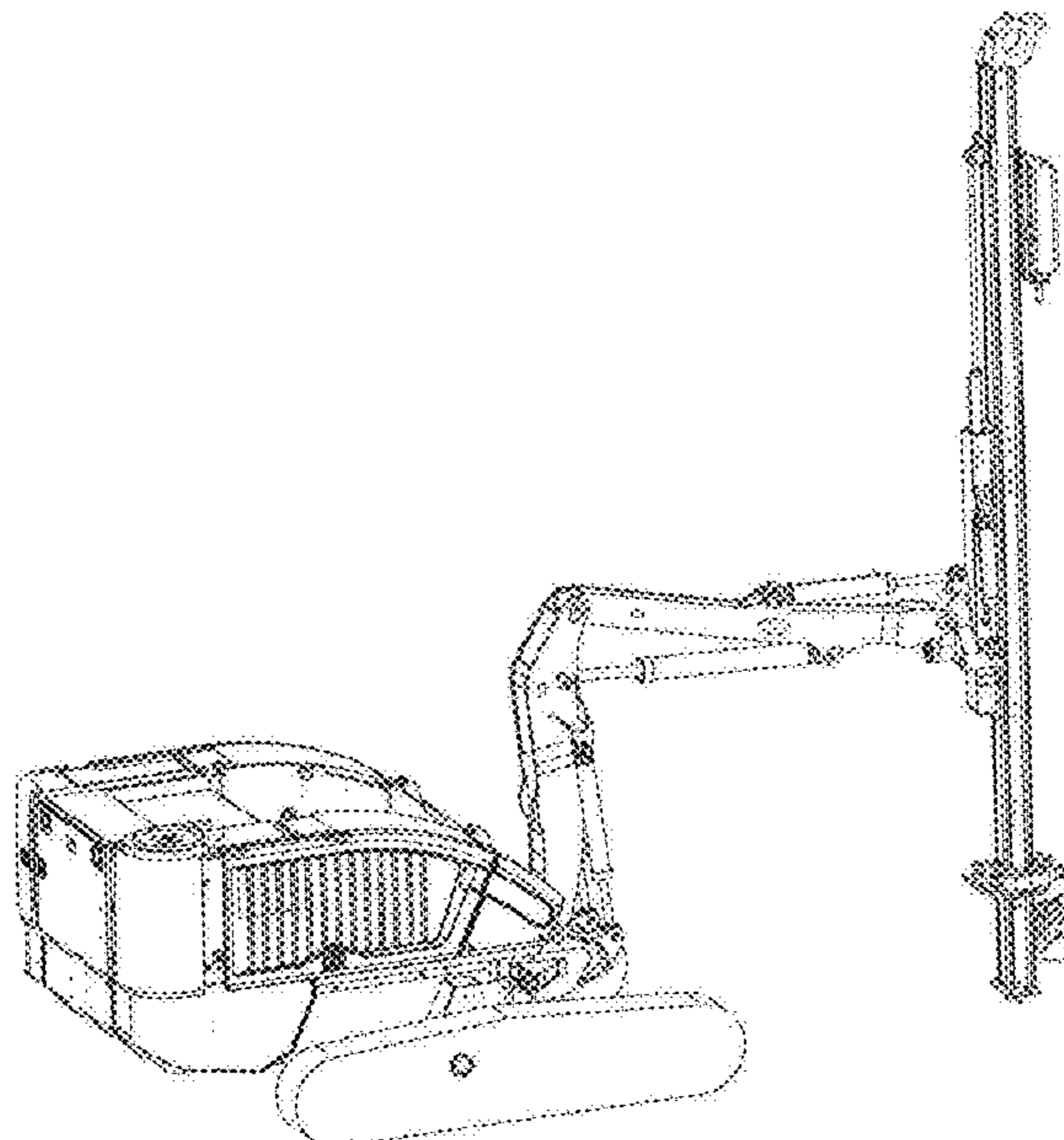
(57) **CLAIM**

We claim the ornamental design for the boring machine, as shown and described.

DESCRIPTION

FIG. 1 is a left side perspective view of the boring machine embodying our design;
FIG. 2 is a right side perspective view of FIG. 1;
FIG. 3 is a front elevational view of FIG. 1;
FIG. 4 is a rear elevational view of FIG. 1;
FIG. 5 is a left side elevational view of FIG. 1;
FIG. 6 is a right side elevational view of FIG. 1; and,
FIG. 7 is a top plan view of FIG. 1.

1 Claim, 7 Drawing Sheets



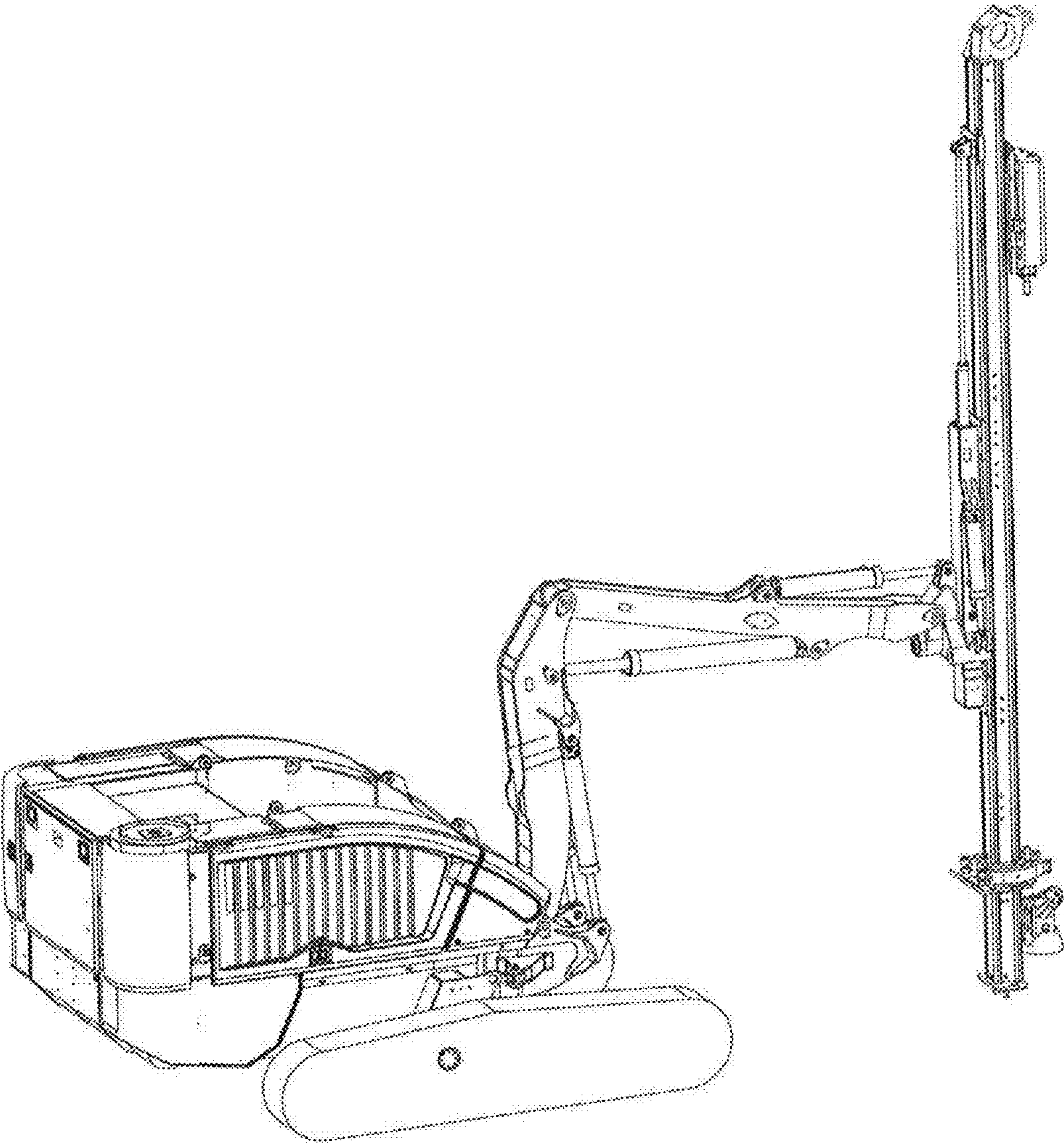


FIG. 1

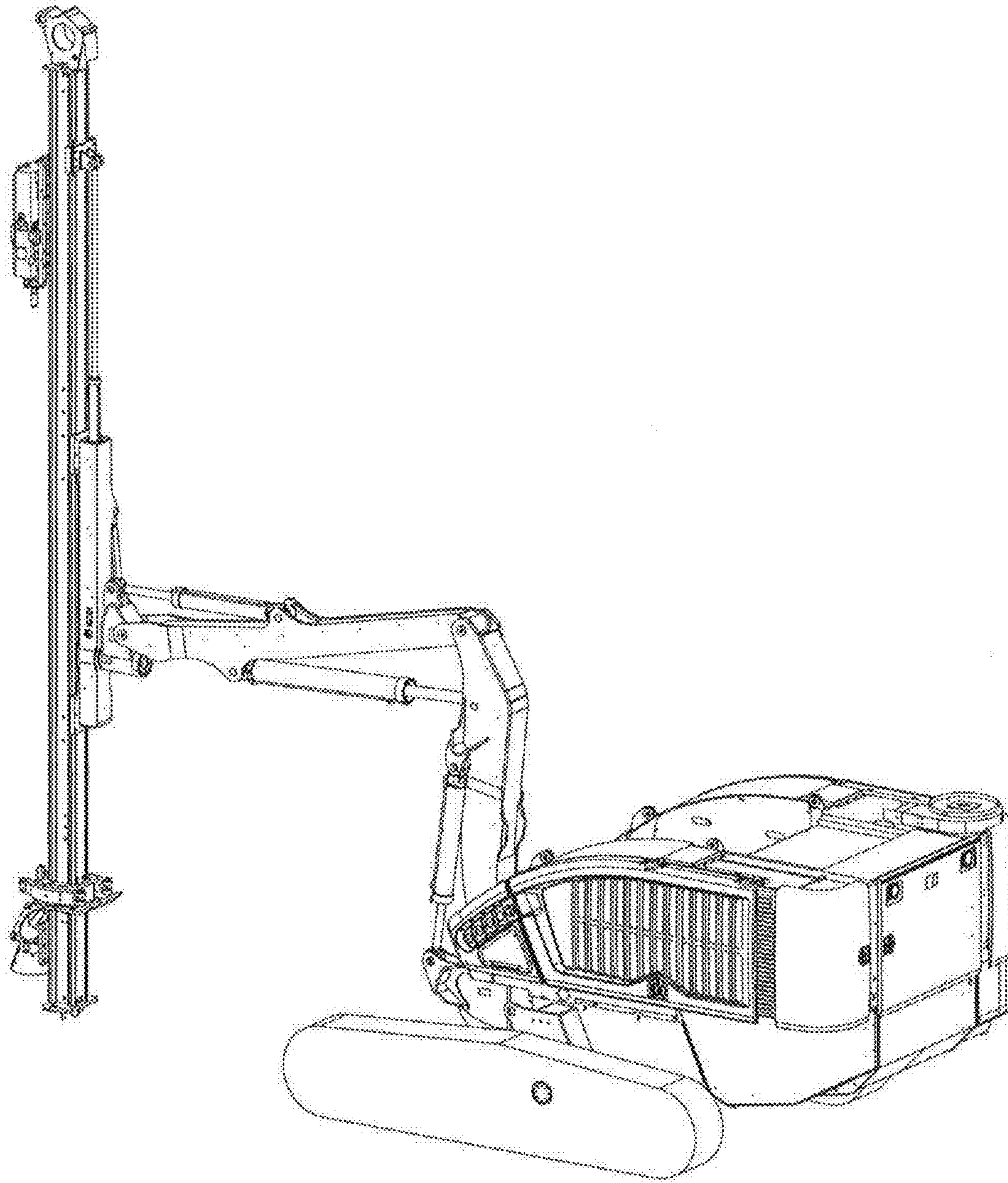


FIG. 2

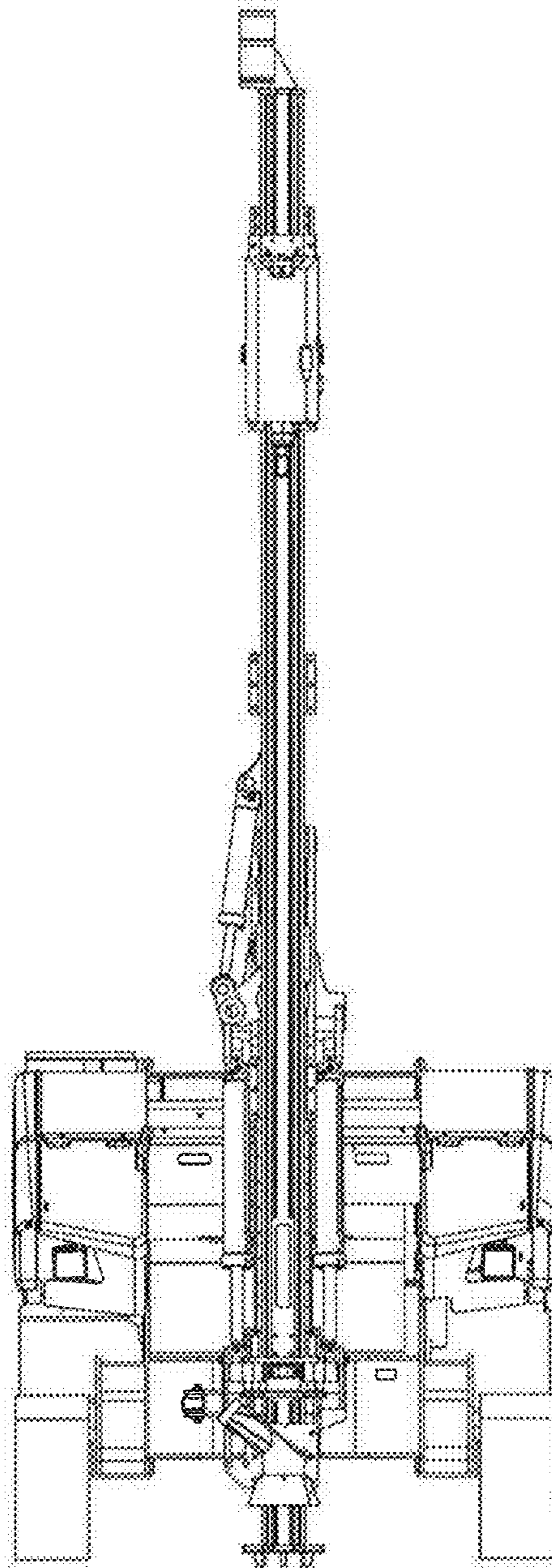


FIG. 3

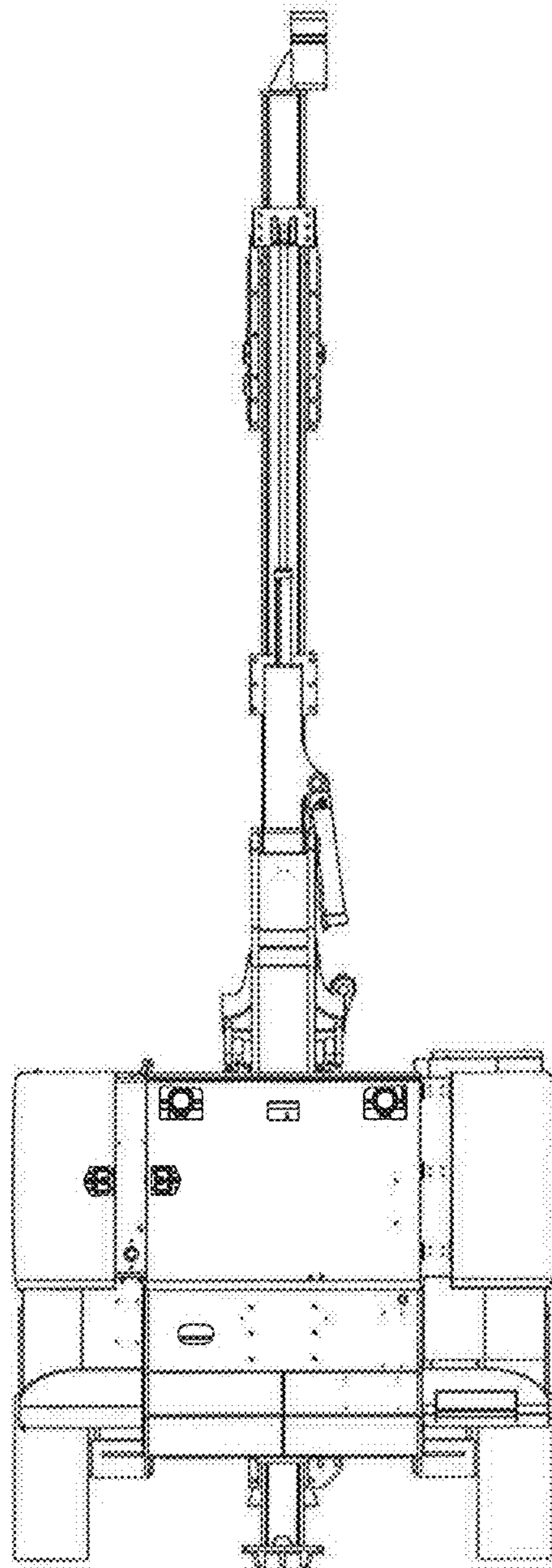


FIG. 4

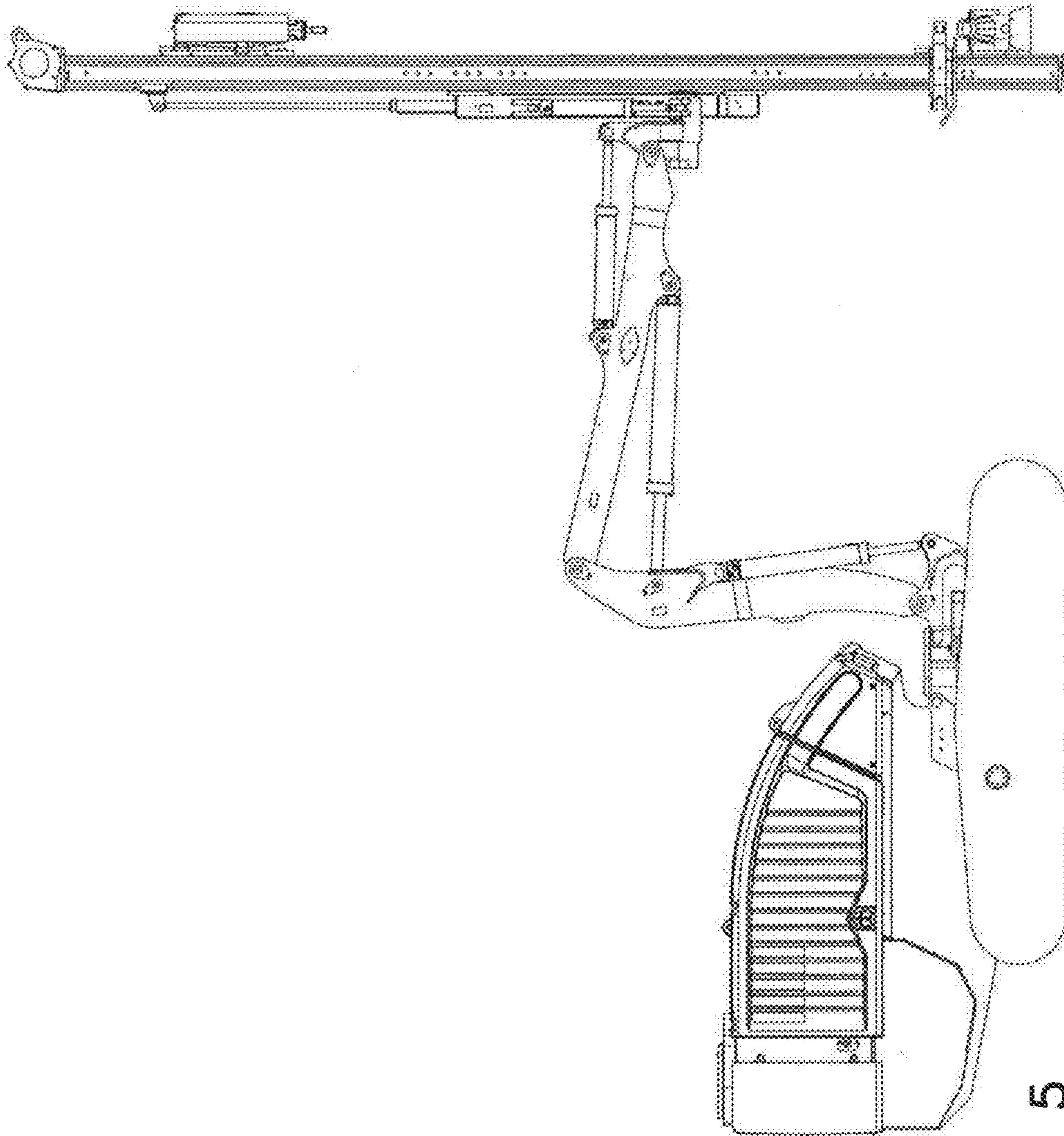


FIG. 5

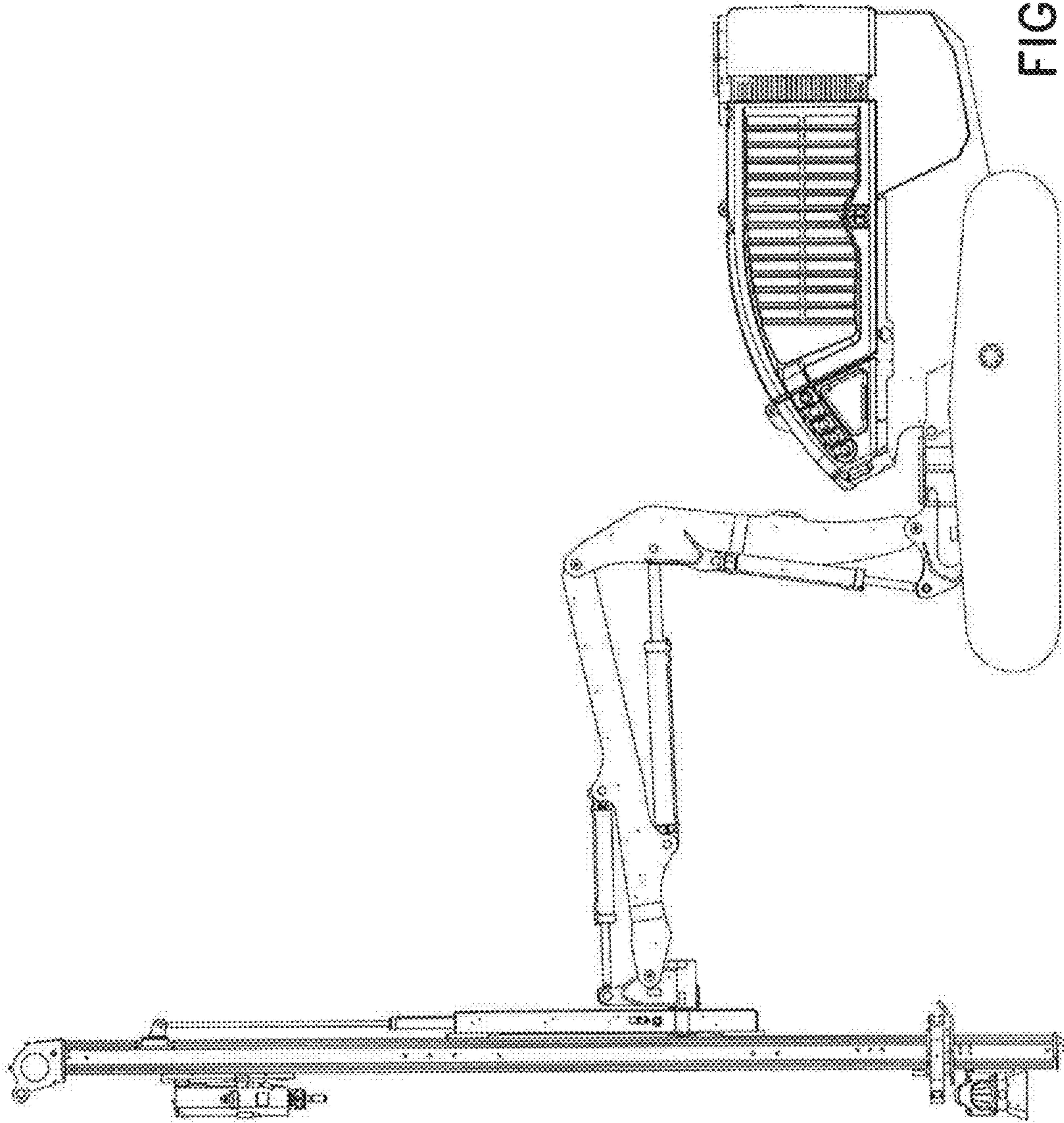


FIG. 6

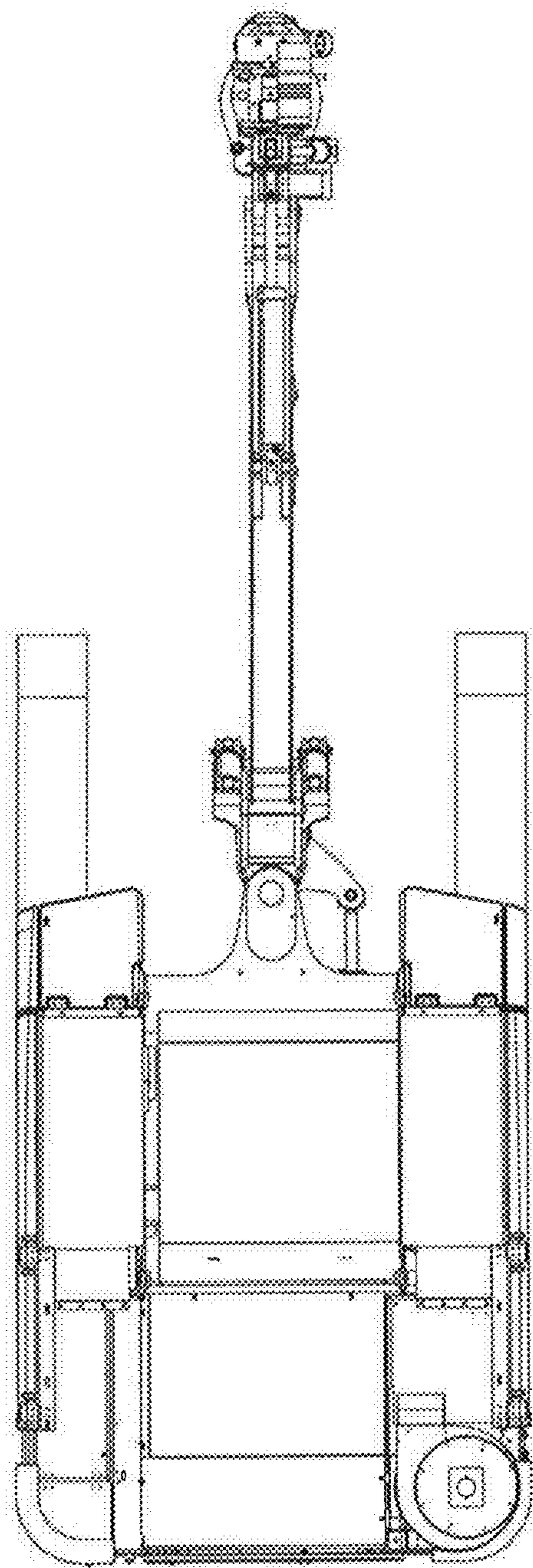


FIG. 7