



US00D725155S

(12) **United States Design Patent**  
**McKay et al.**

(10) **Patent No.:** **US D725,155 S**  
(45) **Date of Patent:** **\*\* Mar. 24, 2015**

(54) **LAWN MOWER**

(71) Applicant: **Masport Limited**, Auckland (NZ)

(72) Inventors: **David Ian McKay**, Auckland (NZ);  
**Agron Haraqia**, Auckland (NZ); **Allan Clifford Smyth**, Huntly (NZ); **Lun-Yu Tung**, Auckland (NZ)

(73) Assignee: **Masport Limited**, Auckland (NZ)

(\*\*) Term: **14 Years**

(21) Appl. No.: **29/507,062**

(22) Filed: **Oct. 23, 2014**

(51) **LOC (10) Cl.** ..... **15-03**

(52) **U.S. Cl.**

USPC ..... **D15/14; D15/17**

(58) **Field of Classification Search**

USPC ..... D15/10, 14-18; 56/12.8, 12.7, 13.4,  
56/16.7, 17.5, 202, 254, 255, 294, 11.4,  
56/320.1, 320.2, 249, 252, 11.9, 17.1,  
56/17.4, 295; 280/43.17

See application file for complete search history.

(56) **References Cited**

**U.S. PATENT DOCUMENTS**

D457,897 S \* 5/2002 Jong ..... D15/14  
D458,277 S \* 6/2002 Stratford ..... D15/14  
D497,918 S \* 11/2004 Osborne et al. .... D15/14

D544,501 S \* 6/2007 Chung Lee ..... D15/14  
D581,951 S \* 12/2008 Bochmann et al. .... D15/14  
D605,667 S \* 12/2009 Peterson et al. .... D15/14  
D620,029 S \* 7/2010 Baetica ..... D15/14  
D620,030 S \* 7/2010 Baetica ..... D15/14  
D622,291 S \* 8/2010 Martin et al. .... D15/14  
D627,371 S \* 11/2010 Baetica ..... D15/14  
D627,372 S \* 11/2010 Baetica ..... D15/14  
D646,698 S \* 10/2011 Park ..... D15/14  
D652,846 S \* 1/2012 Stratford et al. .... D15/14  
D653,265 S \* 1/2012 Stratford et al. .... D15/14  
D665,823 S \* 8/2012 Hannig ..... D15/14

\* cited by examiner

*Primary Examiner* — Mark Goodwin

(74) *Attorney, Agent, or Firm* — Jacobson Holman, PLLC.

(57) **CLAIM**

We claim the ornamental design for the lawn mower, as shown and described.

**DESCRIPTION**

FIG. 1 is a right front perspective of the lawn mower embodying our design;

FIG. 2 is a left front perspective of FIG. 1;

FIG. 3 is a front elevational view of FIG. 1;

FIG. 4 is a rear elevational view of FIG. 1;

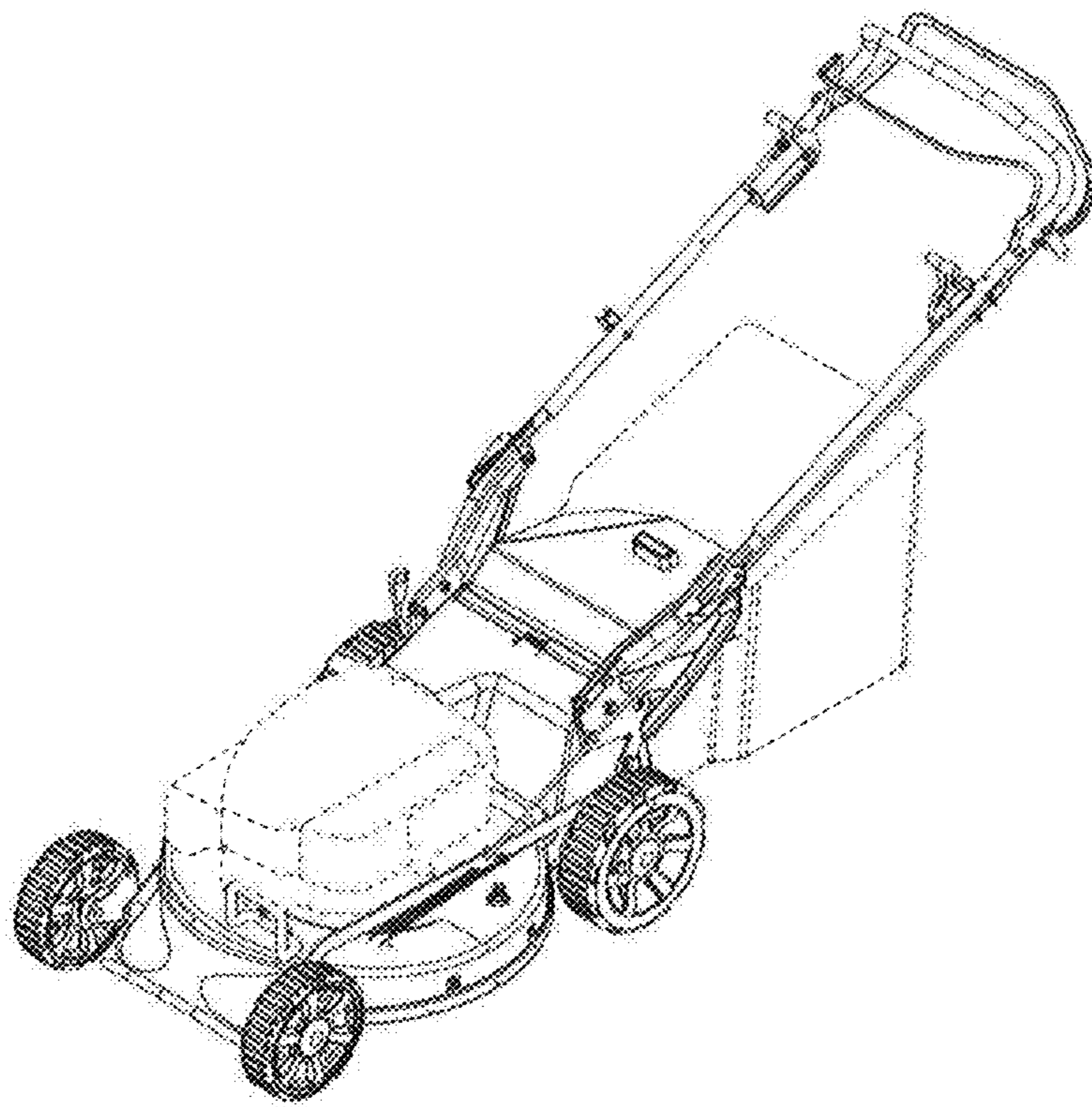
FIG. 5 is a right side elevational view of FIG. 1;

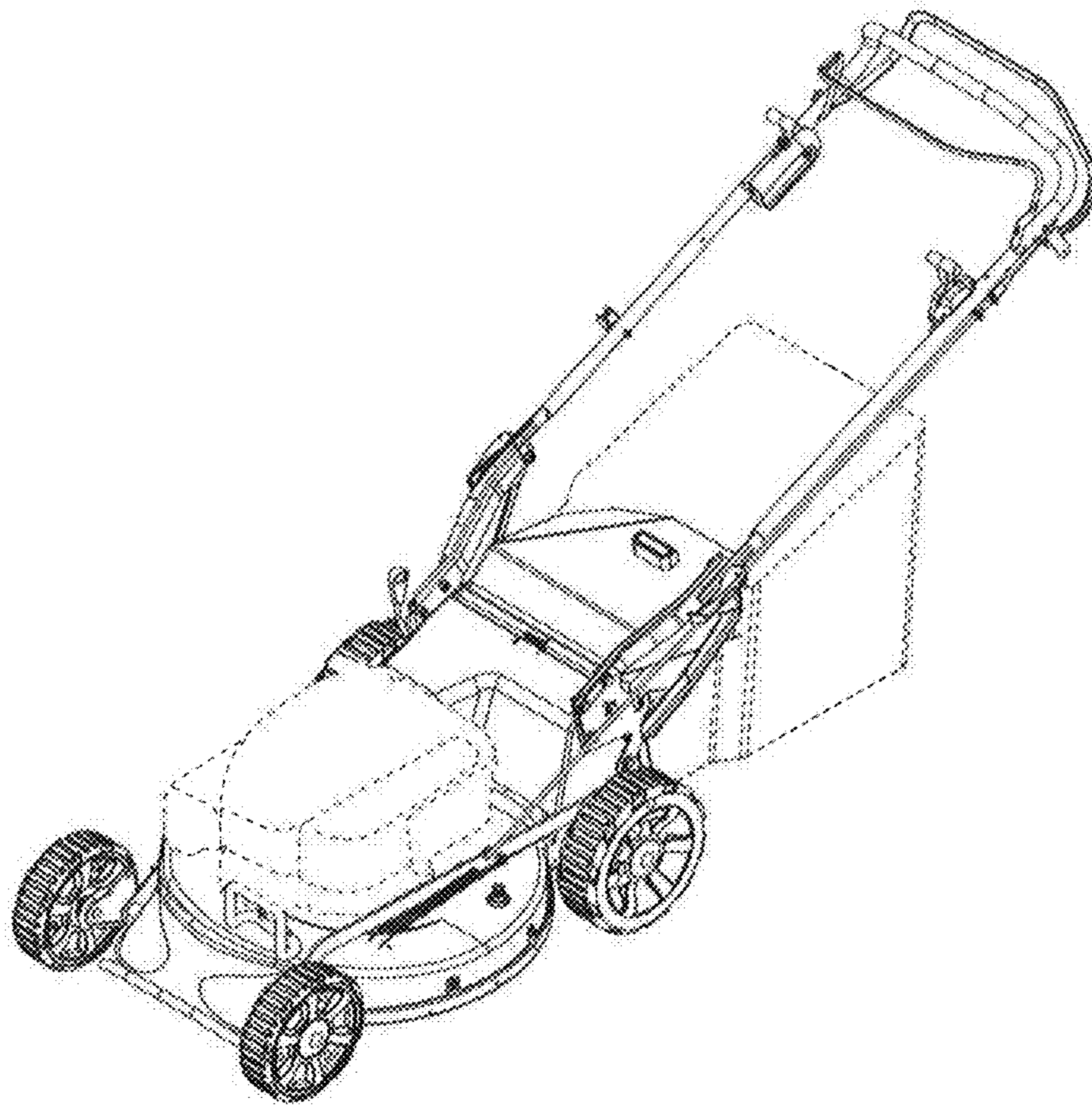
FIG. 6 is a left side elevational view of FIG. 1; and,

FIG. 7 is a top plan view of FIG. 1.

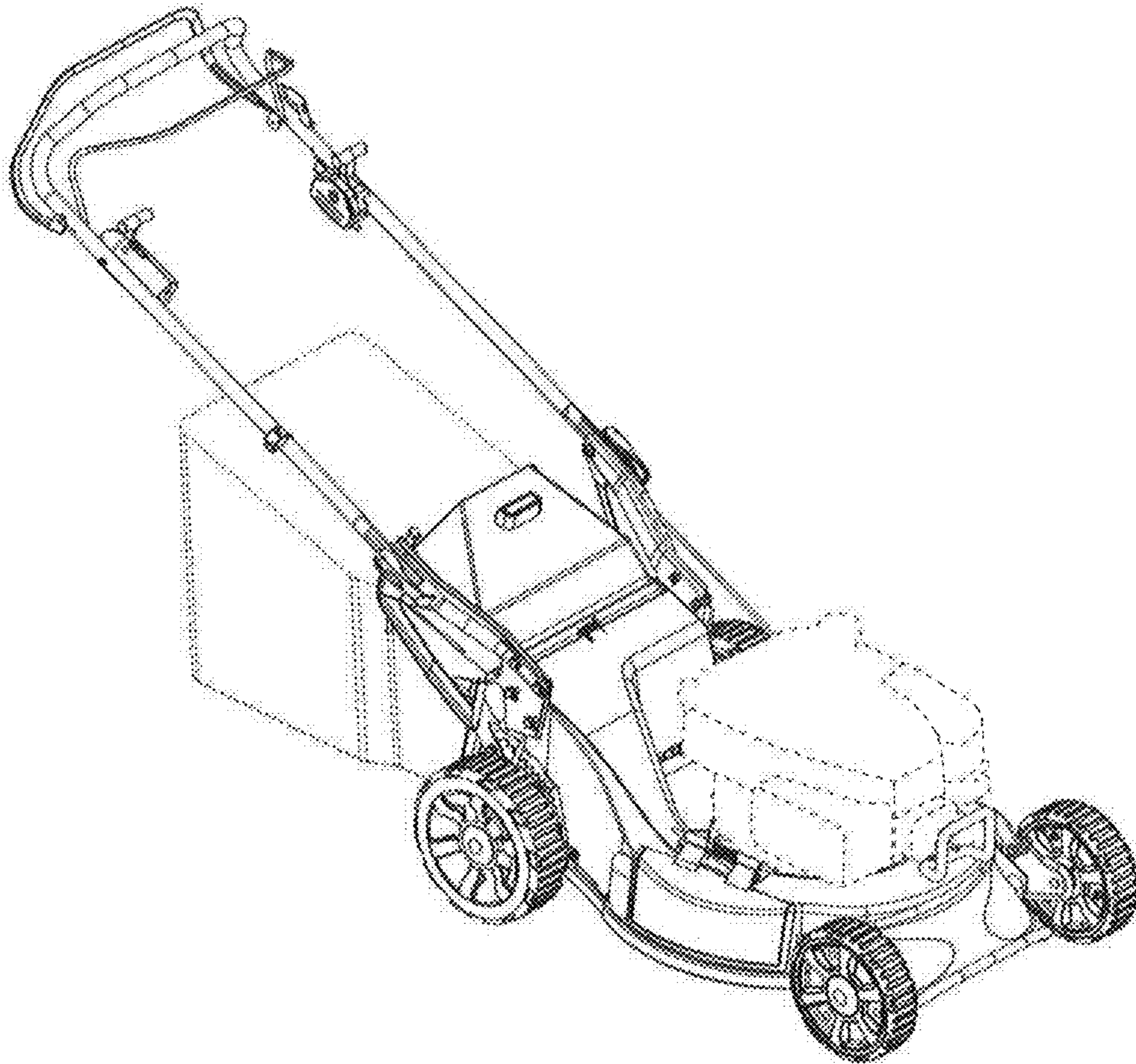
The broken lines illustrate portions of the lawn mower that form no part of the claimed design.

**1 Claim, 7 Drawing Sheets**





**FIGURE 1**



**FIGURE 2**

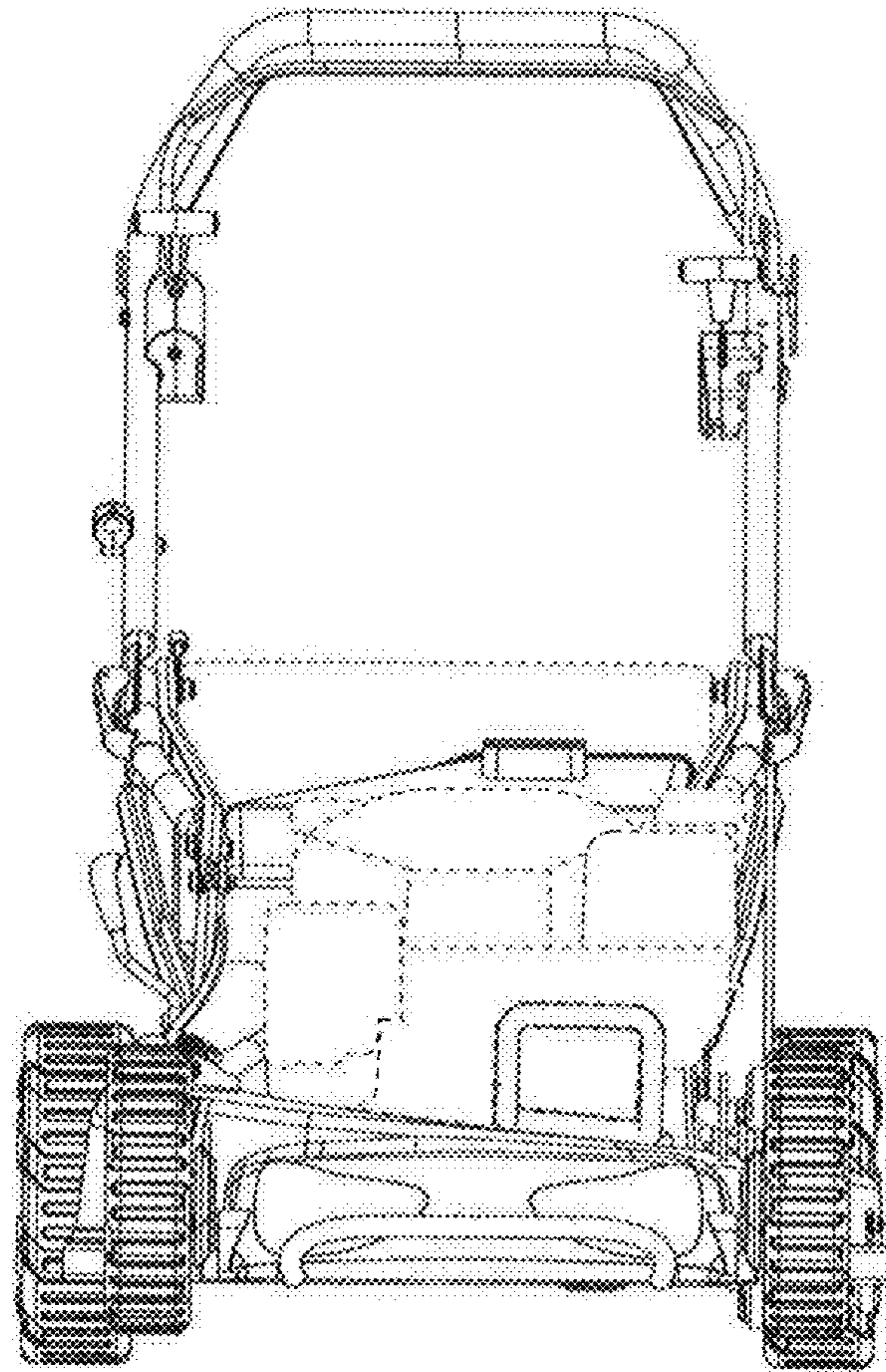


FIGURE 3

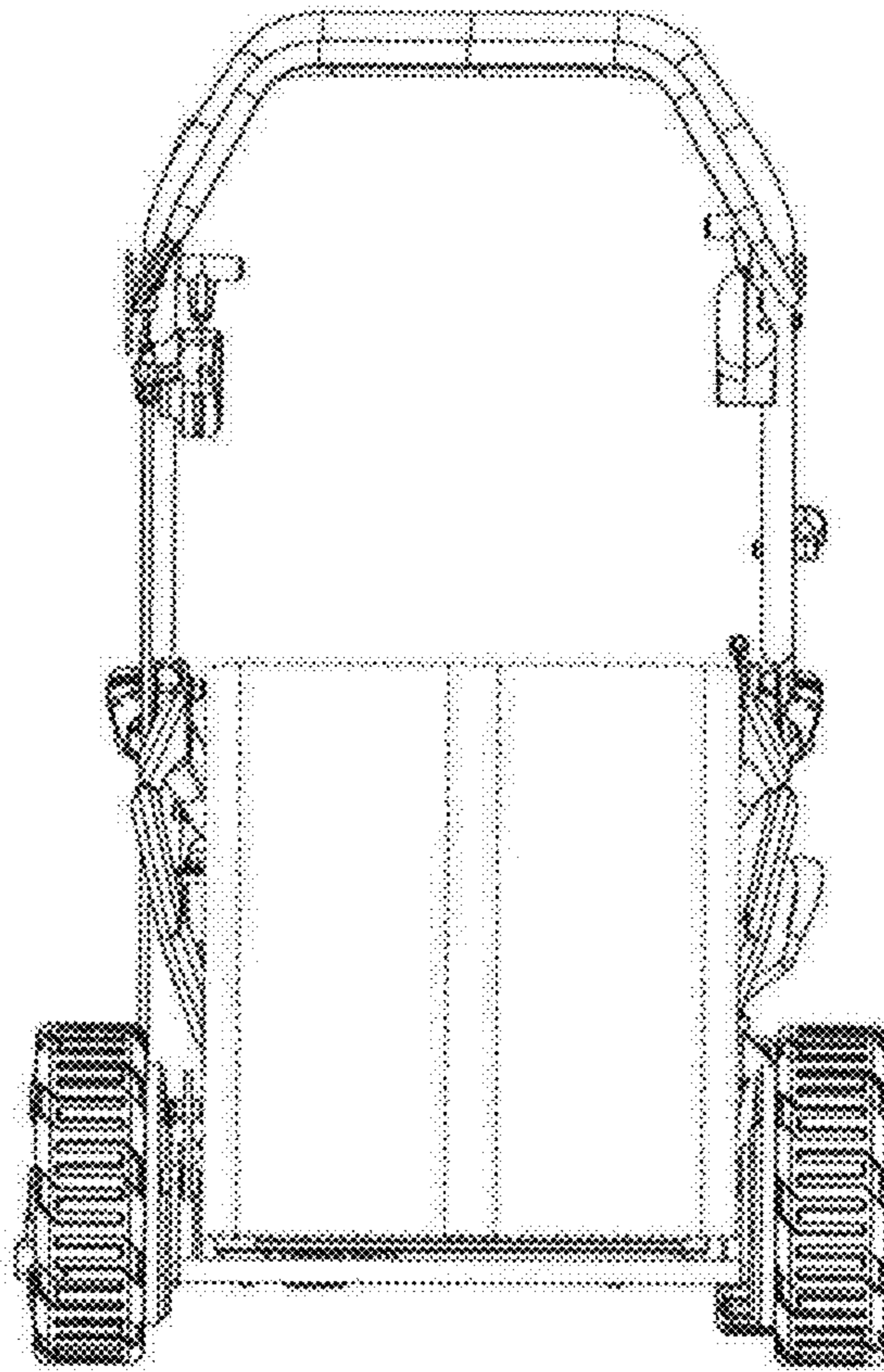


FIGURE 4

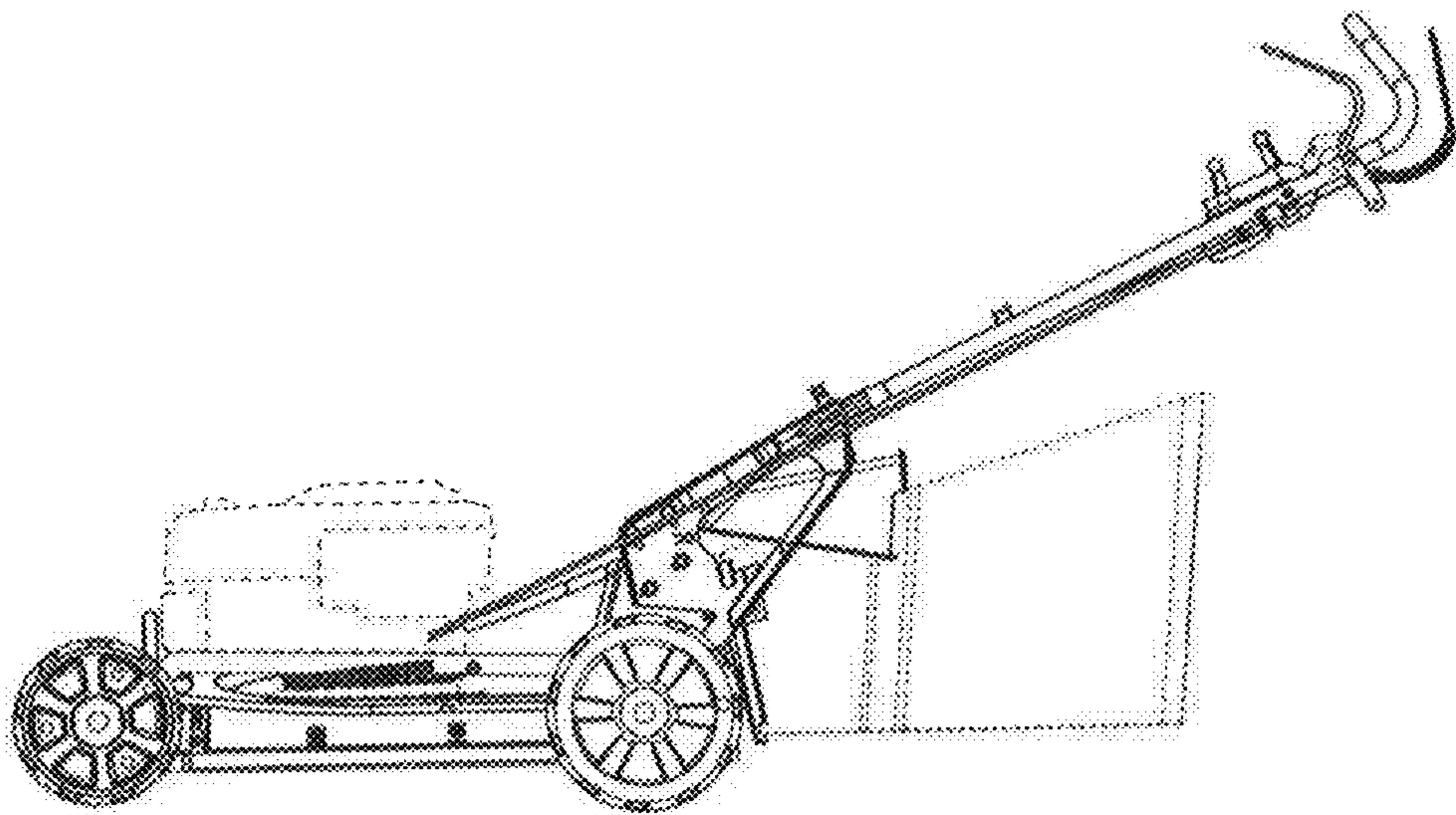


FIGURE 5

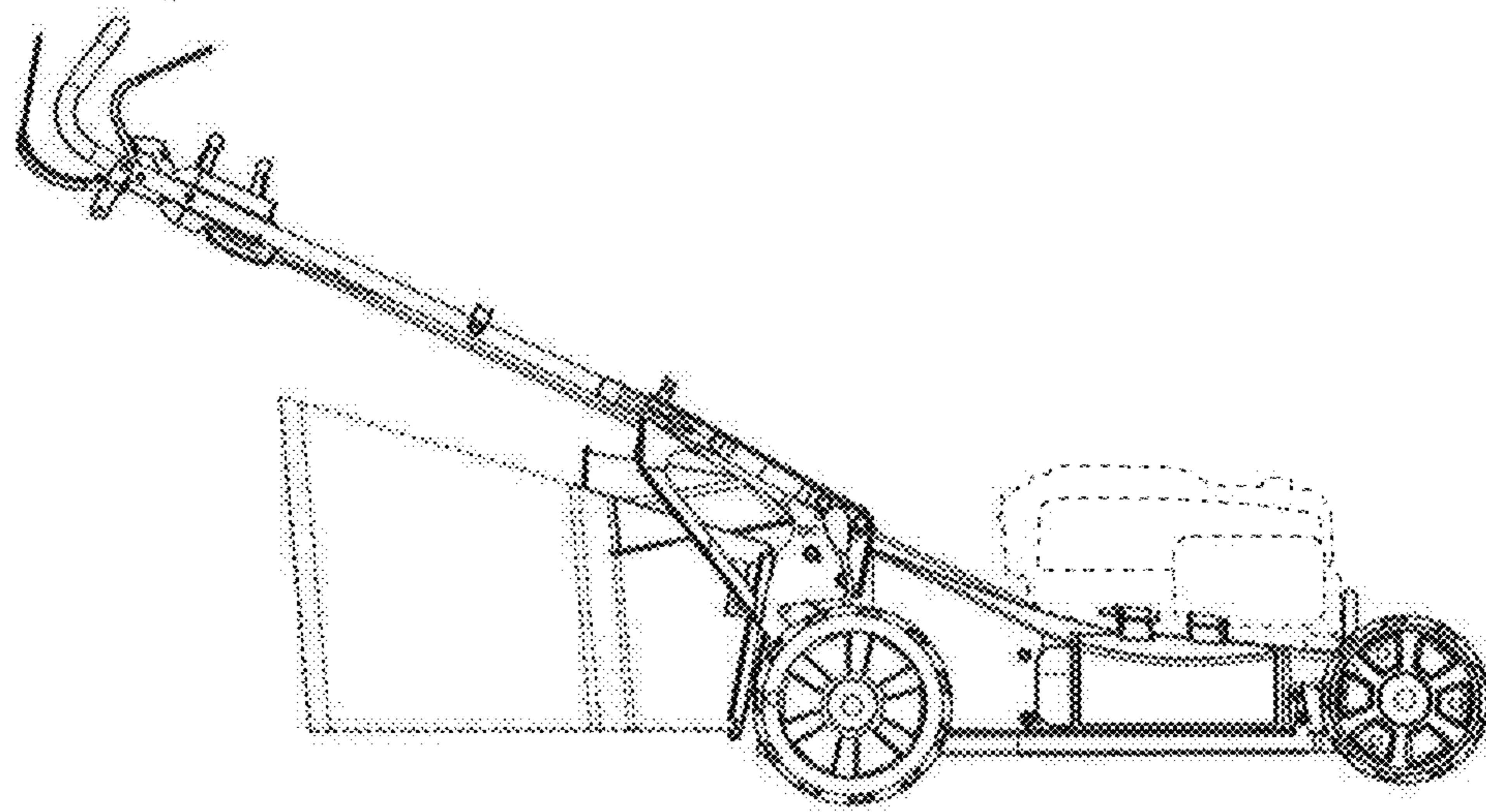


FIGURE 6

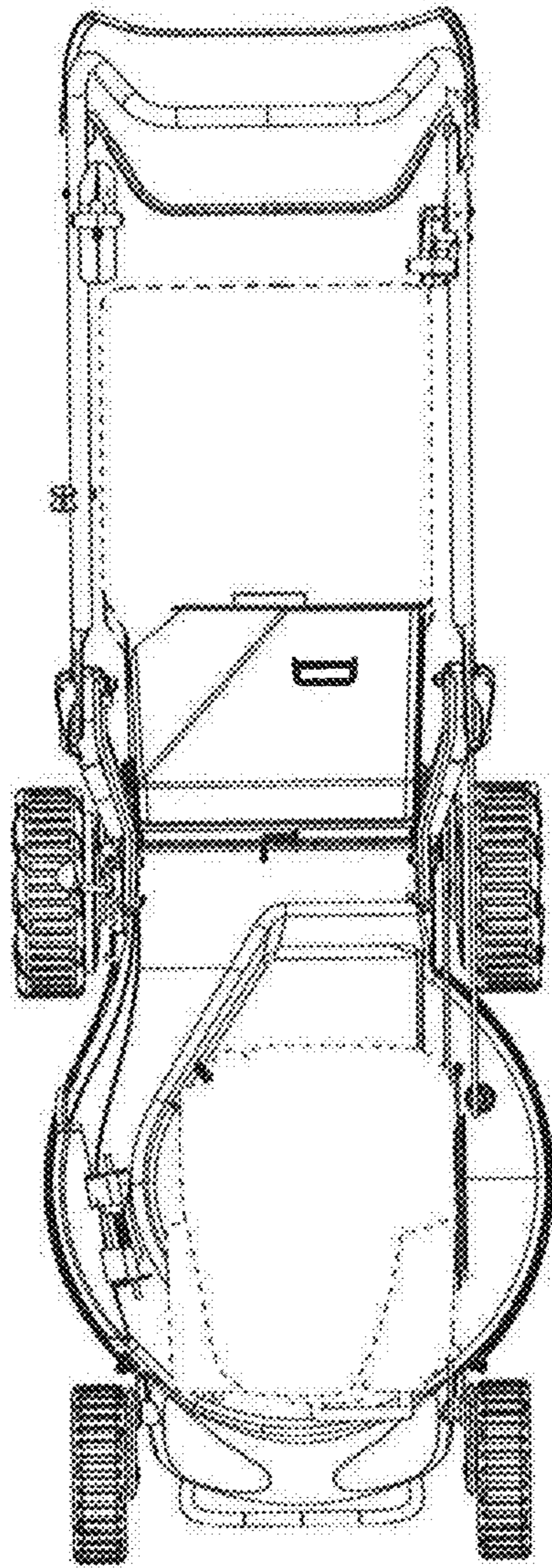


FIGURE 7